



US00D589662S

(12) **United States Design Patent**
Dammkoehler et al.

(10) **Patent No.:** **US D589,662 S**
(45) **Date of Patent:** **** Mar. 31, 2009**

(54) **SWEEPING MACHINE**

(75) Inventors: **Denis Dammkoehler**, Backnang (DE);
Christian Rummel, Benningen (DE)

(73) Assignee: **Alfred Kaercher GmbH & Co. KG**,
Winnenden (DE)

(**) Term: **14 Years**

(21) Appl. No.: **29/301,221**

(22) Filed: **Feb. 15, 2008**

(30) **Foreign Application Priority Data**

Aug. 16, 2007 (EM) 000775077

(51) **LOC (9) Cl.** **15-05**

(52) **U.S. Cl.** **D32/16**

(58) **Field of Classification Search** D32/1,
D32/15-16; 15/320-322, 353, 327.1, 327.6,
15/49.1

See application file for complete search history.

(56) **References Cited**

U.S. PATENT DOCUMENTS

D329,311	S	*	9/1992	Knowlton et al.	D32/16
D376,227	S	*	12/1996	Knowlton et al.	D32/16
D382,383	S	*	8/1997	Knowlton et al.	D32/16
D391,699	S	*	3/1998	Creecy	D32/16
5,881,417	A	*	3/1999	Knowlton	15/52.1
6,108,859	A	*	8/2000	Burgoon	15/320
6,357,070	B1	*	3/2002	Venard et al.	15/50.1
6,442,789	B1	*	9/2002	Legatt et al.	15/320
D536,844	S	*	2/2007	Pedlar	D32/16

OTHER PUBLICATIONS

Extract from catalog of Alfred Kaercher GmbH & Co. KG, "Catalogue 2001/2002", cover, pp. 40-45, 56 and last page (Jun. 2001).

Extract from catalog of Alfred Kaercher GmbH & Co. KG, "Programme 2002", cover, pp. 87-90, 92-99, 121 and last page (Feb. 2002).

Extract from catalog of Alfred Kaercher GmbH & Co. KG, "Programme 2003", cover, pp. 154, 177, 179-184, 186, 188, 190, 192 and last page (Dec. 2002).

Extract from catalog of Alfred Kaercher GmbH & Co. KG, "Programme 2004", cover, pp. 192-193, 221-223, 225-231, 233, 235 and last page (Feb. 2004).

Extract from catalog of Alfred Kaercher GmbH & Co. KG, "Programme 2005", cover, pp. 180-183, 208-209, 211-219 and last page (Dec. 2004).

Extract from catalog of Alfred Kaercher GmbH & Co. KG, "Programme 2006", cover, pp. 190-193, 226-237 and last page (Dec. 2005).

* cited by examiner

Primary Examiner—Louis S Zarfaz

Assistant Examiner—Kathleen M Sims

(74) *Attorney, Agent, or Firm*—Lipsitz & McAllister, LLC

(57) **CLAIM**

The ornamental design for sweeping machine, as shown and described.

DESCRIPTION

FIG. 1 is a front, top and left side perspective view showing the design;

FIG. 2 is a front elevational view of the design;

FIG. 3 is a front, top and right side perspective view showing the design;

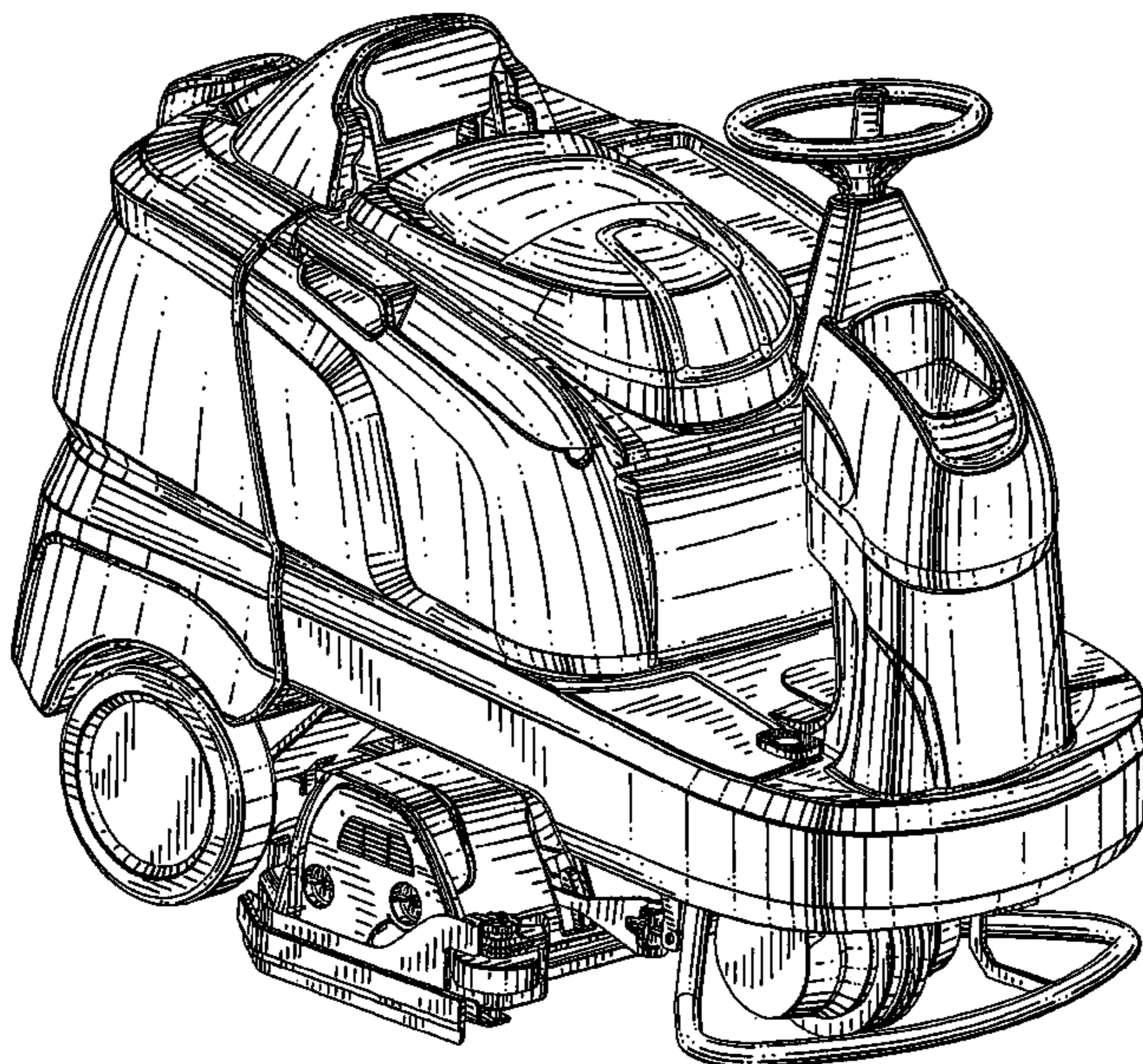
FIG. 4 is a right side elevational view of the design;

FIG. 5 is a rear elevational view of the design;

FIG. 6 is a left side elevational view of the design; and,

FIG. 7 is a top plan view of the design.

1 Claim, 7 Drawing Sheets



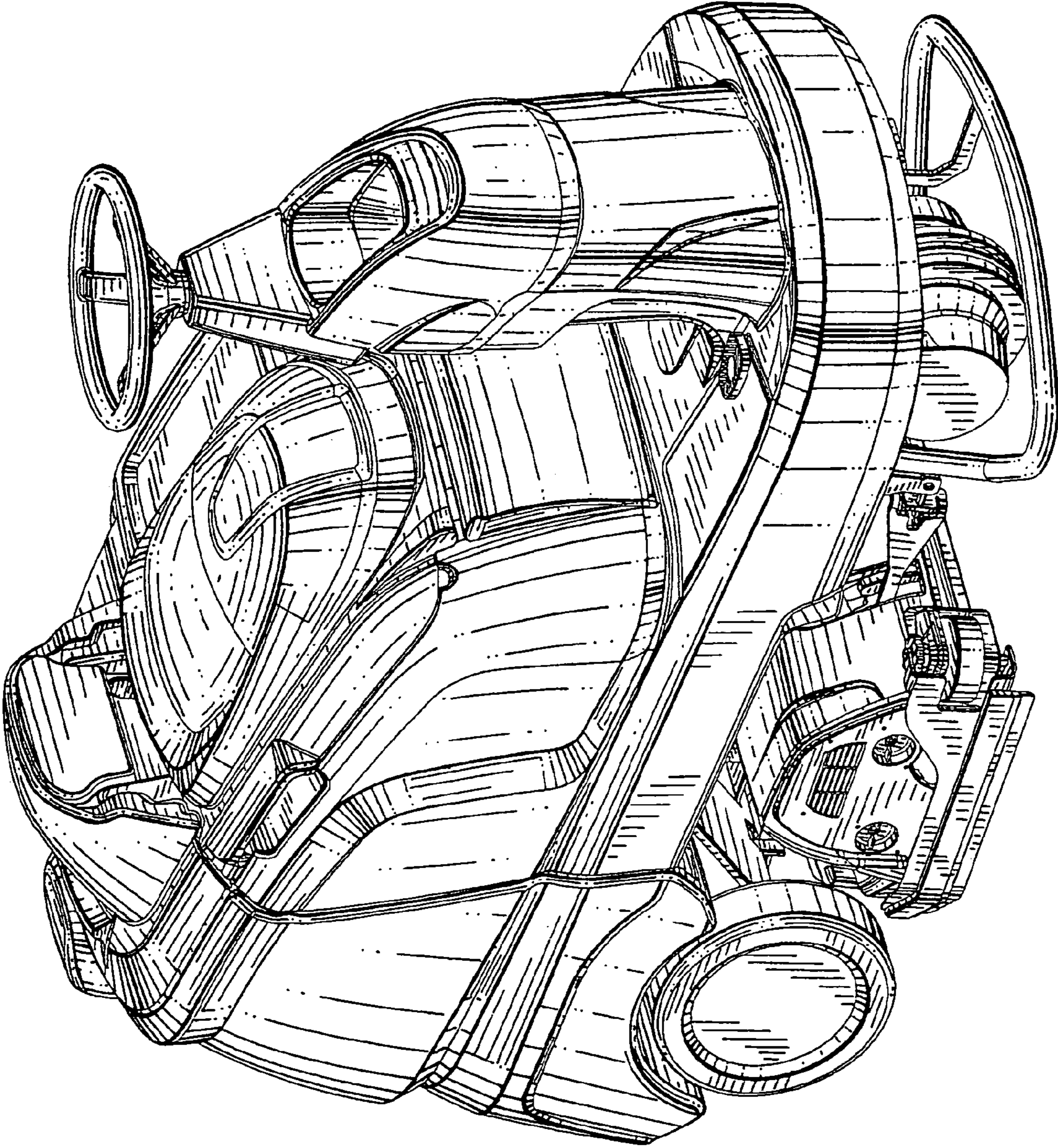


FIG. 1

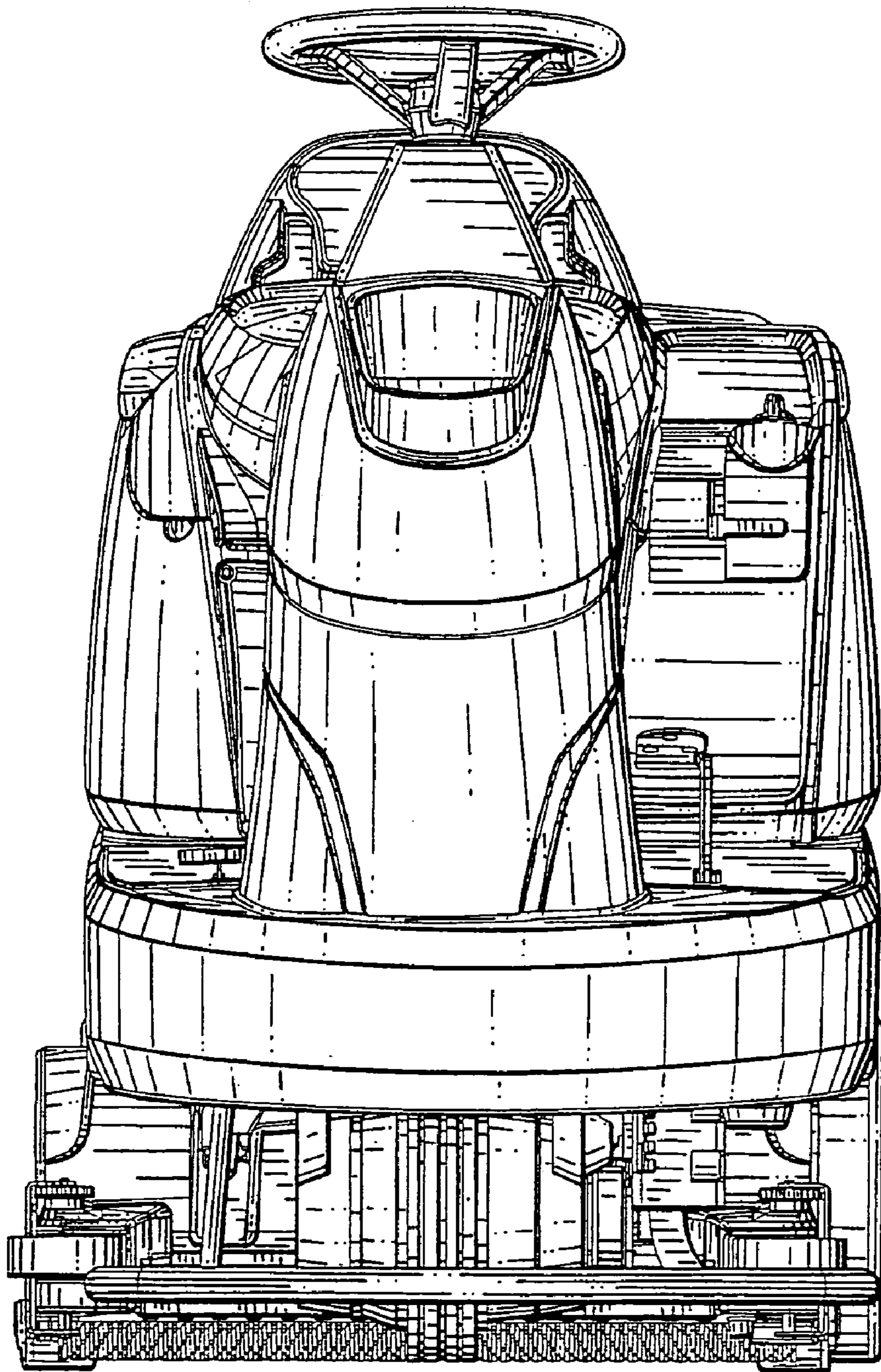


FIG.2

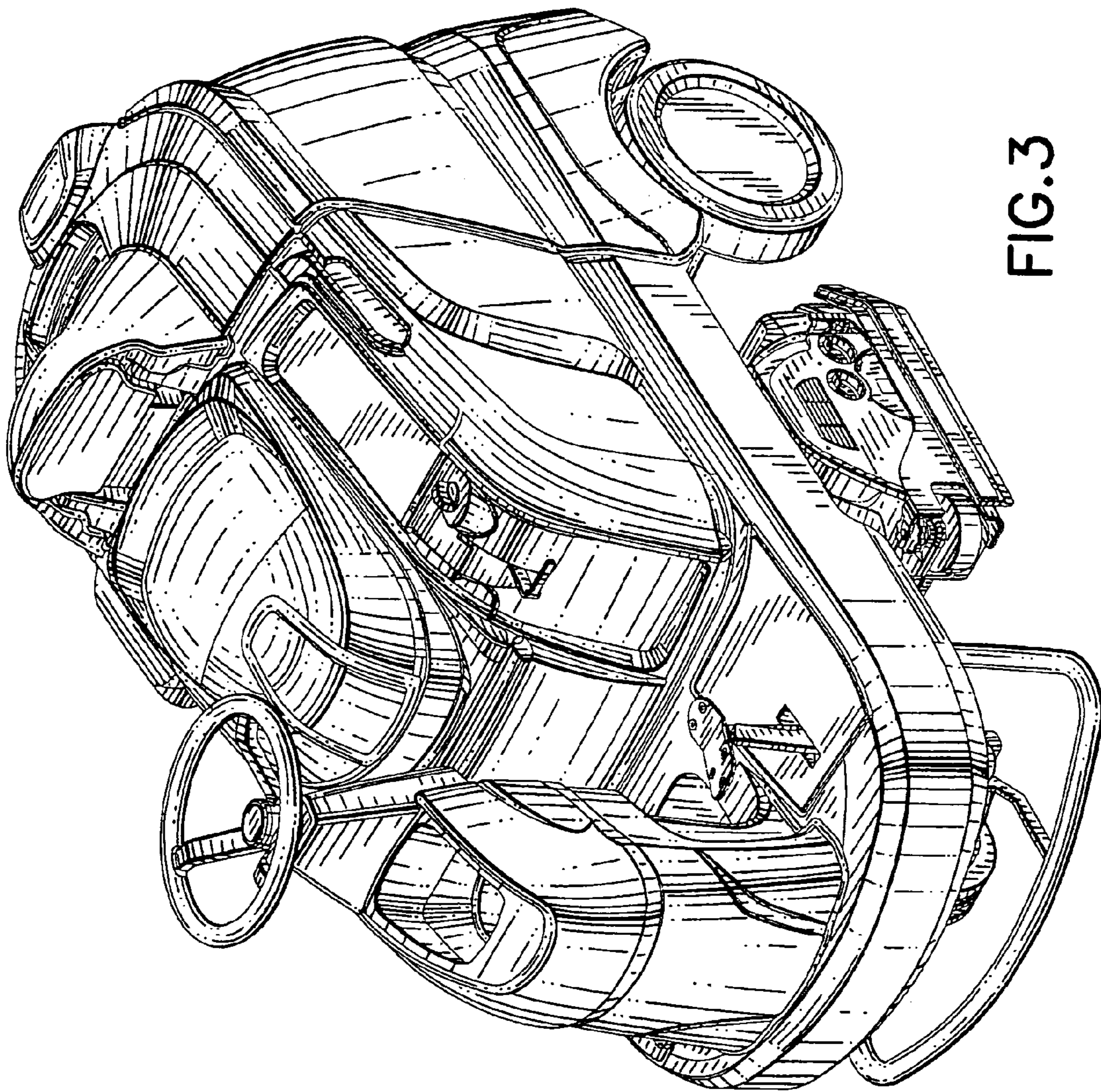


FIG.3

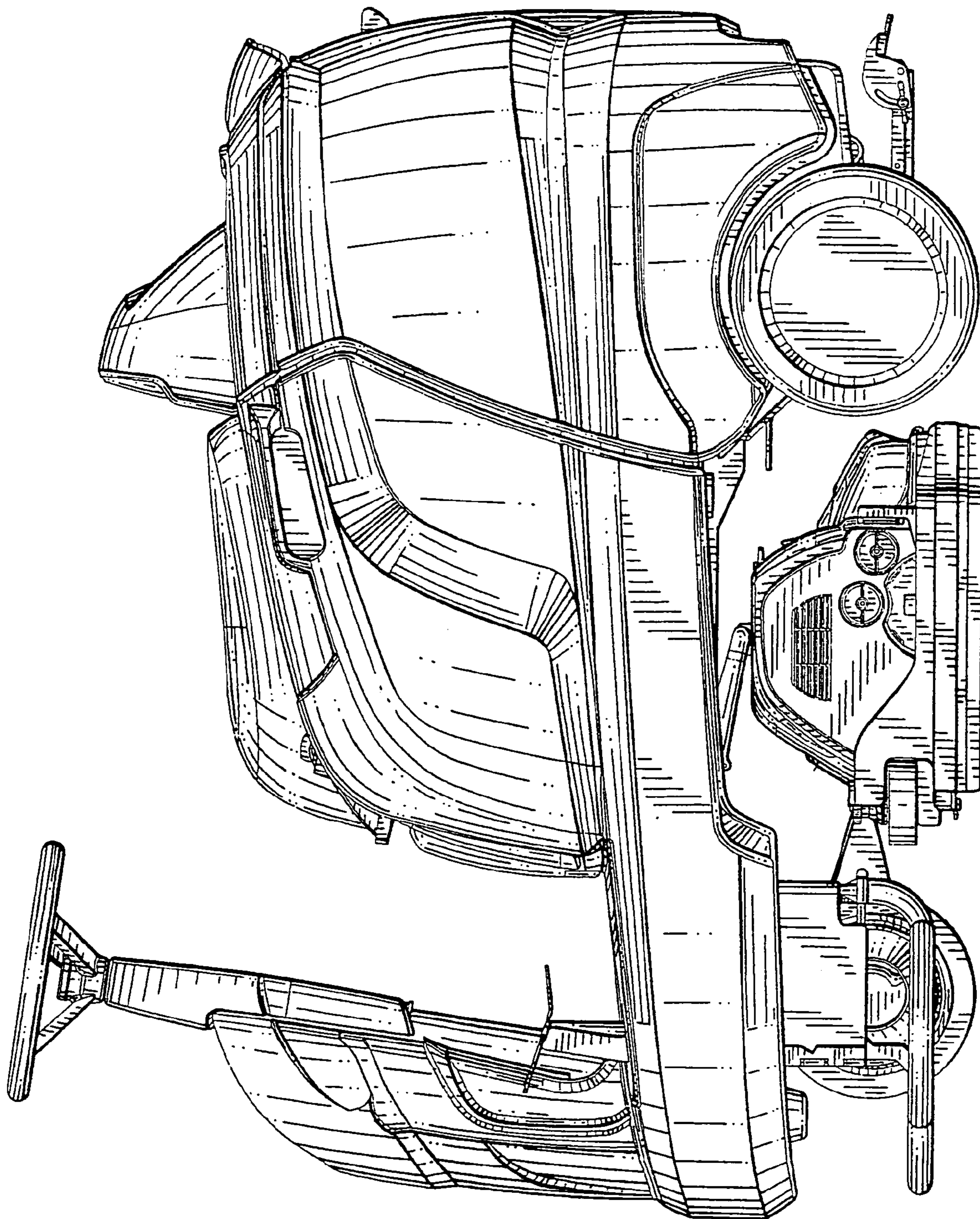


FIG. 4

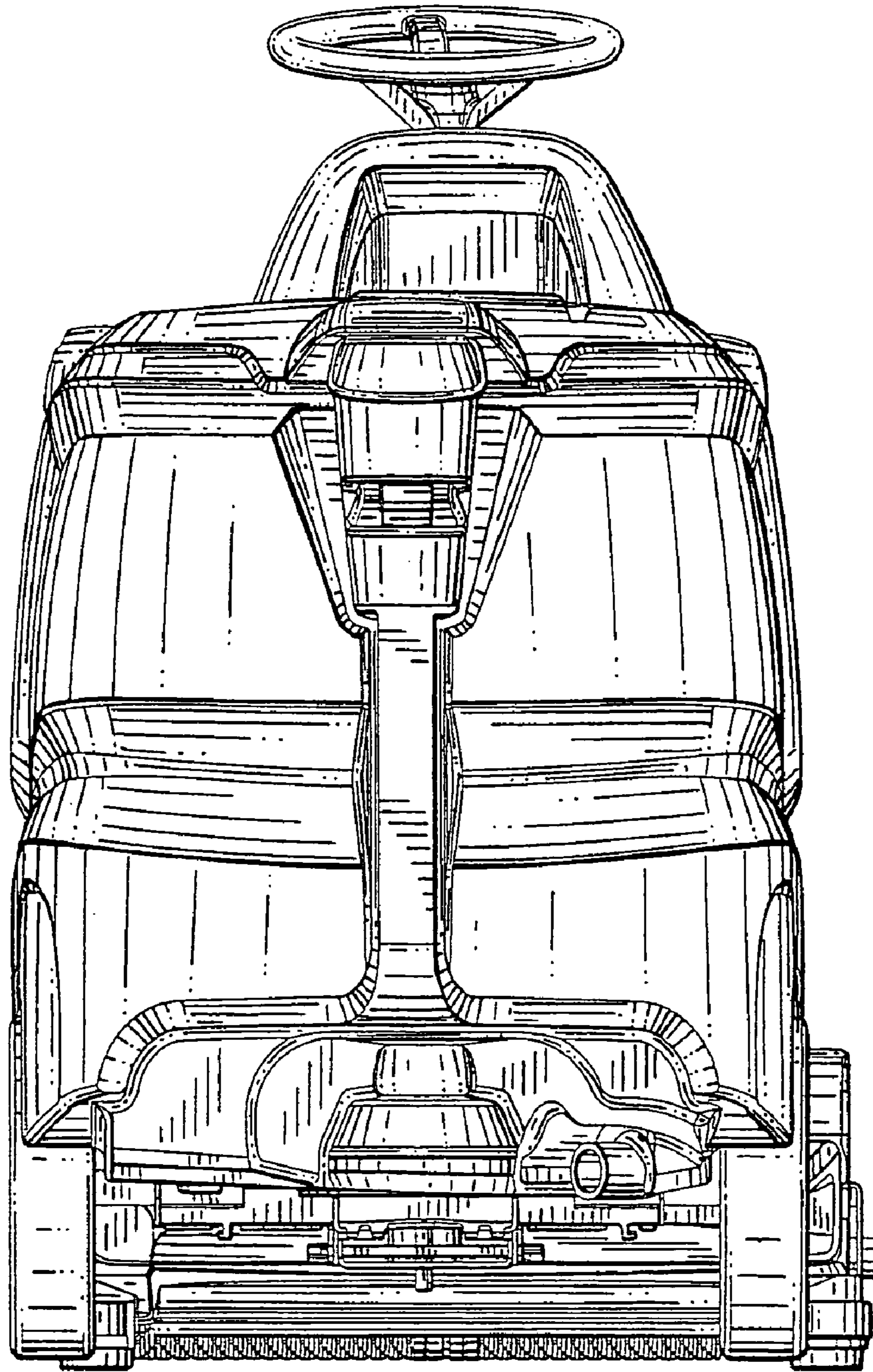


FIG.5

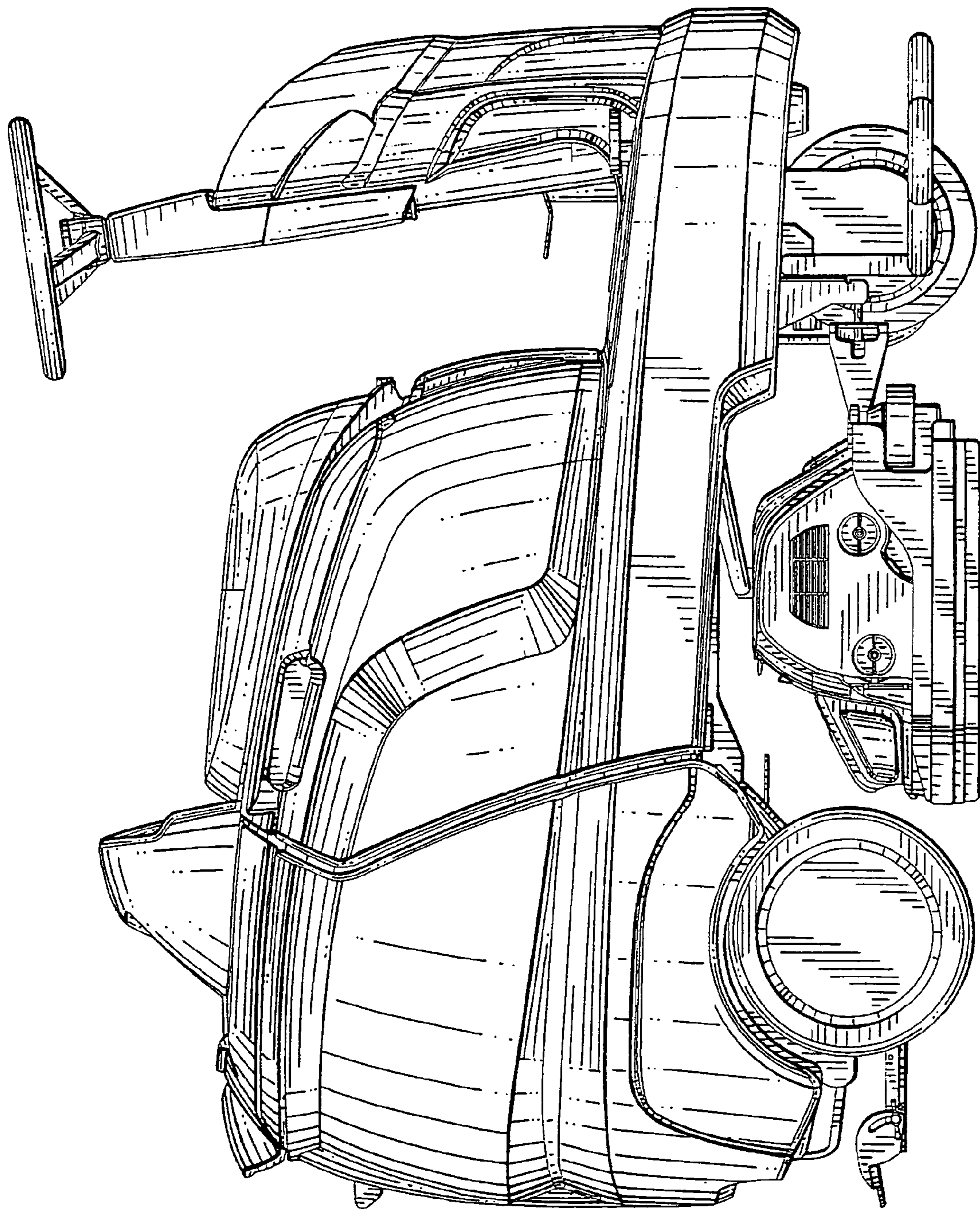


FIG. 6

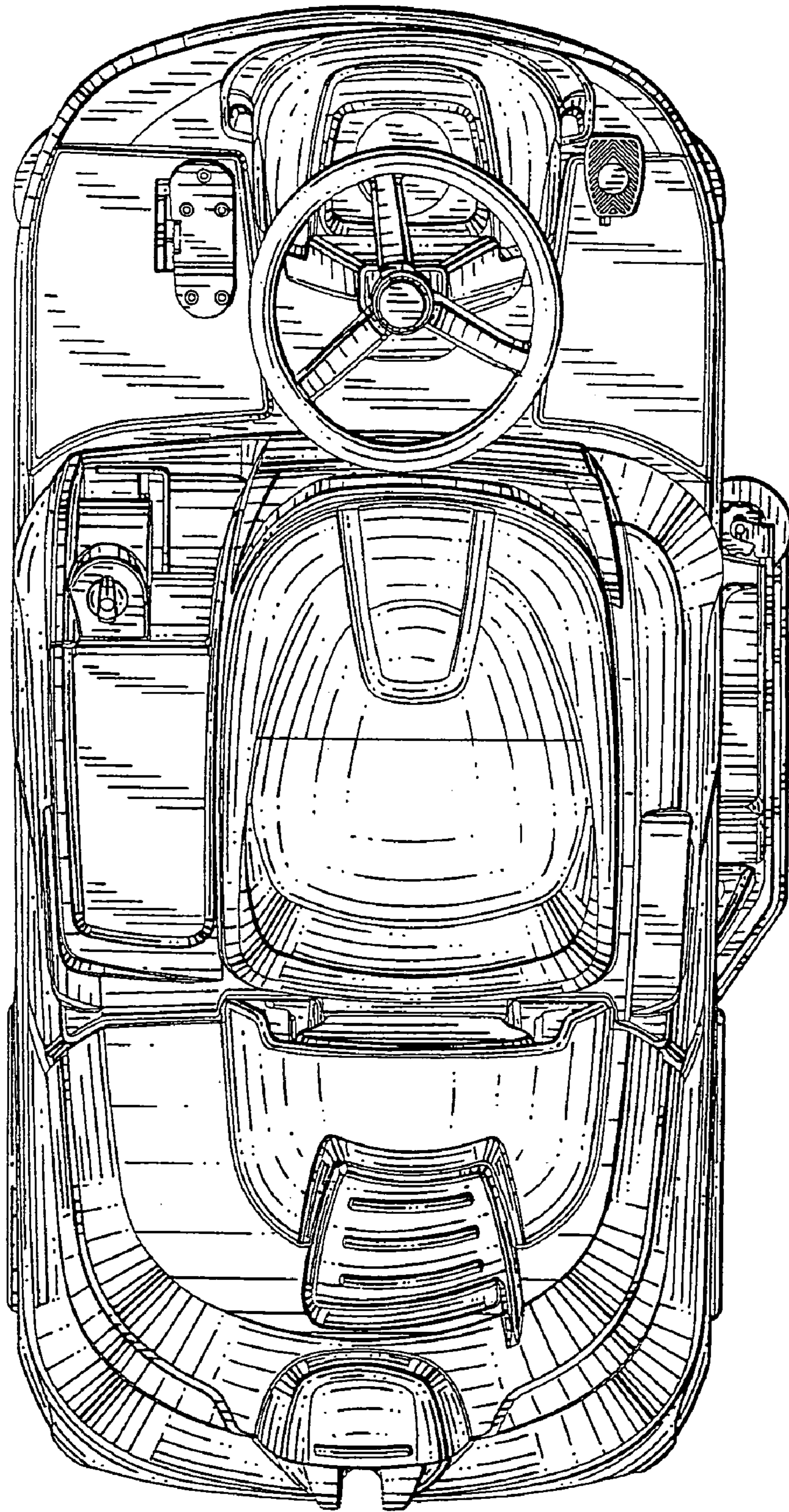


FIG. 7