



US00D589661S

(12) **United States Design Patent**
Oh et al.

(10) **Patent No.:** **US D589,661 S**
(45) **Date of Patent:** **** Mar. 31, 2009**

(54) **DRUM WASHING MACHINE**

(75) Inventors: **Se Hun Oh**, Kyungki-do (KR); **Hyung Jun Kim**, Seoul (KR); **Yeon Young Nam**, Seoul (KR)

(73) Assignee: **Samsung Electronics Co., Ltd.**, Suwon (KR)

(**) Term: **14 Years**

(21) Appl. No.: **29/294,659**

(22) Filed: **Jan. 22, 2008**

(51) **LOC (9) Cl.** **15-05**

(52) **U.S. Cl.** **D32/6**

(58) **Field of Classification Search** D32/5,
D32/6, 8, 1, 9; 34/87-88, 523-524; 68/12.01,
68/12.08, 3 R, 5 R; 312/31
See application file for complete search history.

(56) **References Cited**

U.S. PATENT DOCUMENTS

D517,257 S *	3/2006	Kim et al.	D32/6
D520,686 S *	5/2006	Jeon et al.	D32/6
D549,900 S *	8/2007	Kim et al.	D32/6
D550,907 S *	9/2007	Jeon et al.	D32/6
D559,479 S *	1/2008	Kwon et al.	D32/6
D559,480 S *	1/2008	Kwon et al.	D32/6

D564,144 S *	3/2008	Kwon	D32/6
D564,145 S *	3/2008	Kim	D32/6
2007/0052332 A1 *	3/2007	Kim	312/228

OTHER PUBLICATIONS

http://us.stll.yimg.com/us.st.yimg.com/l/usappliance_1999_180139706 Apr. 18, 2008.*

* cited by examiner

Primary Examiner—T. Chase Nelson
Assistant Examiner—Kathleen M Sims

(74) *Attorney, Agent, or Firm*—Ladas & Parry LLP

(57) **CLAIM**

We claim the ornamental design for a drum washing machine, as shown.

DESCRIPTION

FIG. 1 is a front, right, top perspective view of a drum washing machine showing our new design;

FIG. 2 is a front elevational view thereof;

FIG. 3 is a rear elevational view thereof;

FIG. 4 is a left side elevational view thereof;

FIG. 5 is a right side elevational view thereof;

FIG. 6 is a top plan view thereof; and,

FIG. 7 is a bottom plan view thereof.

1 Claim, 7 Drawing Sheets

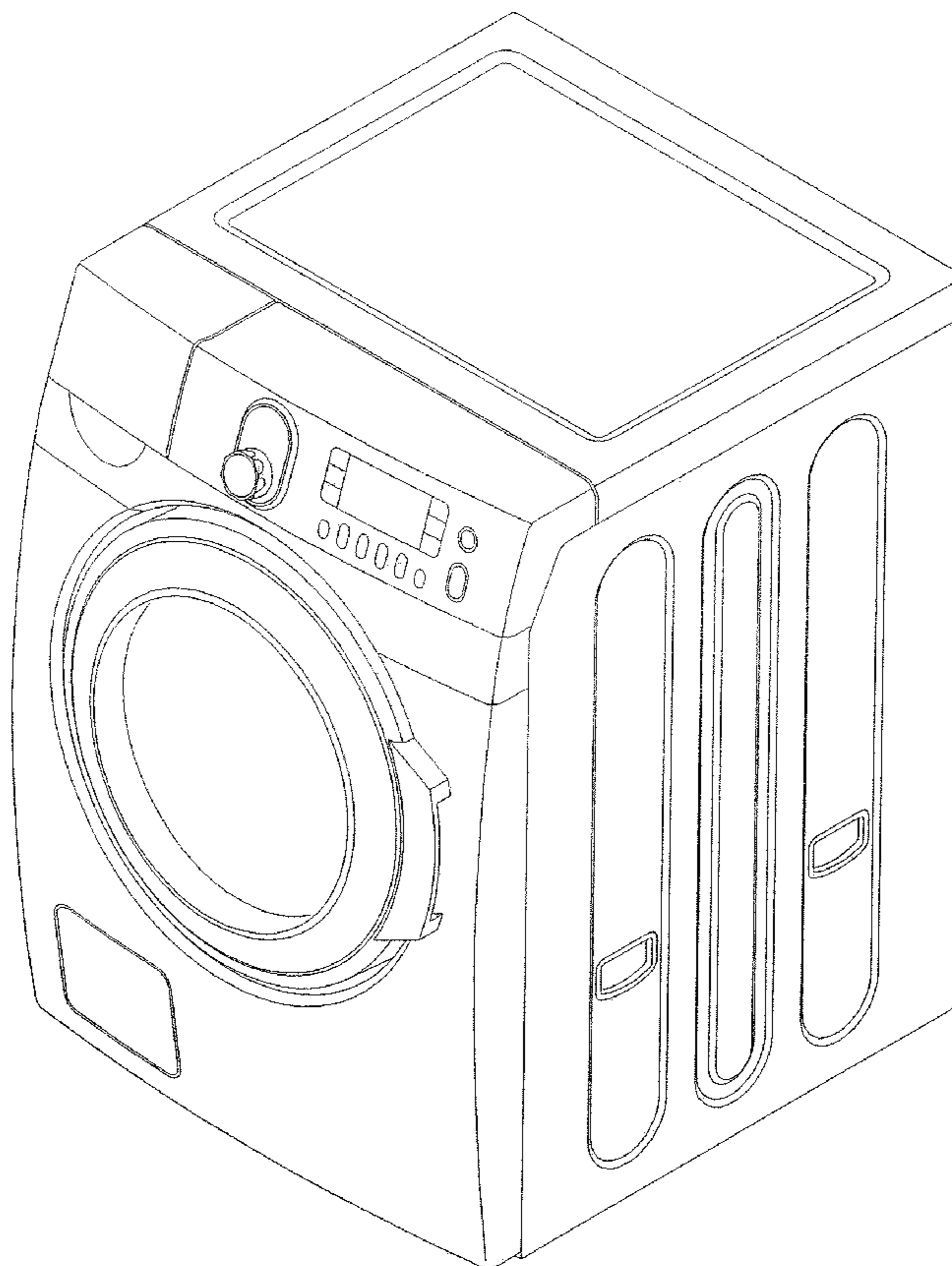


FIG. 1

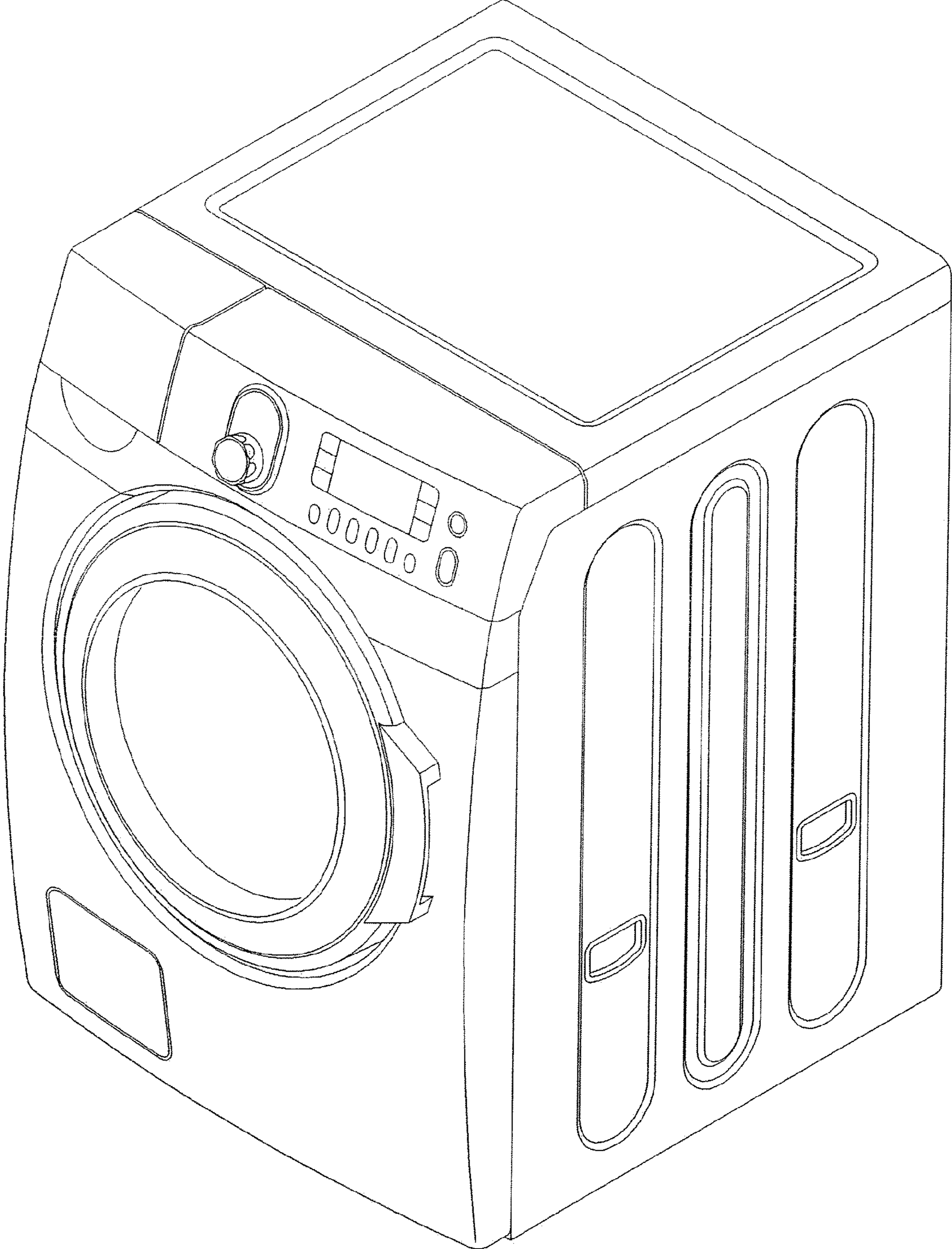


FIG. 2

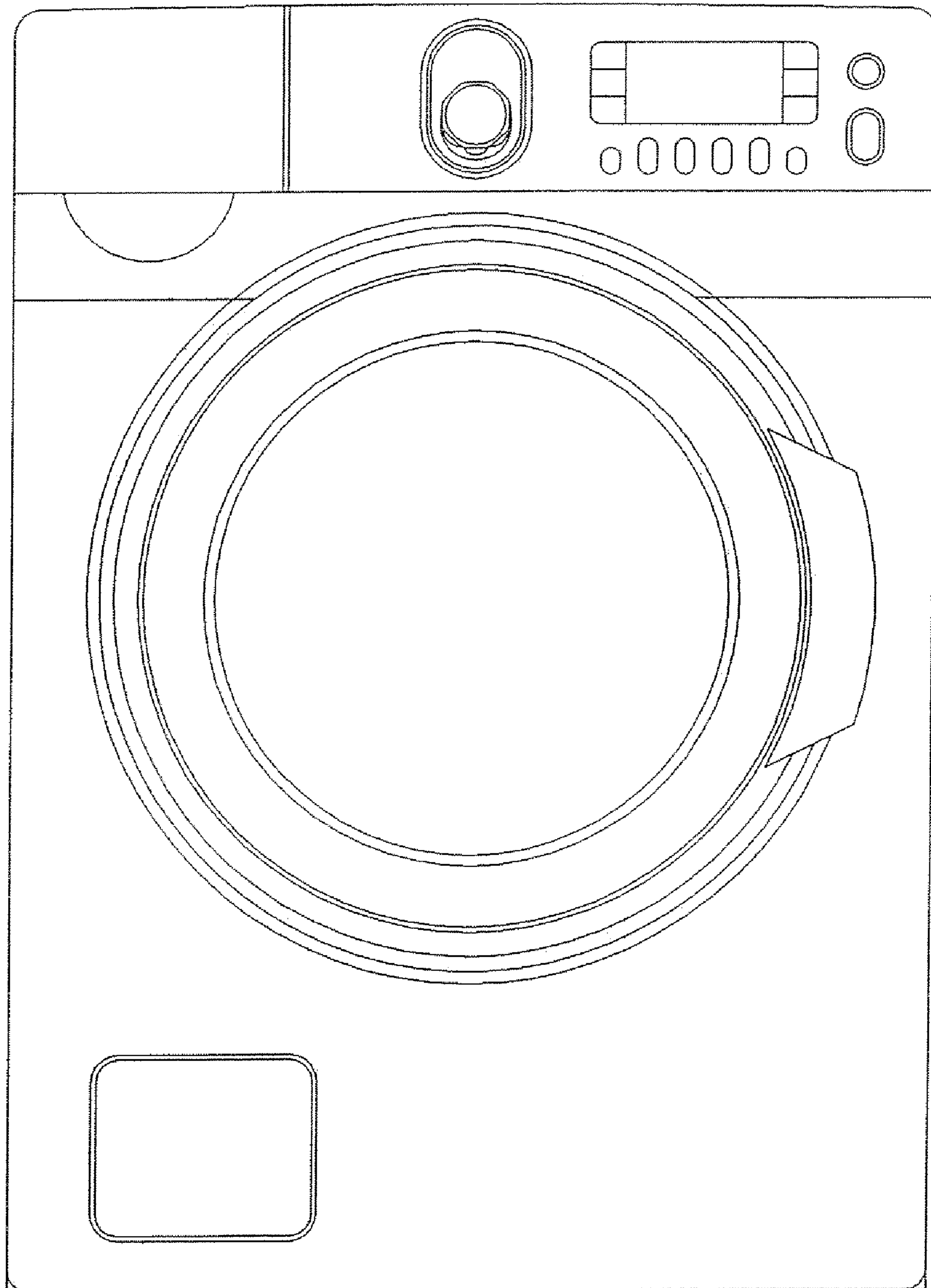


FIG. 3

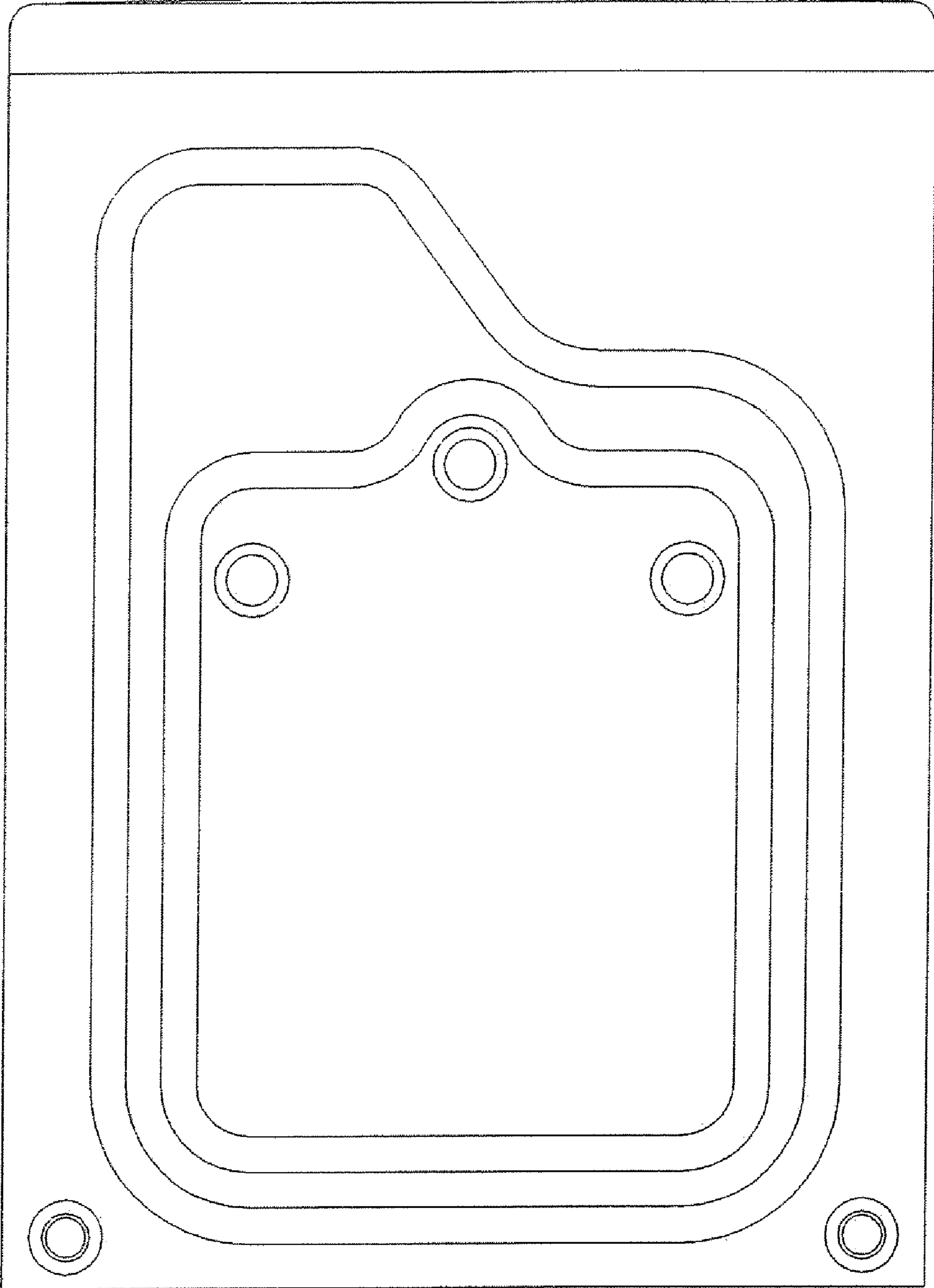


FIG. 4

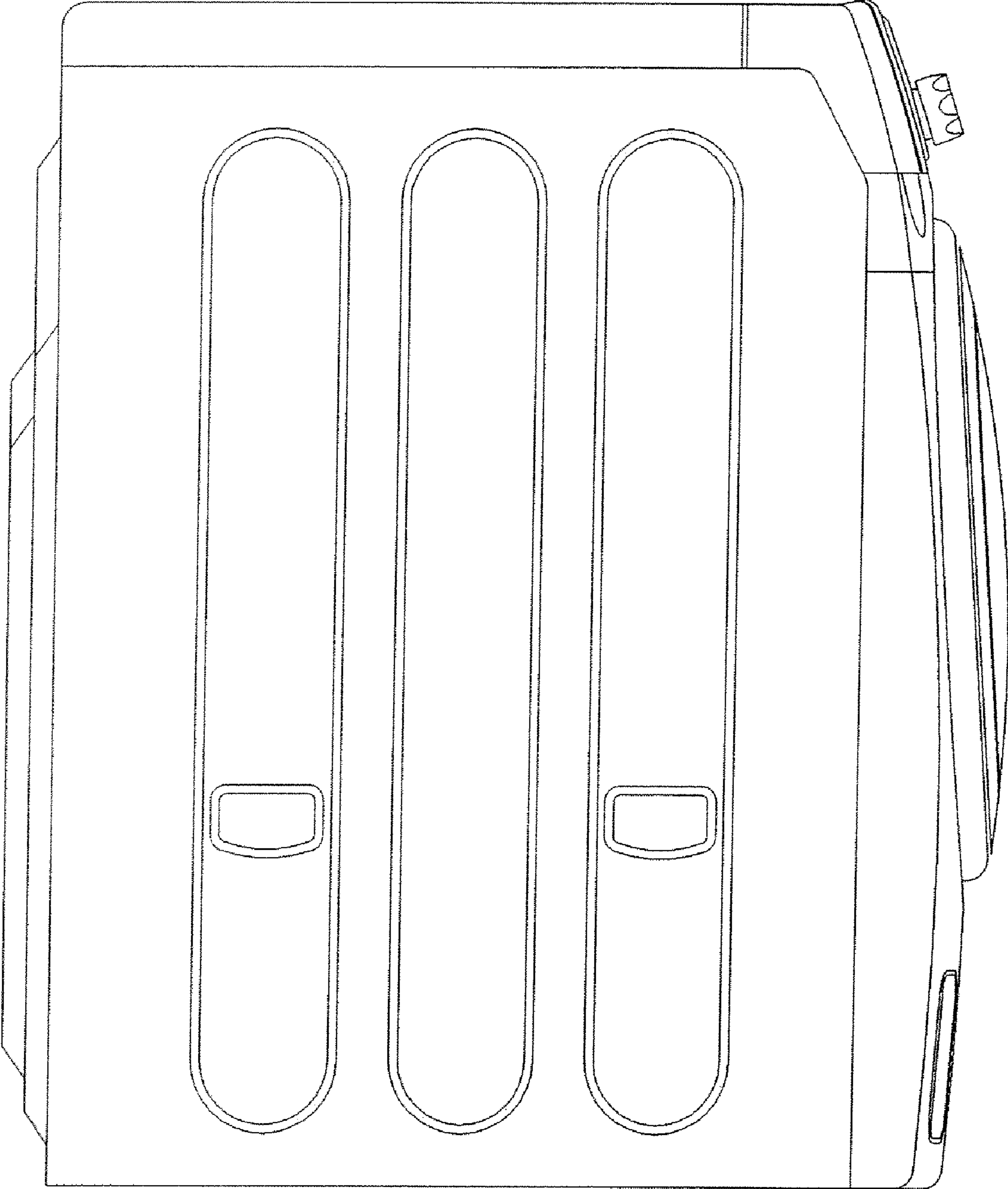


FIG. 5

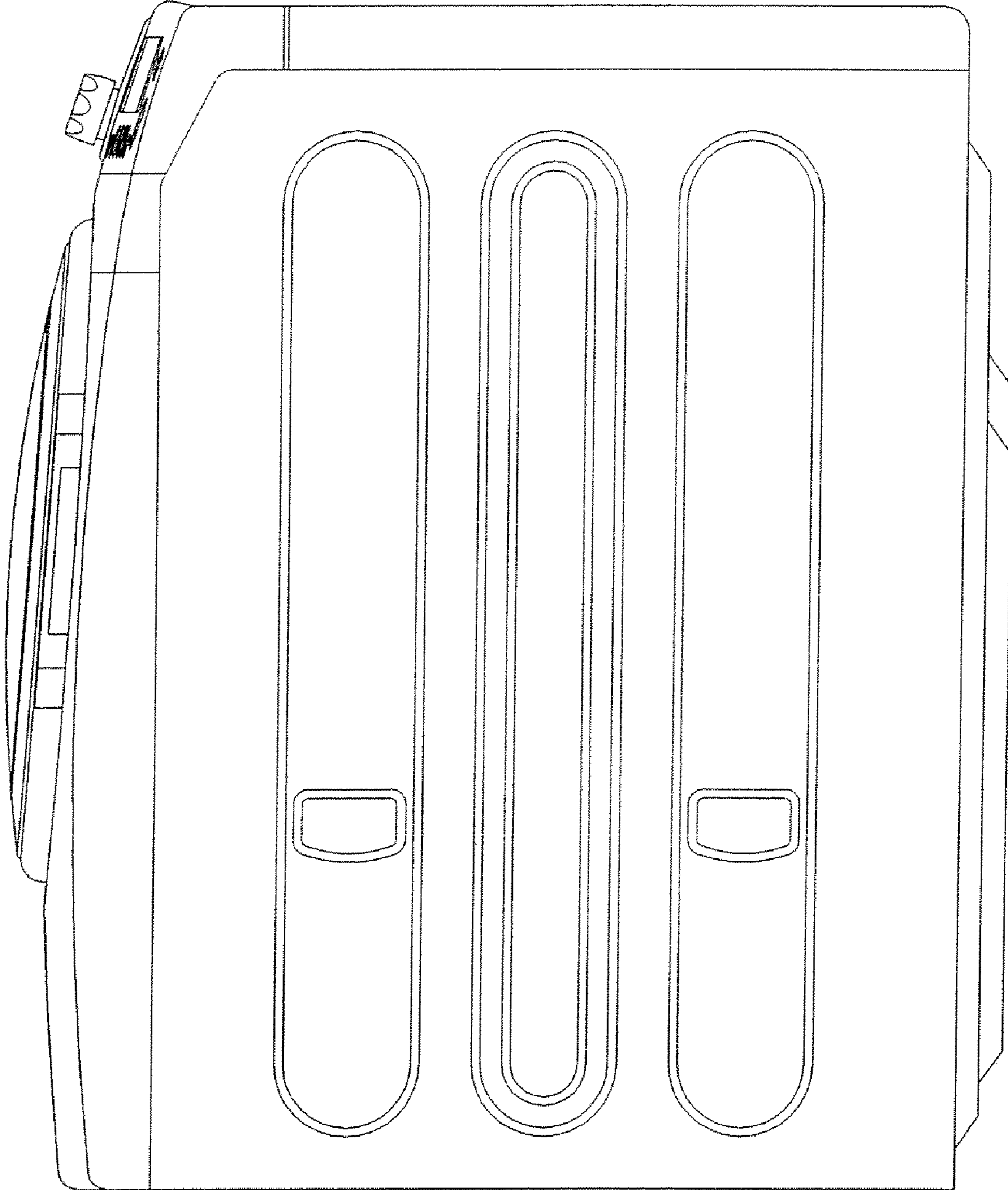


FIG. 6

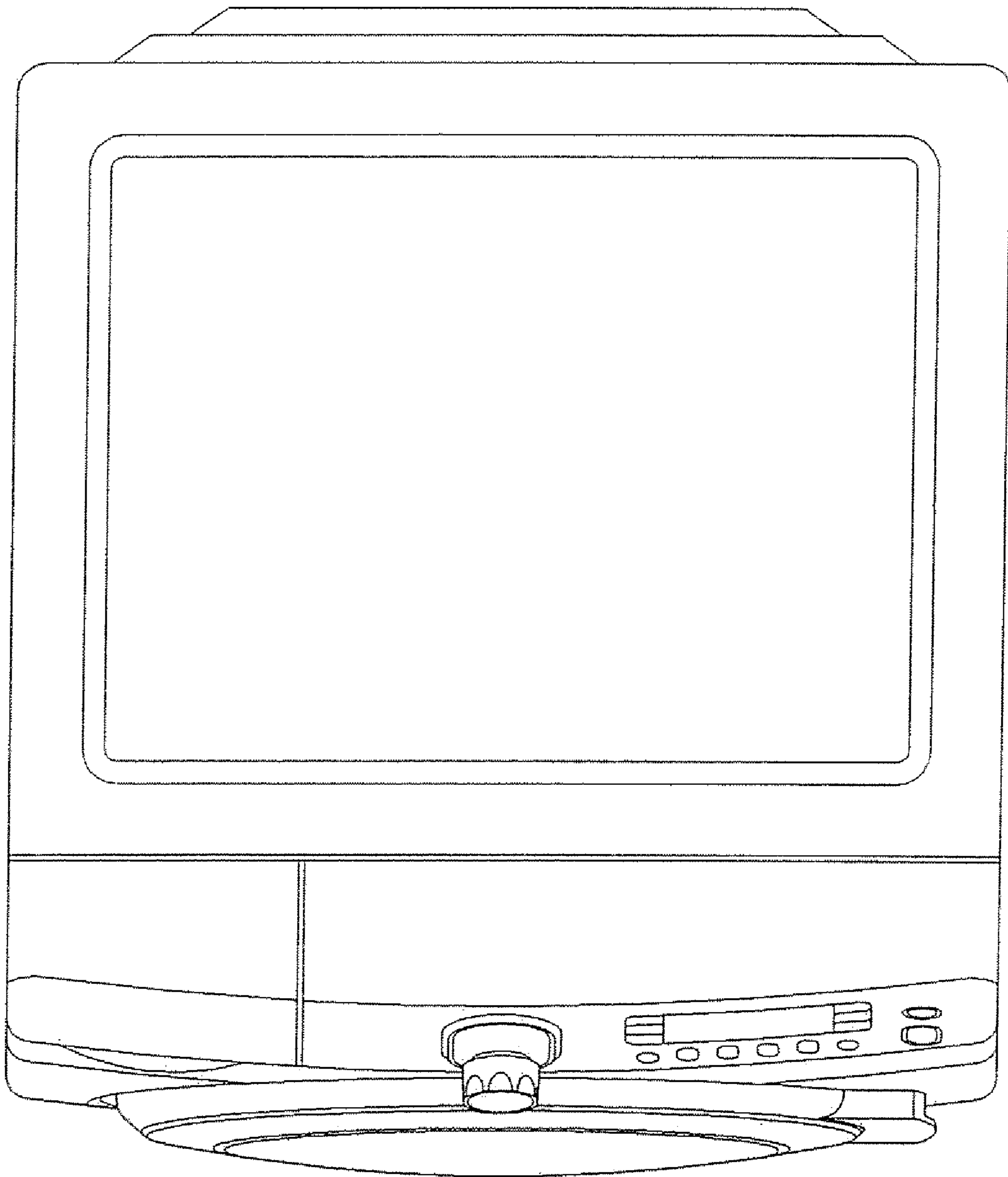


FIG. 7

