



US00D589656S

(12) **United States Design Patent**
Toltzman et al.

(10) **Patent No.:** **US D589,656 S**
(45) **Date of Patent:** **** Mar. 31, 2009**

(54) **PET BED**

(75) Inventors: **Randall Toltzman**, Scottsdale, AZ (US);
Christopher Buttenob, Scottsdale, AZ
(US); **Richard B. Shaul**, Scottsdale, AZ
(US)

(73) Assignee: **Juggernaut Designs, LLC**, Scottsdale,
AZ (US)

(**) Term: **14 Years**

(21) Appl. No.: **29/291,179**

(22) Filed: **Aug. 16, 2007**

(51) **LOC (9) Cl.** **30-06**

(52) **U.S. Cl.** **D30/118**

(58) **Field of Classification Search** D30/118;
D6/349, 377, 382, 385, 387; 119/28.5
See application file for complete search history.

(56) **References Cited**

U.S. PATENT DOCUMENTS

D127,808 S * 6/1941 McGillicuddy D30/118
D252,426 S * 7/1979 Brelsford D6/349
D387,210 S * 12/1997 Hutton D6/349
6,044,794 A * 4/2000 Raitanen et al. 119/28.5
6,591,778 B1 * 7/2003 Alderman 119/28.5

D503,552 S * 4/2005 Messier D6/349
D532,630 S * 11/2006 Rizzi D6/500
D535,444 S * 1/2007 Rahman D30/118
D548,988 S * 8/2007 Good D6/349
D561,404 S * 2/2008 Lee D30/118
2002/0096119 A1 * 7/2002 Kolozsvari 119/28.5
2006/0219181 A1 * 10/2006 Pape et al. 119/28.5
2008/0127897 A1 * 6/2008 Flannery 119/28.5

* cited by examiner

Primary Examiner—Cathy Anne MacCormac
(74) *Attorney, Agent, or Firm*—Gregory J. Nelson

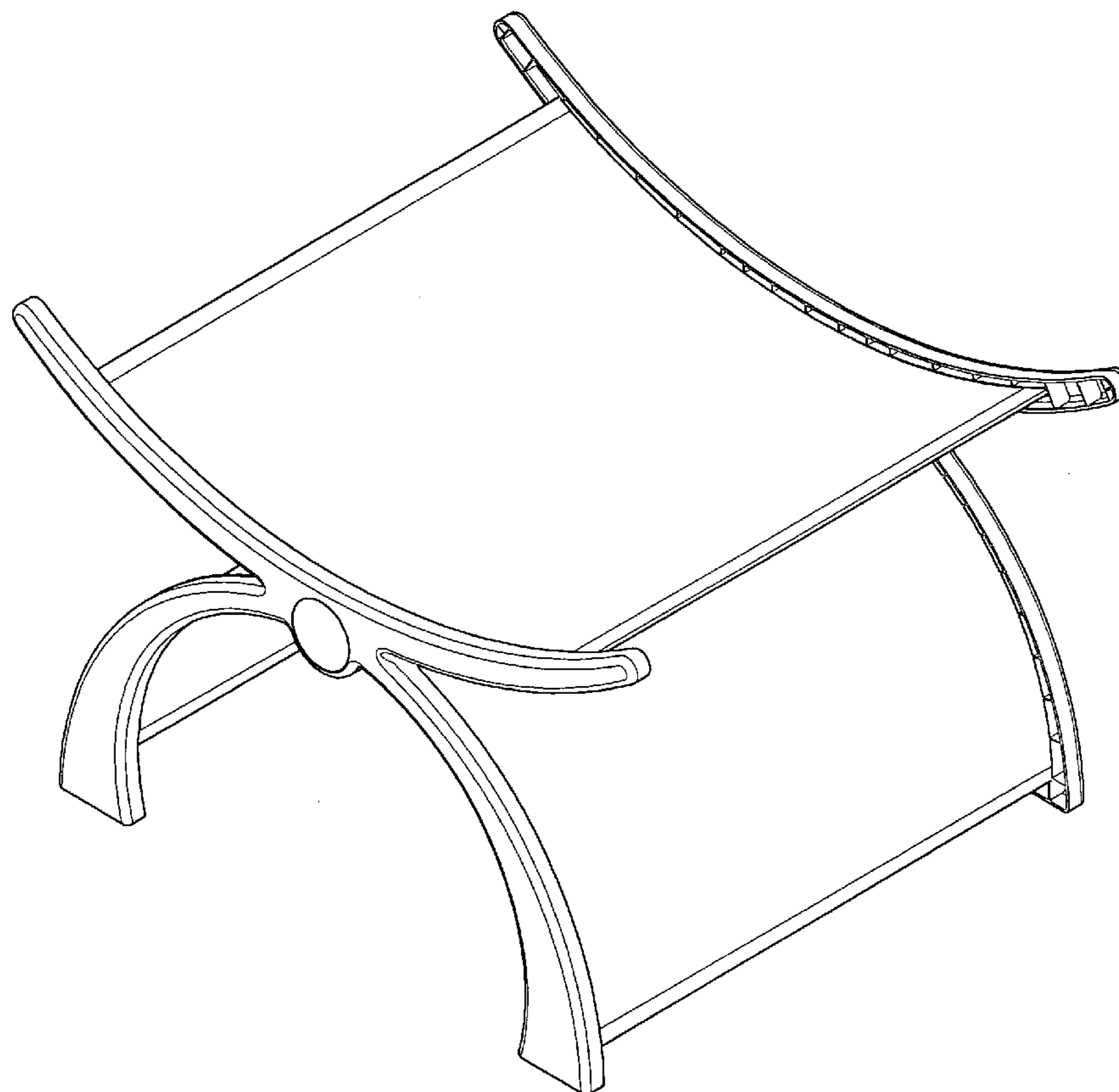
(57) **CLAIM**

We claim the ornamental design for a pet bed, as shown and described.

DESCRIPTION

FIG. 1 is a perspective view of the pet enclosure of our design;
FIG. 2 is a left side view, the right side being identical;
FIG. 3 is a top view;
FIG. 4 is a bottom view;
FIG. 5 is a rear view; and,
FIG. 6 a front view.

1 Claim, 6 Drawing Sheets



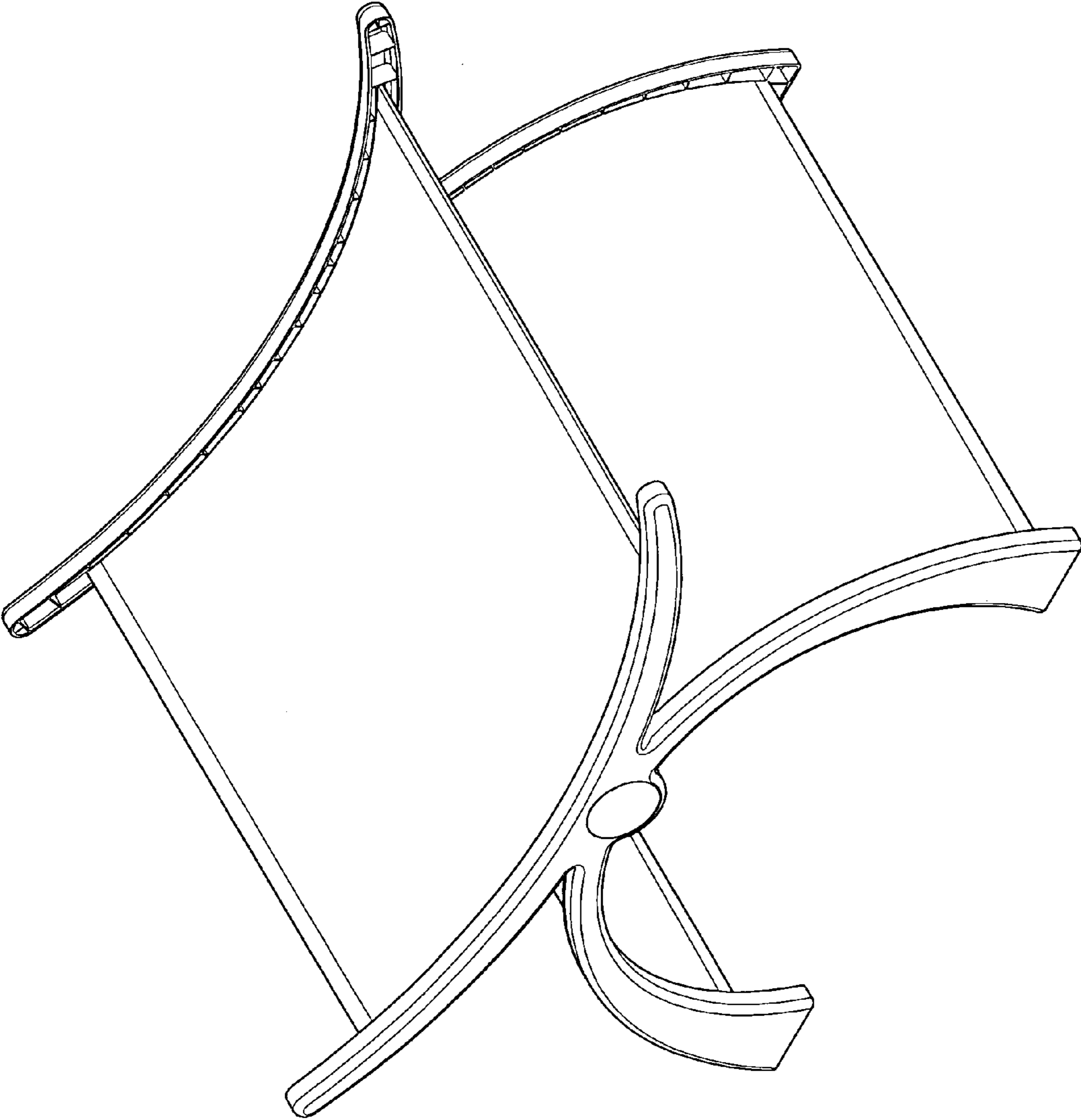


FIGURE 1

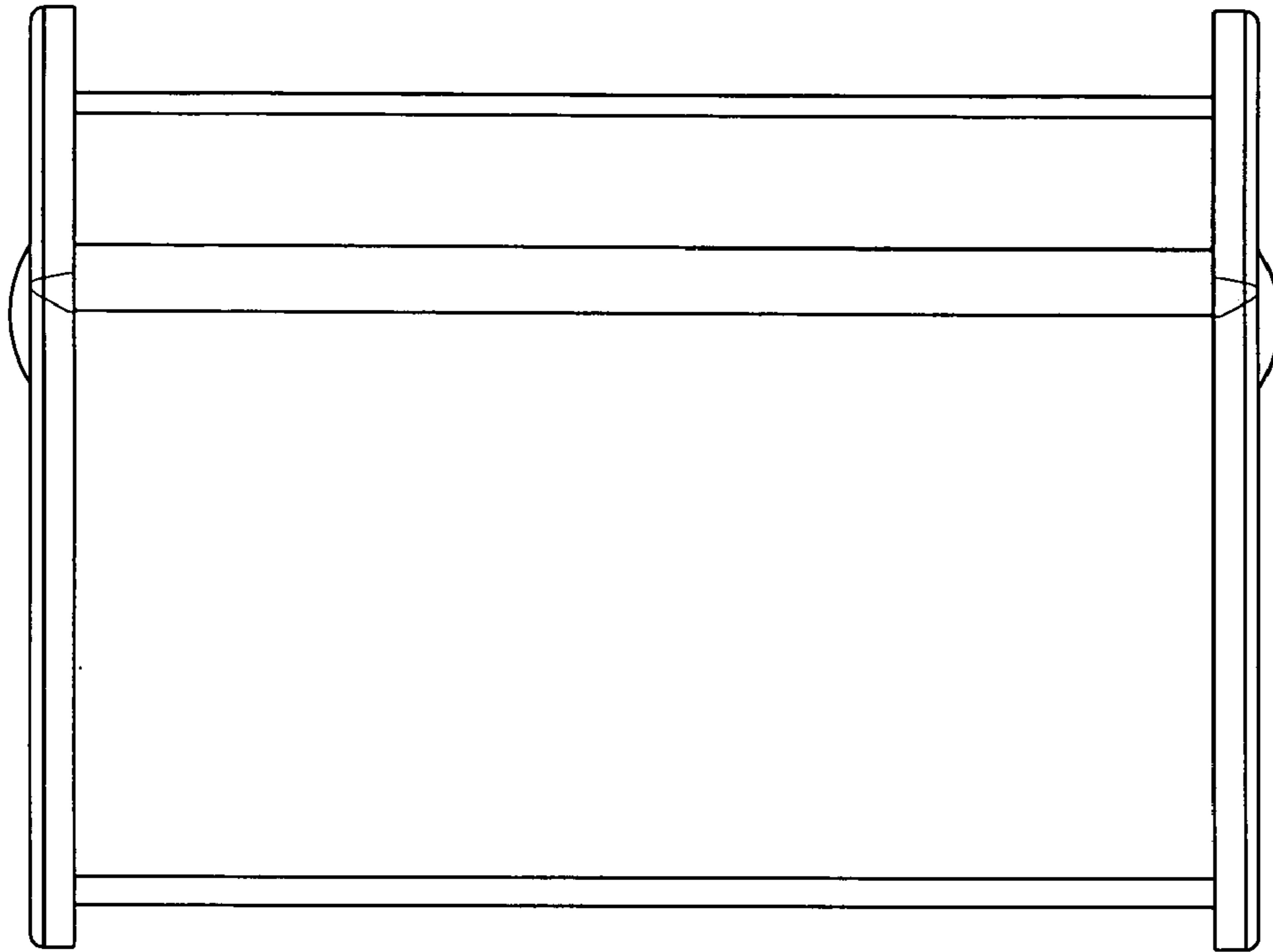


FIGURE 2

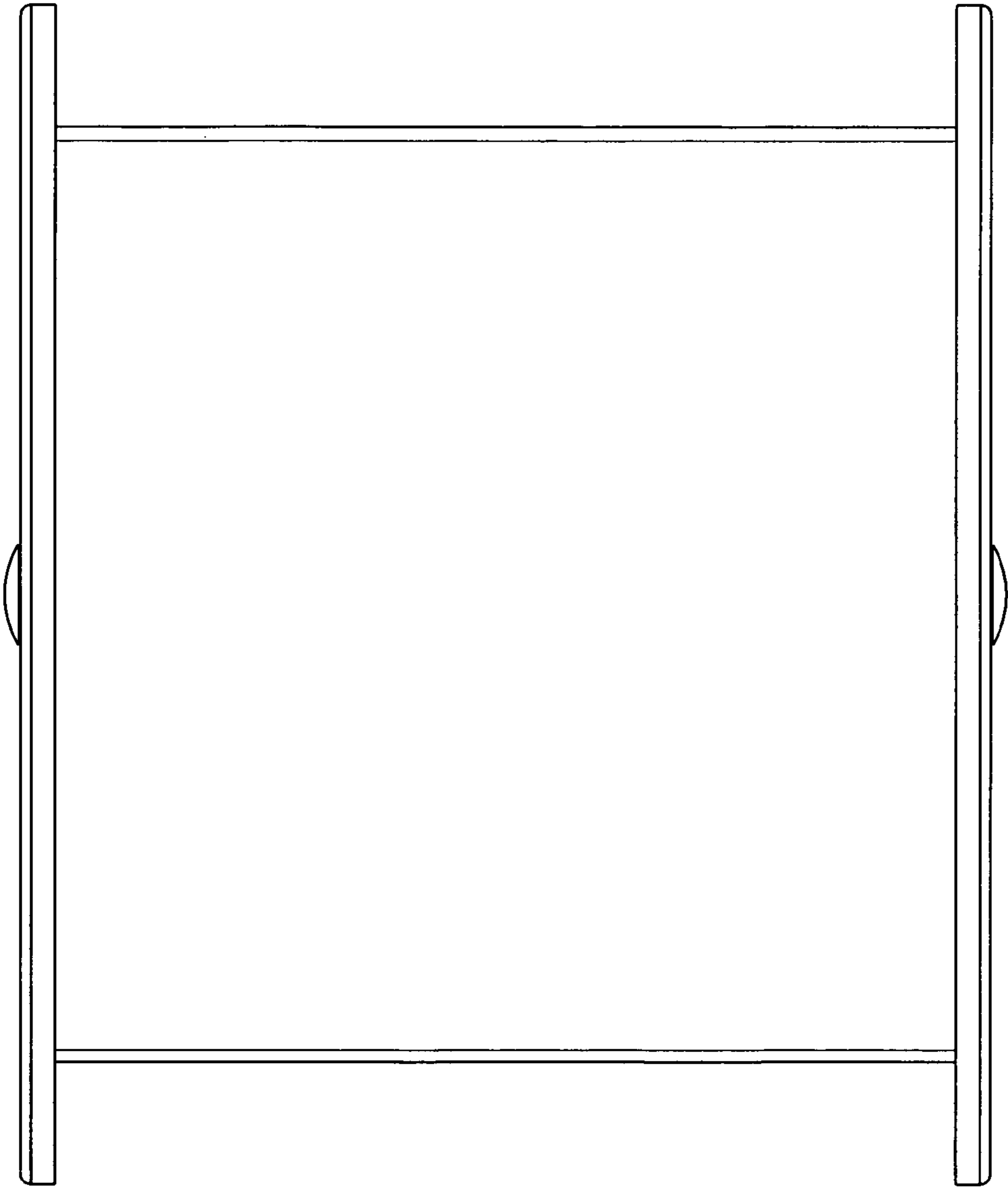


FIGURE 3

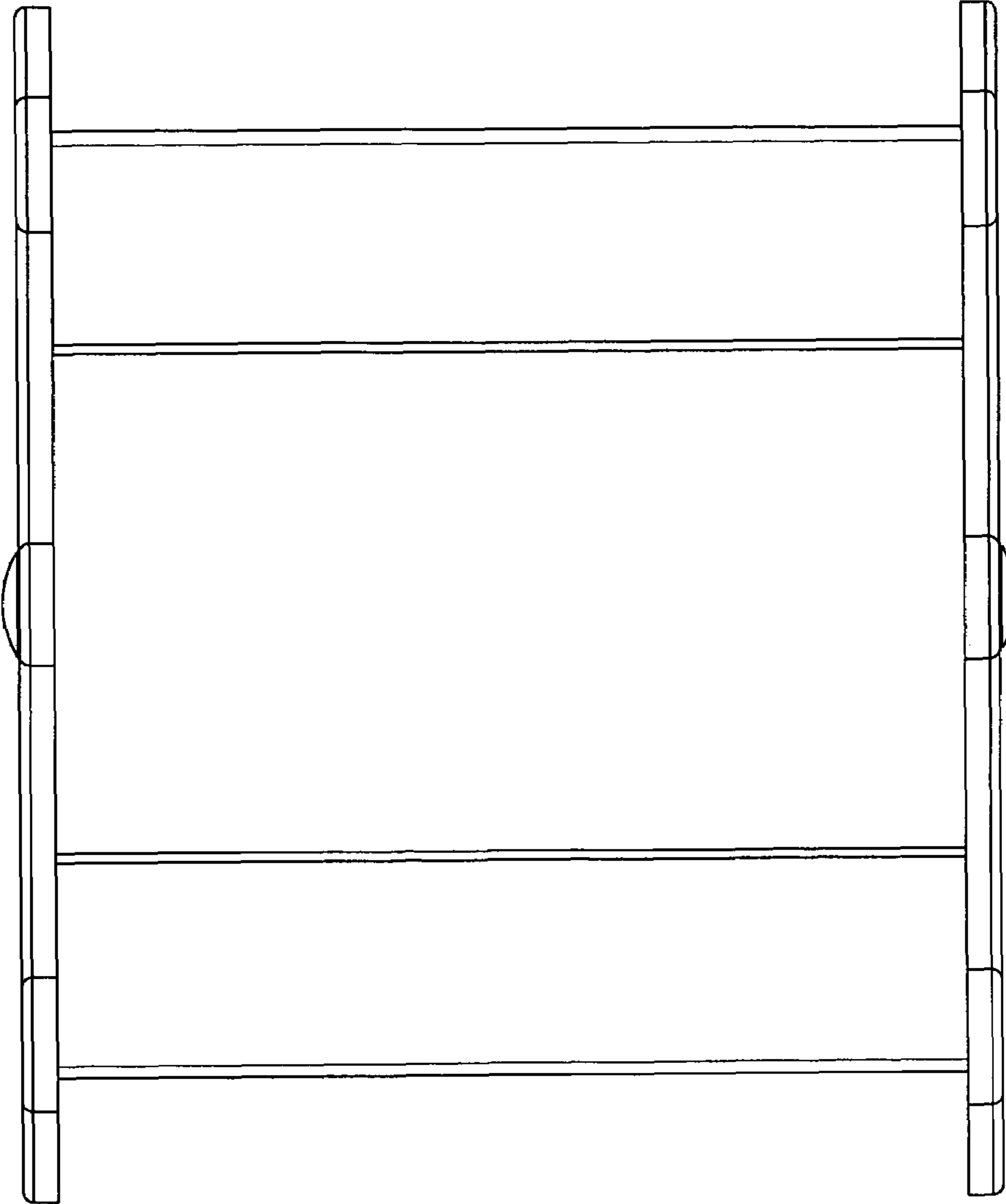


FIGURE 4

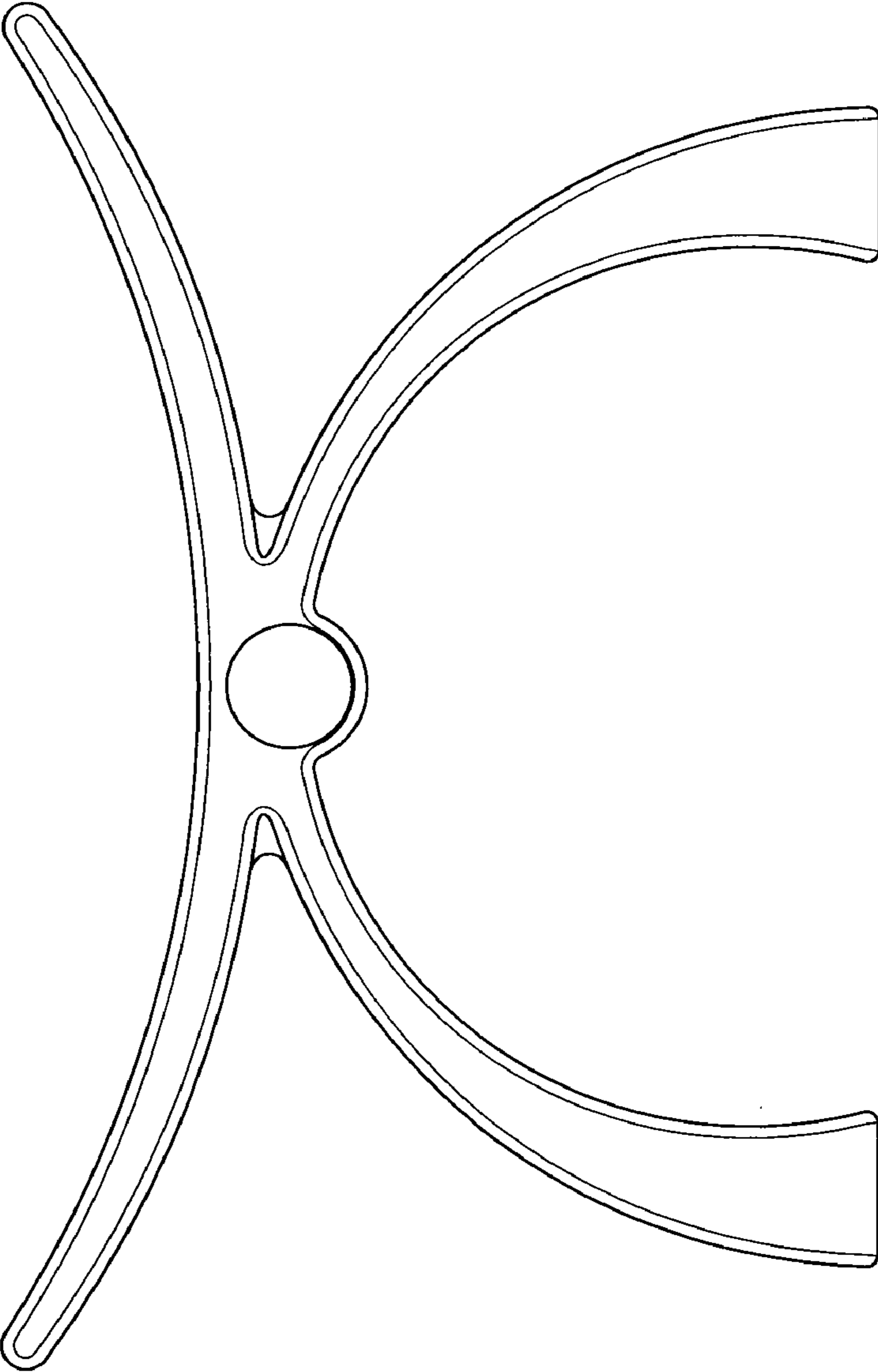


FIGURE 5

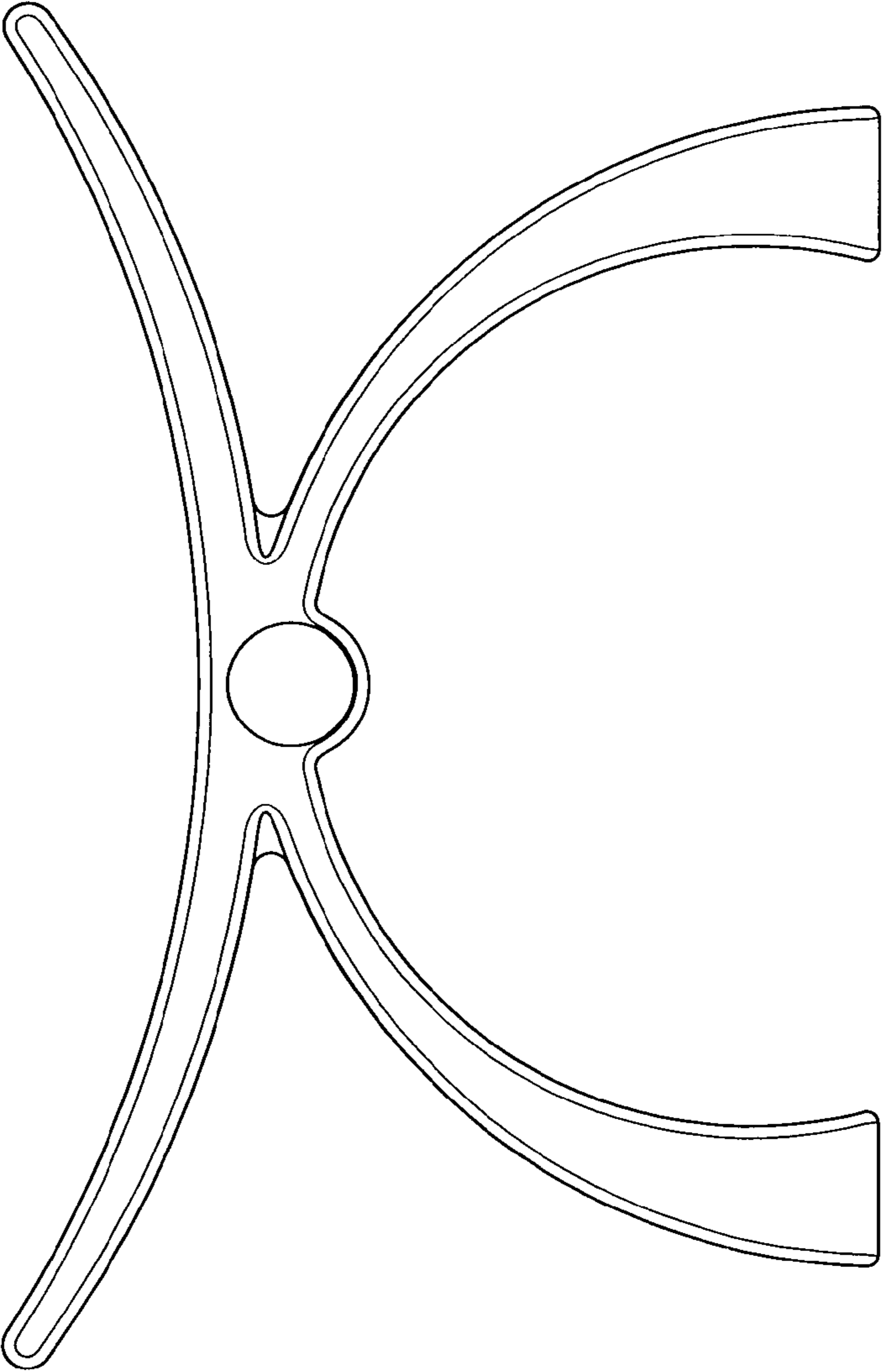


FIGURE 6