



US00D589655S

(12) **United States Design Patent**  
**West**

(10) **Patent No.:** **US D589,655 S**  
(45) **Date of Patent:** **\*\* Mar. 31, 2009**

(54) **BLUNT END PET BED WITH OVERLAY**

(76) **Inventor:** **Paula Lee West**, 400 Monroe Ave.  
South, Edina, MN (US) 55343

(\*\*) **Term:** **14 Years**

(21) **Appl. No.:** **29/273,939**

(22) **Filed:** **Mar. 16, 2007**

(51) **LOC (9) Cl.** ..... **30-06**

(52) **U.S. Cl.** ..... **D30/118**

(58) **Field of Classification Search** ..... D30/108,  
D30/109, 112–118, 161; 119/452–453, 455,  
119/472–474, 484, 496–498, 500–501, 28.5,  
119/161–170; D6/491, 446

See application file for complete search history.

(56) **References Cited**

**U.S. PATENT DOCUMENTS**

1,820,284	A *	8/1931	Mills	119/28.5
5,188,059	A *	2/1993	Rice	119/28.5
D335,819	S *	5/1993	Campbell	D9/721
5,537,952	A	7/1996	Devlin	
5,588,393	A	12/1996	Heilborn	
D379,682	S *	6/1997	Rafaat	D30/118
5,794,285	A *	8/1998	Burch	5/497
5,826,537	A	10/1998	Heilborn	

6,044,794	A	4/2000	Raitanen et al.	
6,209,486	B1 *	4/2001	Reynolds	119/28.5
6,435,133	B1 *	8/2002	Wayne, Jr.	119/28.5
6,513,178	B1 *	2/2003	Kelly et al.	5/110
D550,406	S *	9/2007	West	D30/118
2006/0060147	A1 *	3/2006	Appelhans	119/28.5
2007/0044722	A1 *	3/2007	West	119/28.5

\* cited by examiner

*Primary Examiner*—T. Chase Nelson  
*Assistant Examiner*—Ania K Dworzecka

(57) **CLAIM**

The ornamental design for a blunt end pet bed with overlay, as shown and described.

**DESCRIPTION**

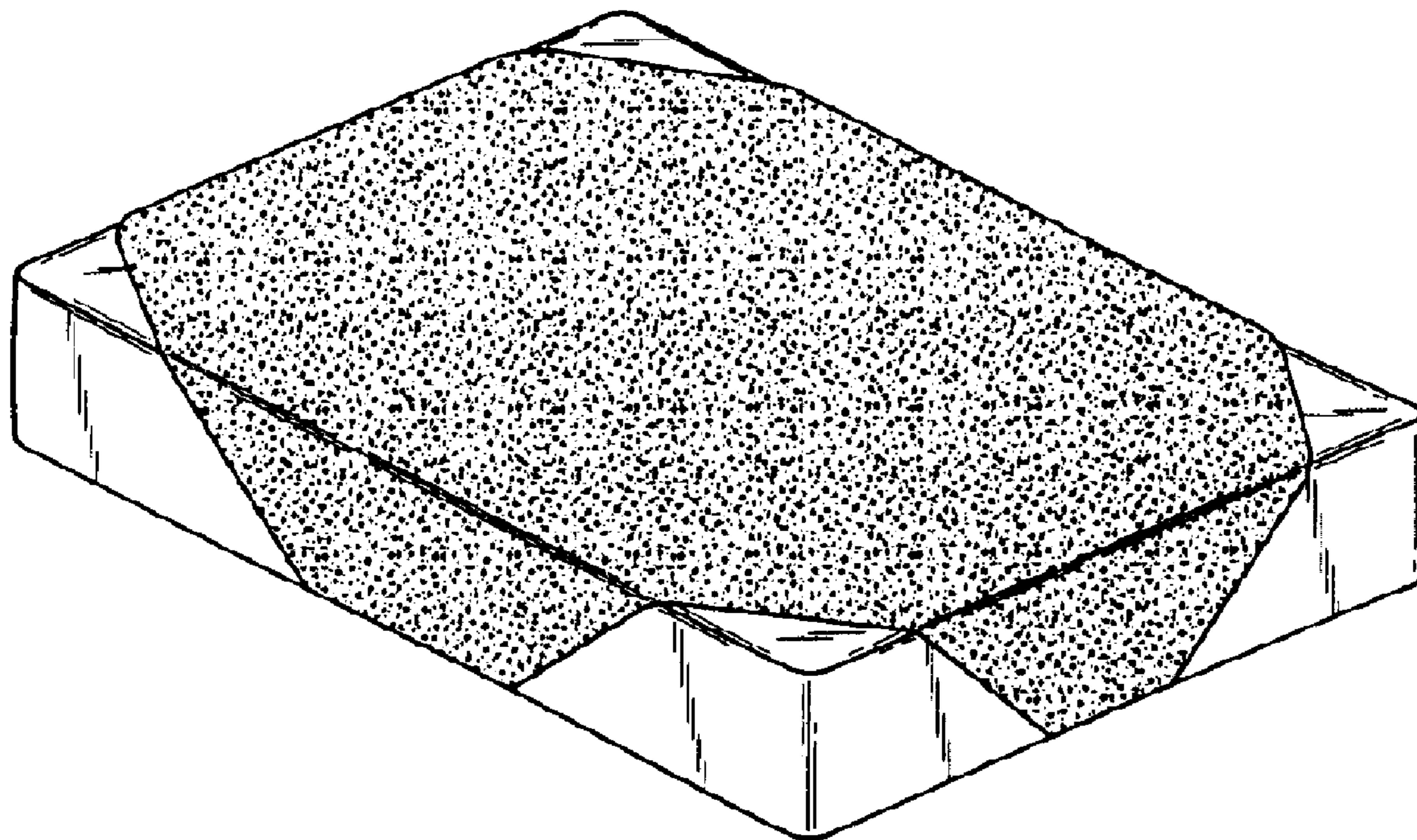
This application claims the benefit and priority of U.S. patent application Ser. No. 11/601,902, filed Nov. 20, 2006 entitled “Pet Bed Overlay, System, and Retrofit Kit”, which is incorporated by reference thereto in their entirety, as though fully set forth herein.

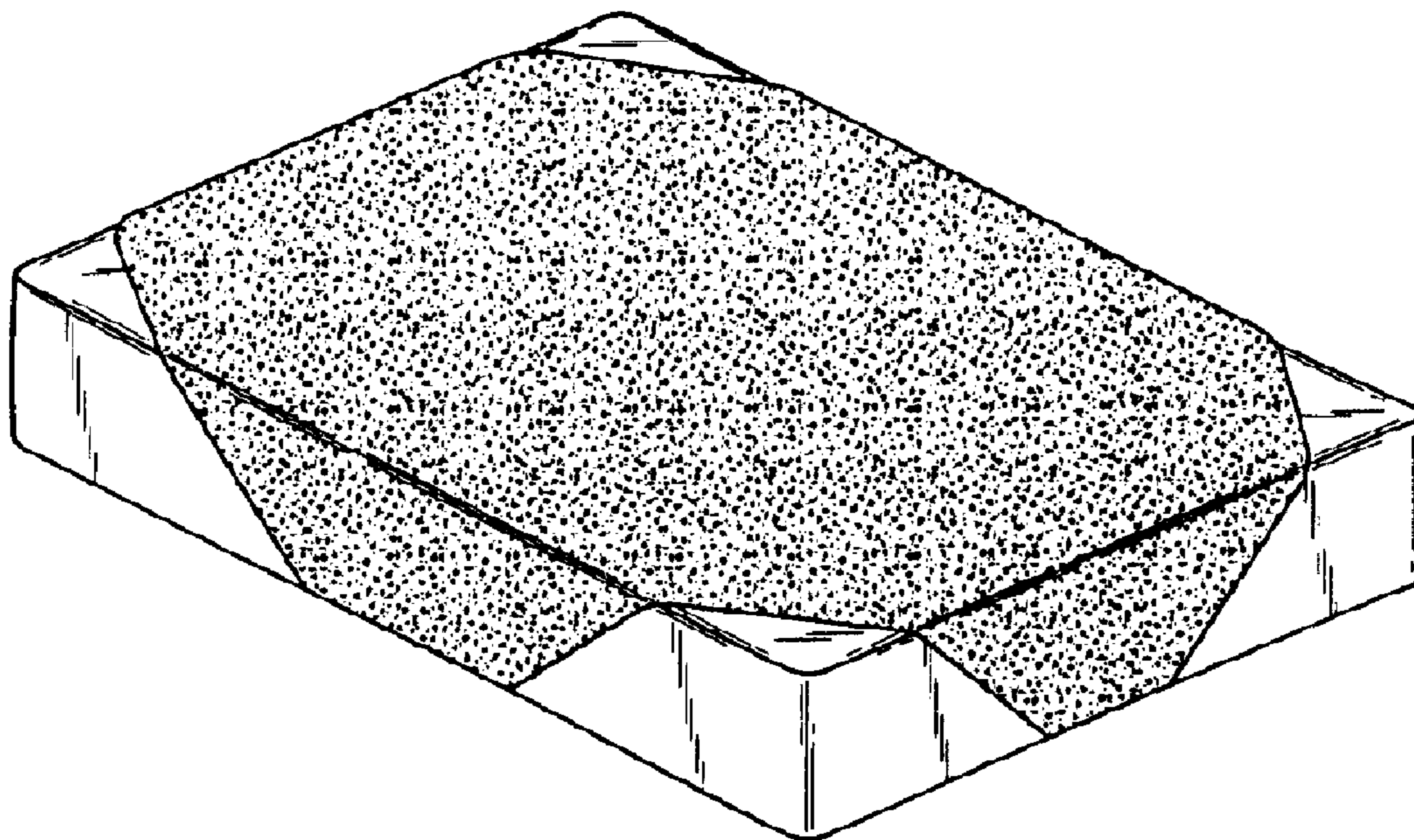
FIG. 1 is a top perspective view of a blunt end pet bed with overlay showing my new design;

FIG. 2 is a right side elevational view; and,

FIG. 3 is a front side view.

**1 Claim, 1 Drawing Sheet**





**Fig. 1**



**Fig. 2**



**Fig. 3**