



US00D589654S

(12) **United States Design Patent**
Juhlin

(10) **Patent No.:** **US D589,654 S**
(45) **Date of Patent:** **** Mar. 31, 2009**

(54) **PIVOT KNOB PORTION OF A WELDING HELMET**

(75) Inventor: **Oskar E. Juhlin**, Gustavsberg (SE)

(73) Assignee: **3M Innovative Properties Company**,
St. Paul, MN (US)

(**) Term: **14 Years**

(21) Appl. No.: **29/297,644**

(22) Filed: **Nov. 15, 2007**

(51) **LOC (9) Cl.** **29-02**

(52) **U.S. Cl.** **D29/122**

(58) **Field of Classification Search** D29/108,
D29/110, 111, 122; 2/7, 8.1–8.8, 9–11, 15,
2/6.3, 6.5, 6.7, 424, 427, 429, 5; 128/857,
128/858, 206.28, 207.11, 207.17, 201.23,
128/201.24, 201.25, 206.21, 206.23, 206.24;
D24/191; D8/382, 399, 397; D11/222; 411/500;
403/408.1, 116, 117

See application file for complete search history.

(56) **References Cited**

U.S. PATENT DOCUMENTS

2,337,995	A *	12/1943	Harper	24/651
4,907,300	A *	3/1990	Dampney et al.	2/424
5,003,632	A *	4/1991	Claude	2/422
5,571,217	A *	11/1996	Del Bon et al.	2/9
D398,421	S	9/1998	Crafoord et al.		
6,154,881	A *	12/2000	Lee	2/9
6,260,197	B1 *	7/2001	Hoogewind	2/8.3
6,341,382	B1 *	1/2002	Ryvin et al.	2/417
6,614,409	B1 *	9/2003	Bae	345/8
D517,745	S	3/2006	Lee et al.		

D524,992	S	7/2006	Belin et al.		
D525,395	S	7/2006	Fridholm et al.		
D526,097	S	8/2006	Lilenthal et al.		
D532,560	S	11/2006	Fredriksson et al.		
D532,939	S	11/2006	Juhlin et al.		
D533,313	S	12/2006	Mases et al.		
D551,961	S *	10/2007	Huh	D8/397
D557,128	S *	12/2007	Sawdon et al.	D8/382
2006/0080761	A1 *	4/2006	Huh	2/424
2007/0245467	A1 *	10/2007	Lilenthal et al.	2/416
2008/0060102	A1 *	3/2008	Matthews et al.	2/8.2

* cited by examiner

Primary Examiner—Ruth McInroy

(74) Attorney, Agent, or Firm—Anna A. Wetzels

(57) **CLAIM**

The ornamental design for a pivot knob portion of a welding helmet, as shown and described.

DESCRIPTION

FIG. 1 is a perspective view, showing the new design for a pivot knob portion of a welding helmet;

FIG. 2 is a front view thereof;

FIG. 3 is a rear view thereof;

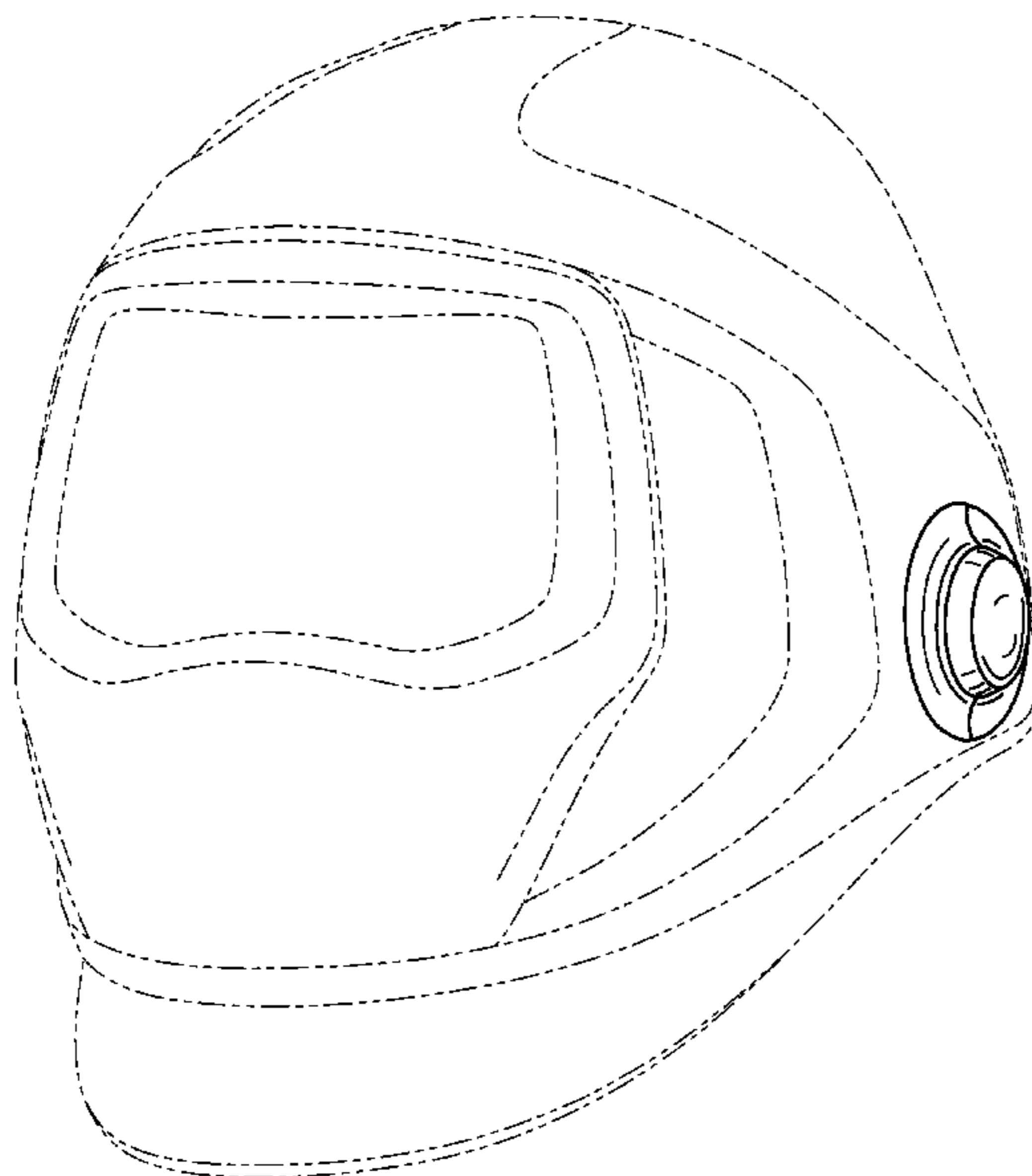
FIG. 4 is a left side view, the right side view being a mirror image thereof;

FIG. 5 is a top view thereof; and,

FIG. 6 is a bottom view thereof.

The details shown in broken lines form no part of the claimed design. The surface shading is provided to illustrate contour only.

1 Claim, 6 Drawing Sheets



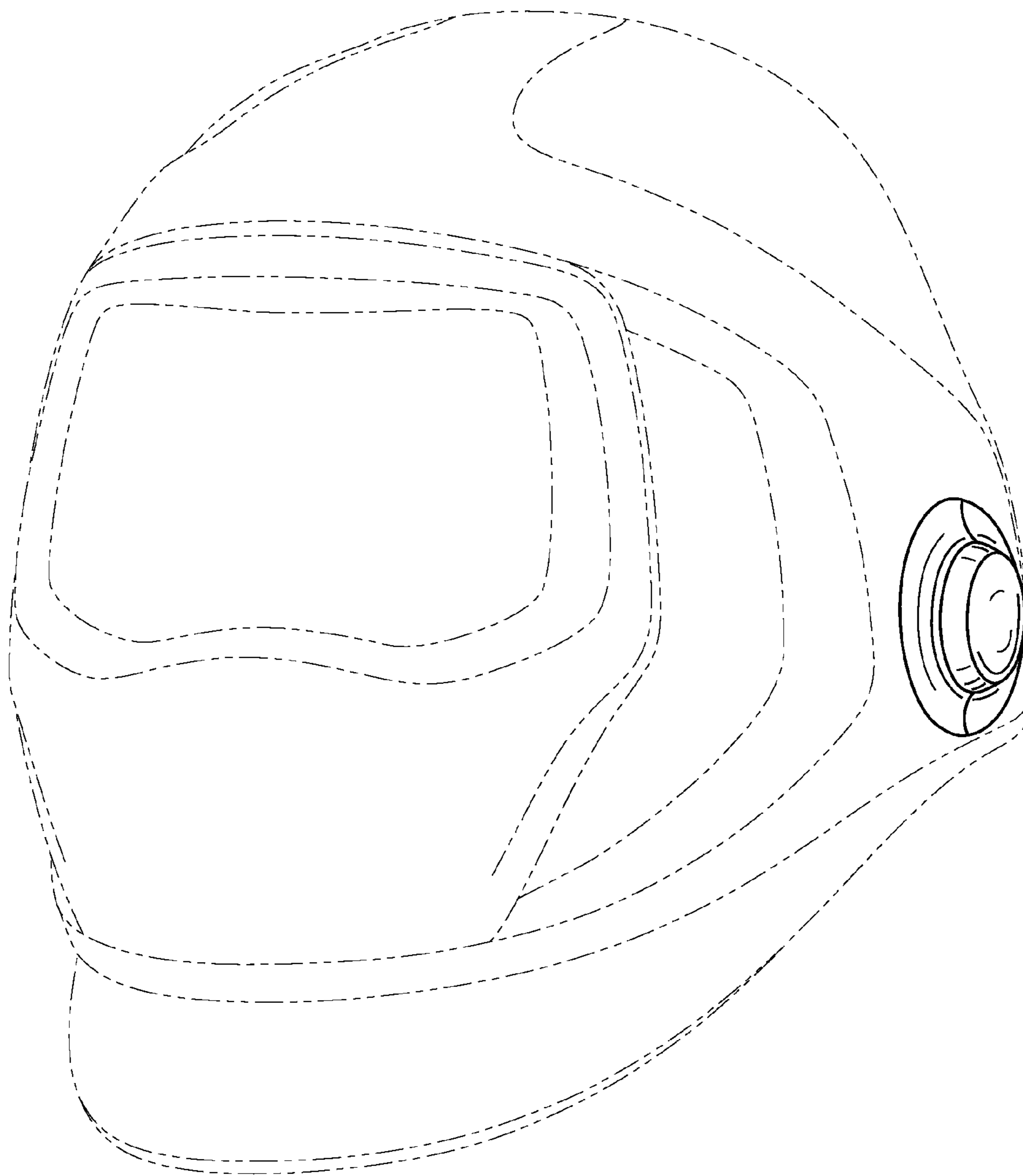


Fig. 1



Fig. 2



Fig. 3

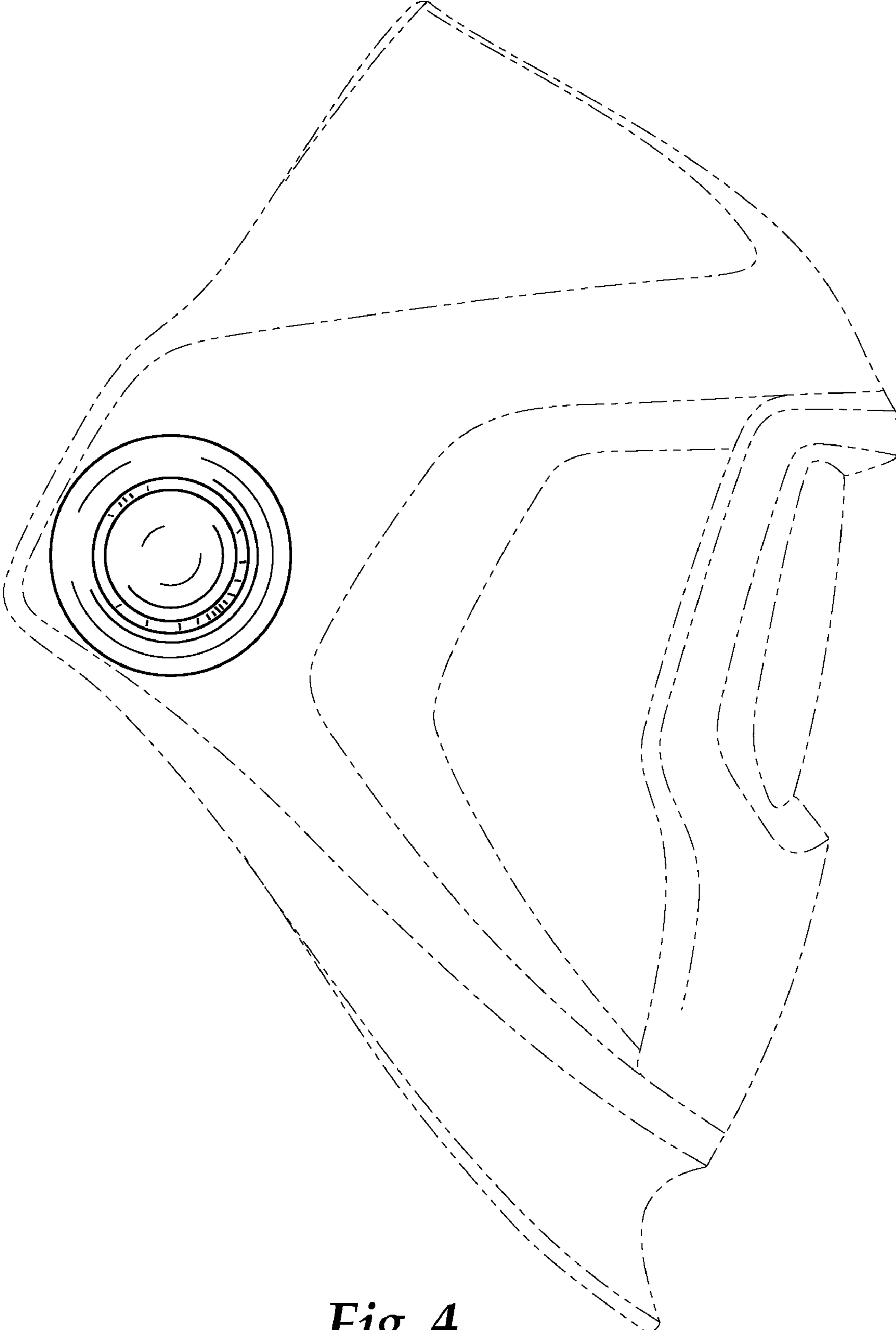
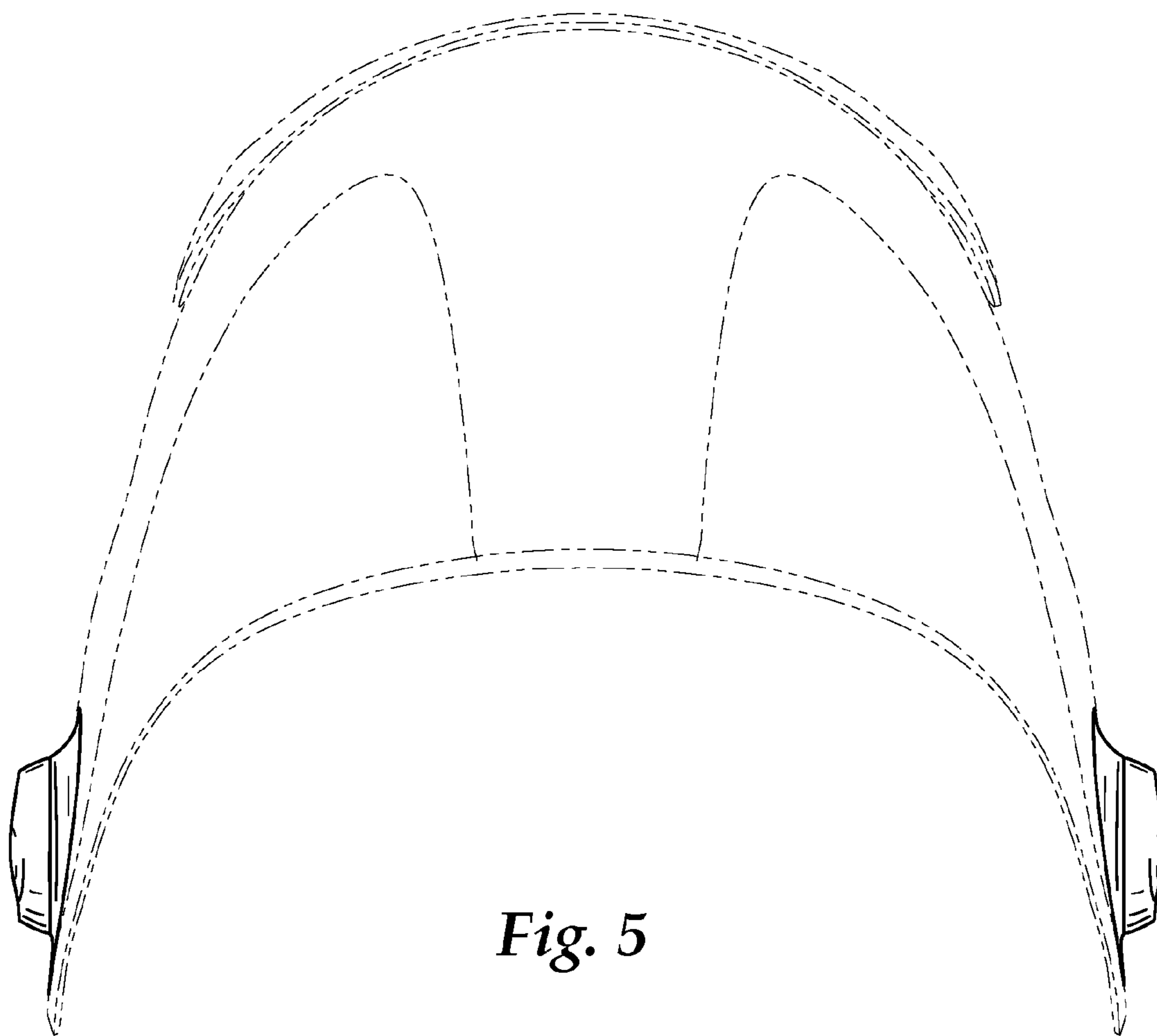


Fig. 4



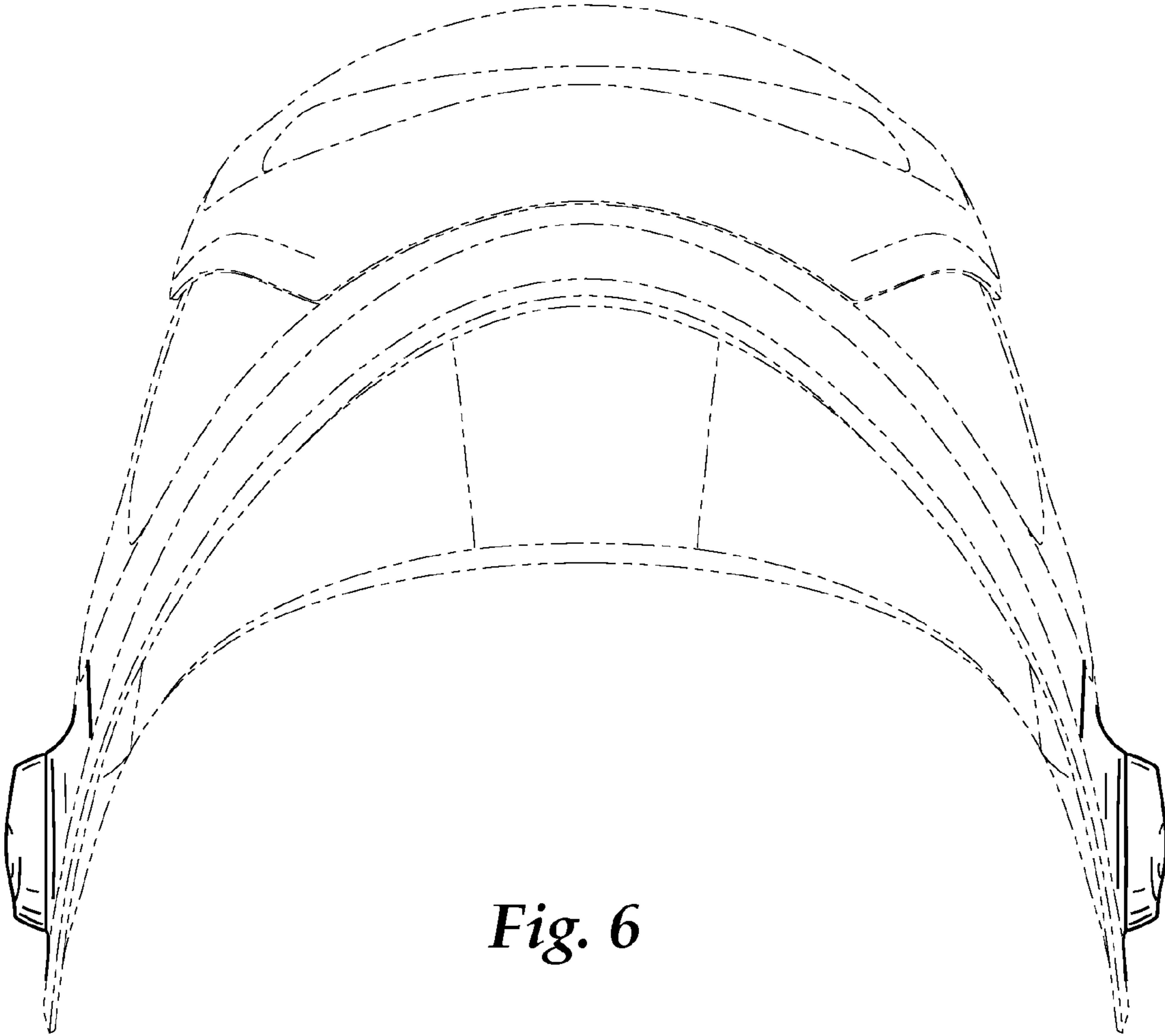


Fig. 6