



US00D589648S

(12) **United States Design Patent**
Bakus

(10) **Patent No.:** **US D589,648 S**

(45) **Date of Patent:** **** Mar. 31, 2009**

(54) **SIDEBURN RULER**

(76) Inventor: **George Bakus**, 3816 Vlader Dr.,
Modesto, CA (US) 95356

(**) Term: **14 Years**

(21) Appl. No.: **29/303,887**

(22) Filed: **Feb. 19, 2008**

(51) **LOC (9) Cl.** **28-03**

(52) **U.S. Cl.** **D28/10; D10/71**

(58) **Field of Classification Search** D28/7,
D28/10; 132/213, 214; D10/71
See application file for complete search history.

(56) **References Cited**

U.S. PATENT DOCUMENTS

| | | | | | | |
|-----------|---|---|---------|----------------|-------|---------|
| D22,248 | S | * | 2/1893 | Flesher | | D10/71 |
| 1,013,077 | A | | 12/1911 | Sharrow | | |
| 1,504,436 | A | * | 8/1924 | Daughley | | 132/214 |
| 1,812,443 | A | * | 6/1931 | Mason | | 132/214 |
| 2,749,922 | A | * | 6/1956 | Daniel et al. | | 132/214 |
| 2,879,778 | A | | 3/1959 | Peck | | |
| D198,935 | S | * | 8/1964 | Elkins | | D10/71 |
| 3,491,450 | A | | 1/1970 | Ayoub | | |
| 3,613,694 | A | | 10/1971 | Benjamin | | |
| 3,709,234 | A | | 1/1973 | Seerahn | | |
| 4,010,764 | A | | 3/1977 | Wagner | | |
| 4,106,515 | A | | 8/1978 | Miller | | |
| D340,415 | S | * | 10/1993 | Shadday et al. | | D10/71 |
| 6,125,857 | A | | 10/2000 | Silber | | |

6,564,463 B1 5/2003 Panz
2007/0261709 A1* 11/2007 Bakus 132/214

* cited by examiner

Primary Examiner—Jennifer Rivard
(74) *Attorney, Agent, or Firm*—Law Offices of David M. Lang; David M. Lang

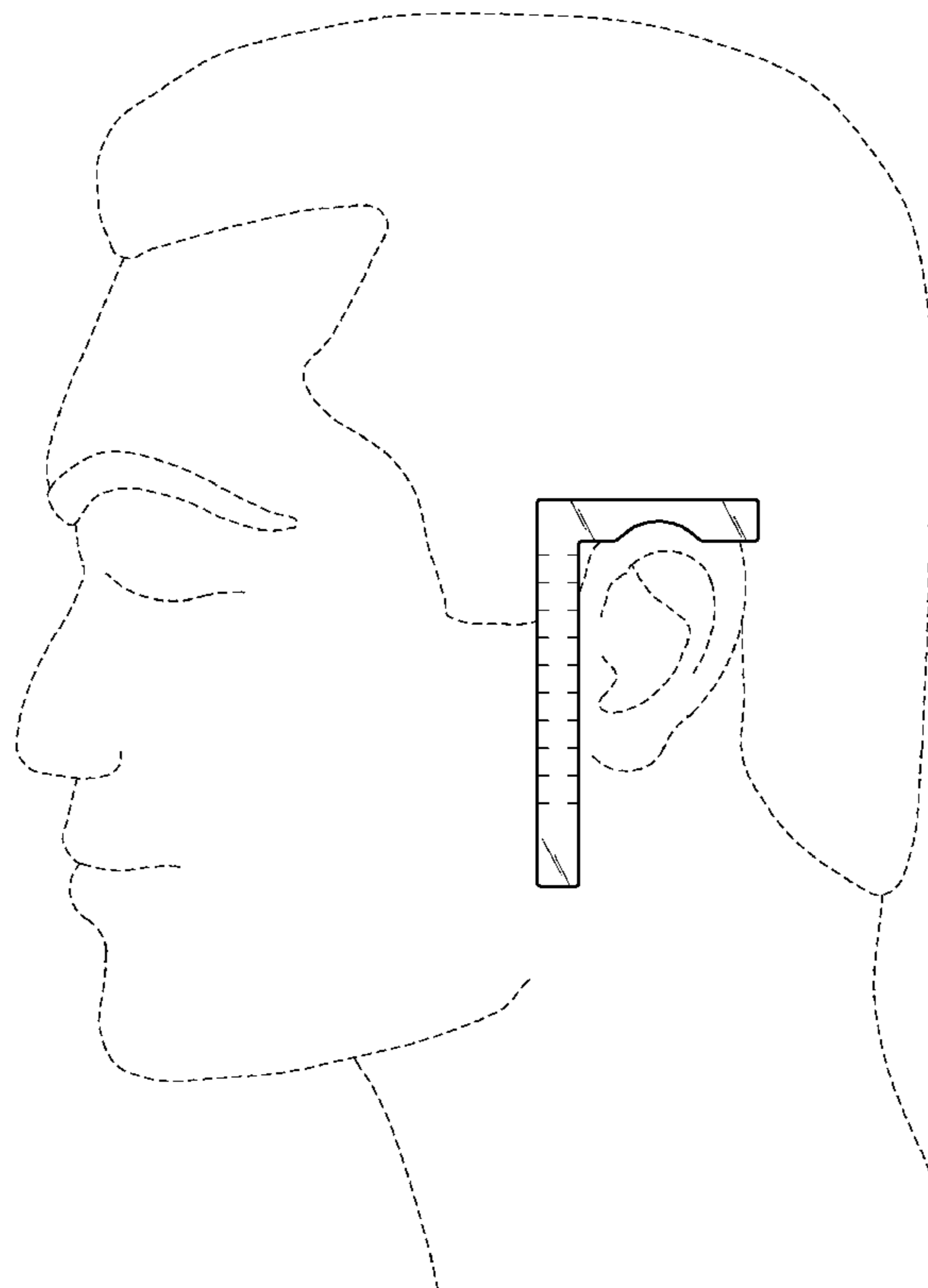
(57) **CLAIM**

The ornamental design for a sideburn ruler, as shown and described.

DESCRIPTION

FIG. 1 is a perspective view of the sideburn ruler.
FIG. 2 is front view of the sideburn ruler.
FIG. 3 is a rear view of the sideburn ruler.
FIG. 4 is a right side view of the sideburn ruler.
FIG. 5 is a left side view of the sideburn ruler.
FIG. 6 is a bottom view of the sideburn ruler.
FIG. 7 is a top view of the sideburn ruler.
FIG. 8 is a view of the sideburn ruler in use; and,
FIG. 9 is an enlarged, partial view of the sideburn ruler.
The partial view is shown for convenience of illustration.
The broken lines shown in FIG. 8 illustrate environment. All other broken lines illustrate portions of the article. None of the broken lines part of the claimed design.

1 Claim, 7 Drawing Sheets



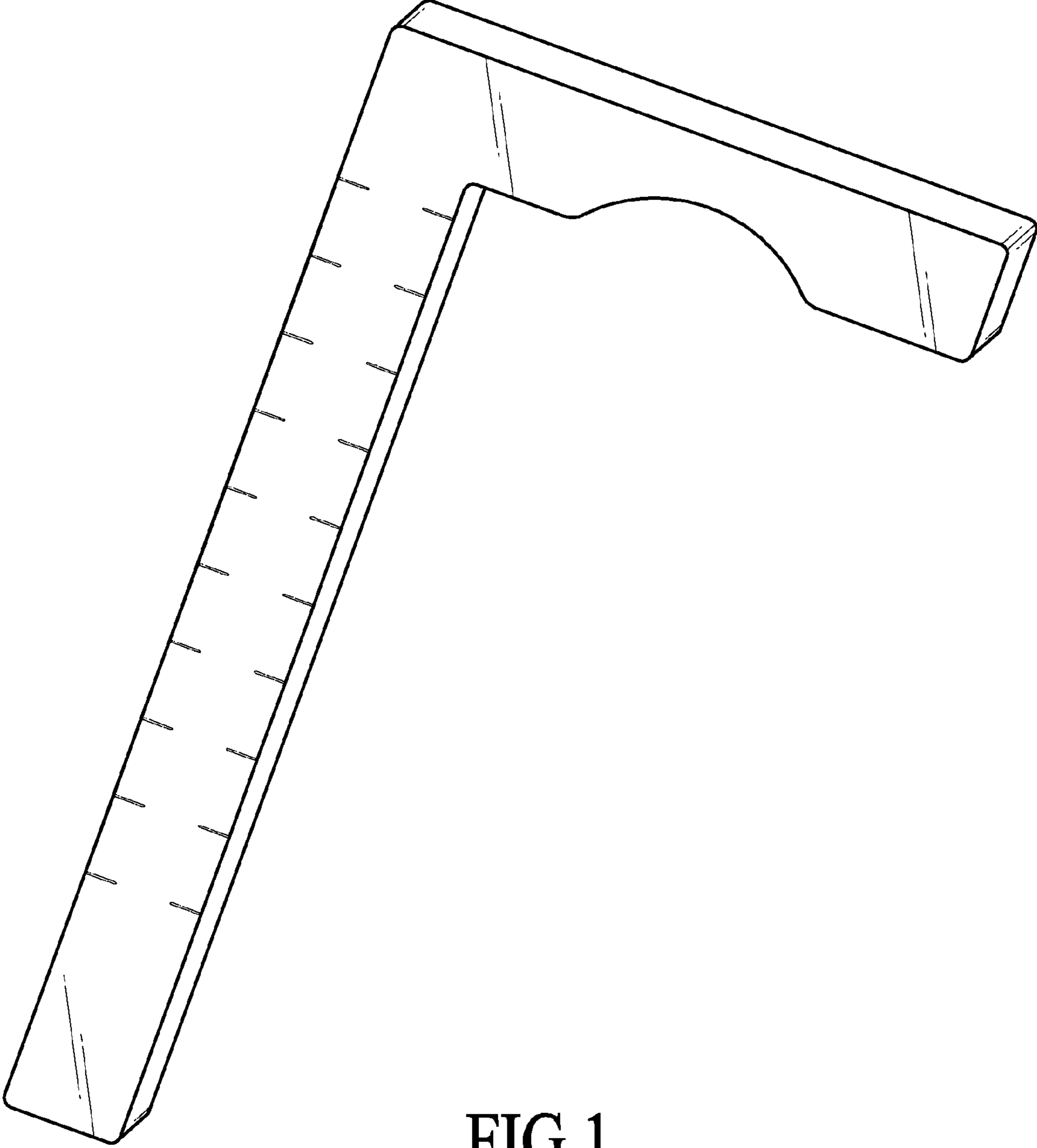


FIG.1

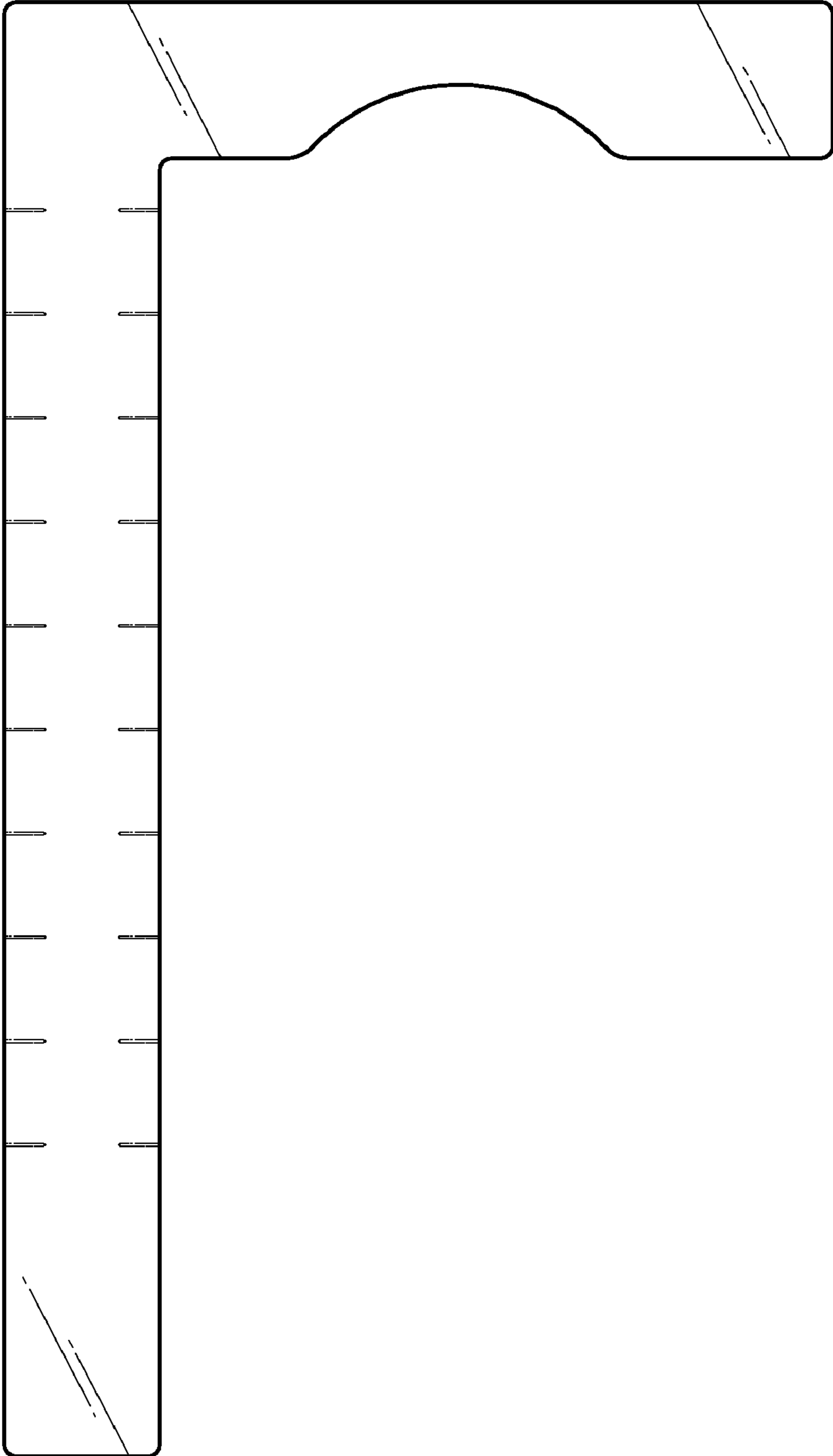


FIG.2

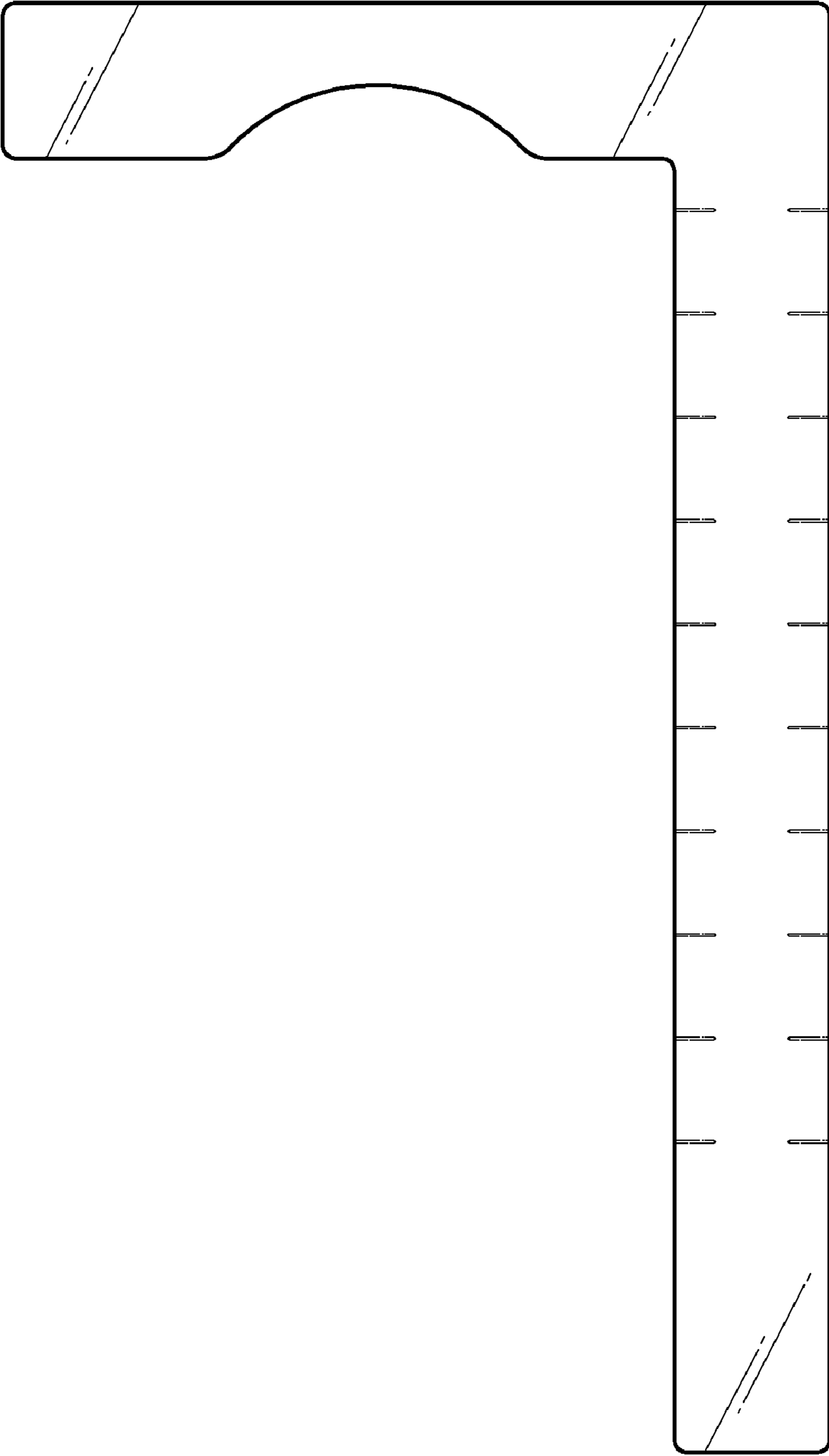


FIG.3

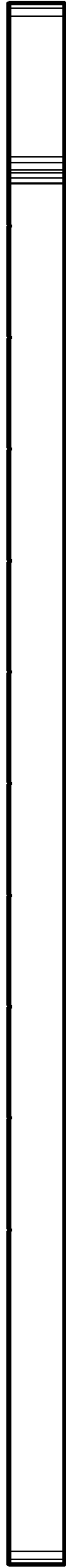


FIG.4



FIG.5

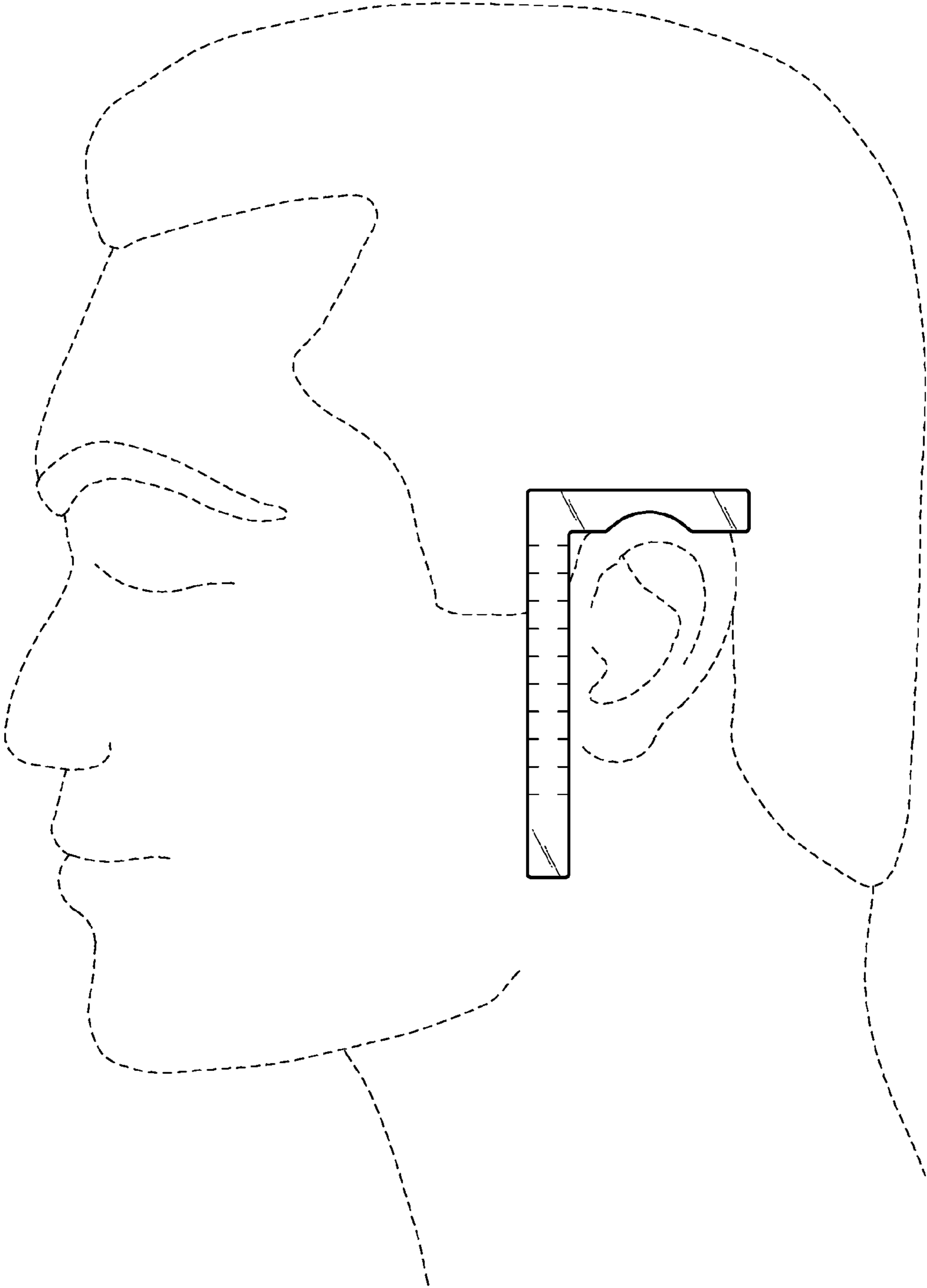


FIG.8

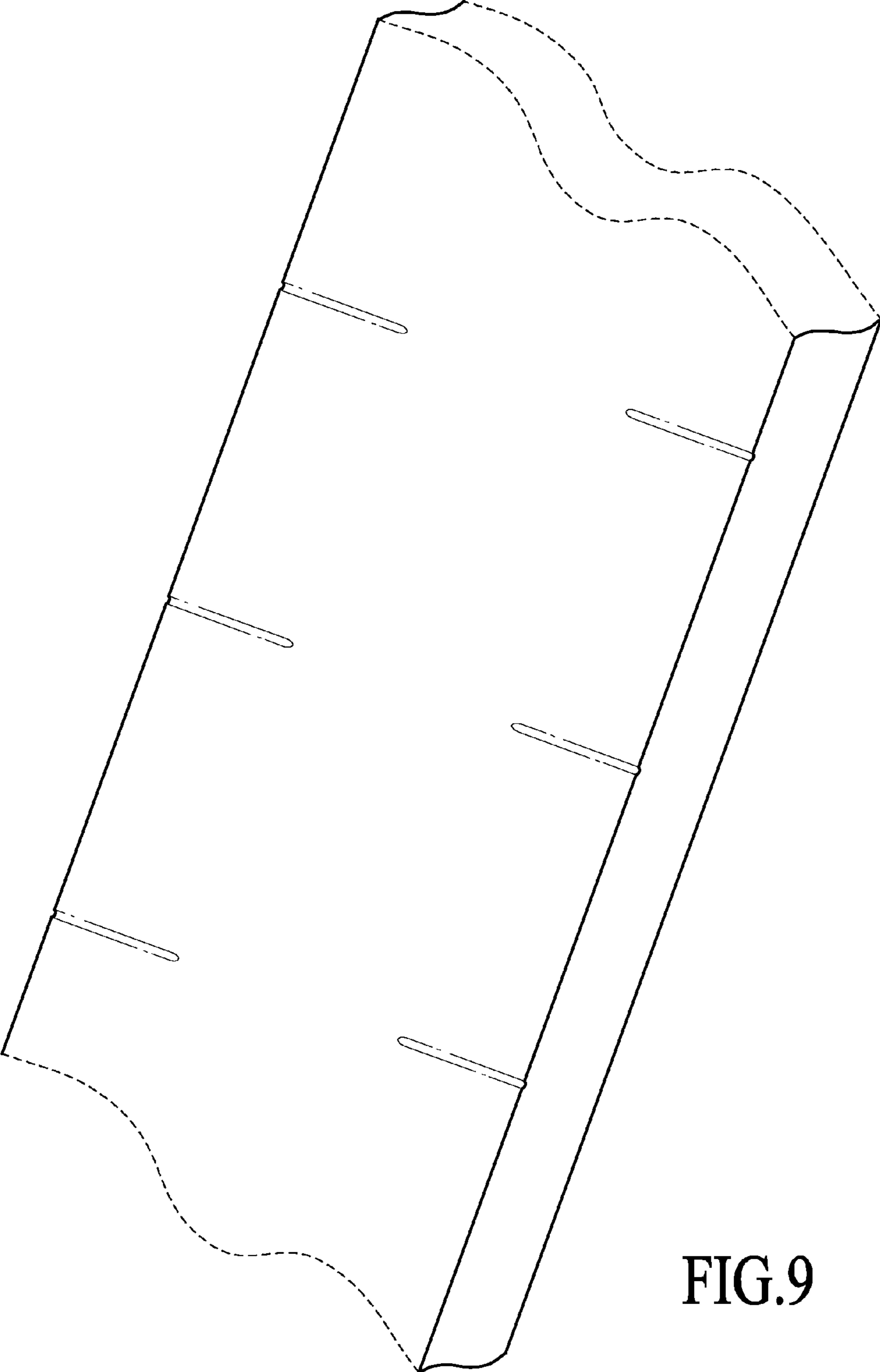


FIG.9