



US00D589645S

(12) **United States Design Patent**  
**Citterio**

(10) **Patent No.:** **US D589,645 S**

(45) **Date of Patent:** **\*\* Mar. 31, 2009**

(54) **OUTDOOR FLOOR LAMP**

(75) Inventor: **Antonio Citterio**, Milan (IT)

(73) Assignee: **FLOS S.p.A.**, Brescia (IT)

(\*\*) Term: **14 Years**

(21) Appl. No.: **29/295,623**

(22) Filed: **Oct. 2, 2007**

(30) **Foreign Application Priority Data**

Apr. 16, 2007 (EM) ..... 000707757-0011

(51) **LOC (9) Cl.** ..... **26-01**

(52) **U.S. Cl.** ..... **D26/107**

(58) **Field of Classification Search** ..... D26/24,  
D26/61-67, 93, 102, 104-105, 108-109;  
362/509, 516, 523, 186, 217, 255, 257, 277,  
362/317, 319, 351, 354, 355, 357, 358, 362,  
362/382, 410, 413, 417, 806

See application file for complete search history.

(56) **References Cited**

**U.S. PATENT DOCUMENTS**

D203,215 S \* 12/1965 Koch ..... D26/93

D412,594 S \* 8/1999 Benghozi ..... D26/107  
D443,382 S \* 6/2001 Vong et al. .... D26/93  
D571,943 S \* 6/2008 Tragatschnig ..... D26/61

\* cited by examiner

*Primary Examiner*—Brian N Vinson

(74) *Attorney, Agent, or Firm*—McGlew and Tuttle, P.C.

(57) **CLAIM**

The ornamental design for a outdoor floor lamp, as shown and described.

**DESCRIPTION**

FIG. 1 is a perspective view of my new outdoor floor lamp;

FIG. 2 is a rear view thereof;

FIG. 3 is a front view thereof;

FIG. 4 is a top view thereof;

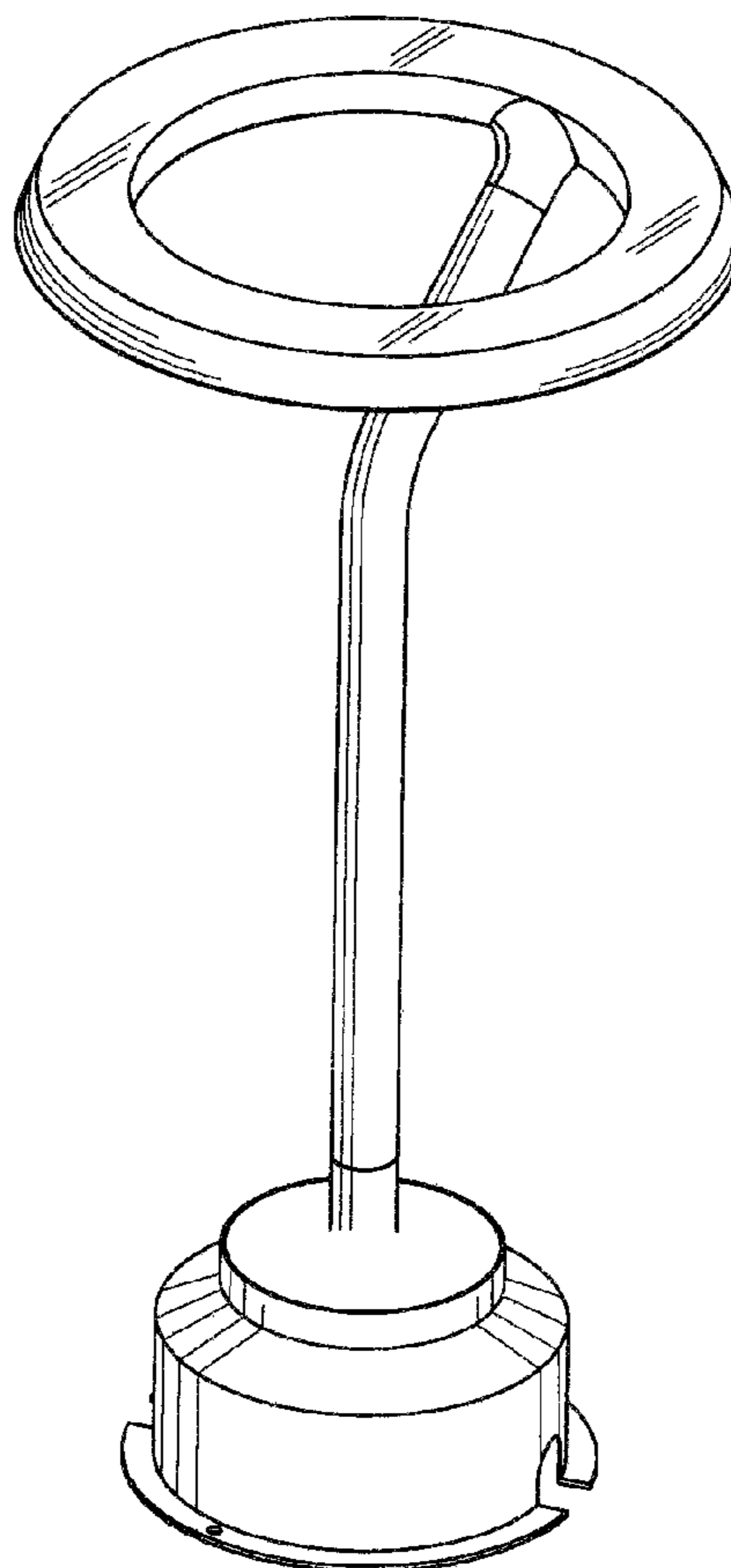
FIG. 5 is a bottom view thereof;

FIG. 6 is a left side view thereof; and,

FIG. 7 is a right side view thereof.

The broken-line disclosure in the views is for illustrative purposes only and is understood to form no part of the claimed design.

**1 Claim, 3 Drawing Sheets**



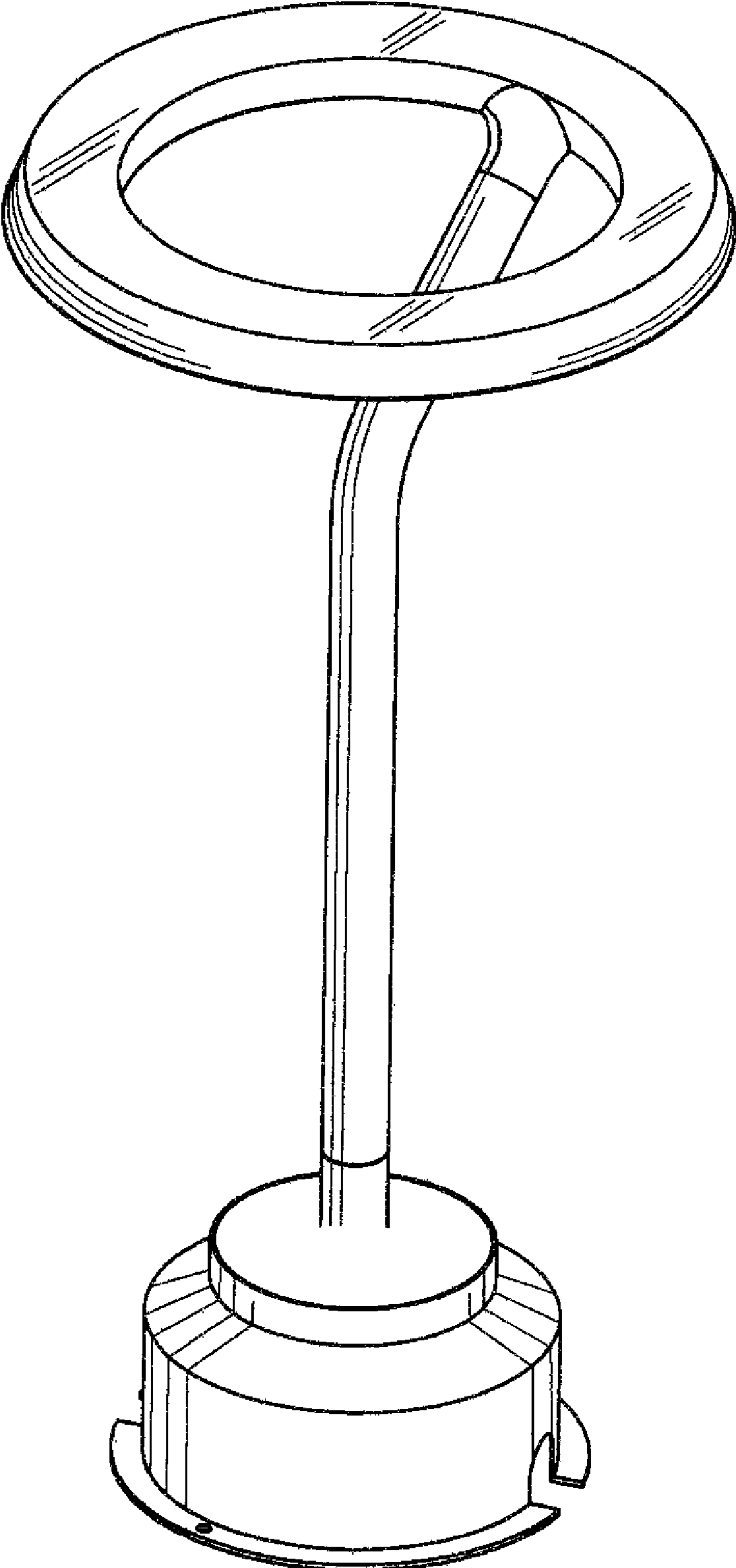


Fig. 1

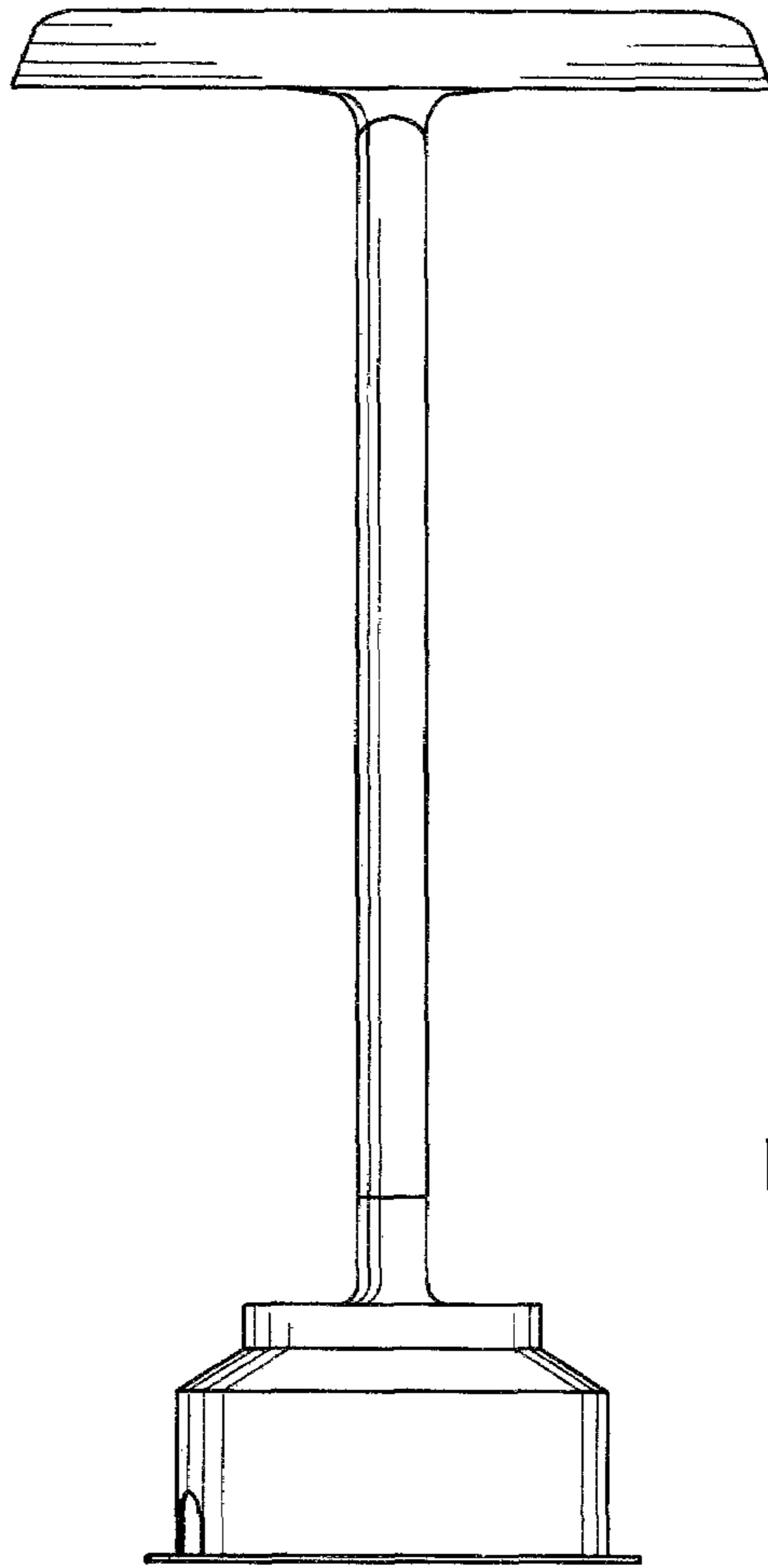


Fig. 2

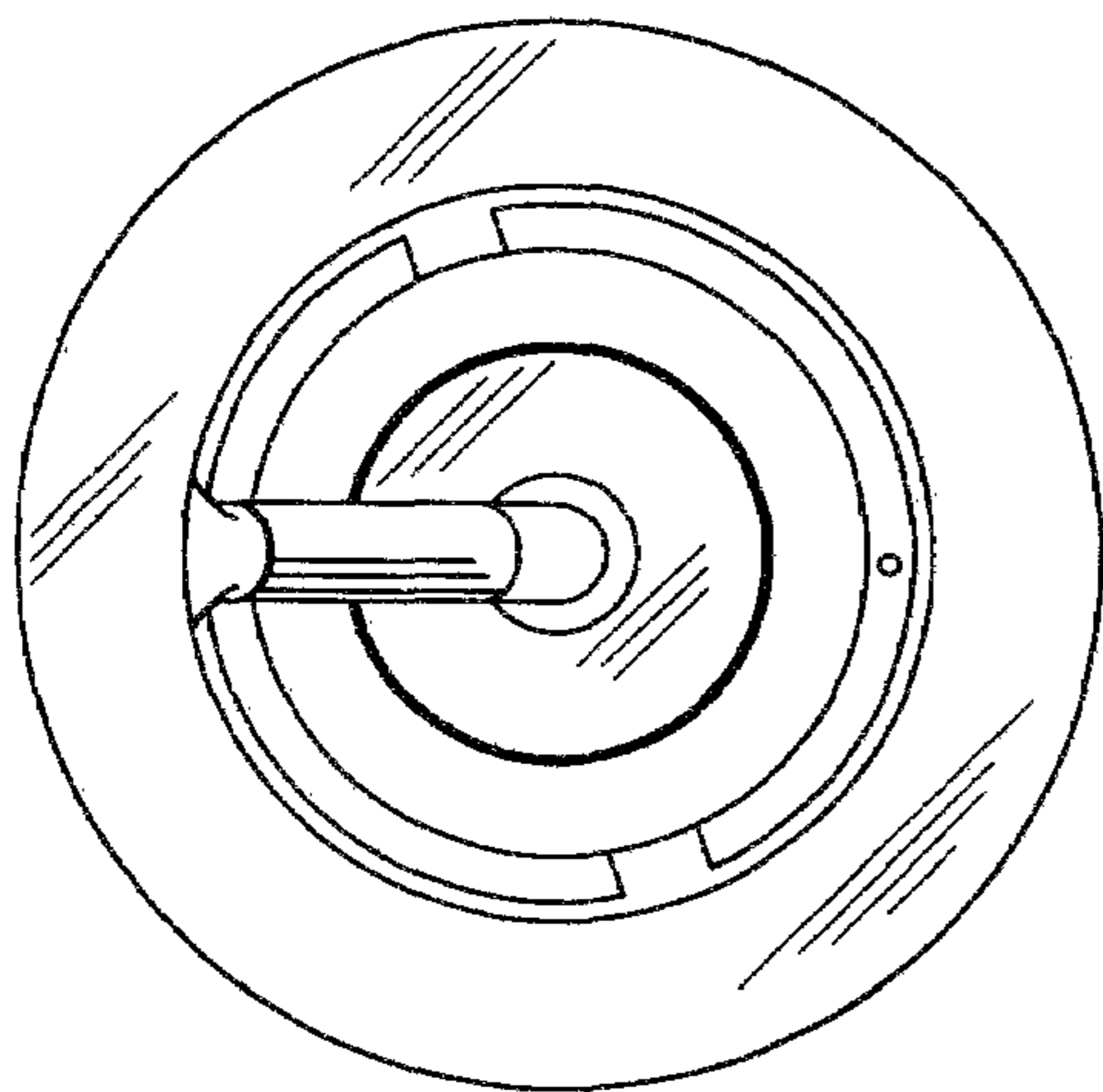


Fig. 4

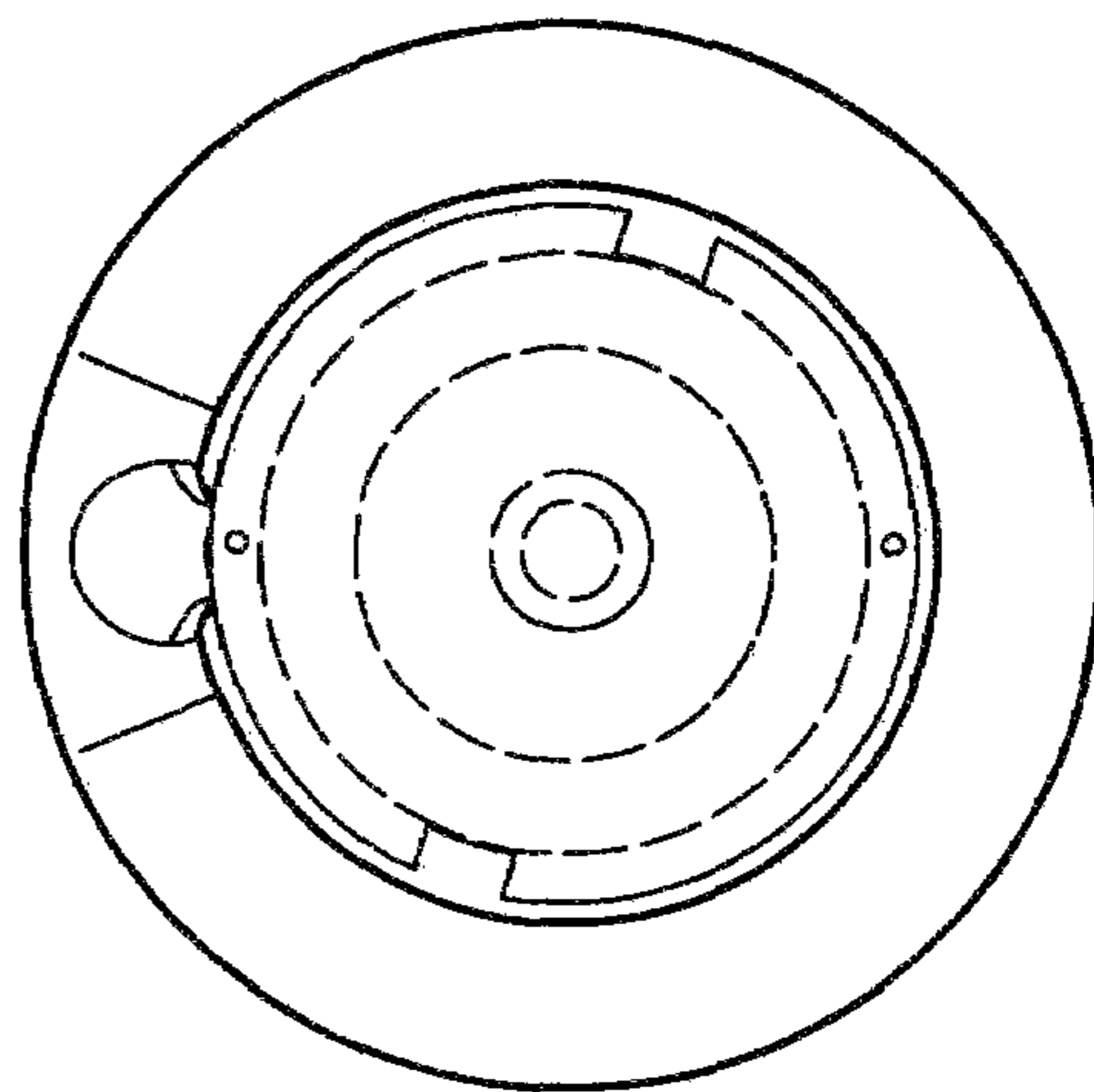


Fig. 5

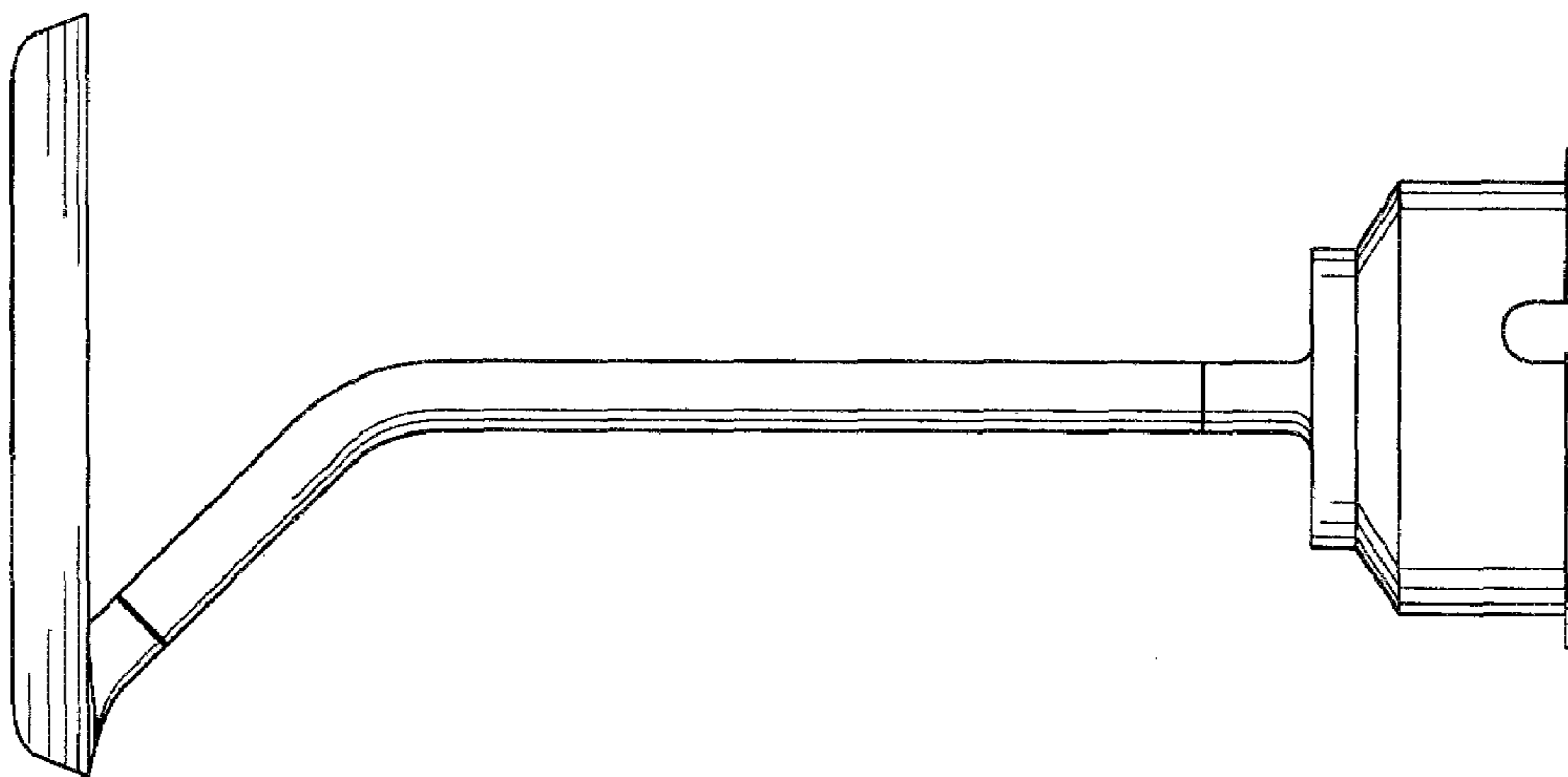


Fig. 7

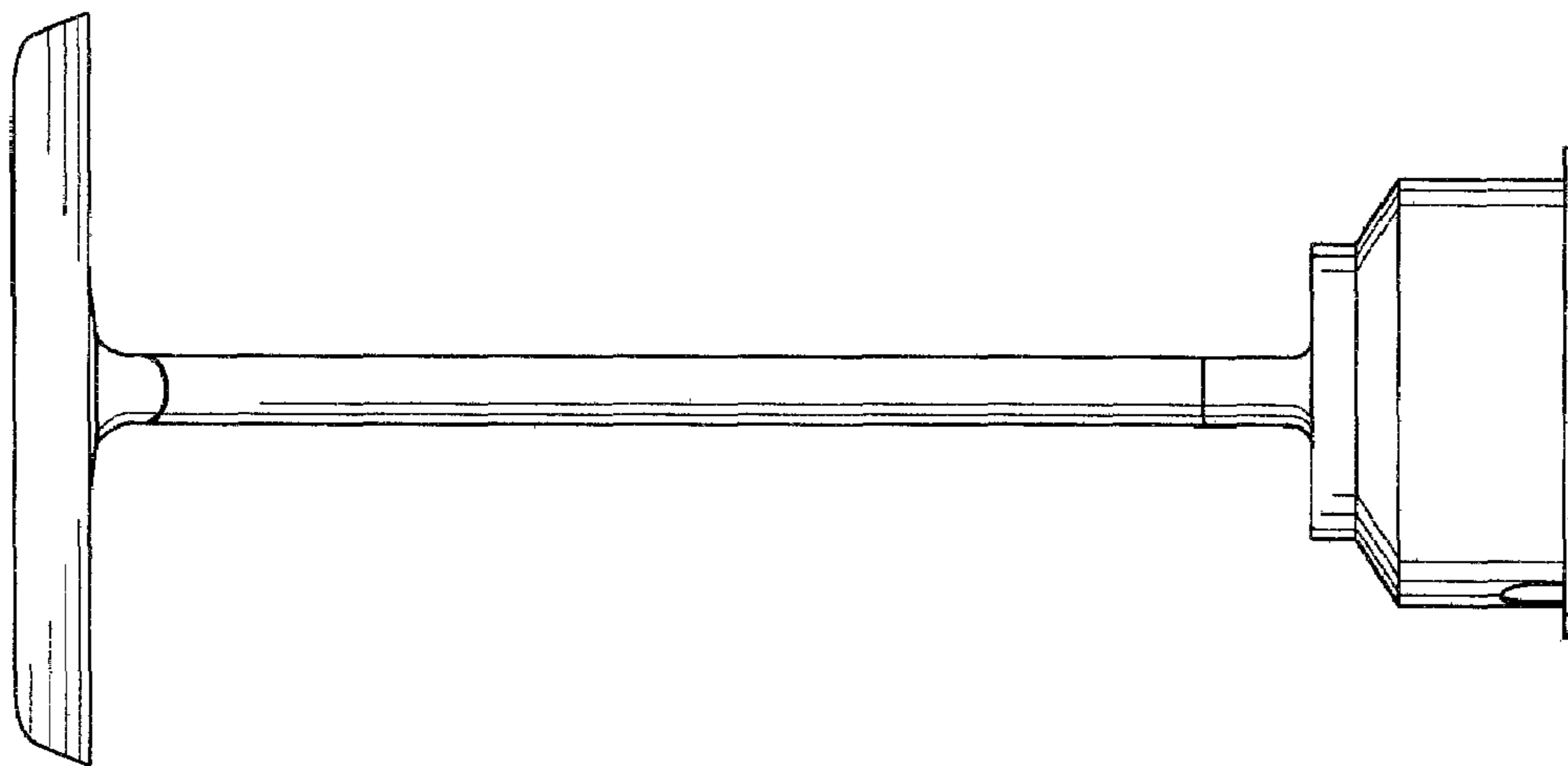


Fig. 3

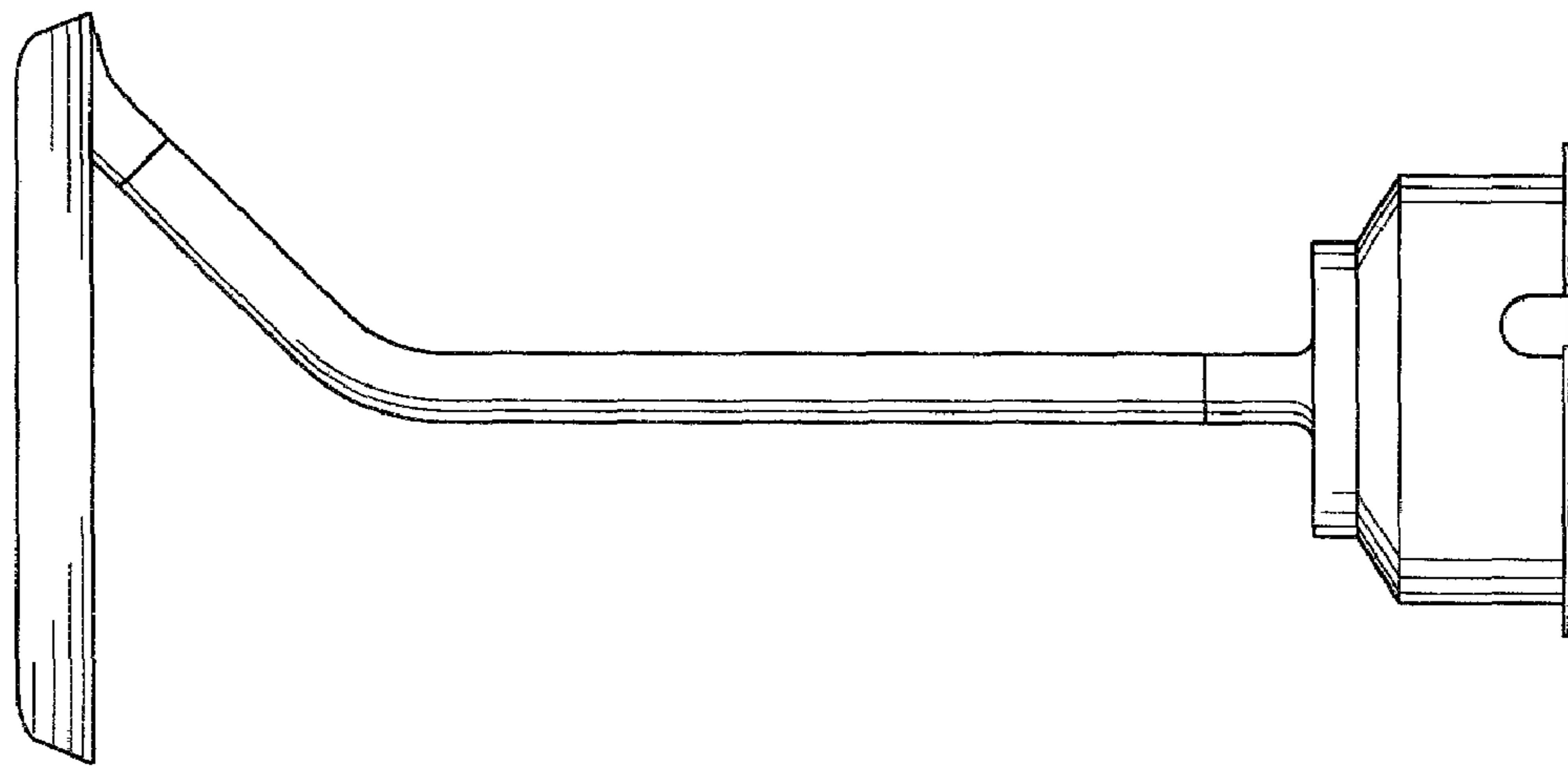


Fig. 6