



US00D589644S

(12) **United States Design Patent**
Citterio

(10) **Patent No.:** **US D589,644 S**

(45) **Date of Patent:** **** Mar. 31, 2009**

(54) **OUTDOOR FLOOR LAMP**

D412,594 S * 8/1999 Benghozi D26/107

(75) Inventor: **Antonio Citterio**, Milan (IT)

* cited by examiner

(73) Assignee: **FLOS S.p.A.**, Brescia (IT)

Primary Examiner—Brian N Vinson
(74) *Attorney, Agent, or Firm*—McGlew and Tuttle, P.C.

(**) Term: **14 Years**

(21) Appl. No.: **29/295,621**

(57) **CLAIM**

(22) Filed: **Oct. 2, 2007**

The ornamental design for a outdoor floor lamp, as shown and described.

(30) **Foreign Application Priority Data**

DESCRIPTION

Apr. 16, 2007 (EM) 000707757-0010

FIG. 1 is a perspective view of my new outdoor floor lamp design;

(51) **LOC (9) Cl.** **26-01**

FIG. 2 is a front elevation view thereof;

(52) **U.S. Cl.** **D26/107**

FIG. 3 is a rear elevation view thereof;

(58) **Field of Classification Search** D26/24,
D26/61–67, 93, 102, 104–105, 108–109;
362/509, 516, 523, 186, 217, 255, 257, 277,
362/317, 319, 351, 354, 355, 357, 358, 362,
362/382, 410, 413, 417, 806

FIG. 4 is a top view thereof;

See application file for complete search history.

FIG. 5 is a bottom view thereof;

FIG. 6 is a right side view thereof; and

FIG. 7 is a left side view thereof; and,

FIG. 8 is another perspective view thereof.

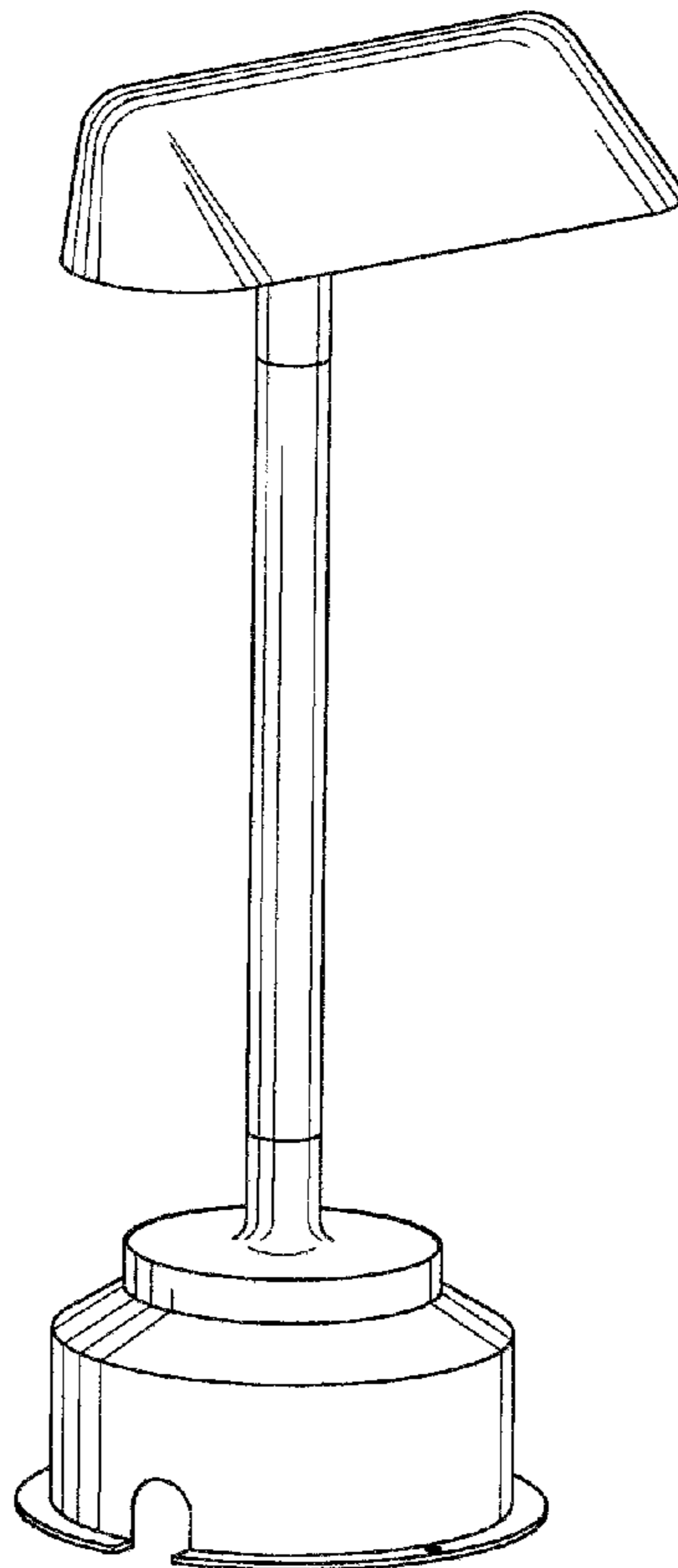
(56) **References Cited**

The broken-line disclosure in the views is for illustrative purposes only and is understood to form no part of the claimed design.

U.S. PATENT DOCUMENTS

D203,215 S * 12/1965 Koch D26/93
D251,930 S * 5/1979 Didone D26/68
D354,370 S * 1/1995 Stromberg D26/109

1 Claim, 3 Drawing Sheets



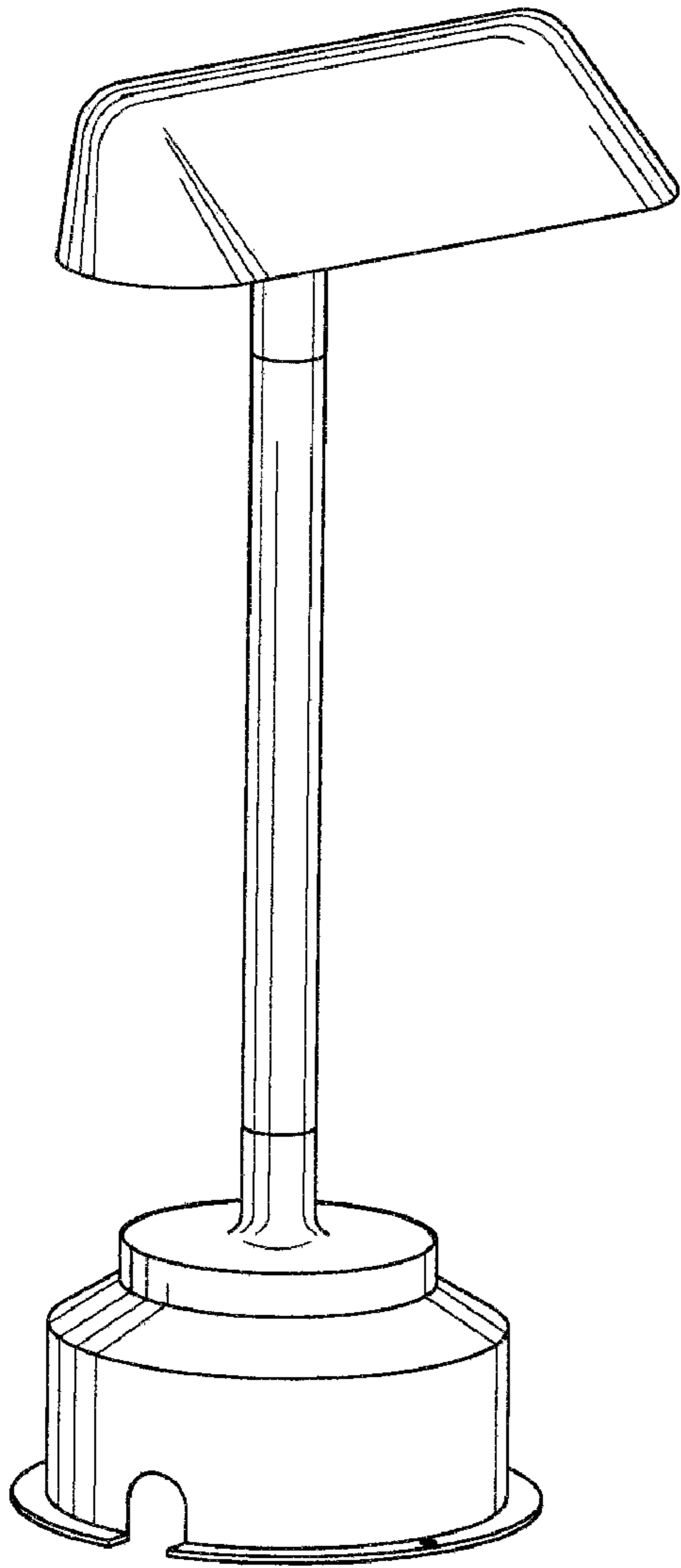


Fig. 1

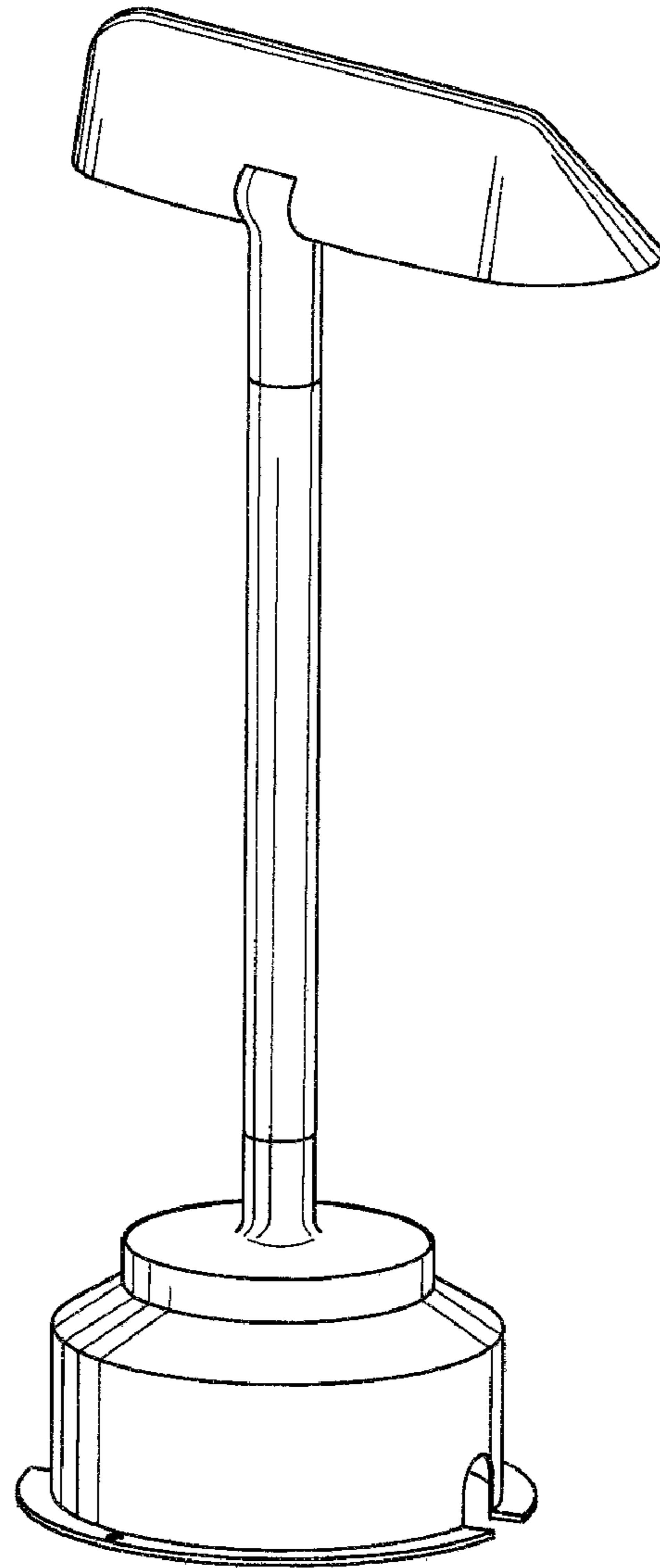


Fig. 8

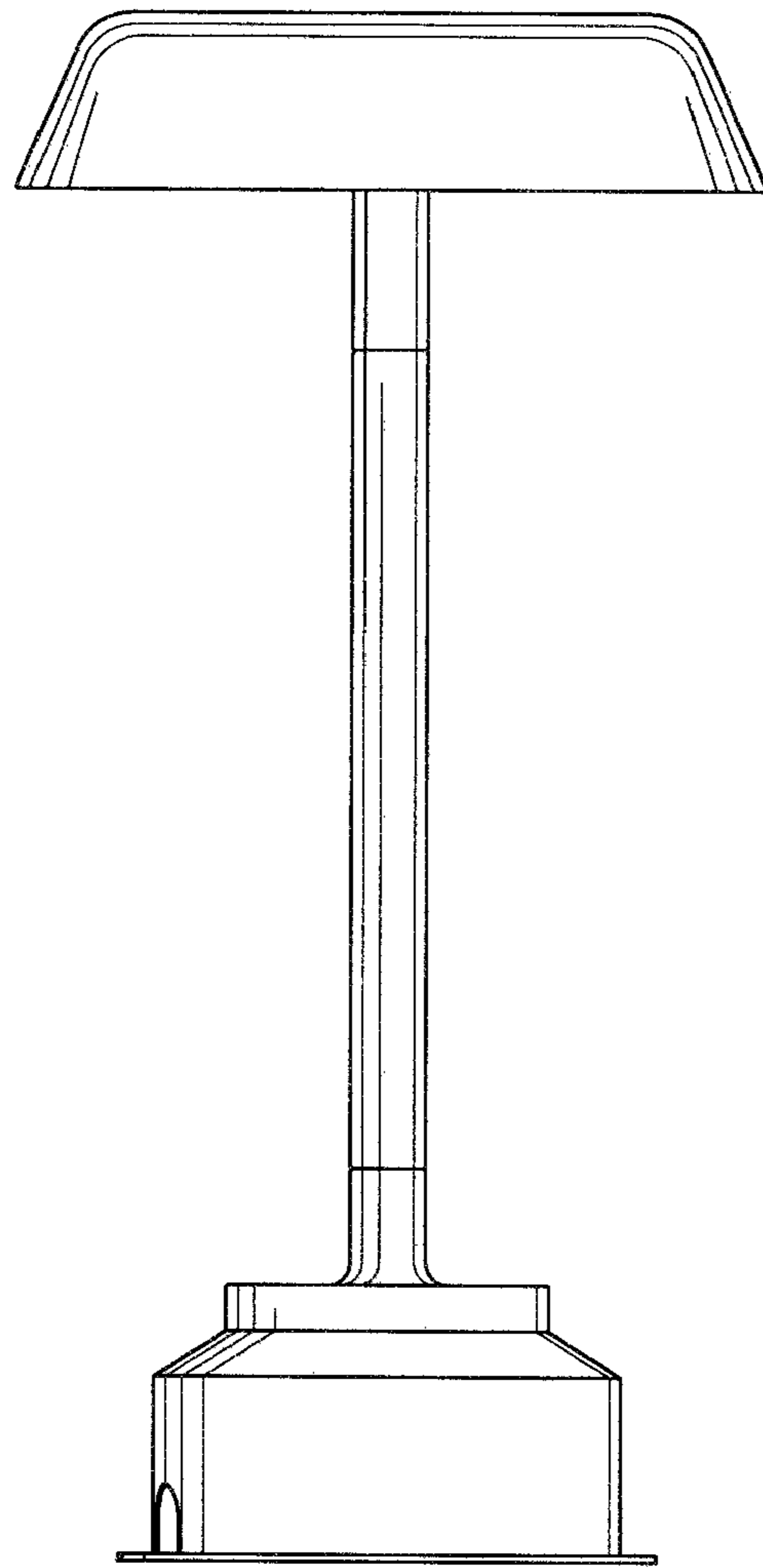


Fig. 2

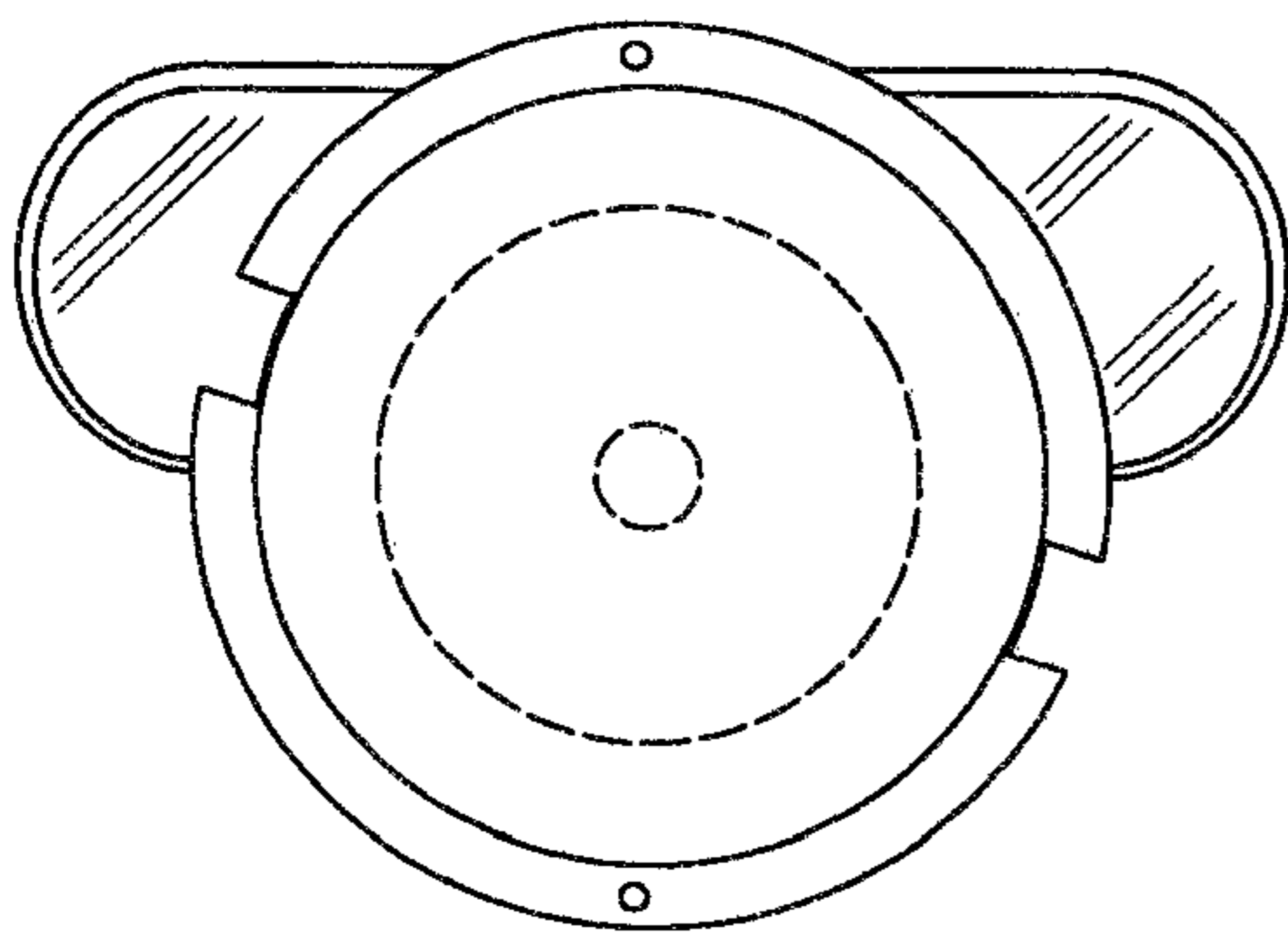


Fig. 5

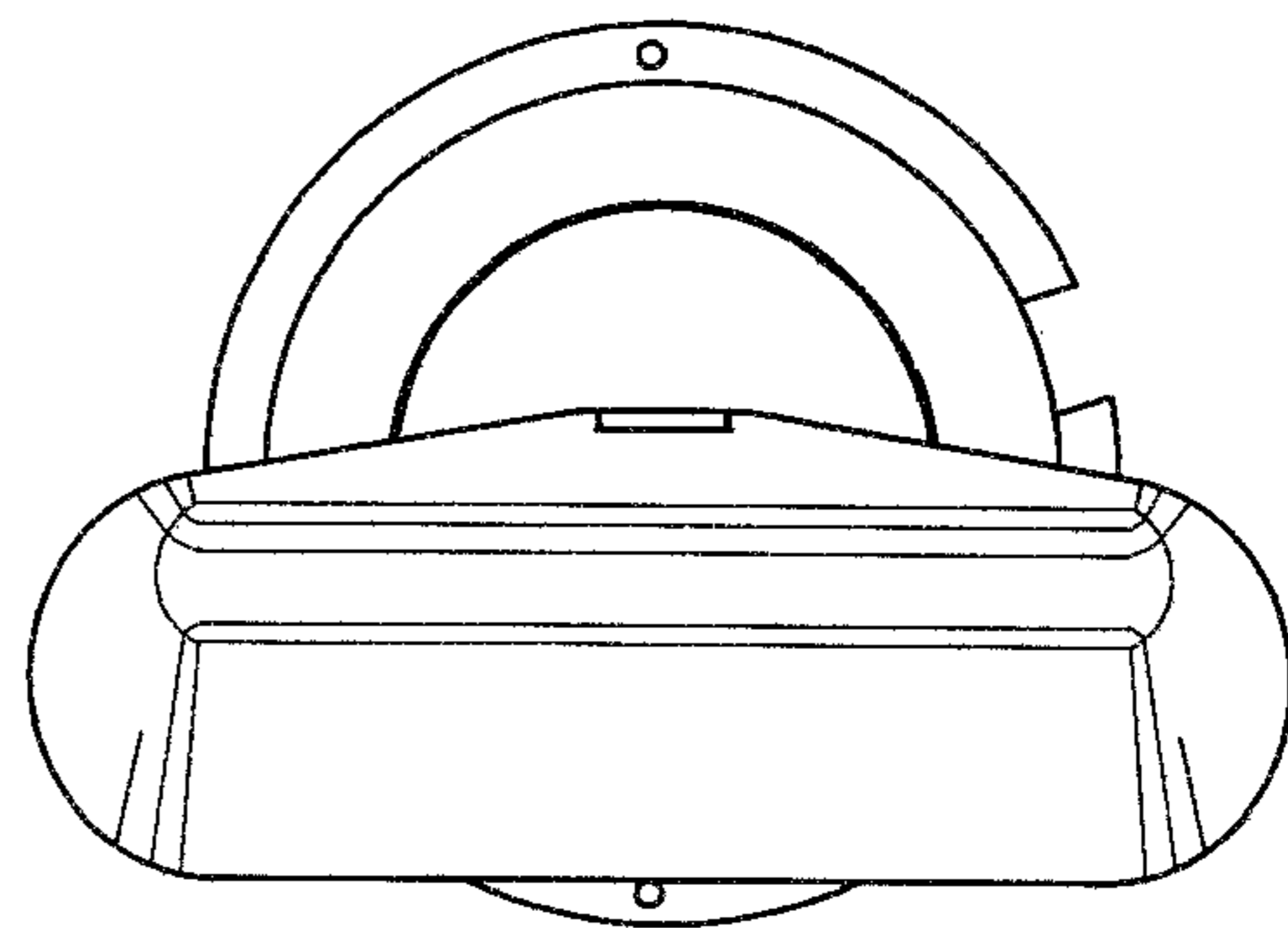


Fig. 4

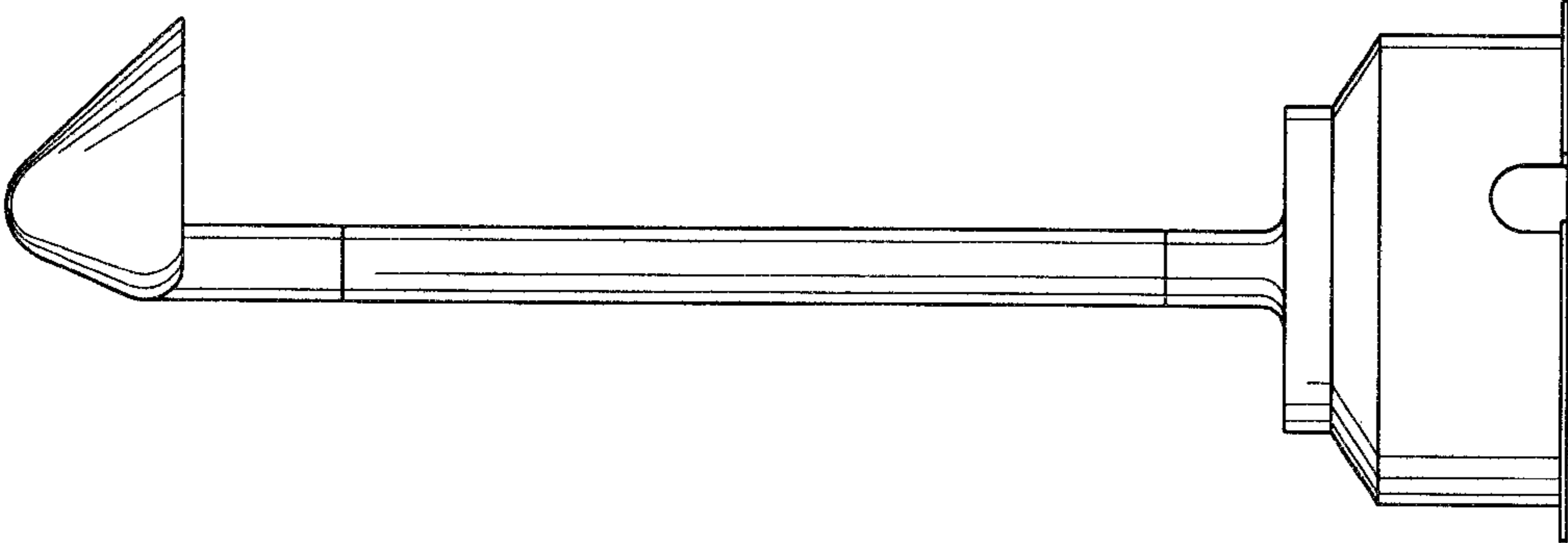


Fig. 7

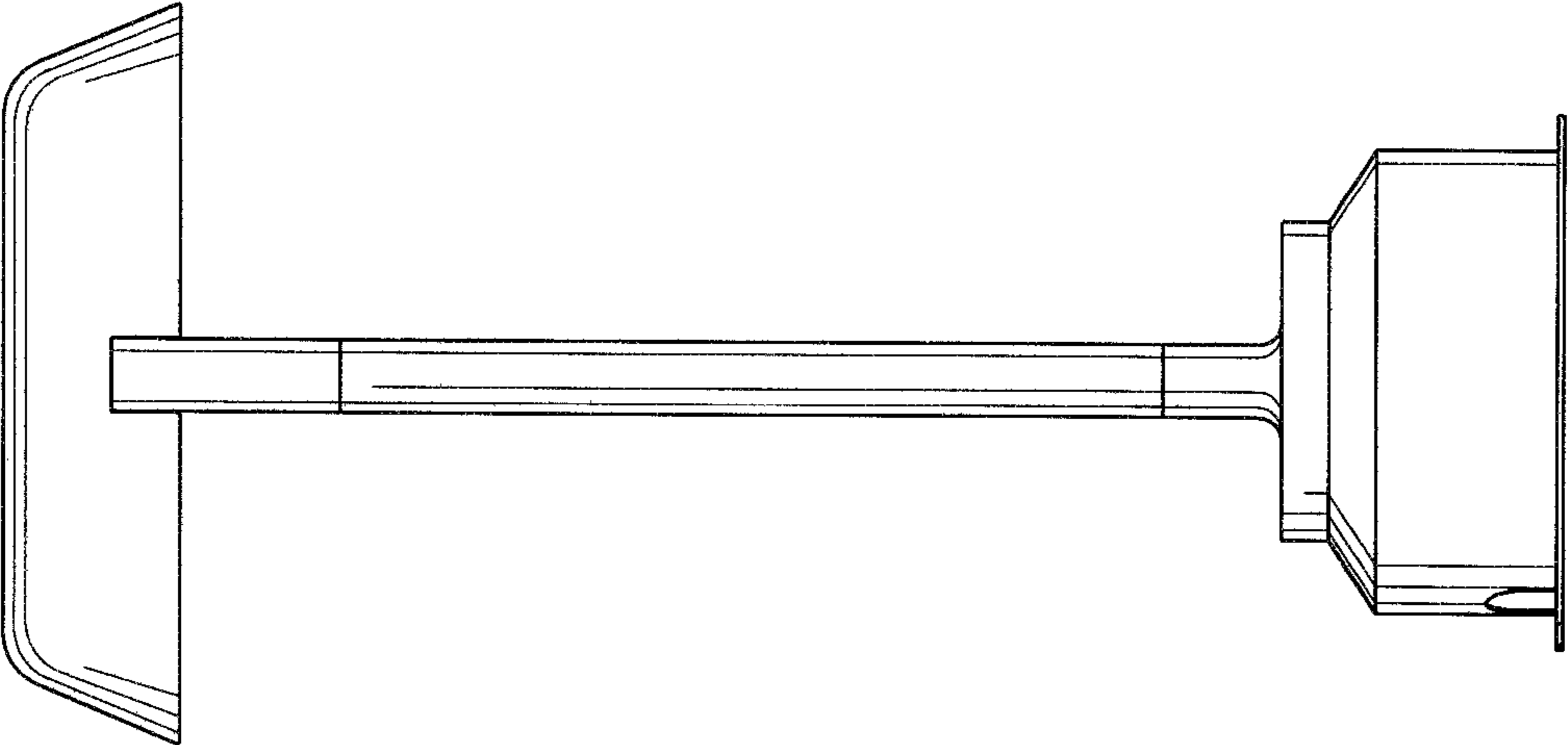


Fig. 3

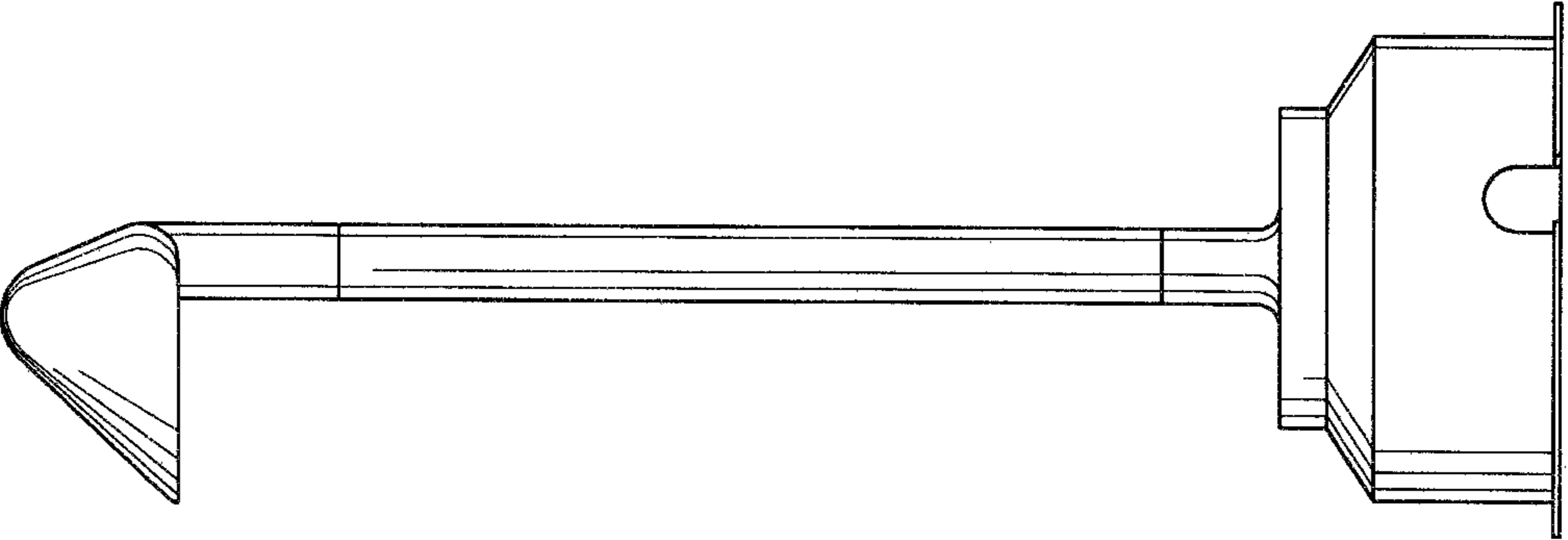


Fig. 6