



US00D589638S

(12) **United States Design Patent**
Collins

(10) **Patent No.:** **US D589,638 S**
(45) **Date of Patent:** **** Mar. 31, 2009**

(54) **LINEAR WALL OR CEILING MOUNTED LUMINAIRE WITH ROTATABLE OPTICS**

(75) Inventor: **Scotty Collins**, Tupelo, MS (US)

(73) Assignee: **Genlyte Thomas Group LLC**,
Louisville, KY (US)

(**) Term: **14 Years**

(21) Appl. No.: **29/302,633**

(22) Filed: **Jan. 21, 2008**

(51) **LOC (9) Cl.** **26-05**

(52) **U.S. Cl.** **D26/72**

(58) **Field of Classification Search** **D26/72,**
D26/74, 75, 76, 85; 362/362, 364, 257, 432,
362/217-225

See application file for complete search history.

(56) **References Cited**

U.S. PATENT DOCUMENTS

1,370,255 A 3/1921 Zimmermann, Jr.
1,413,315 A 4/1922 Correll

(Continued)

Primary Examiner—Clare E Heflin

(74) *Attorney, Agent, or Firm*—John F. Salazar; Middleton
Reutlinger

(57) **CLAIM**

The ornamental design for a linear wall or ceiling mounted luminaire with rotatable optics, as shown and described.

DESCRIPTION

FIG. 1 is a perspective view of one embodiment of the luminaire showing the design;

FIG. 2 is a right side view thereof;

FIG. 3 is a left side view thereof;

FIG. 4 is a top view thereof;

FIG. 5 is a bottom view thereof;

FIG. 6 is a front view thereof;

FIG. 7 is a rear view thereof;

FIG. 8 is a perspective view of an alternative embodiment of the luminaire of the present invention;

FIG. 9 is a top view thereof;

FIG. 10 is a bottom view thereof;

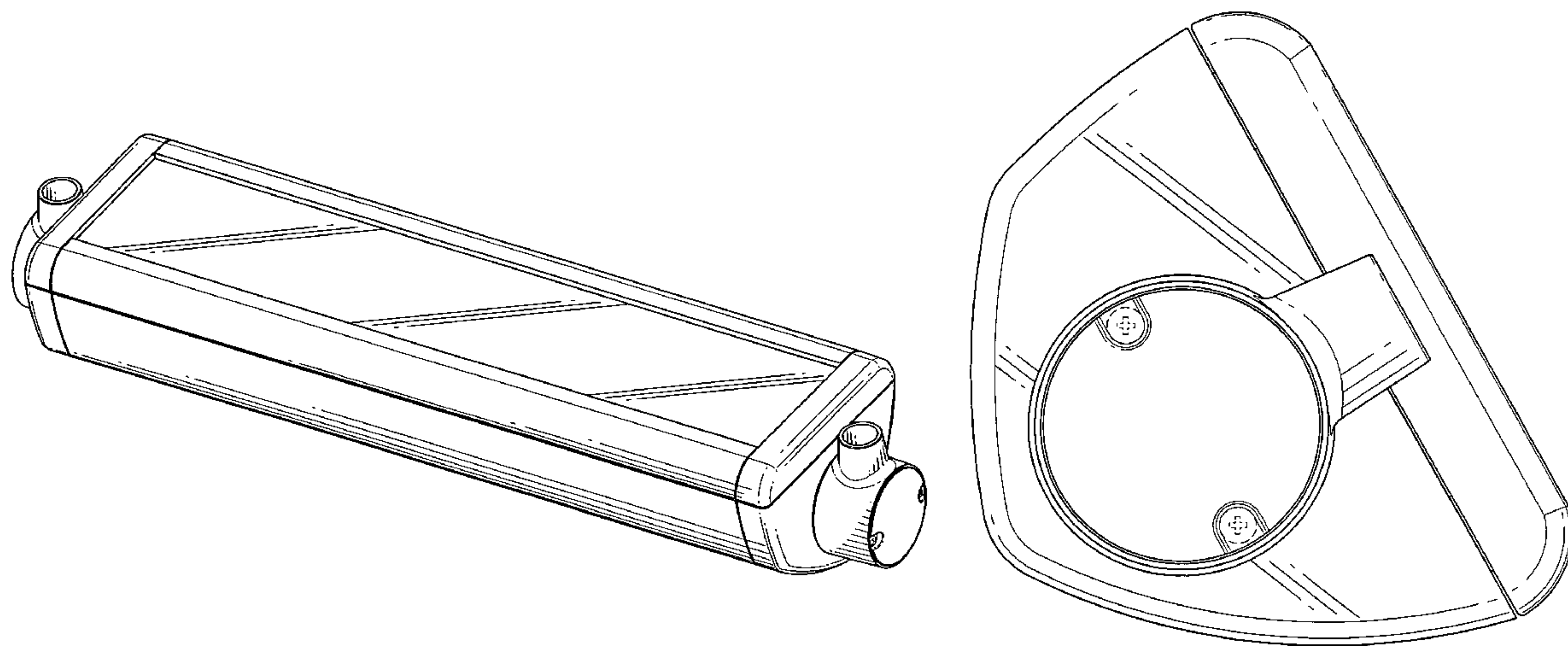
FIG. 11 is a front view thereof; and,

FIG. 12 is a rear view thereof.

With the exception of the length, it is understood that the views of the second embodiment are similar to the first embodiment.

The broken lines shown on FIGS. 2 and 3 depict environmental structure and form no part of the claimed design.

1 Claim, 12 Drawing Sheets



US D589,638 S

Page 2

U.S. PATENT DOCUMENTS					
			6,135,613 A	10/2000	Bodell et al.
1,429,762 A	9/1922	Oliver	D433,763 S	11/2000	Donato
1,568,942 A	1/1926	Haley	D436,211 S	1/2001	Neeld et al.
1,590,130 A	6/1926	Sturgeon, Jr.	D436,678 S	1/2001	Mier-Langner et al.
1,770,726 A	7/1930	Bauersfeld	D437,437 S	2/2001	Donato
RE17,825 E	10/1930	Linton et al.	D437,953 S	2/2001	Donato
1,821,955 A	9/1931	Wuelker	D438,326 S	2/2001	Kan
2,089,610 A	8/1937	Kloos	D440,343 S	4/2001	Littman
D113,125 S	1/1939	Stewart	D443,940 S	6/2001	Donato
2,143,673 A	1/1939	Buamgartner	D443,945 S	6/2001	Littman
2,202,266 A	5/1940	Phillips	D444,251 S	6/2001	Donato
2,242,590 A	5/1941	Moreau	D445,936 S	7/2001	Mier-Langner et al.
D130,059 S	10/1941	Herr	D445,943 S	7/2001	Littman
D163,762 S	6/1951	McCann	D446,874 S	8/2001	Demshki
2,595,520 A	5/1952	Guerin	D447,260 S	8/2001	Demshki
3,679,893 A	7/1972	Shemitz et al.	D449,397 S	10/2001	Demshki
3,701,898 A	10/1972	McNamara, Jr.	D450,405 S	11/2001	Demshki
3,902,059 A	8/1975	McNamara, Jr.	D455,518 S	4/2002	Littman
4,128,333 A	12/1978	Levin et al.	D457,679 S	5/2002	Littman
4,153,929 A	5/1979	Laudenschlager et al.	D457,977 S	5/2002	Mier-Langner et al.
D280,346 S	8/1985	Aspenwall	6,382,817 B1	5/2002	Chelf
D286,206 S	10/1986	Joosten et al.	D459,014 S	6/2002	Chen
D295,329 S	4/1988	Roos et al.	D459,514 S	6/2002	Mier-Langner et al.
D349,173 S	7/1994	Fellinger	D460,835 S	7/2002	Chen
D356,382 S	3/1995	Jaksich	D461,019 S	7/2002	Donato
D359,574 S	6/1995	Bornhorst et al.	D463,879 S	10/2002	Mier-Langner et al.
D360,959 S	8/1995	Donato et al.	D464,162 S *	10/2002	Segretto D26/85
D370,069 S	5/1996	Mier-Langner et al.	D472,337 S	3/2003	Bernhart et al.
D370,075 S	5/1996	Mier-Langner et al.	D474,304 S	5/2003	Mier-Langner et al.
D371,861 S	7/1996	Stamm	D475,157 S	5/2003	Mier-Langner et al.
D380,847 S	7/1997	Mier-Langner et al.	D476,441 S	6/2003	Mier-Langner et al.
D385,372 S	10/1997	Mier-Langner et al.	D505,221 S	5/2005	Hetfield
D389,260 S	1/1998	Mier-Langner et al.	D509,616 S	9/2005	Hetfield
D394,723 S	5/1998	Mier-Langner et al.	D511,222 S	11/2005	Hetfield
5,765,939 A	6/1998	Tanner, Jr.	D523,165 S *	6/2006	Schultz D26/76
D402,964 S	12/1998	Kuchar et al.	D513,439 S	1/2007	Hetfield
D413,176 S	8/1999	Mier-Langner	D537,186 S *	2/2007	Weddell D26/80
D417,300 S	11/1999	Stacy et al.	D563,020 S *	2/2008	Campagna D26/72
5,988,829 A	11/1999	Holder	D581,079 S *	11/2008	Mier-Lagner D26/72
D430,326 S	8/2000	Littman	2007/0171658 A1 *	7/2007	Tickner 362/362
D433,178 S	10/2000	Donato			

* cited by examiner

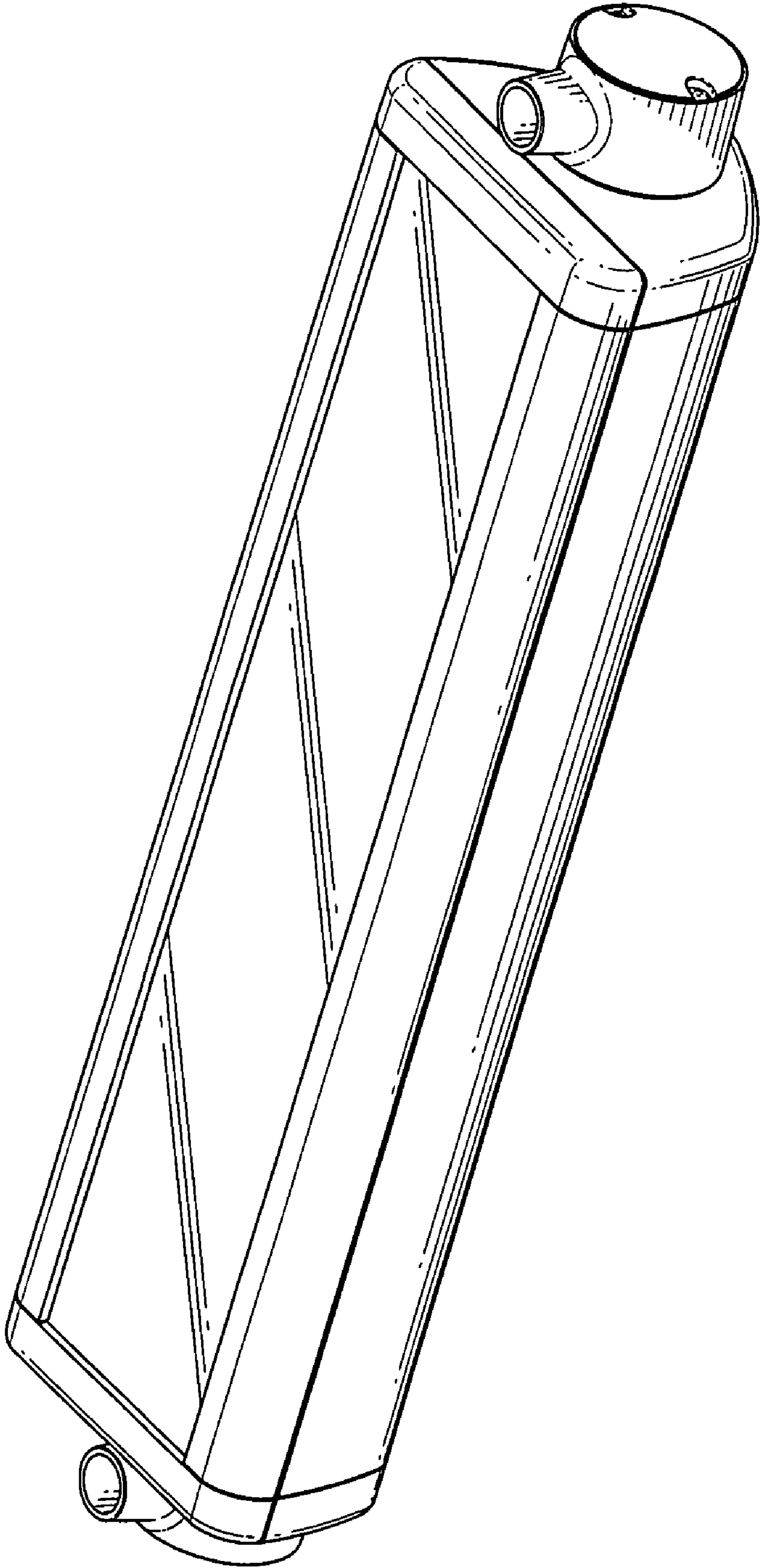


FIG. 1

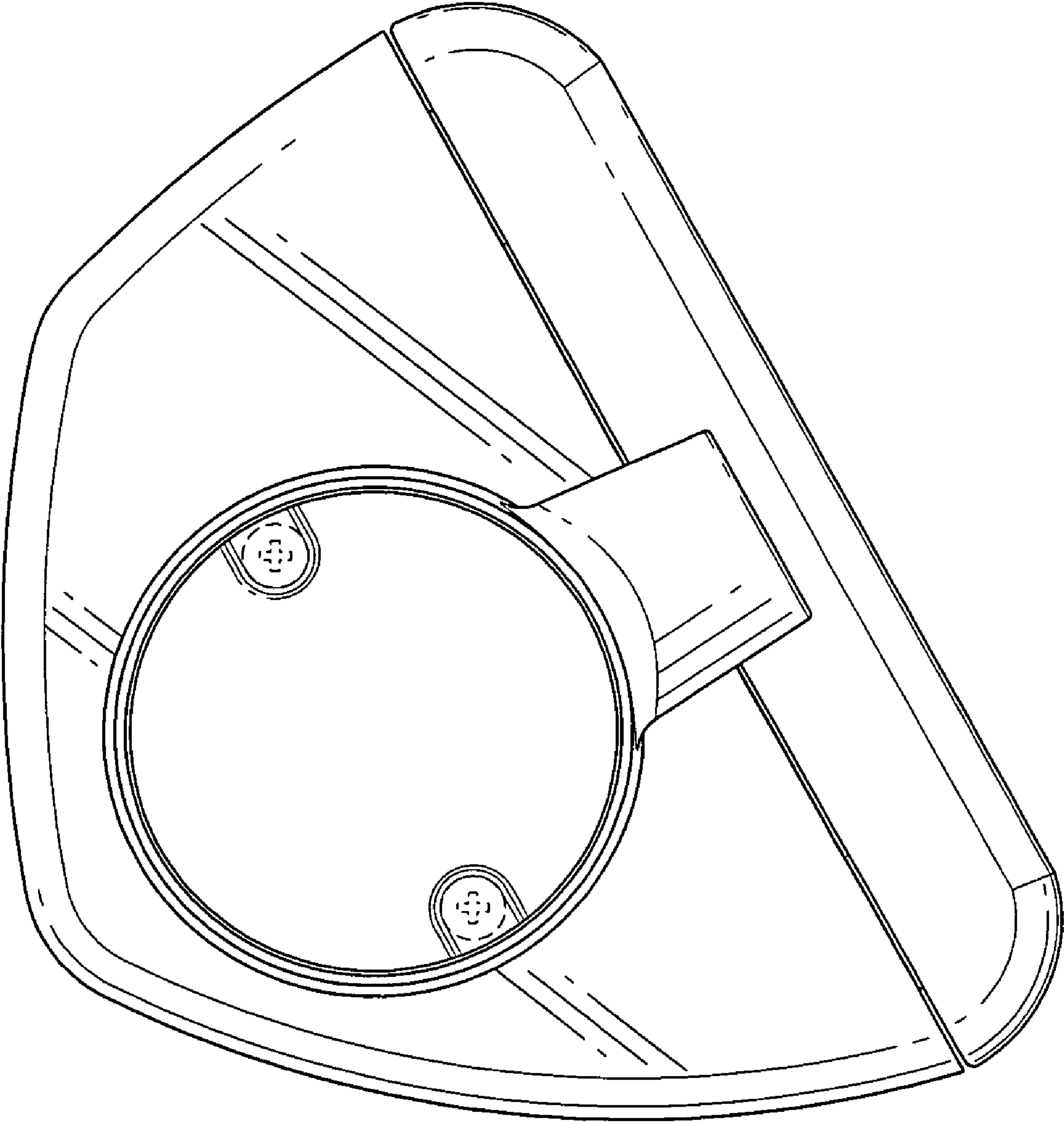


FIG. 2

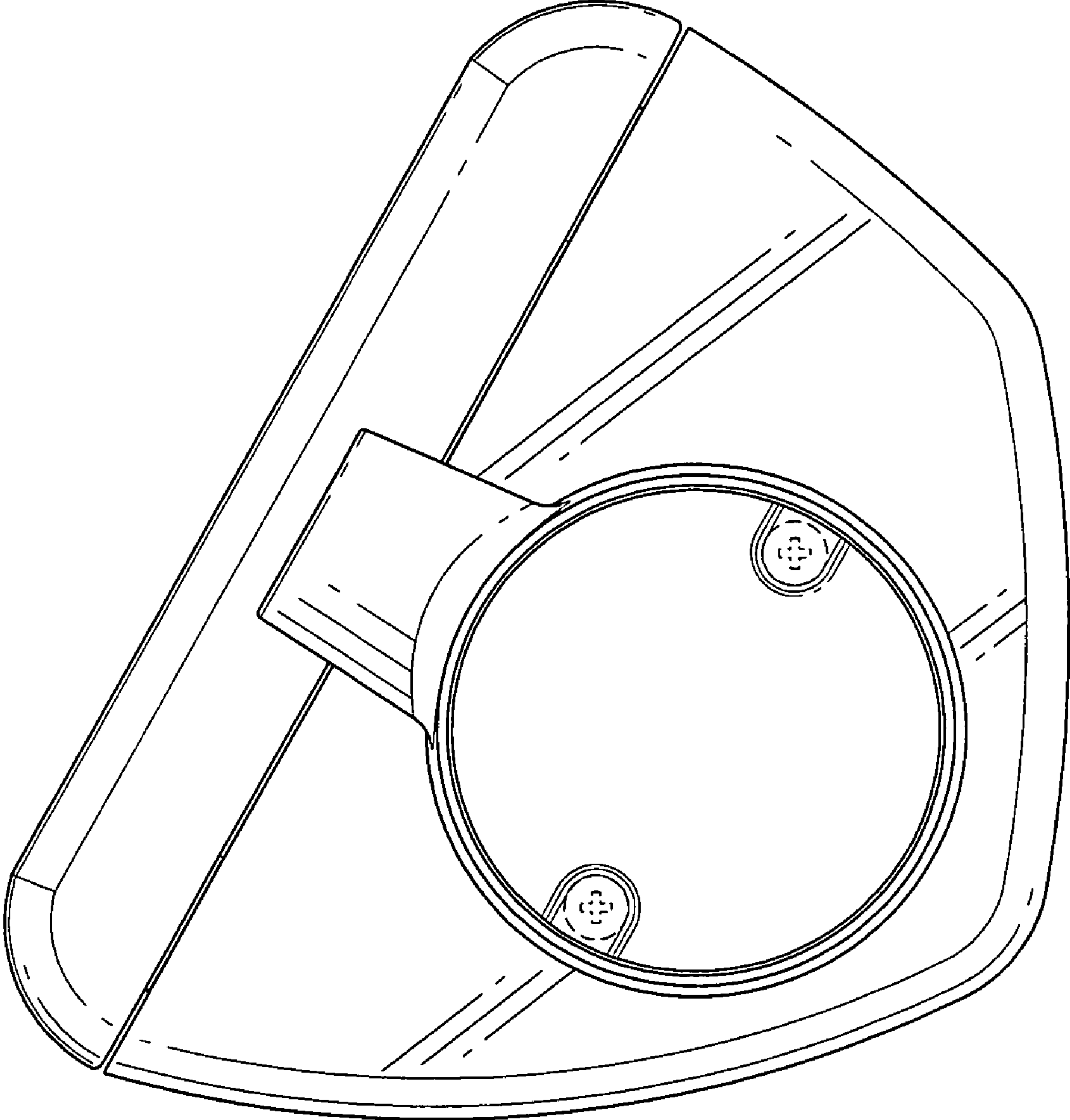


FIG. 3

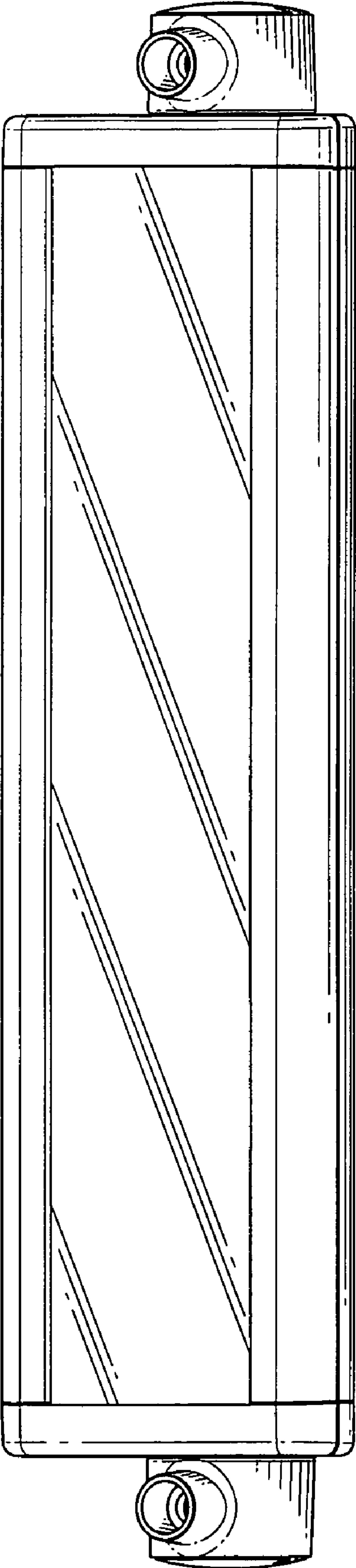


FIG. 4

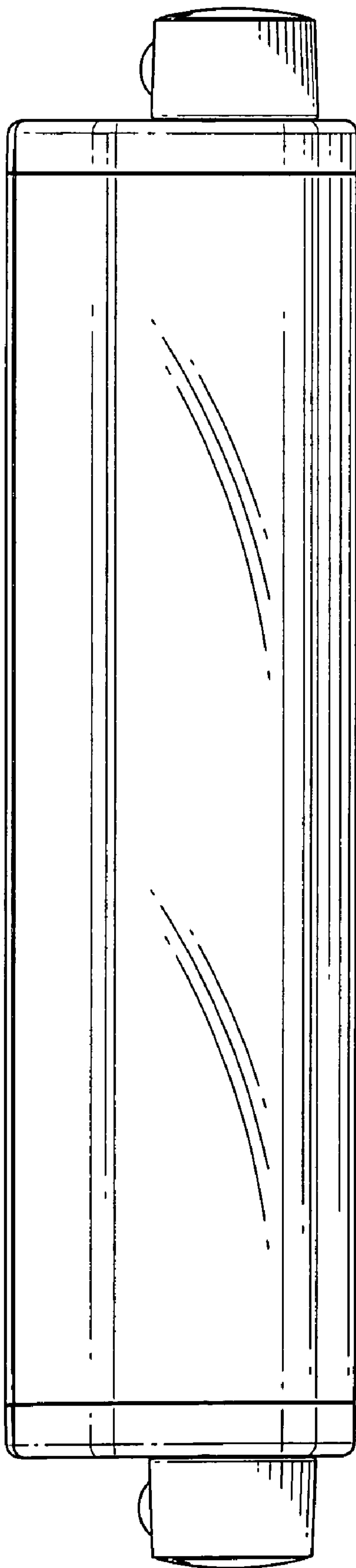


FIG. 5

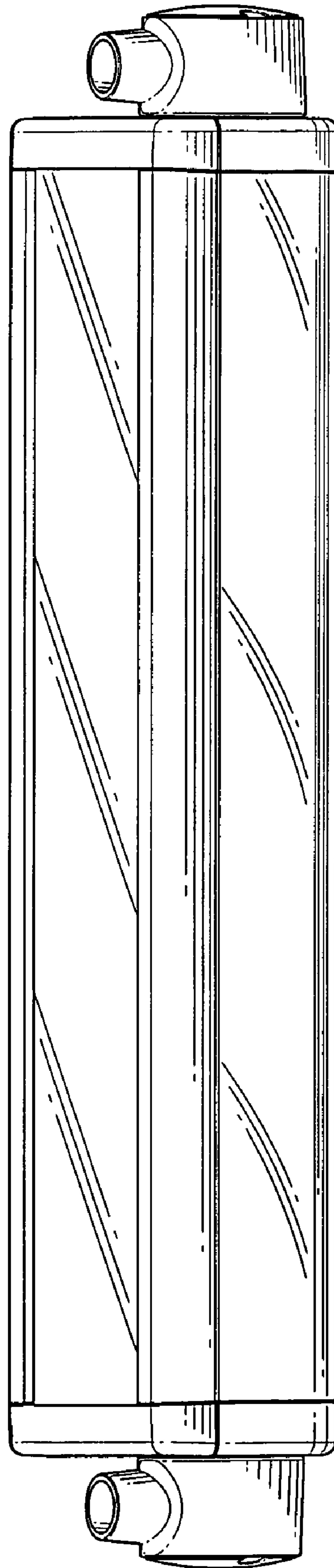


FIG. 6

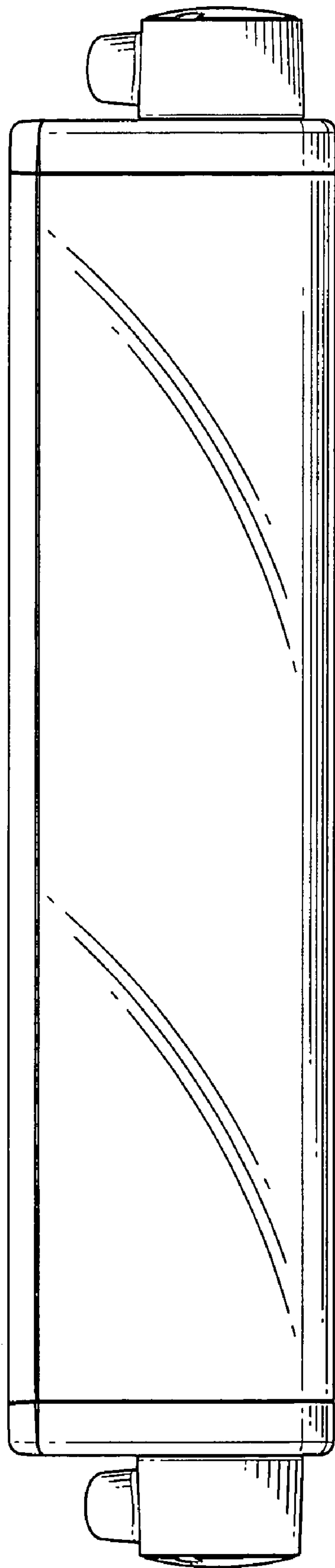


FIG. 7

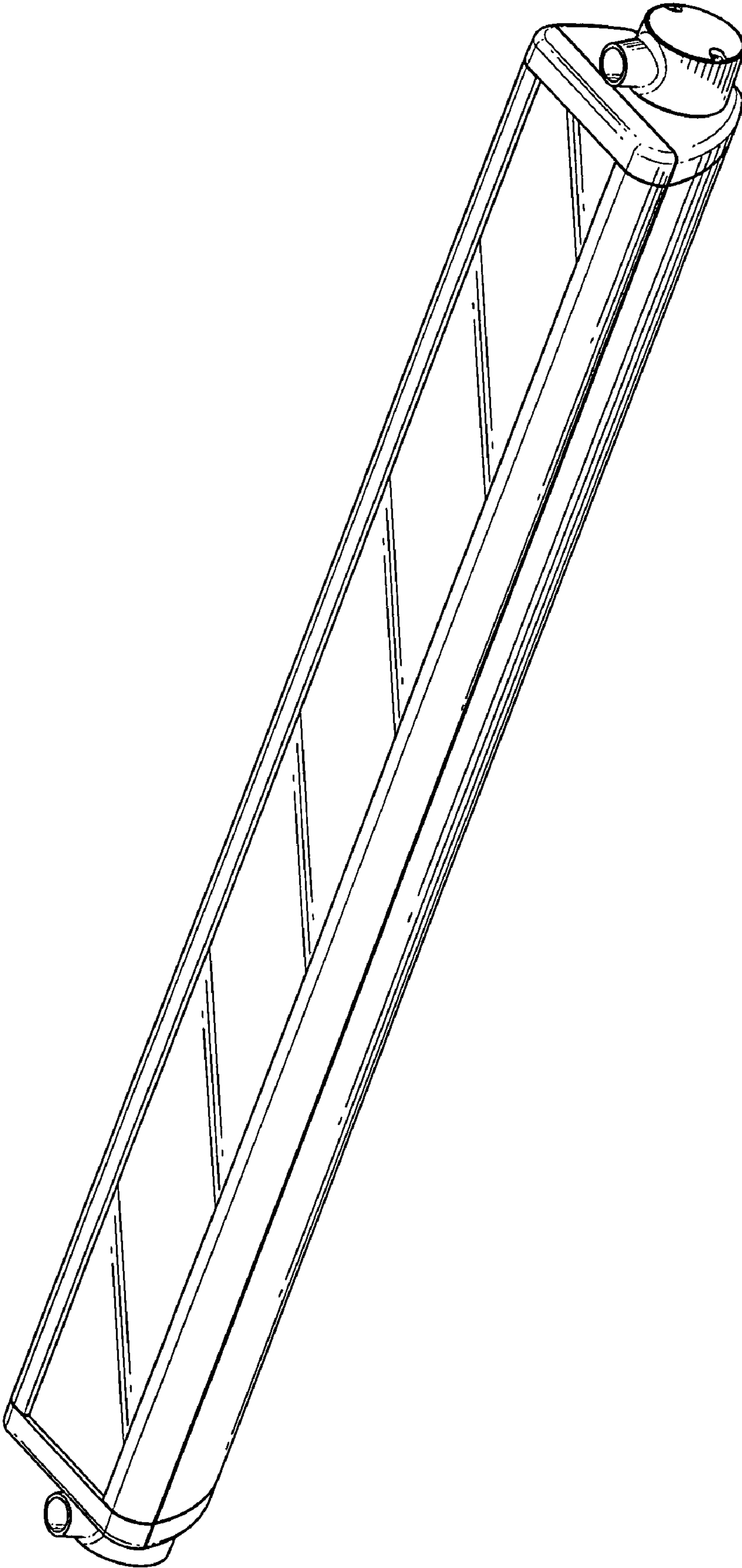


FIG. 8

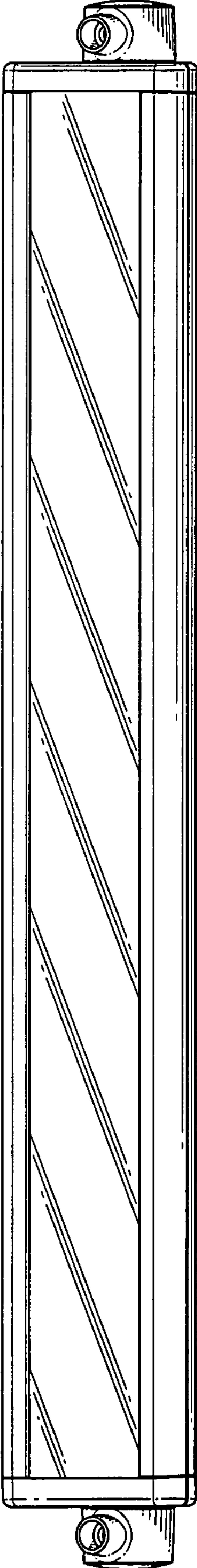


FIG. 9

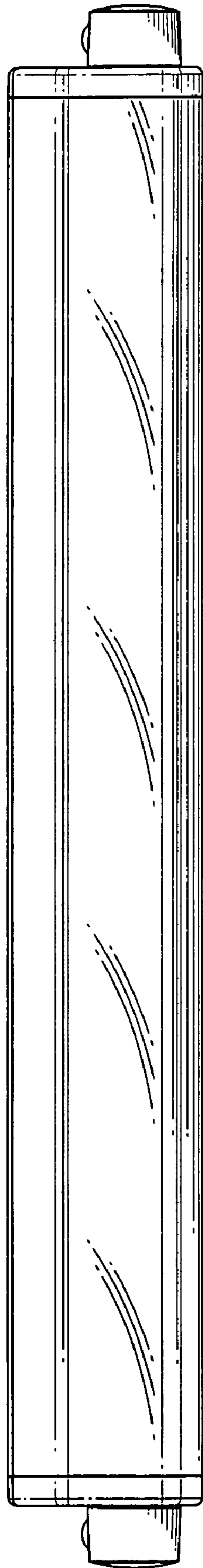


FIG. 10

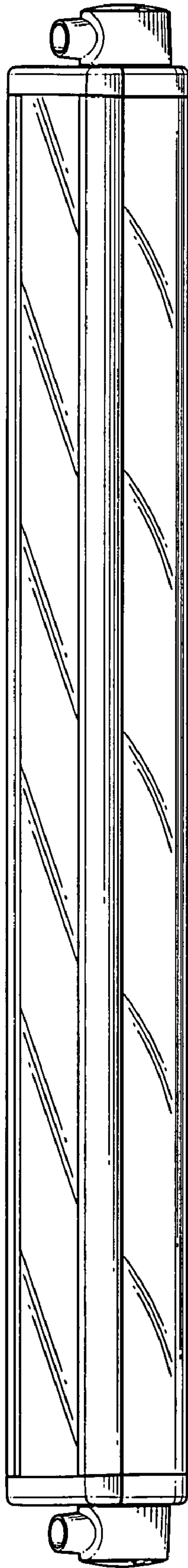


FIG. 11

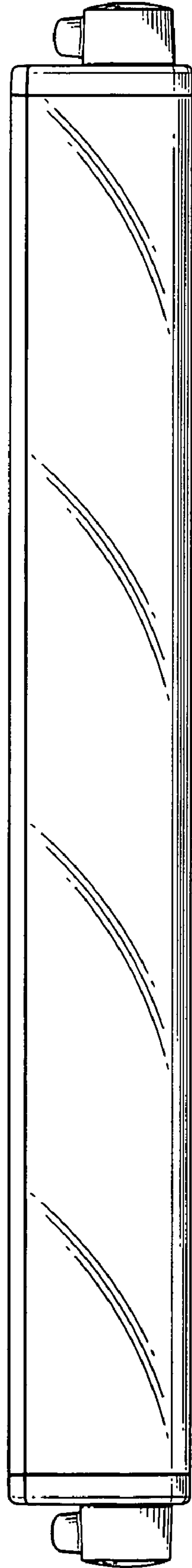


FIG. 12