



US00D589637S

(12) **United States Design Patent**  
**Sabernig**

(10) **Patent No.:** **US D589,637 S**  
(45) **Date of Patent:** **\*\* Mar. 31, 2009**

(54) **LIGHT FIXTURE**

- (75) Inventor: **Robert Sabernig**, Munster (AT)
- (73) Assignee: **EGLO Leuchten GmbH**, Innsbruck (AT)
- (\*\*) Term: **14 Years**
- (21) Appl. No.: **29/325,100**
- (22) Filed: **Sep. 25, 2008**

**Related U.S. Application Data**

- (63) Continuation-in-part of application No. 29/304,771, filed on Mar. 7, 2008.
- (51) **LOC (9) Cl.** ..... **26-05**
- (52) **U.S. Cl.** ..... **D26/63**
- (58) **Field of Classification Search** ..... D26/61-67, D26/83, 86, 87, 89, 128; 362/147, 237, 238, 362/250, 282, 283, 285, 287, 288, 371, 426, 362/648

See application file for complete search history.

(56) **References Cited**

**U.S. PATENT DOCUMENTS**

D147,600	S	*	9/1947	Simon et al.	.....	D26/65
D180,251	S	*	5/1957	Stiffel	.....	D26/65
D236,022	S	*	7/1975	Magistrettid	.....	D26/66
4,118,760	A	*	10/1978	Cohon	.....	362/239
D395,140	S	*	6/1998	O'Rourke	.....	D26/63
6,244,733	B1	*	6/2001	Fong et al.	.....	362/147
D465,298	S	*	11/2002	Gottwald	.....	D26/85
D496,749	S	*	9/2004	Kuebler	.....	D26/77
7,246,935	B2	*	7/2007	Benghozi et al.	.....	362/648

**OTHER PUBLICATIONS**

Item #FYG9009-15D shown on p. 152 of Cens Taiwan Lighting, vol. 79, Mar. 2005.\*

\* cited by examiner

*Primary Examiner*—Clare E Heflin

(74) *Attorney, Agent, or Firm*—Baker & McKenzie LLP

(57) **CLAIM**

The ornamental design for a light fixture, as shown and described.

**DESCRIPTION**

FIG. 1 is a perspective view of a light fixture in accordance with my design, illustrating adjustable positions;

FIG. 2 is a bottom elevation view of the light fixture in accordance with my design, illustrating adjustable positions;

FIG. 3 is a top elevation view of the light fixture in accordance with my design, illustrating adjustable positions;

FIG. 4 is a front plan view of the light fixture in accordance with my design, illustrating adjustable positions;

FIG. 5 is a back plan view of the light fixture in accordance with my design, illustrating adjustable positions;

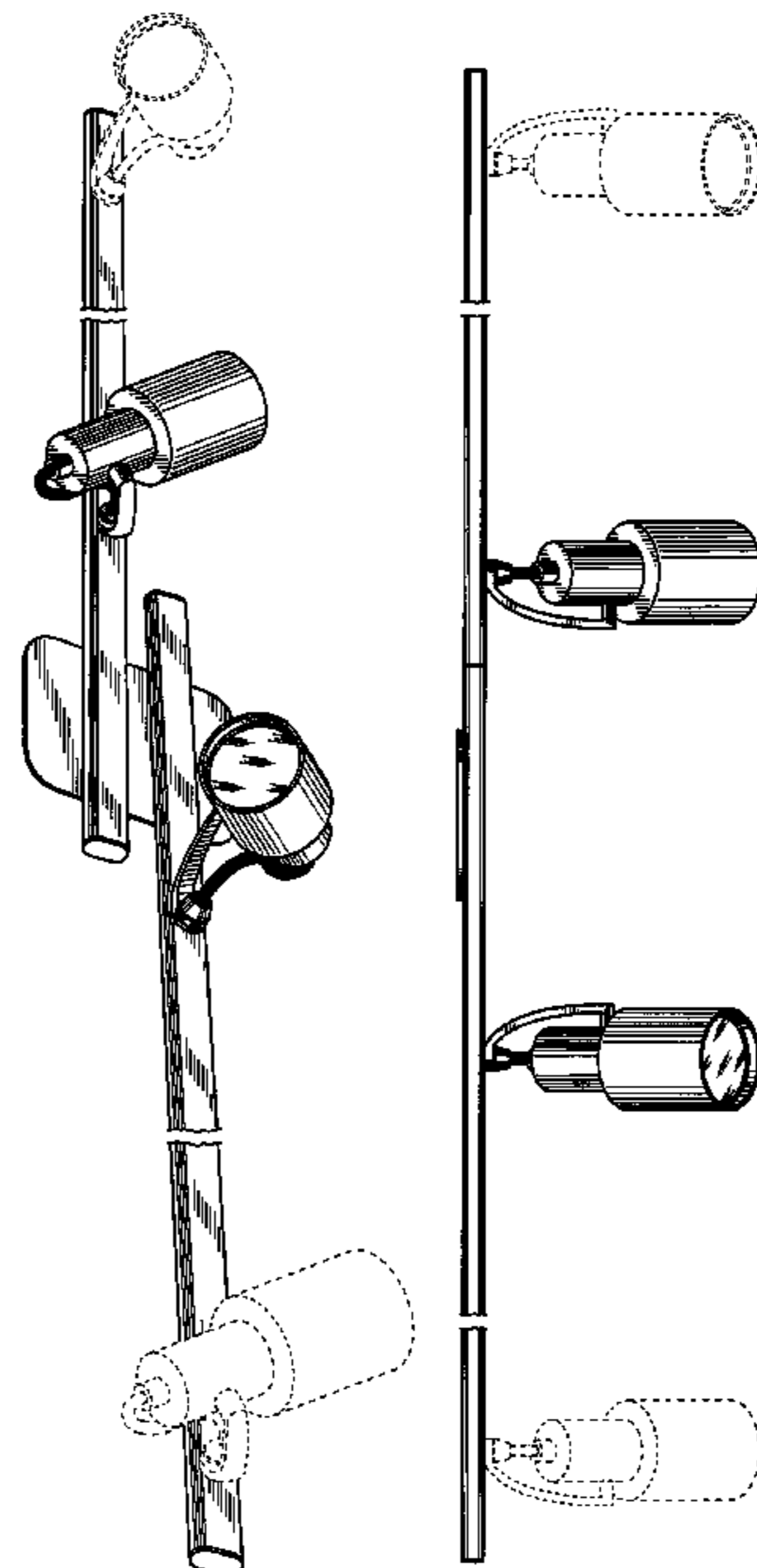
FIG. 6 is a side elevation view of the light fixture in accordance with my design, illustrating adjustable positions; and,

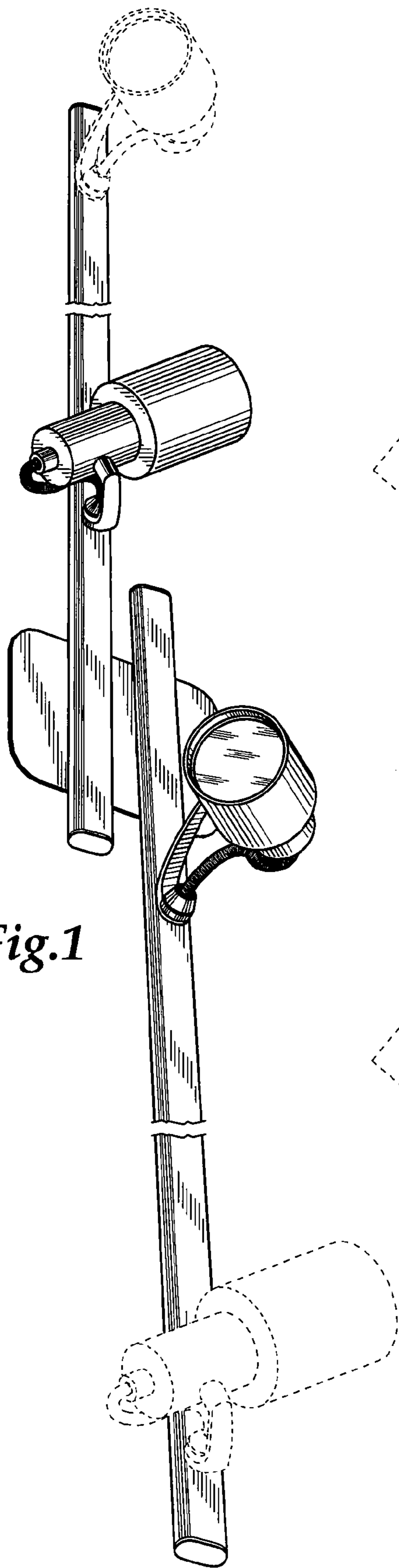
FIG. 7 is an opposite side elevation view of the light fixture in accordance with my design, illustrating adjustable positions.

The broken lines showing environmental structure are for illustrative purposes only and form no part of the claimed design.

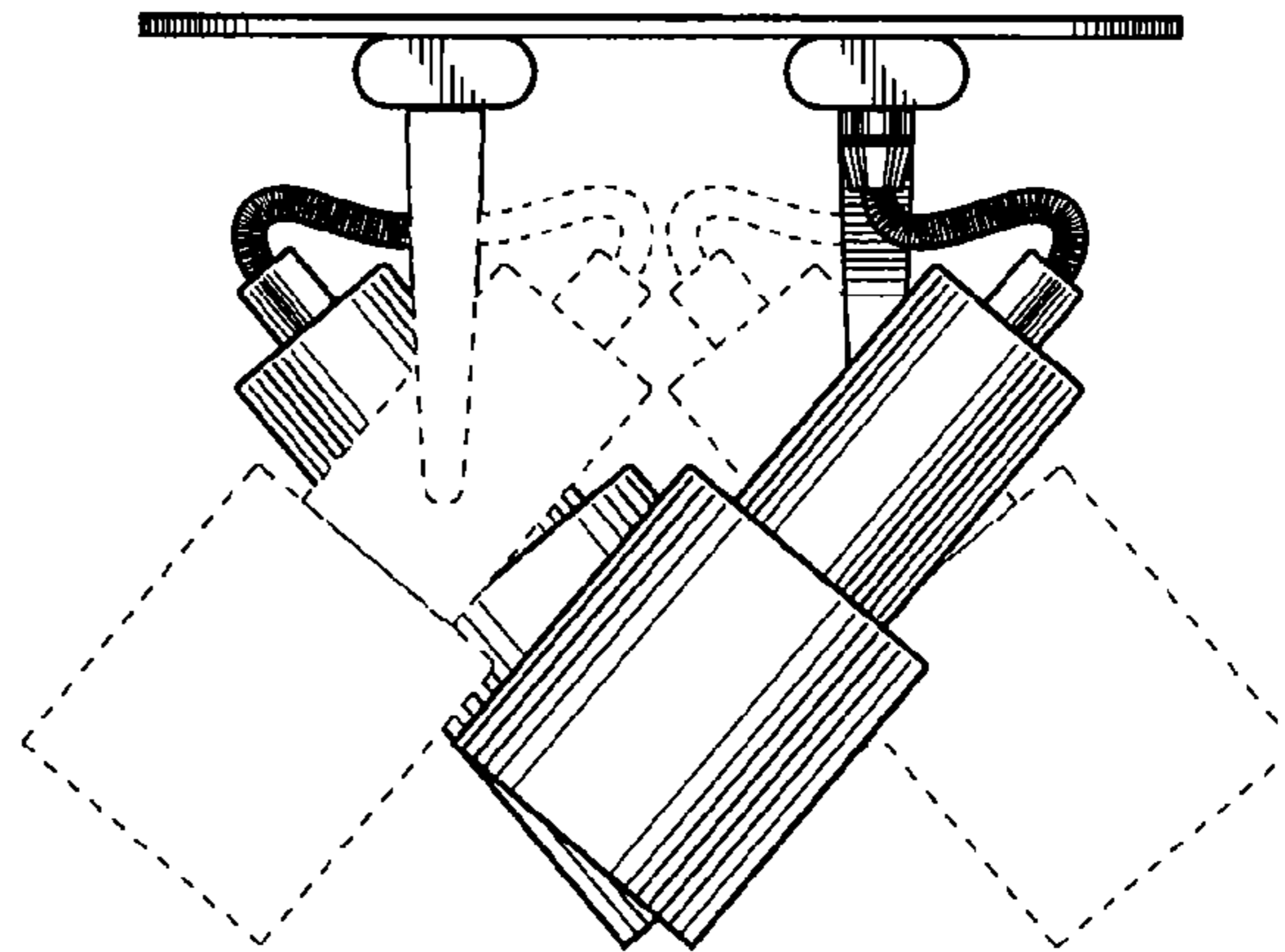
The light fixture of FIGS. 1 and 4-7 is shown with a portion broken away to indicate indeterminate length.

**1 Claim, 3 Drawing Sheets**

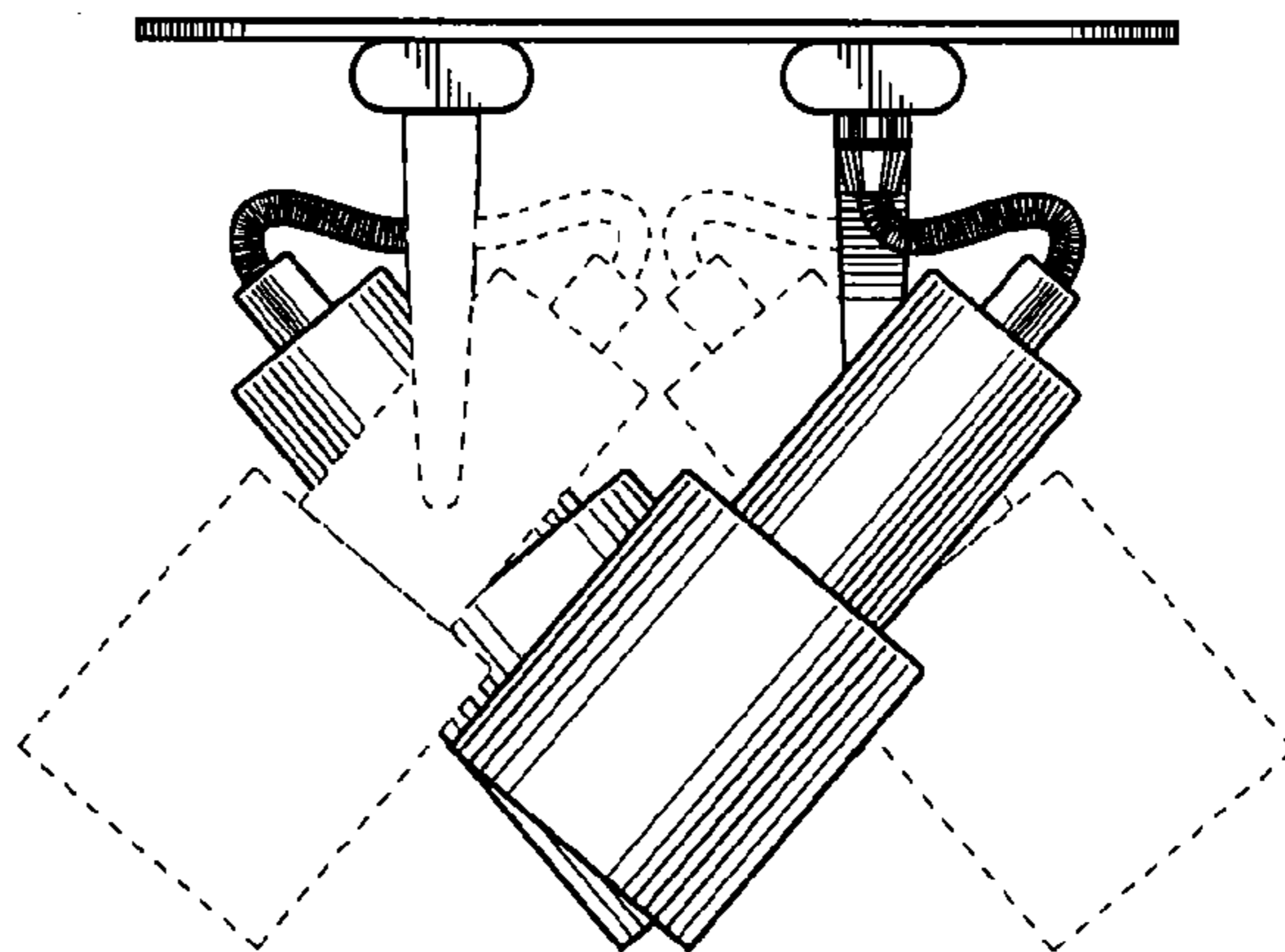




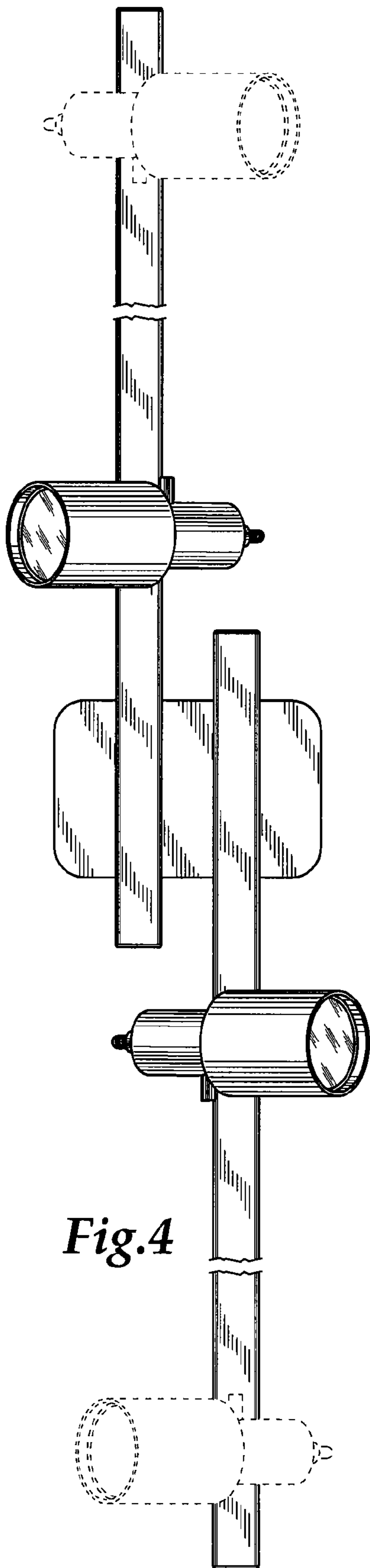
*Fig.1*



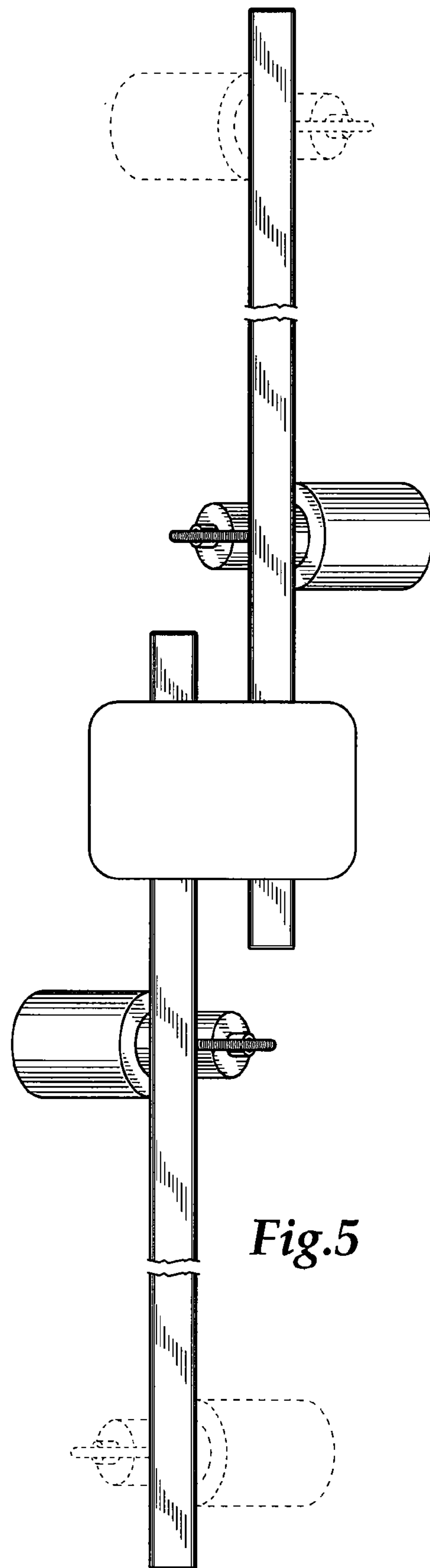
*Fig.2*



*Fig.3*



*Fig.4*



*Fig.5*

