



US00D589636S

(12) **United States Design Patent**  
**Pinette**

(10) **Patent No.:** **US D589,636 S**  
(45) **Date of Patent:** **\*\* Mar. 31, 2009**

(54) **LUMINAIRE**

(75) **Inventor:** **Thomas Christopher Pinette**, Mynard,  
MA (US)

(73) **Assignee:** **Koninklijke Philips Electronics N.V.**,  
Eindhoven (NL)

(\*\*) **Term:** **14 Years**

(21) **Appl. No.:** **29/324,885**

(22) **Filed:** **Sep. 23, 2008**

(51) **LOC (9) Cl.** ..... **26-05**

(52) **U.S. Cl.** ..... **D26/63**

(58) **Field of Classification Search** ..... D26/61-67,  
D26/83, 86, 87, 89, 128; 362/147, 237, 238,  
362/250, 282, 283, 285, 287, 288, 371, 426,  
362/648

See application file for complete search history.

(56) **References Cited**

**U.S. PATENT DOCUMENTS**

D41,562 S \* 7/1911 Godley ..... D26/36  
1,537,219 A \* 5/1925 Berg ..... 362/282

D75,011 S \* 5/1928 Gehersky ..... D26/65  
D234,218 S \* 1/1975 Donato ..... D26/65  
D235,227 S \* 5/1975 Cleary ..... D26/63  
D349,777 S \* 8/1994 Kelly et al. .... D26/63  
D446,592 S \* 8/2001 Leen ..... D26/63  
D493,243 S \* 7/2004 Burnet ..... D26/63  
2008/0080190 A1 \* 4/2008 Walczak et al. .... 362/250

\* cited by examiner

*Primary Examiner*—Clare E Heflin

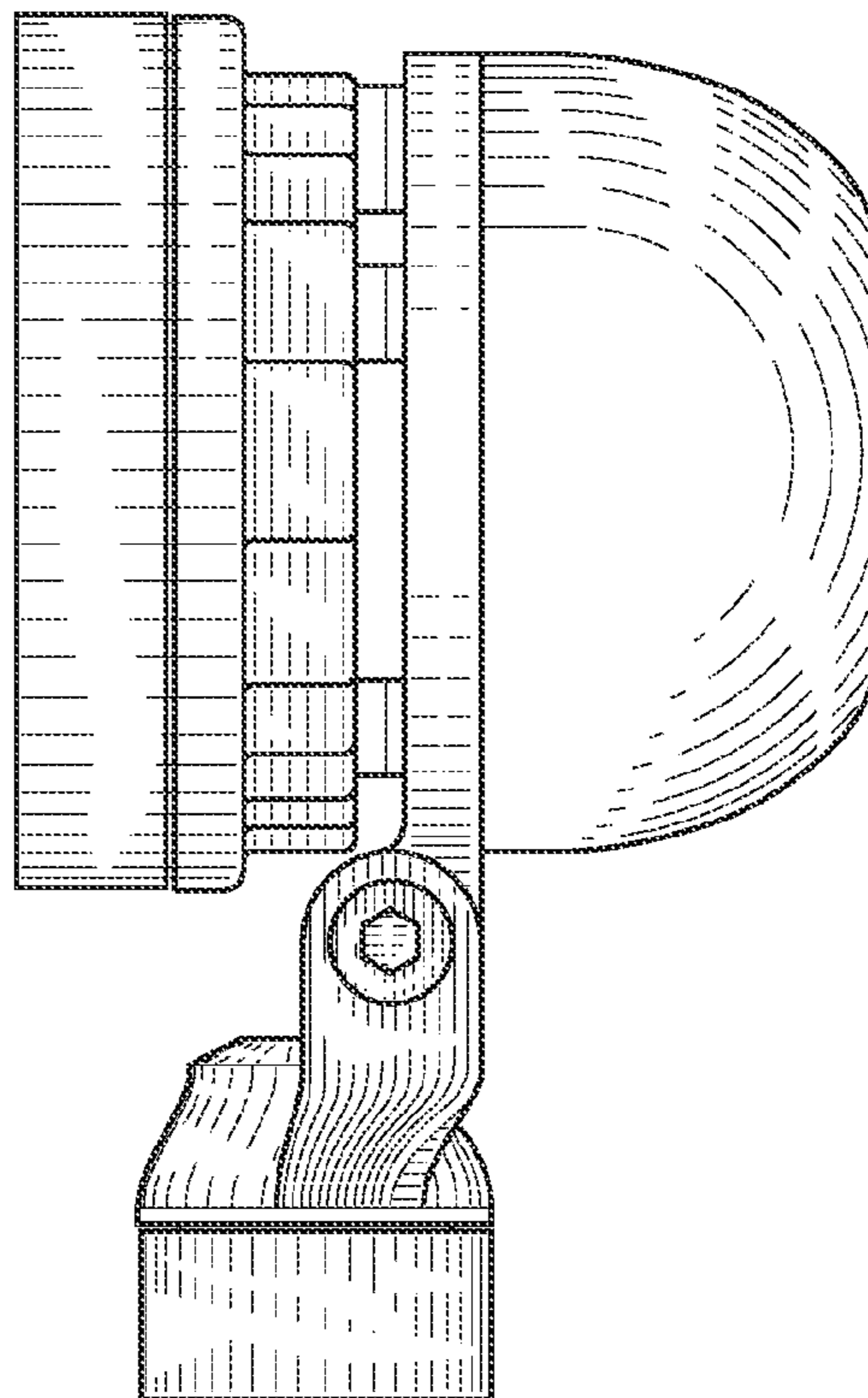
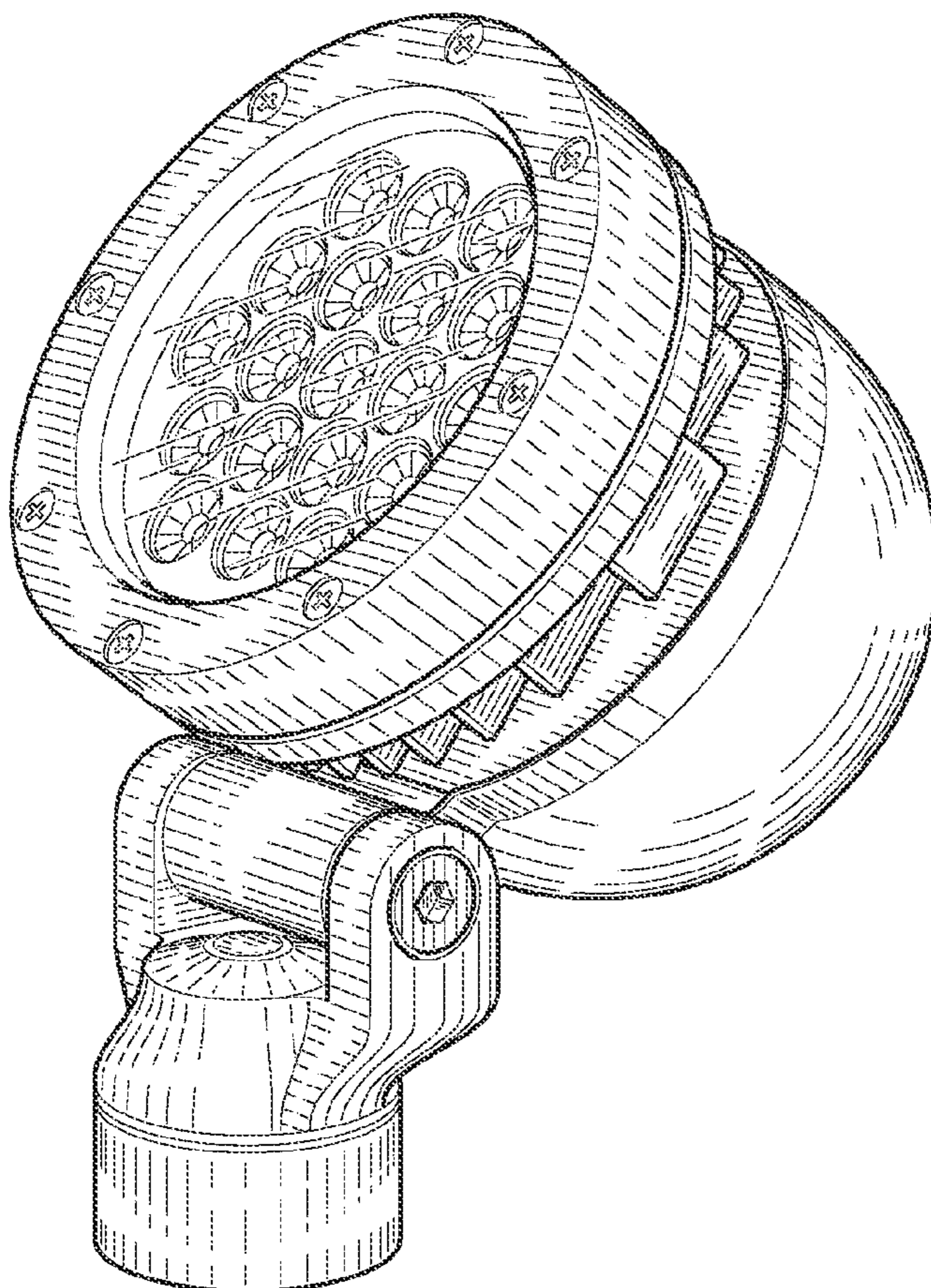
(57) **CLAIM**

The ornamental design for a luminaire, as shown.

**DESCRIPTION**

FIG. 1 is a perspective view showing my design;  
FIG. 2 is a front elevational view thereof;  
FIG. 3 is a rear elevational view thereof;  
FIG. 4 is a right side elevational view thereof;  
FIG. 5 is a left side elevational view thereof;  
FIG. 6 is a top plan view thereof; and,  
FIG. 7 is a bottom plan view thereof.

**1 Claim, 4 Drawing Sheets**



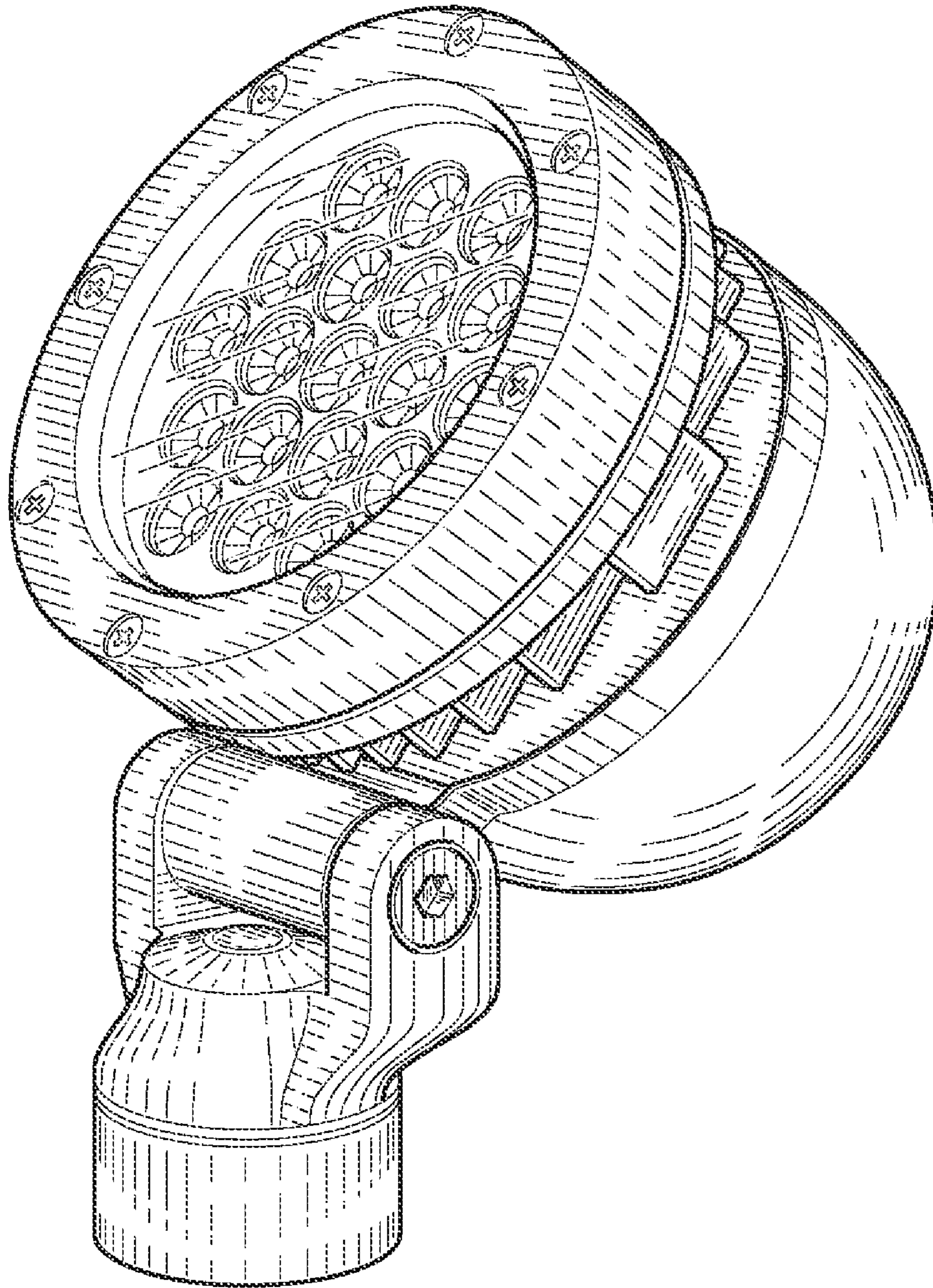


FIG. 1

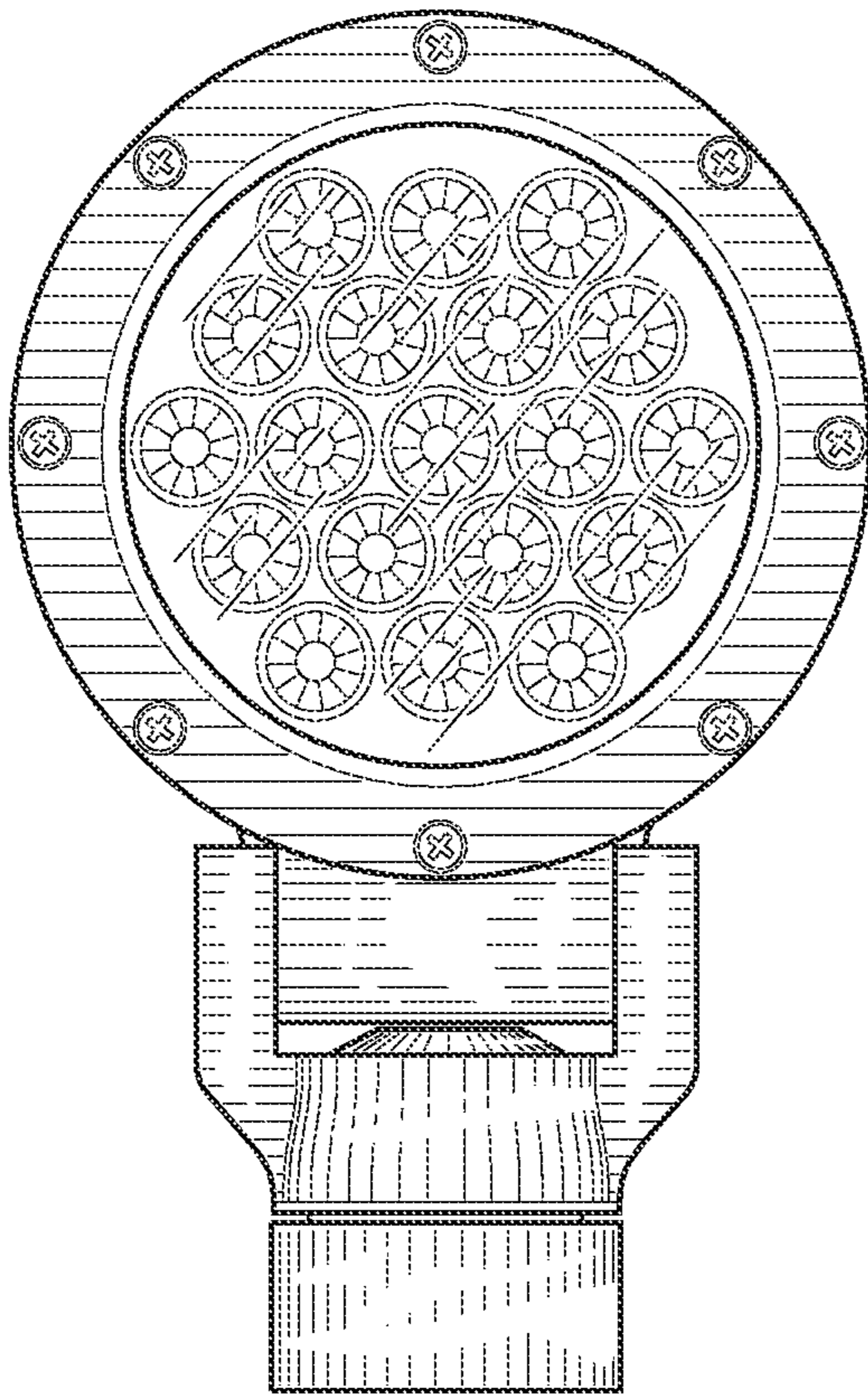


FIG. 2

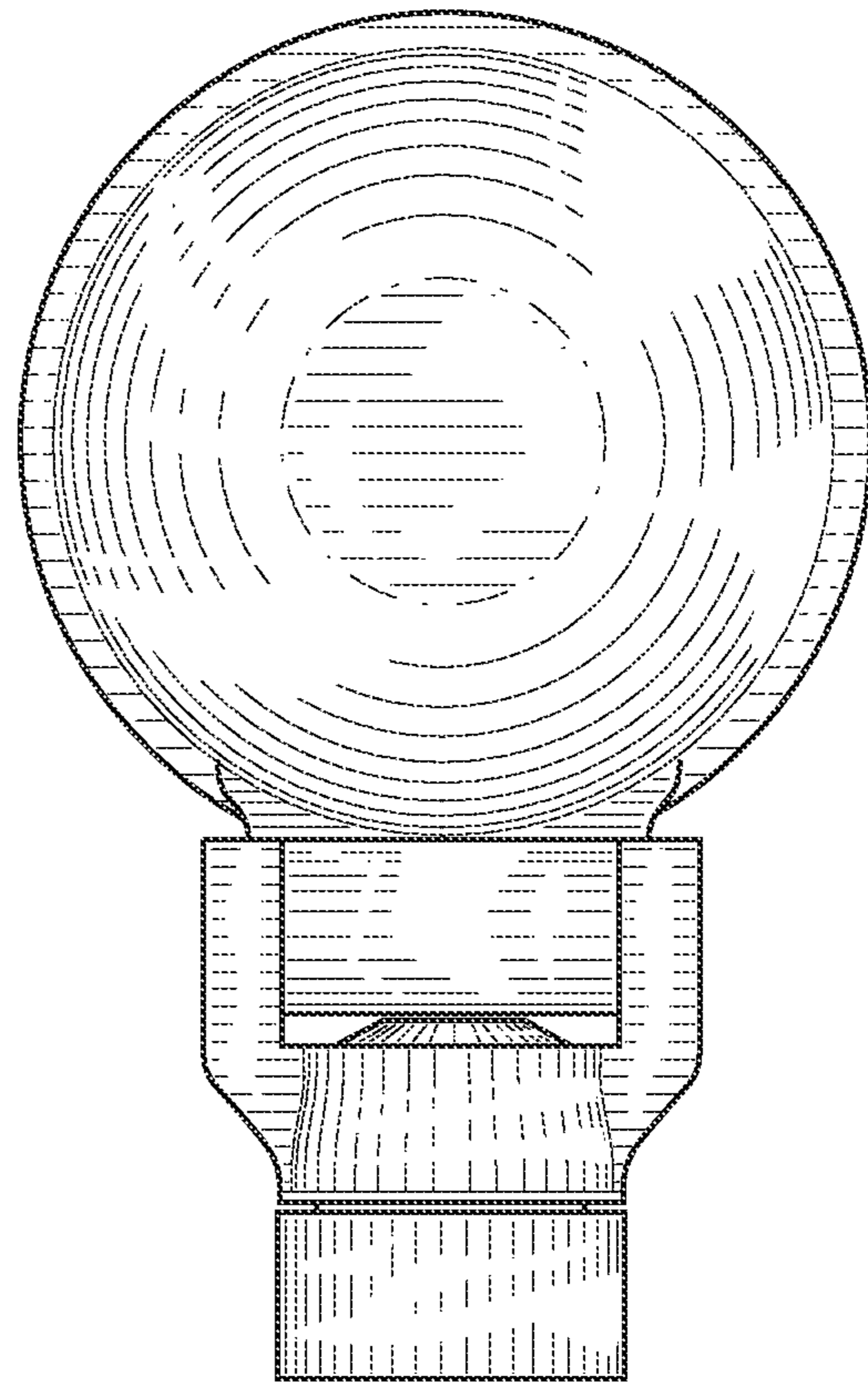


FIG. 3

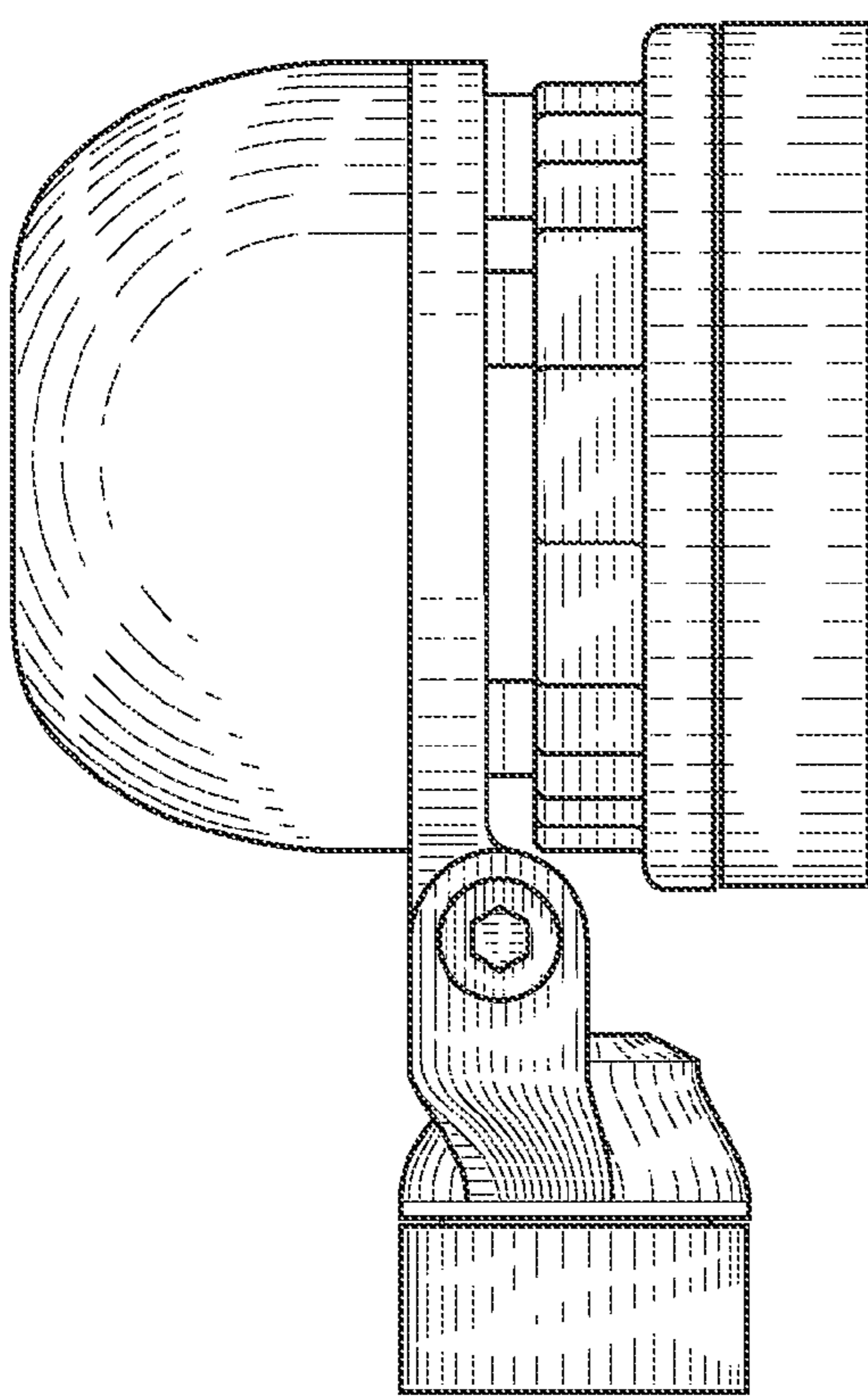


FIG. 4

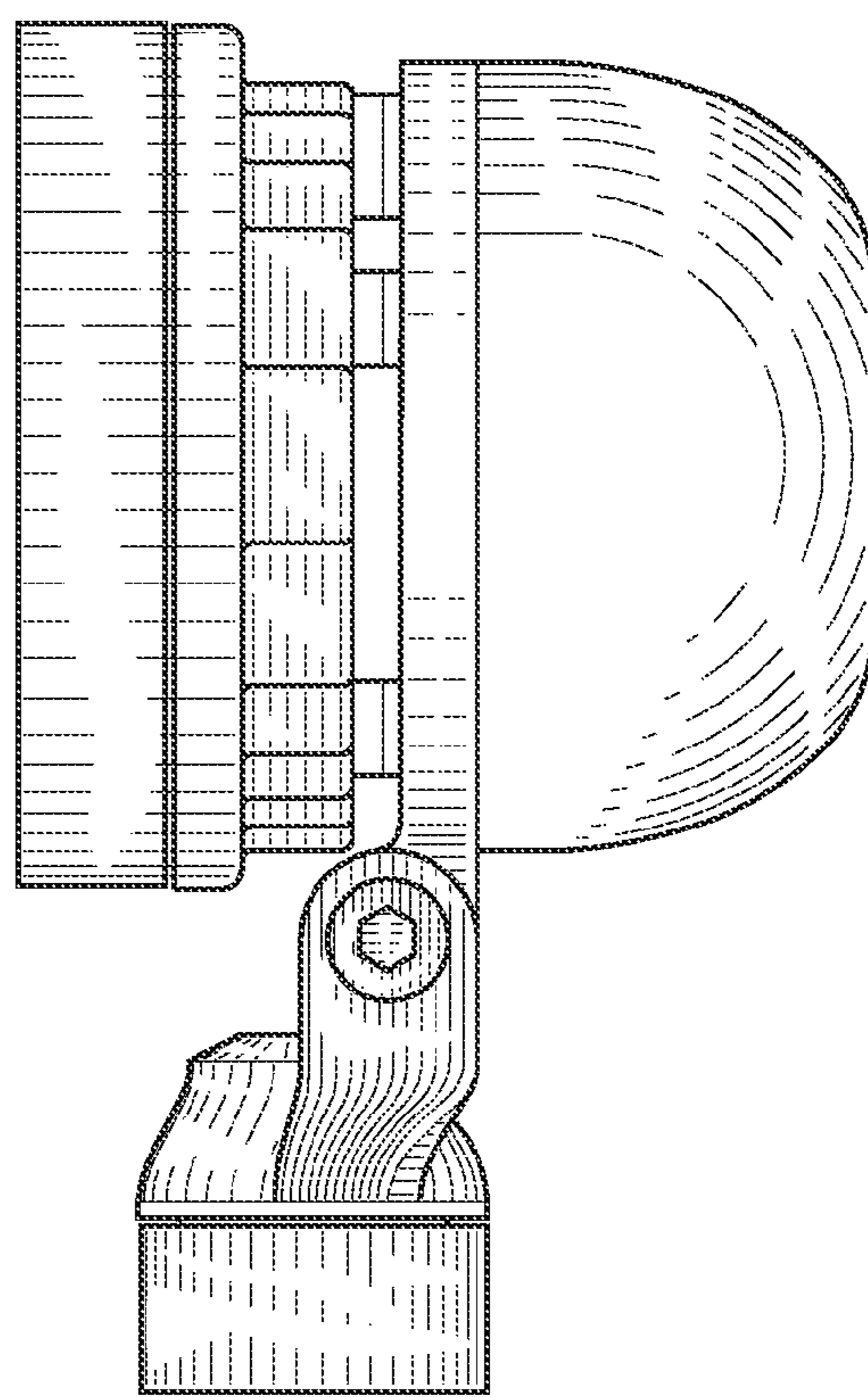


FIG. 5

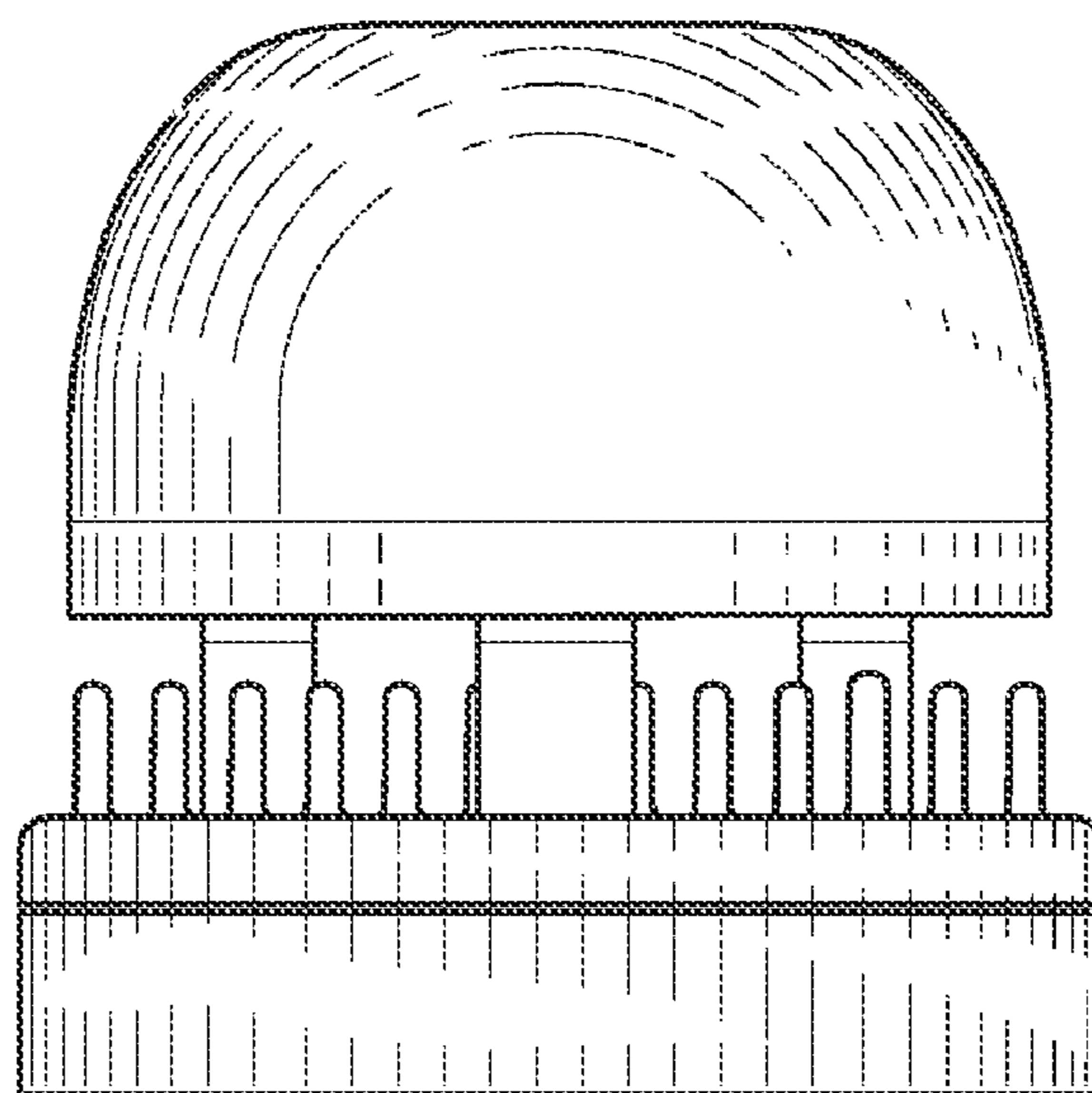


FIG. 6

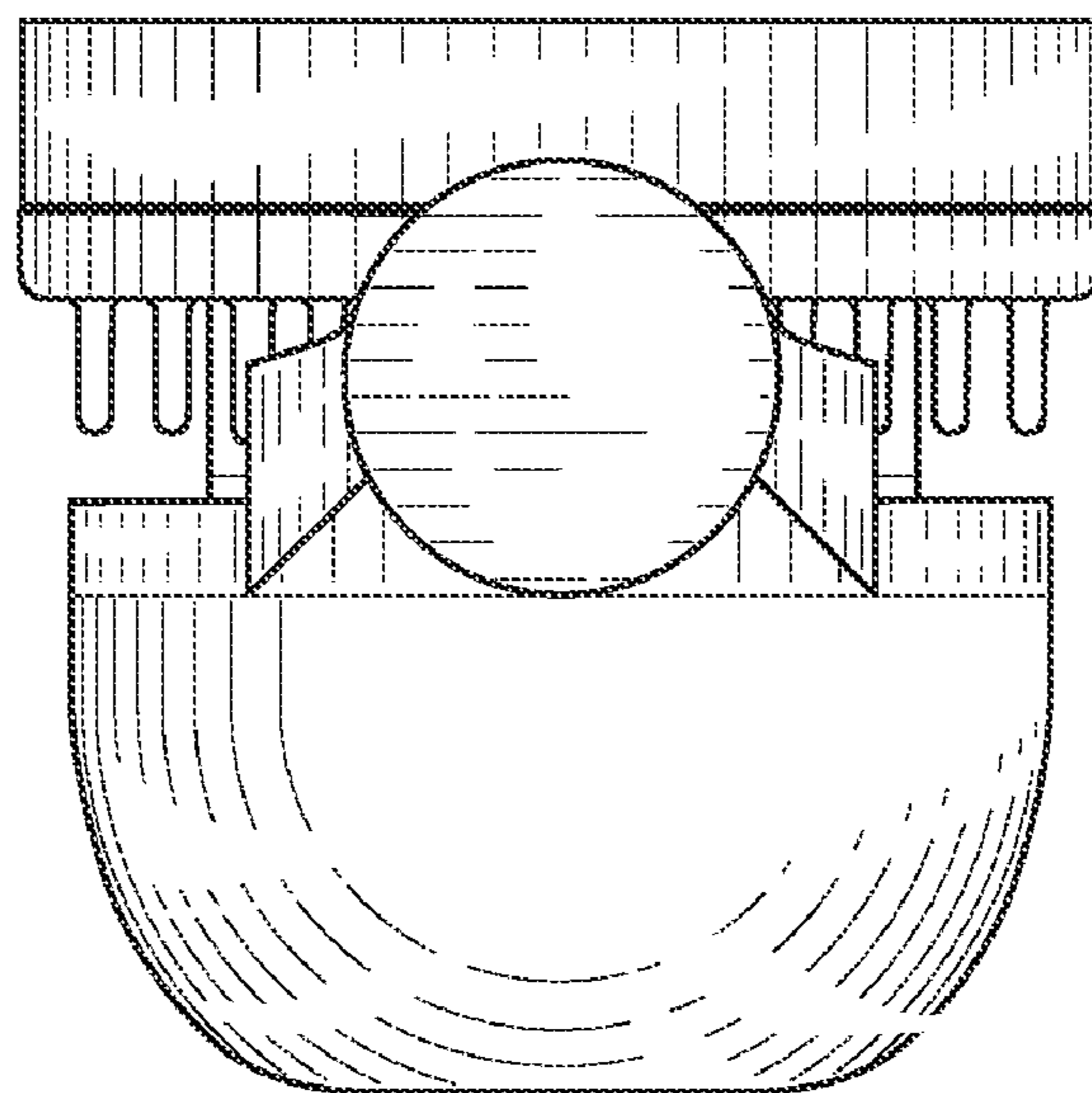


FIG. 7