



US00D589635S

(12) **United States Design Patent**
Rugendyke et al.

(10) **Patent No.:** **US D589,635 S**

(45) **Date of Patent:** **** Mar. 31, 2009**

(54) **FLASHLIGHT**

(75) Inventors: **Timothy Rugendyke**, Woy Woy (AU);
Peter McMillan, Wollstonecraft (AU)

(73) Assignee: **Eveready Battery Co., Inc.**, St. Louis,
MO (US)

(**) Term: **14 Years**

(21) Appl. No.: **29/291,473**

(22) Filed: **Aug. 30, 2007**

Related U.S. Application Data

(63) Continuation-in-part of application No. 29/268,133,
filed on Oct. 31, 2006, now Pat. No. Des. 554,786.

(51) **LOC (9) Cl.** **26-02**

(52) **U.S. Cl.** **D26/49**

(58) **Field of Classification Search** D26/37,
D26/46, 48, 49, 50; 362/157, 158, 183, 184,
362/190, 194, 195, 196, 197, 202, 203–208
See application file for complete search history.

(56) **References Cited**

U.S. PATENT DOCUMENTS

D197,082 S *	12/1963	Oakley et al.	D26/49
D286,681 S *	11/1986	Hung	D26/49
D363,564 S *	10/1995	Kish et al.	D26/49
D421,145 S *	2/2000	Man	D26/49
D422,733 S *	4/2000	Kung	D26/49
D424,226 S *	5/2000	Petterson	D26/49

D433,171 S *	10/2000	Petterson et al.	D26/49
D463,877 S *	10/2002	Kung	D26/38
D472,006 S *	3/2003	Fritz	D26/49
D488,876 S *	4/2004	Kotani	D26/49
D554,786 S *	11/2007	Rugendyke et al.	D26/49
D555,267 S *	11/2007	Lin	D26/49
D557,845 S *	12/2007	Yang	D26/49
D574,529 S *	8/2008	Squires et al.	D26/49

* cited by examiner

Primary Examiner—Ian Simmons

Assistant Examiner—Carissa C Fitts

(74) *Attorney, Agent, or Firm*—Gregory J. Adams

(57) **CLAIM**

We claim the ornamental design for a flashlight, as shown and described.

DESCRIPTION

FIG. 1 is a perspective view of the flashlight of the design.

FIG. 2 is a top view thereof;

FIG. 3 is a bottom view thereof;

FIG. 4 is a left side view thereof;

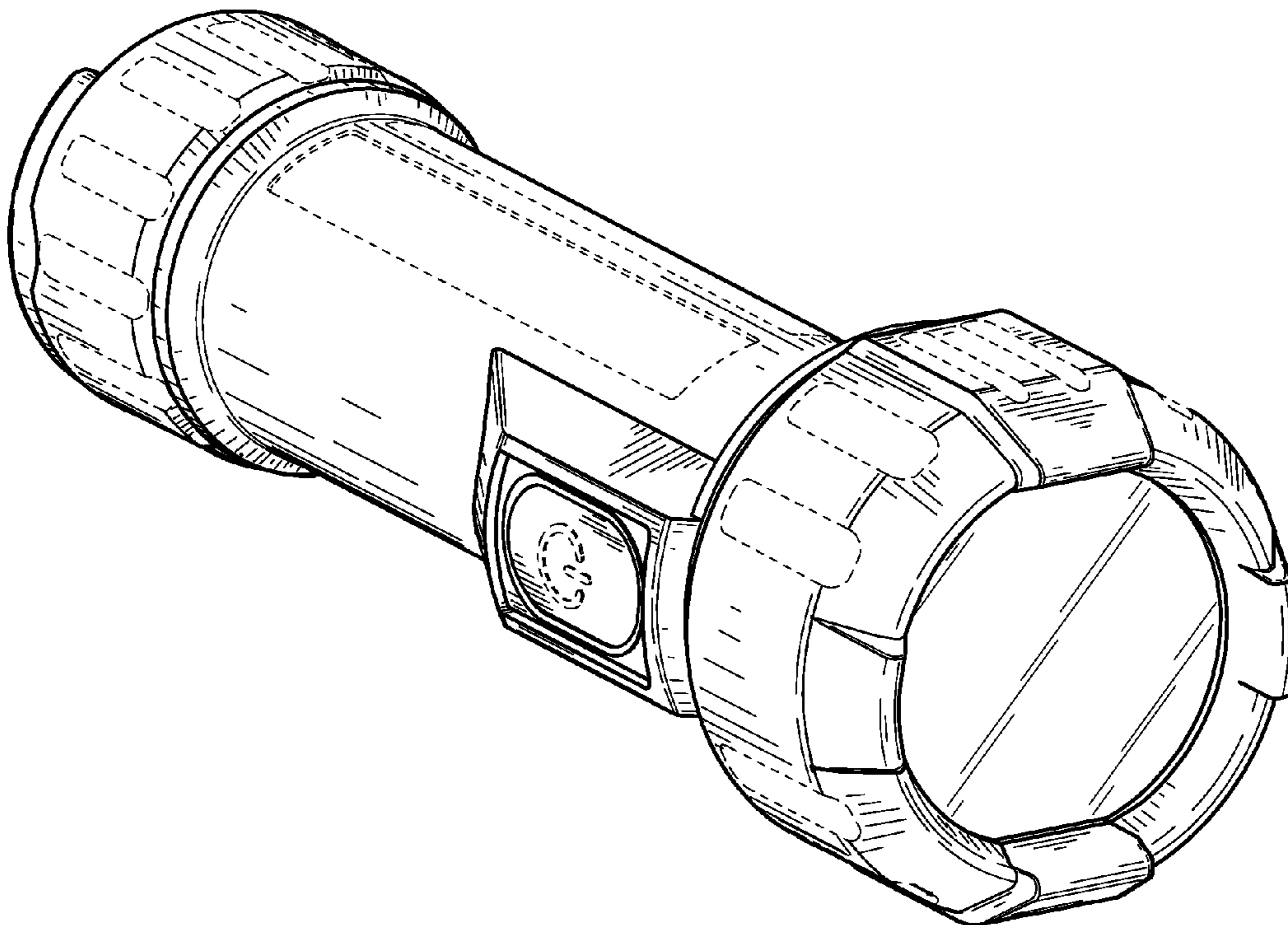
FIG. 5 is a front view thereof;

FIG. 6 is a rear view thereof; and,

FIG. 7 is a top view thereof with the lanyard clip shown in an alternate position.

Any broken line(s) shown are for illustrative purposes only and form no part of the claimed design.

1 Claim, 6 Drawing Sheets



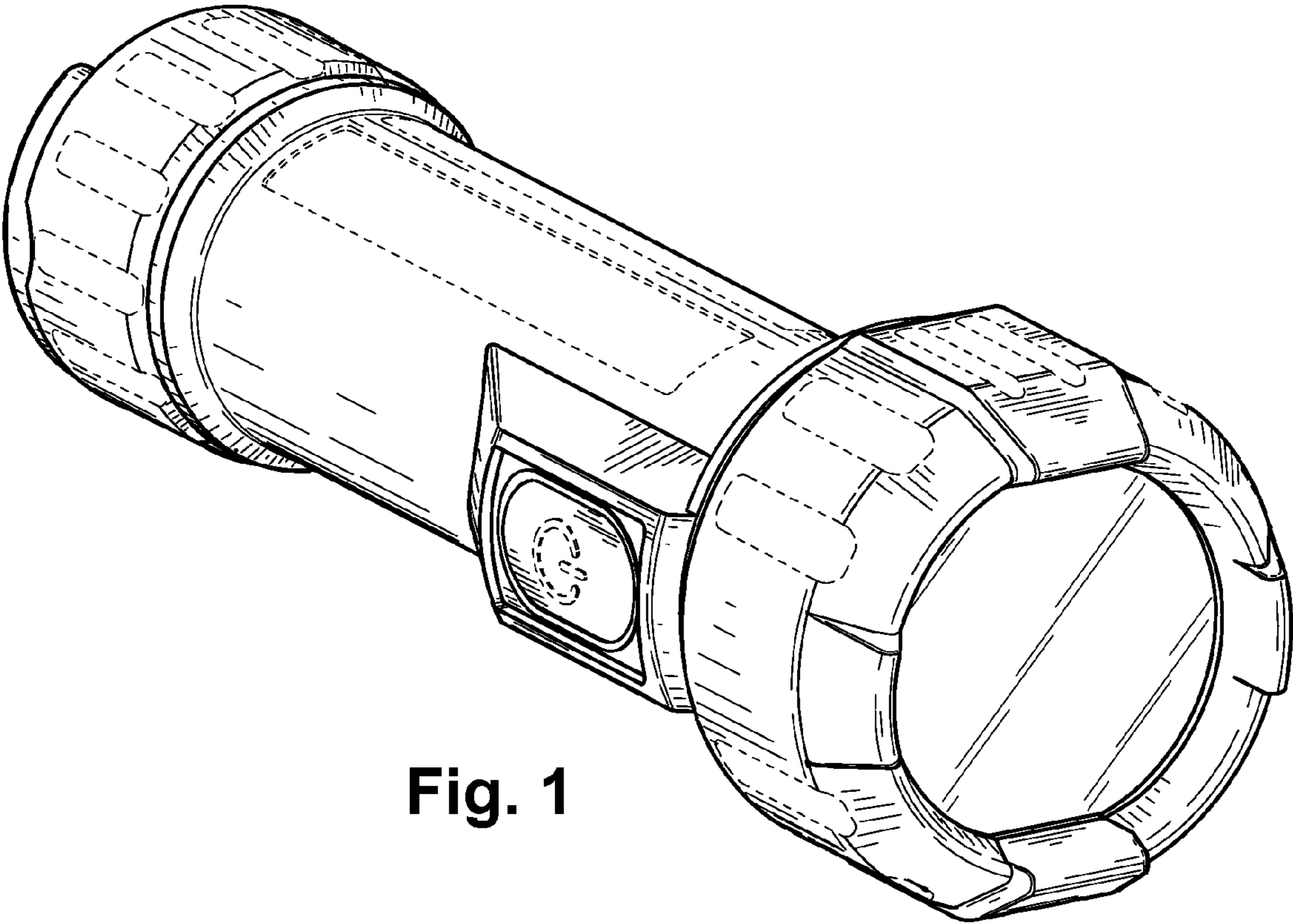


Fig. 1

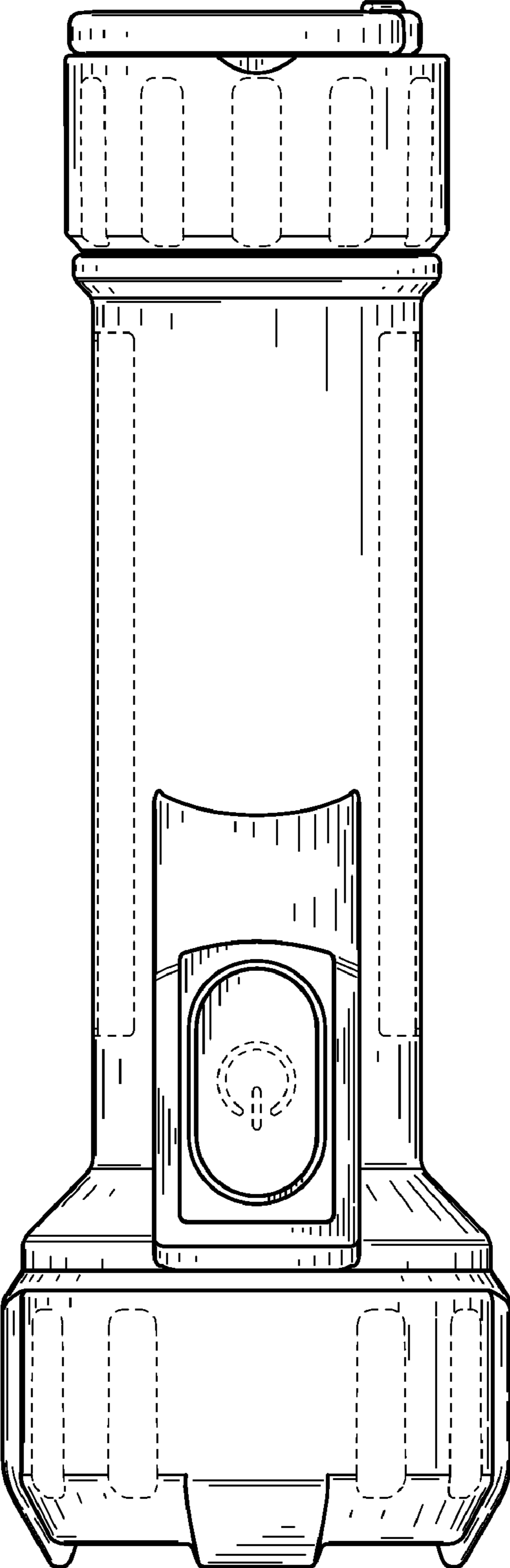


Fig. 2

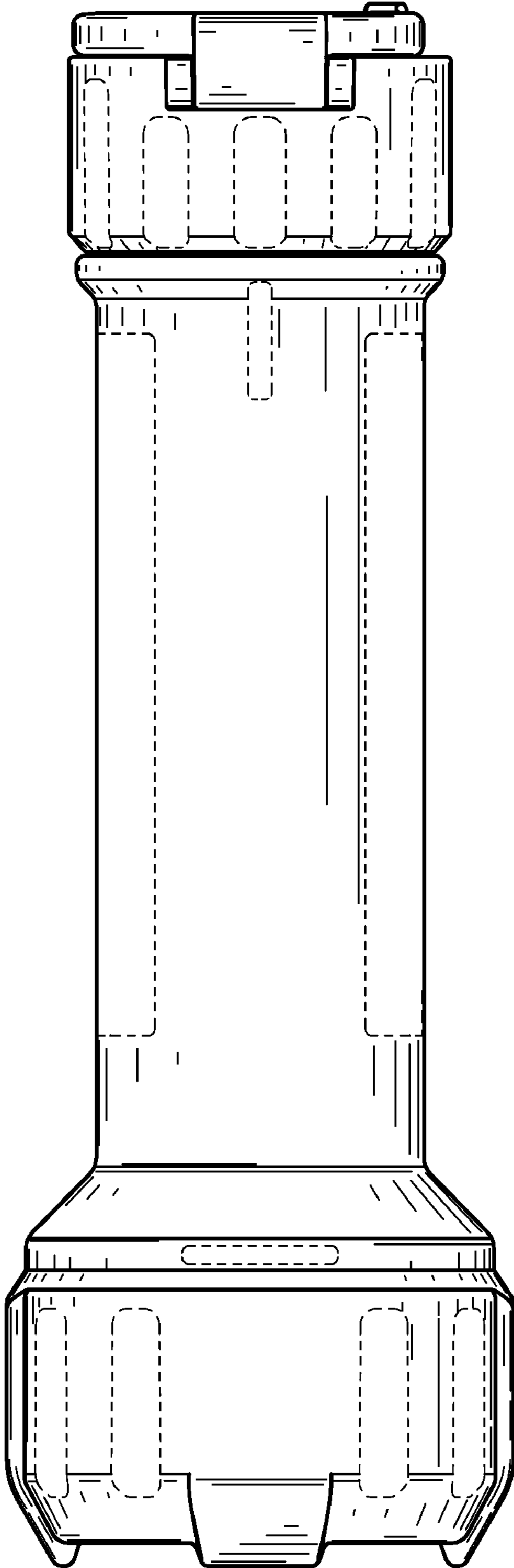


Fig. 3

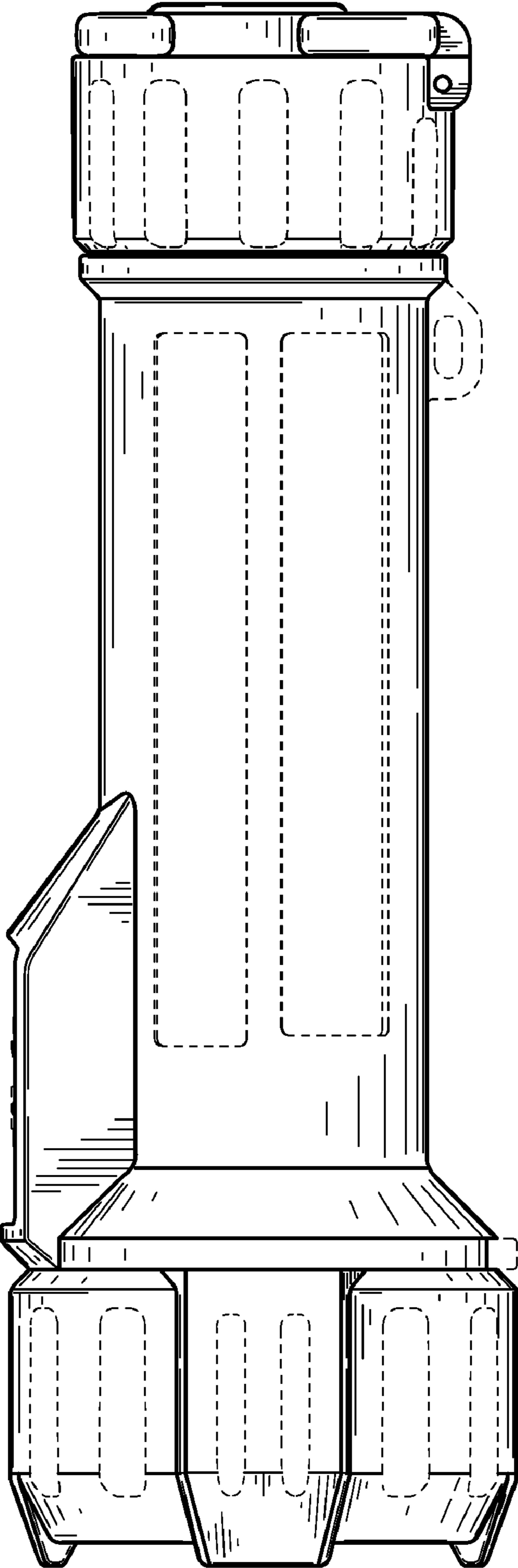


Fig. 4

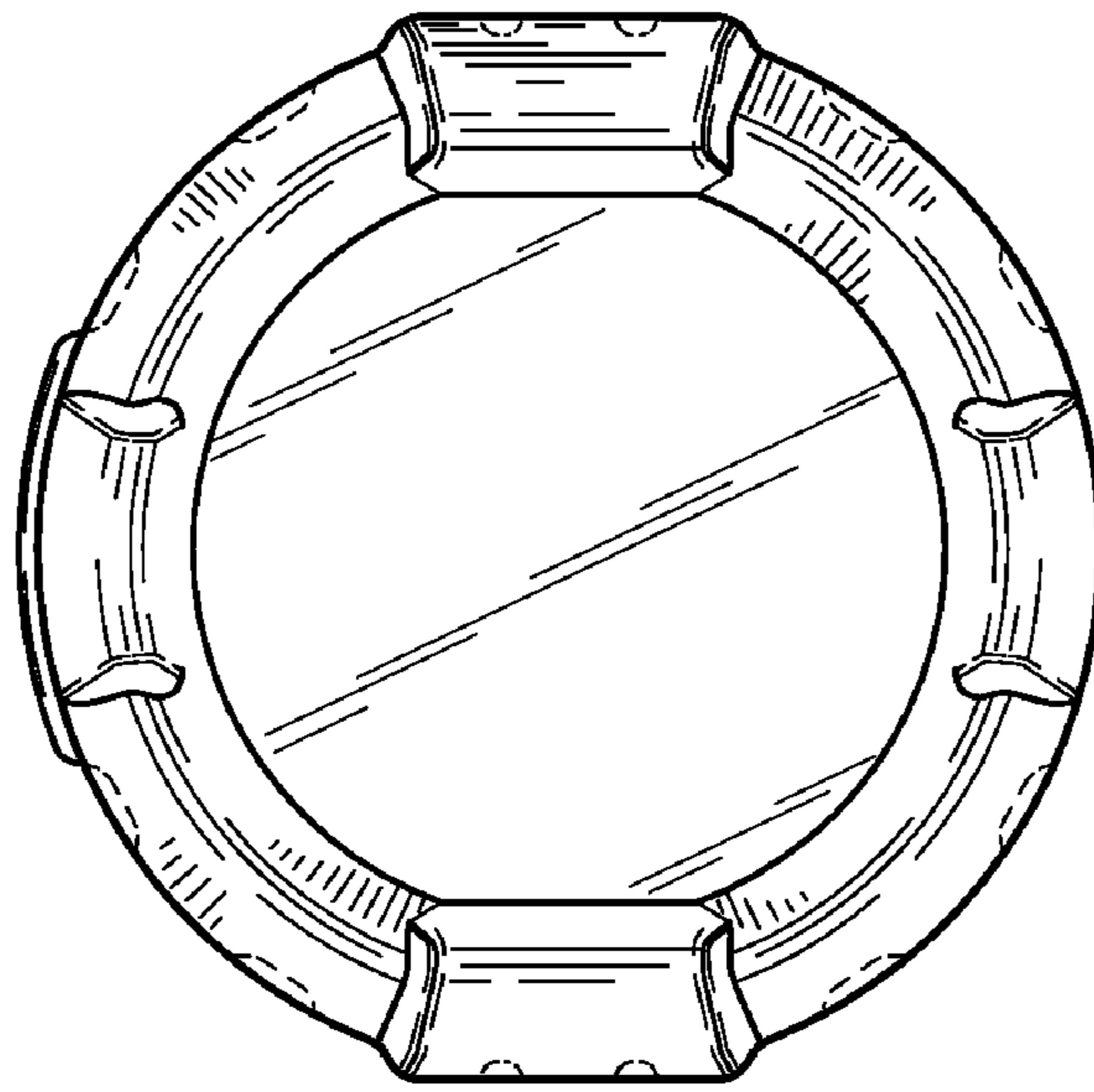


Fig. 5

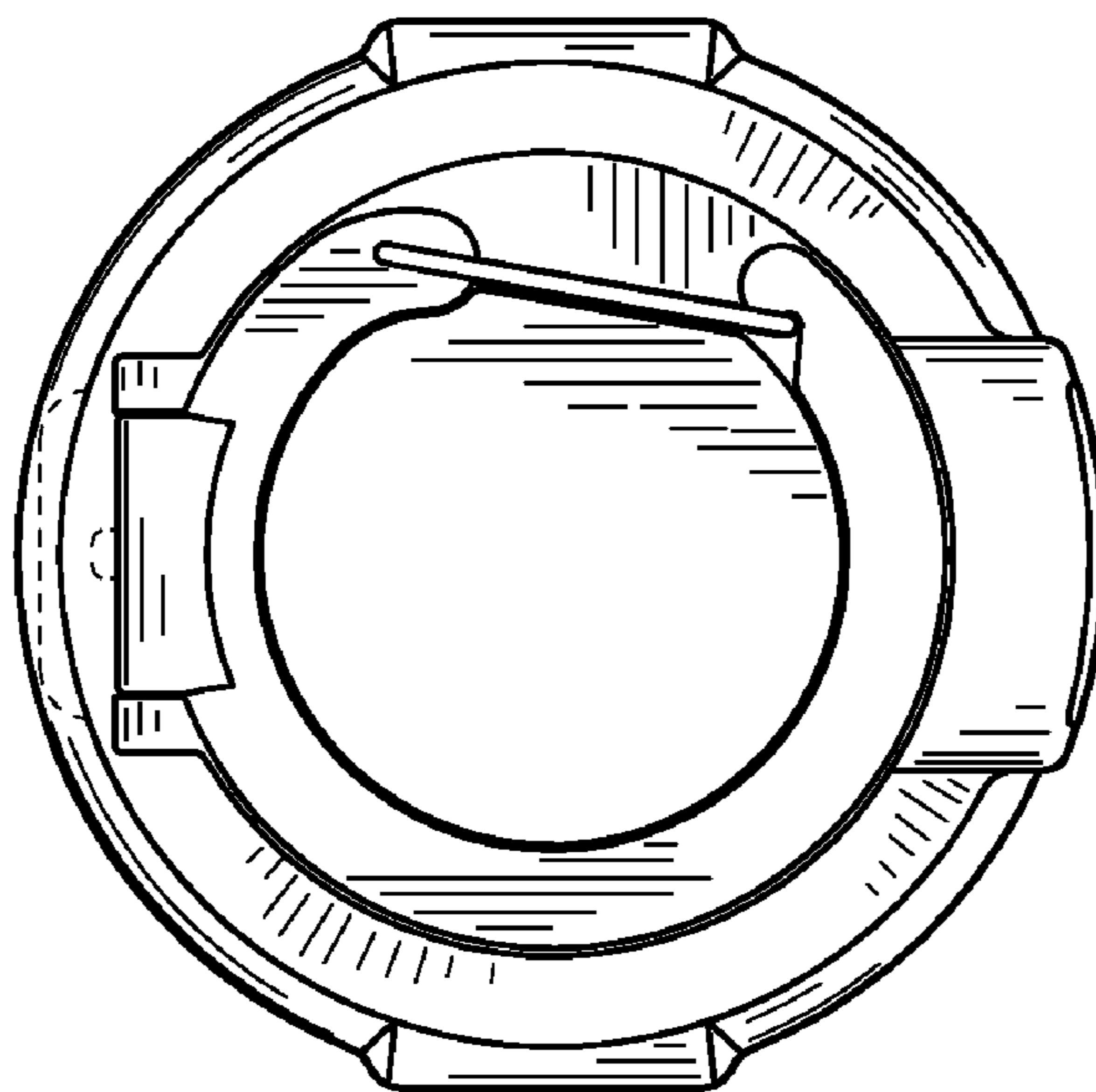


Fig. 6

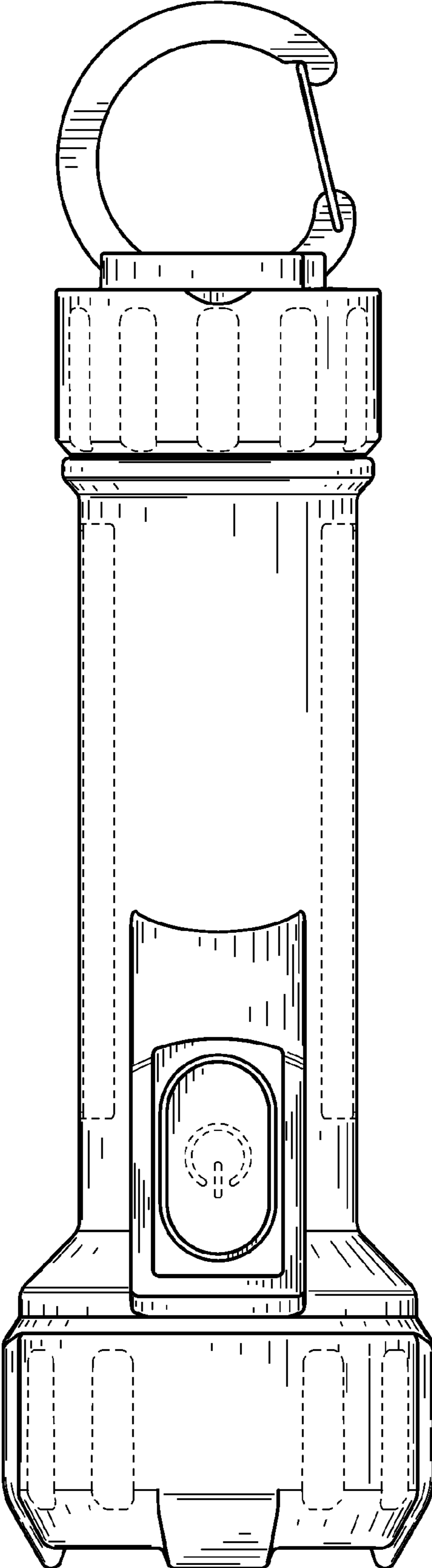


Fig. 7