



US00D589629S

(12) **United States Design Patent**
French

(10) **Patent No.:** **US D589,629 S**
(45) **Date of Patent:** **** Mar. 31, 2009**

(54) **POOL HAND RAIL**

DESCRIPTION

(76) Inventor: **Nicholas A. French**, 3031 Lakeshore Dr., Douglas, MI (US) 49406

(**) Term: **14 Years**

(21) Appl. No.: **29/292,660**

(22) Filed: **Oct. 22, 2007**

(51) **LOC (9) Cl.** **25-02**

(52) **U.S. Cl.** **D25/41**

(58) **Field of Classification Search** D25/41;
256/1; 4/504, 506, 511

See application file for complete search history.

(56) **References Cited**

U.S. PATENT DOCUMENTS

4,077,173	A *	3/1978	Rozanski	52/169.8
4,512,042	A *	4/1985	Striegel et al.	4/496
5,333,323	A *	8/1994	Aymes	4/496
D409,311	S *	5/1999	Victor et al.	D25/41

* cited by examiner

Primary Examiner—Doris Clark

(74) *Attorney, Agent, or Firm*—King & Partners, PLC

(57) **CLAIM**

The ornamental design for a pool hand rail, as shown and described.

FIG. 1 is a right side elevation view of a pool hand rail, showing, in particular, the ornamental design thereof. It will be understood that a left side elevation view will be a mirror image of the right side elevation view;

FIG. 2 is a front elevation view of the pool hand rail of FIGS. 1, 6, and 8;

FIG. 3 is a rear elevation view of the pool hand rail of FIGS. 1, 6, and 8;

FIG. 4 is a top plan view of the pool hand rail of FIGS. 1, 6, and 8;

FIG. 5 is a bottom plan view of the pool hand rail of FIG. 1;

FIG. 6 is a right side elevation view of a second embodiment of the pool hand rail, showing, in particular, the ornamental design thereof. It will be understood that a left side elevation view will be a mirror image of the right side elevation view;

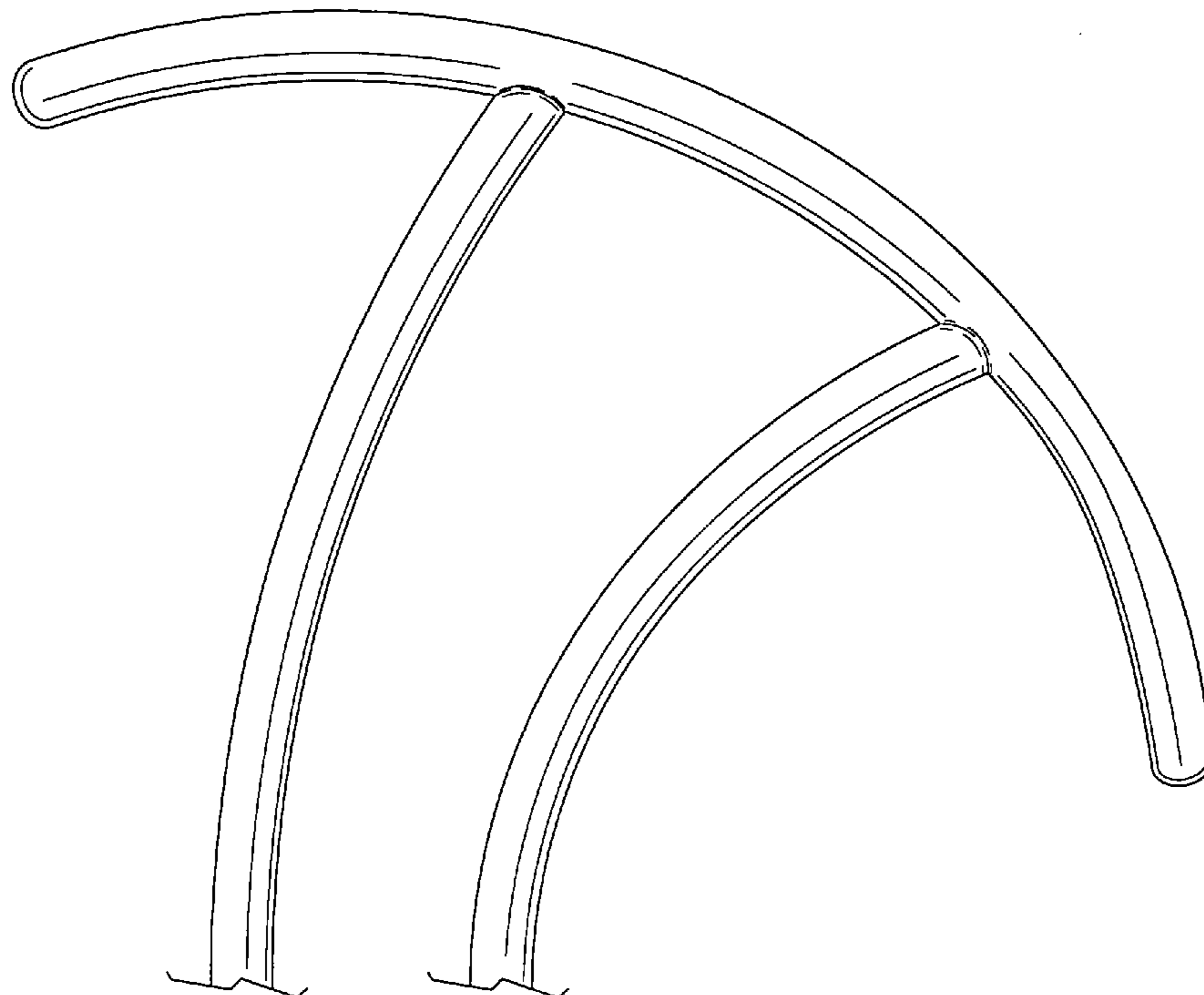
FIG. 7 is a bottom plan view of the pool hand rail of FIG. 6;

FIG. 8 is a right side elevation view of a third embodiment of the pool hand rail, showing, in particular, the ornamental design thereof. It will be understood that a left side elevation view will be a mirror image of the right side elevation view; and,

FIG. 9 is a bottom plan view of the pool hand rail of FIG. 8.

The stiles of the pool hand rail have been broken near the ends to indicate indeterminate length.

1 Claim, 7 Drawing Sheets



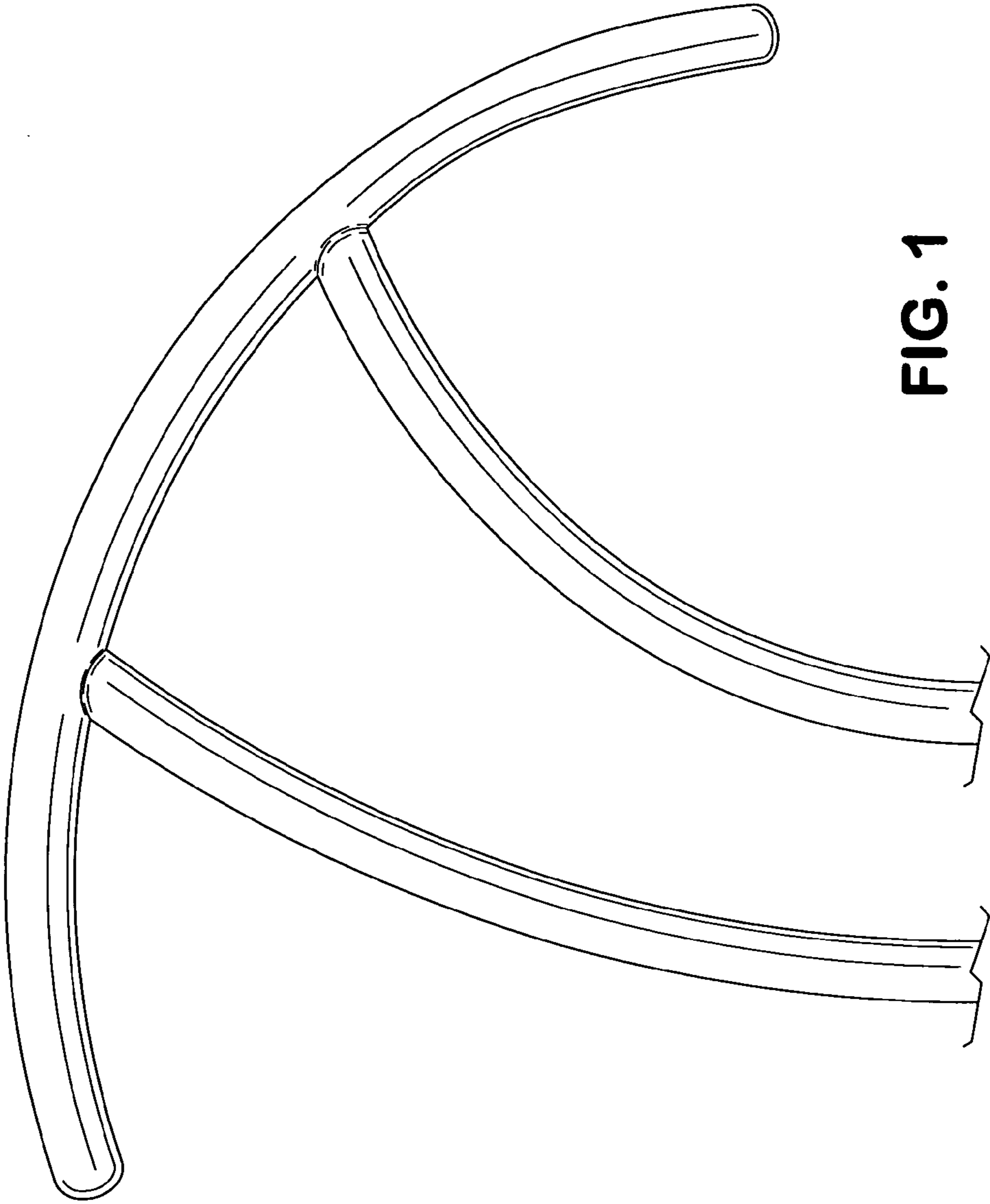


FIG. 1

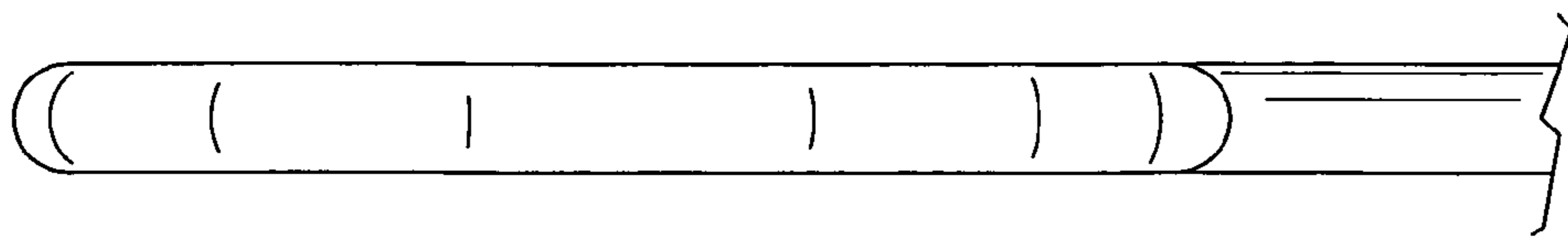


FIG. 3

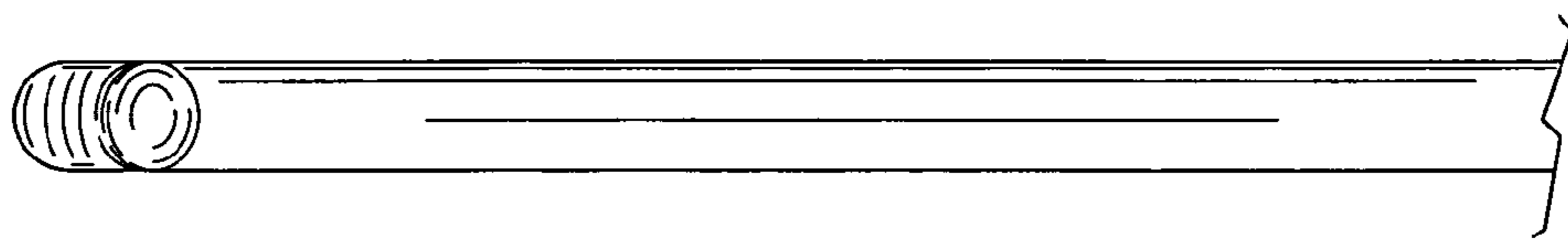


FIG. 2

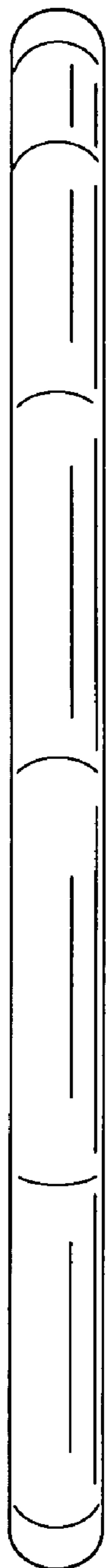


FIG. 4

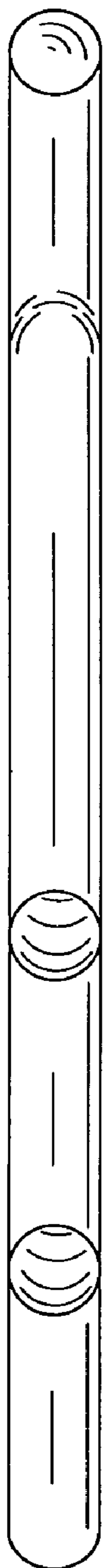


FIG. 5

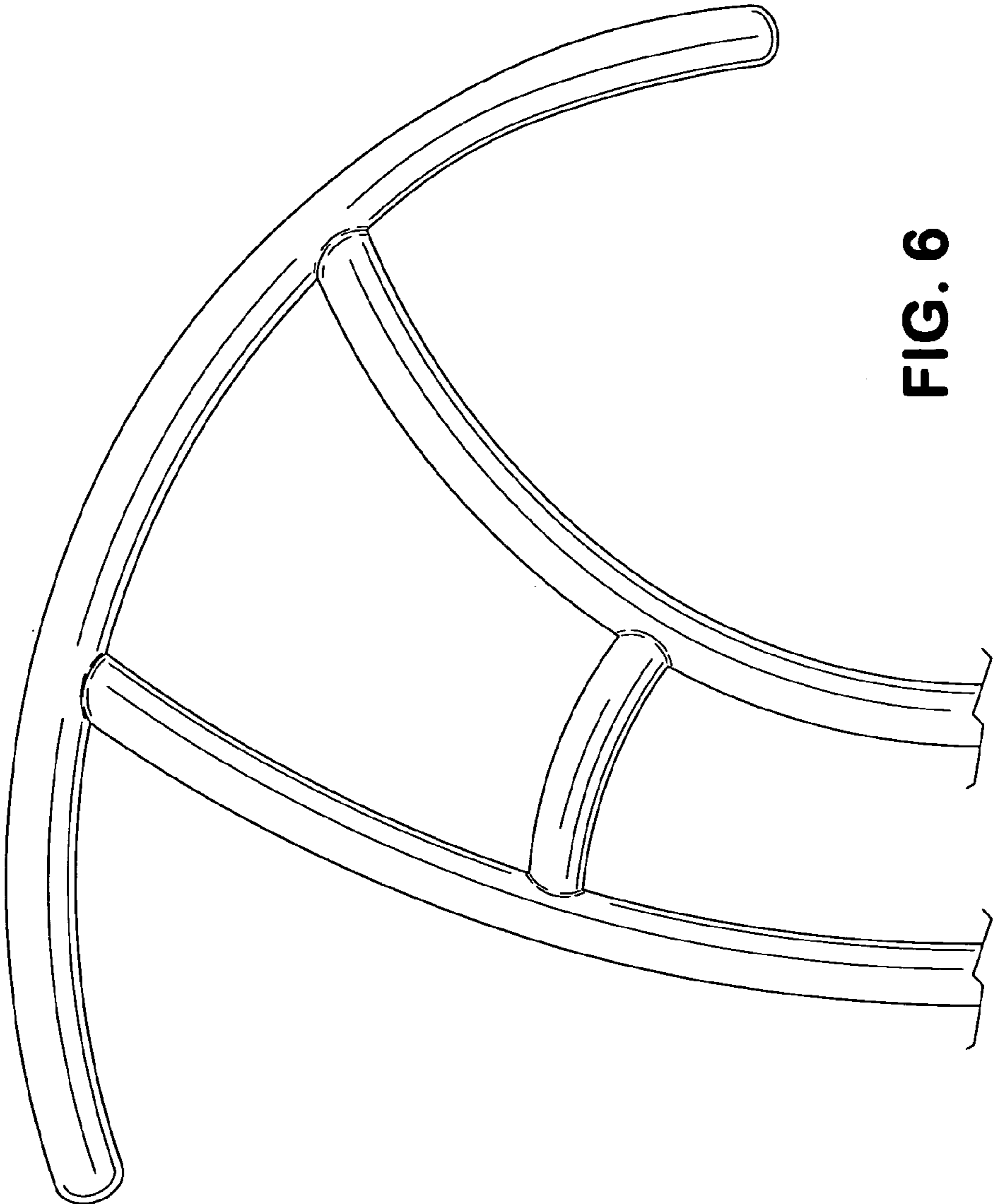


FIG. 6

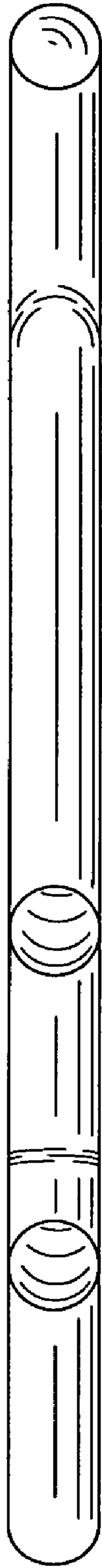


FIG. 7

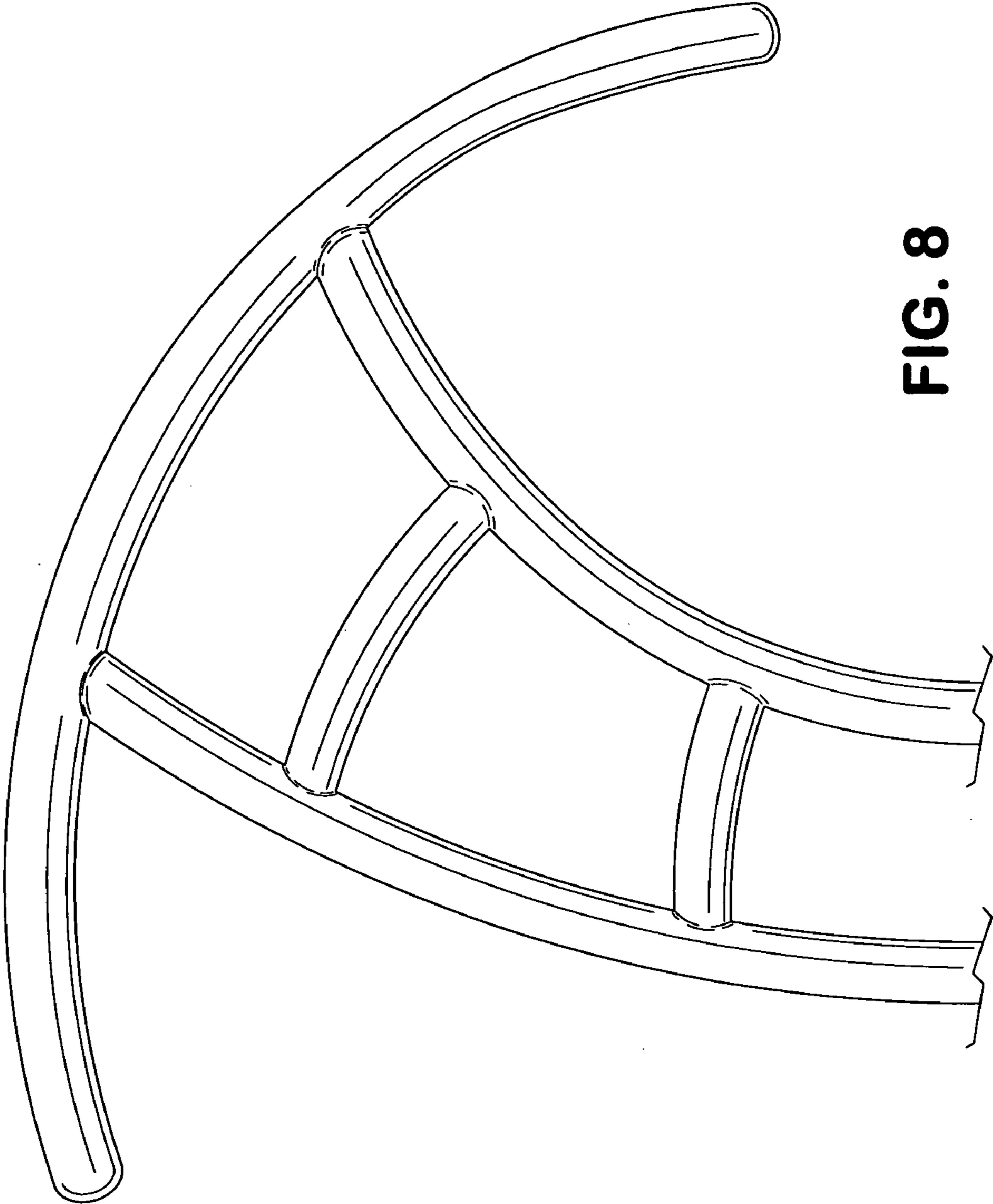


FIG. 8

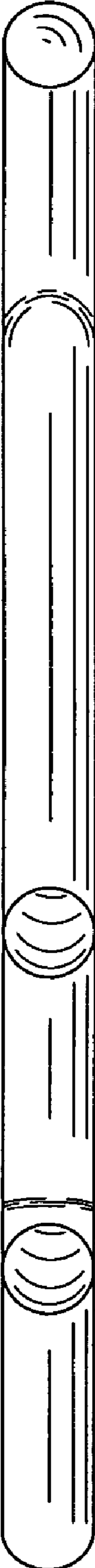


FIG. 9