



US00D589628S

(12) **United States Design Patent**
Dong

(10) **Patent No.:** **US D589,628 S**
(45) **Date of Patent:** **** Mar. 31, 2009**

- (54) **FENCE**
- (75) Inventor: **Jane Dong**, Hackensack, NJ (US)
- (73) Assignee: **XM International, Inc.**, Hackensack, NJ (US)
- (**) Term: **14 Years**
- (21) Appl. No.: **29/292,943**
- (22) Filed: **Nov. 2, 2007**

- D274,006 S * 5/1984 Djurina D25/38
- D347,186 S * 5/1994 Caval et al. D25/38
- D404,501 S * 1/1999 Smith D25/42
- D423,683 S * 4/2000 Dashevsky D25/39
- D425,206 S * 5/2000 Dashevsky D25/39
- D554,767 S 11/2007 Dong
- D554,768 S 11/2007 Dong

* cited by examiner

Primary Examiner—Doris Clark
(74) *Attorney, Agent, or Firm*—Brandon N. Sklar, Esq.; Kaye Scholer LLP

Related U.S. Application Data

- (62) Division of application No. 29/245,884, filed on Dec. 30, 2005, now Pat. No. Des. 554,767.

- (51) **LOC (9) Cl.** **25-02**
- (52) **U.S. Cl.** **D25/38**
- (58) **Field of Classification Search** D25/45, D25/50, 38, 39; 256/1, 24, 73, 19, 22, 32, 256/33, 34, 35, 37
See application file for complete search history.

(56) **References Cited**

U.S. PATENT DOCUMENTS

- D39,977 S * 5/1909 Peter D25/50
- D166,382 S * 4/1952 Falatico D25/50
- 2,622,848 A * 12/1952 Campbell 256/21

(57) **CLAIM**

I claim The ornamental design for a fence, as shown and described.

DESCRIPTION

FIG. 1 is a top plan view of a fence, showing my design;
FIG. 2 is a front elevational view thereof;
FIG. 3 is a left side view thereof;
FIG. 4 is a right side view thereof; and,
FIG. 5 is a bottom plan view thereof.
The rear elevational view of the fence is a mirror image of the view of FIG. 2.

1 Claim, 1 Drawing Sheet

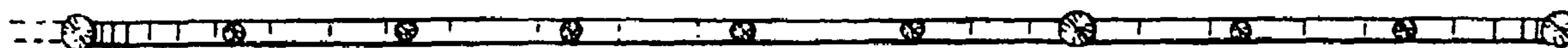


FIG. 1



FIG. 4



FIG. 2

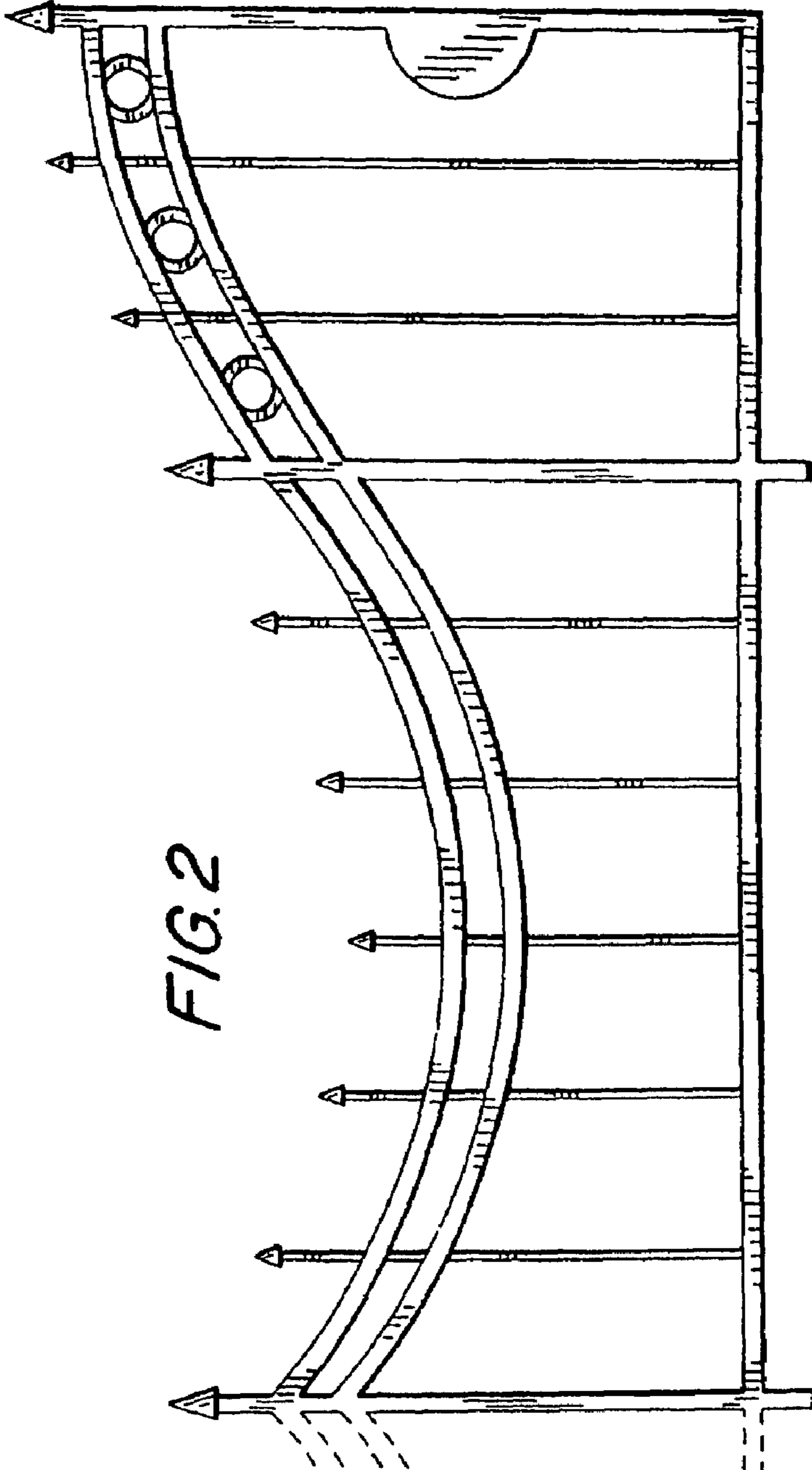


FIG. 3



FIG. 5

