



US00D589626S

(12) **United States Design Patent**  
**Petersen**

(10) **Patent No.:** **US D589,626 S**  
(45) **Date of Patent:** **\*\* Mar. 31, 2009**

(54) **BONE PLUG HOLDER**

(75) Inventor: **David A Petersen**, Clearwater, FL (US)

(73) Assignee: **Orthopedic Development Corporation**,  
Clearwater, FL (US)

(\*\*) Term: **14 Years**

(21) Appl. No.: **29/298,308**

(22) Filed: **Dec. 3, 2007**

(51) **LOC (9) Cl.** ..... **24-02**

(52) **U.S. Cl.** ..... **D24/230**

(58) **Field of Classification Search** ..... D24/140,  
D24/224-230, 232; D9/367, 382, 384, 418,  
D9/755; 206/446; 211/70.6, 74, 21, 69.5;  
220/519; 422/102, 104; 356/246; D6/469,  
D6/514; D7/550.1, 553.4, 553.5, 590, 701;  
D3/313; D11/164; D13/119; 433/77

See application file for complete search history.

(56) **References Cited**

U.S. PATENT DOCUMENTS

D55,496 S *	6/1920	White	.....	D7/590
D122,774 S	10/1940	Frederick		
D127,563 S	6/1941	Cloutier		
D201,695 S	7/1965	Bieger		
D247,533 S *	3/1978	Noyes	.....	D6/514
4,253,830 A *	3/1981	Kazen et al.	.....	433/77
D264,168 S	5/1982	Teuber et al.		
D269,041 S *	5/1983	Dohogne	.....	D24/140
D282,206 S *	1/1986	Roy et al.	.....	D24/230
D288,484 S *	2/1987	Mitchell	.....	D24/230
D301,575 S *	6/1989	Crawford, Jr.	.....	D13/119
D323,245 S *	1/1992	Hobson	.....	D3/313
D323,400 S *	1/1992	Frenkel et al.	.....	D24/230
D324,192 S *	2/1992	Waltel, Jr.	.....	D11/164

D359,127 S	6/1995	Biesecker		
D381,515 S	7/1997	Haynes		
D386,838 S	11/1997	Pini et al.		
D407,243 S *	3/1999	Thoesen	.....	D6/469
D446,311 S	8/2001	Wescott		
D488,965 S	4/2004	Schuler		
D501,679 S *	2/2005	Smith	.....	D24/227
6,920,986 B2 *	7/2005	Lacombe et al.	.....	211/70.6
7,314,142 B2 *	1/2008	Lyman, Jr.	.....	211/69.5
D575,147 S *	8/2008	Ruybal	.....	D9/418
D576,849 S *	9/2008	Carfagna	.....	D7/701

\* cited by examiner

*Primary Examiner*—T. Chase Nelson

*Assistant Examiner*—Mark Cavanna

(74) *Attorney, Agent, or Firm*—Sheppard Mullin Richter & Hampton LLP

(57) **CLAIM**

I claim the ornamental design for a bone plug holder, as shown and described.

**DESCRIPTION**

FIG. 1 is a horizontal side view of a bone plug holder embodying my new design.

FIG. 2 is the vertical side view of a bone plug holder as compared to FIG. 1.

FIG. 3 is a top view of a bone plug holder embodying my new design.

FIG. 4 is a bottom view of a bone plug holder embodying my new design.

FIG. 5 is a perspective view of a bone plug holder embodying my new design; and,

FIG. 6 is a cross-section of the horizontal side view depicted in FIG. 1 of my new design.

**1 Claim, 3 Drawing Sheets**

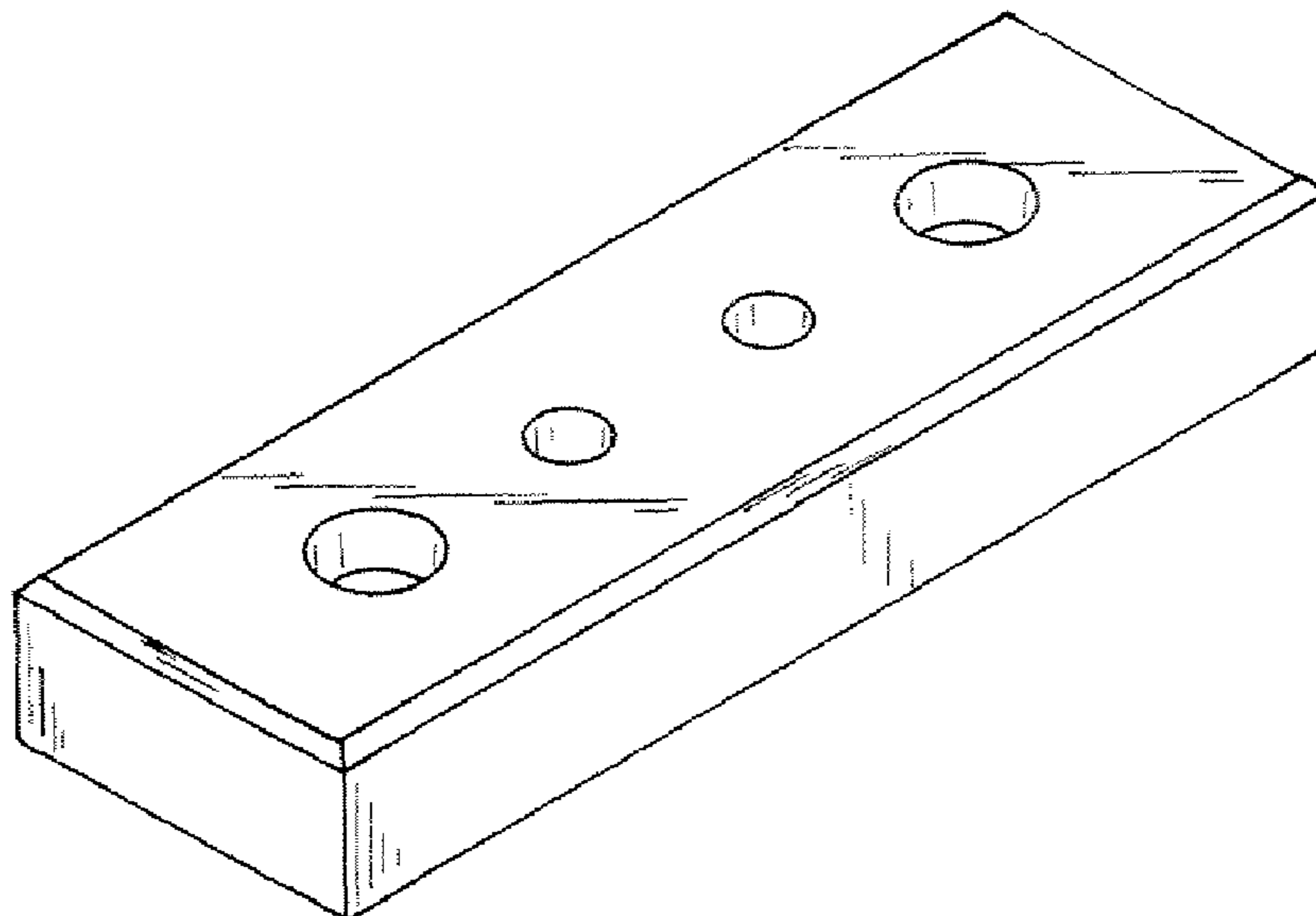


FIG. 1

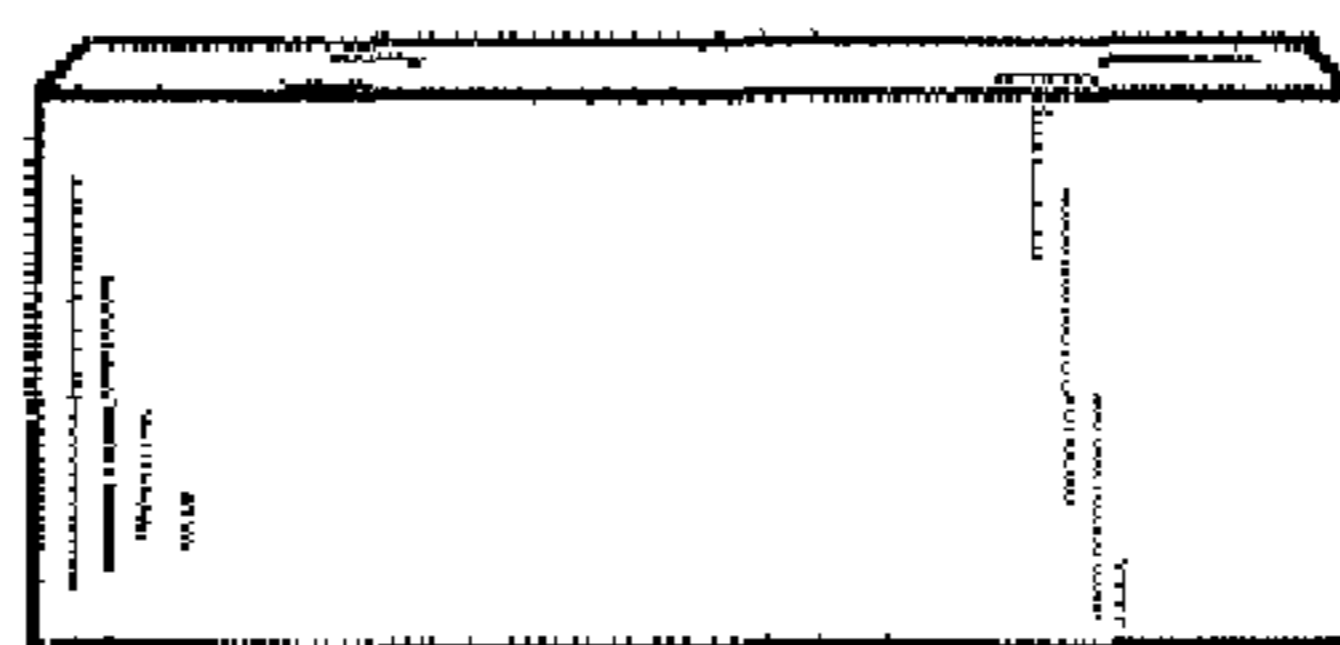
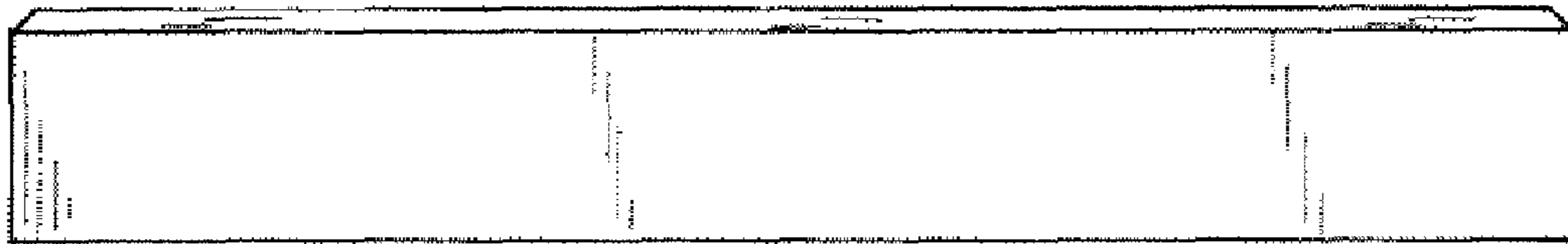


FIG. 2

FIG. 3

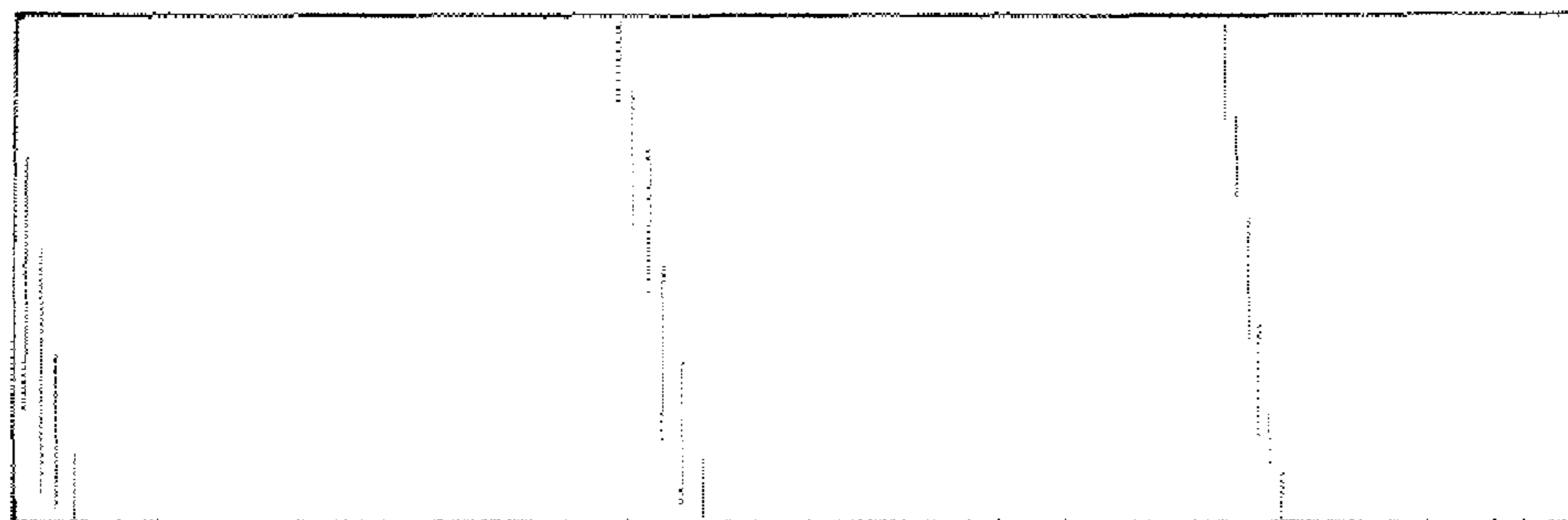
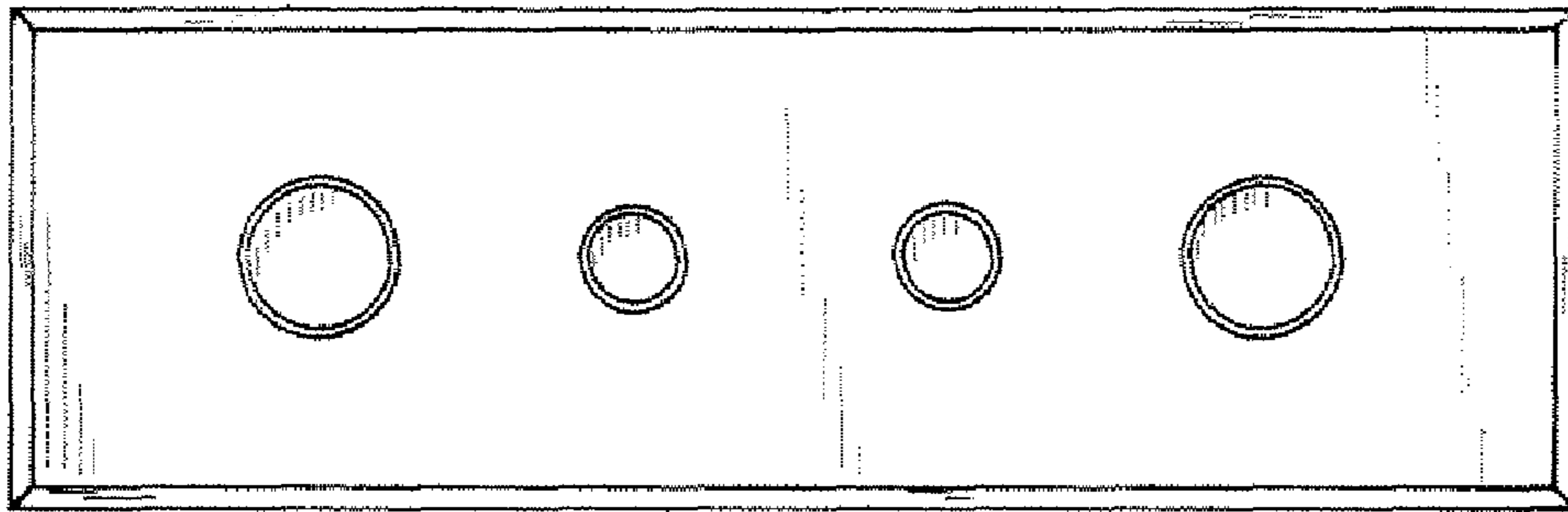


FIG. 4

FIG 5

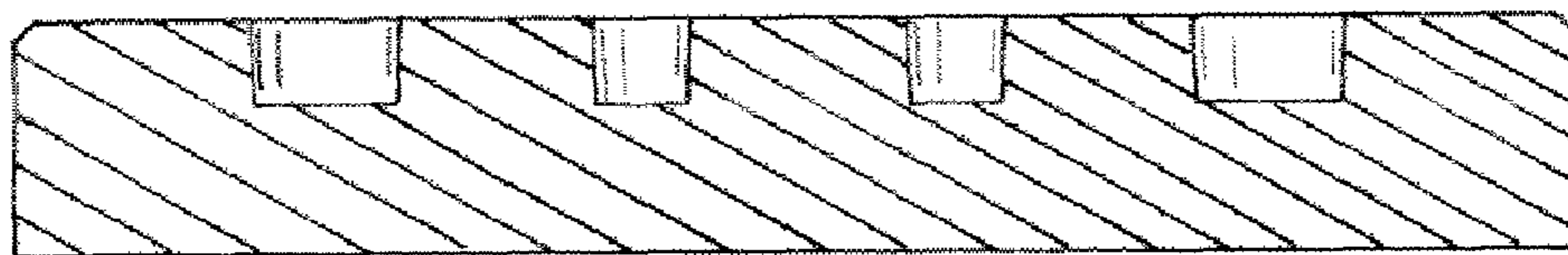
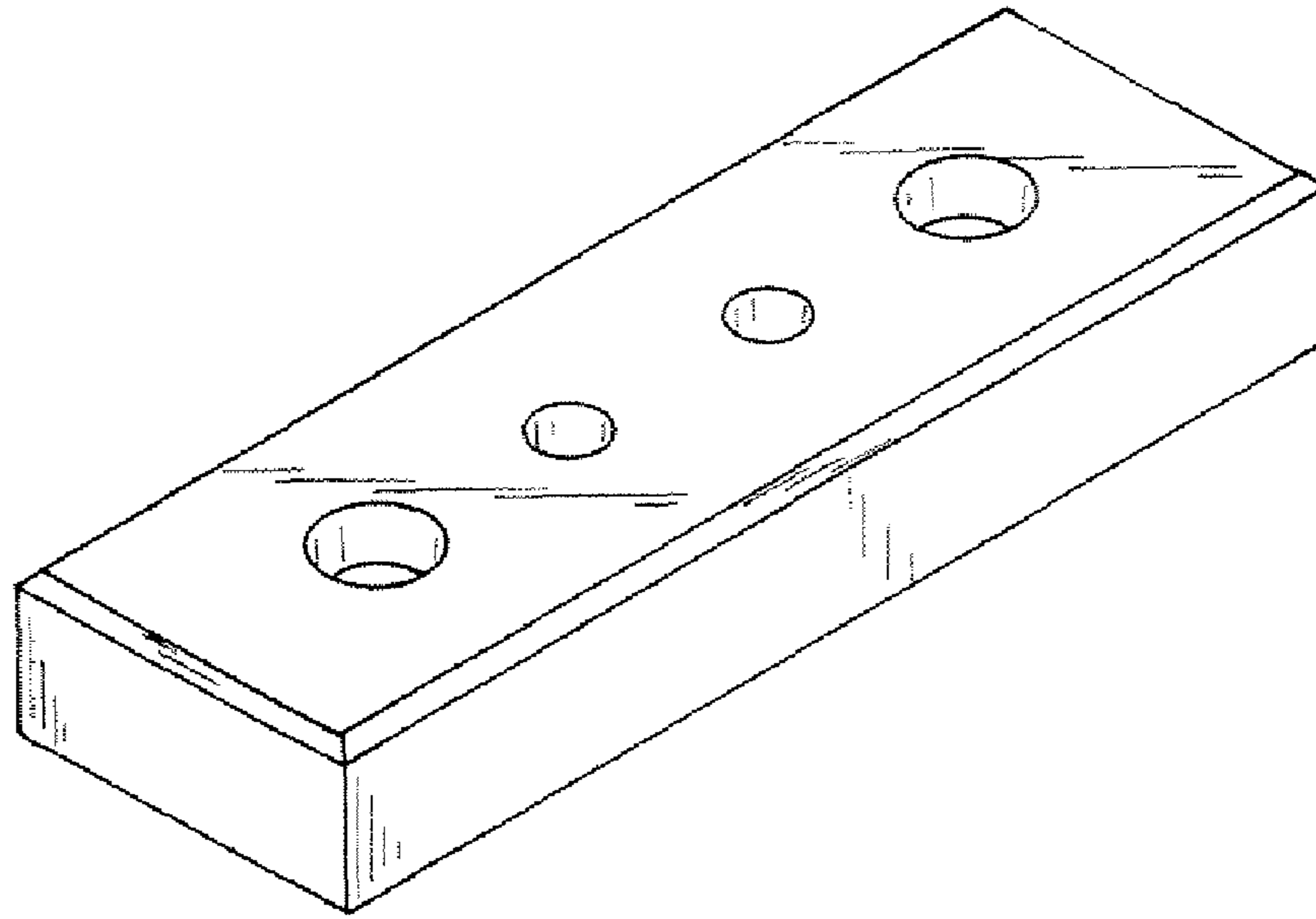


FIG 6