

US00D589625S

(12) **United States Design Patent**
Alejos

(10) **Patent No.:** **US D589,625 S**
(45) **Date of Patent:** **** Mar. 31, 2009**

(54) **PIPETTE**

(75) Inventor: **Frédéric Alejos**, Cergy (FR)

(73) Assignee: **Gilson S.A.S.**, Villiers le Bel (FR)

(**) Term: **14 Years**

(21) Appl. No.: **29/224,561**

(22) Filed: **Mar. 4, 2005**

(30) **Foreign Application Priority Data**

Sep. 7, 2004 (EM) 000222989-0002

(51) **LOC (9) Cl.** **24-02**

(52) **U.S. Cl.** **D24/222**

(58) **Field of Classification Search** D24/216-230;
422/99-102, 104; 435/288.3, 288.4; 73/863.32,
73/864.01, 864.17, 864.02
See application file for complete search history.

(56) **References Cited**

U.S. PATENT DOCUMENTS

D279,710	S *	7/1985	Yonkers et al.	D24/222
4,779,467	A *	10/1988	Rainin et al.	73/864.17
D302,855	S *	8/1989	Lyman	D24/222
D325,974	S *	5/1992	Kalmakis et al.	D24/222
5,779,984	A *	7/1998	Kelly et al.	422/104
6,019,004	A *	2/2000	Conley et al.	73/864.16
6,968,749	B2 *	11/2005	Chen et al.	73/863.32
2001/0043885	A1 *	11/2001	Wanner	422/100

2002/0005075	A1	1/2002	Kriz et al.
2005/0255006	A1	11/2005	Romaguera
2007/0056351	A1	3/2007	Curtis et al.

OTHER PUBLICATIONS

Transferpette® electronic brochure available at <http://www.brandtech.com>, Apr. 3, 2004 (4 pgs.).

* cited by examiner

Primary Examiner—T. Chase Nelson

Assistant Examiner—Anhdao Doan

(74) *Attorney, Agent, or Firm*—Foley & Lardner LLP

(57) **CLAIM**

The ornamental design for a pipette, as shown and described.

DESCRIPTION

FIG. 1 is a front view of a pipette according to the present design;

FIG. 2 is an enlarged scale rear view thereof;

FIG. 3 is a side view thereof;

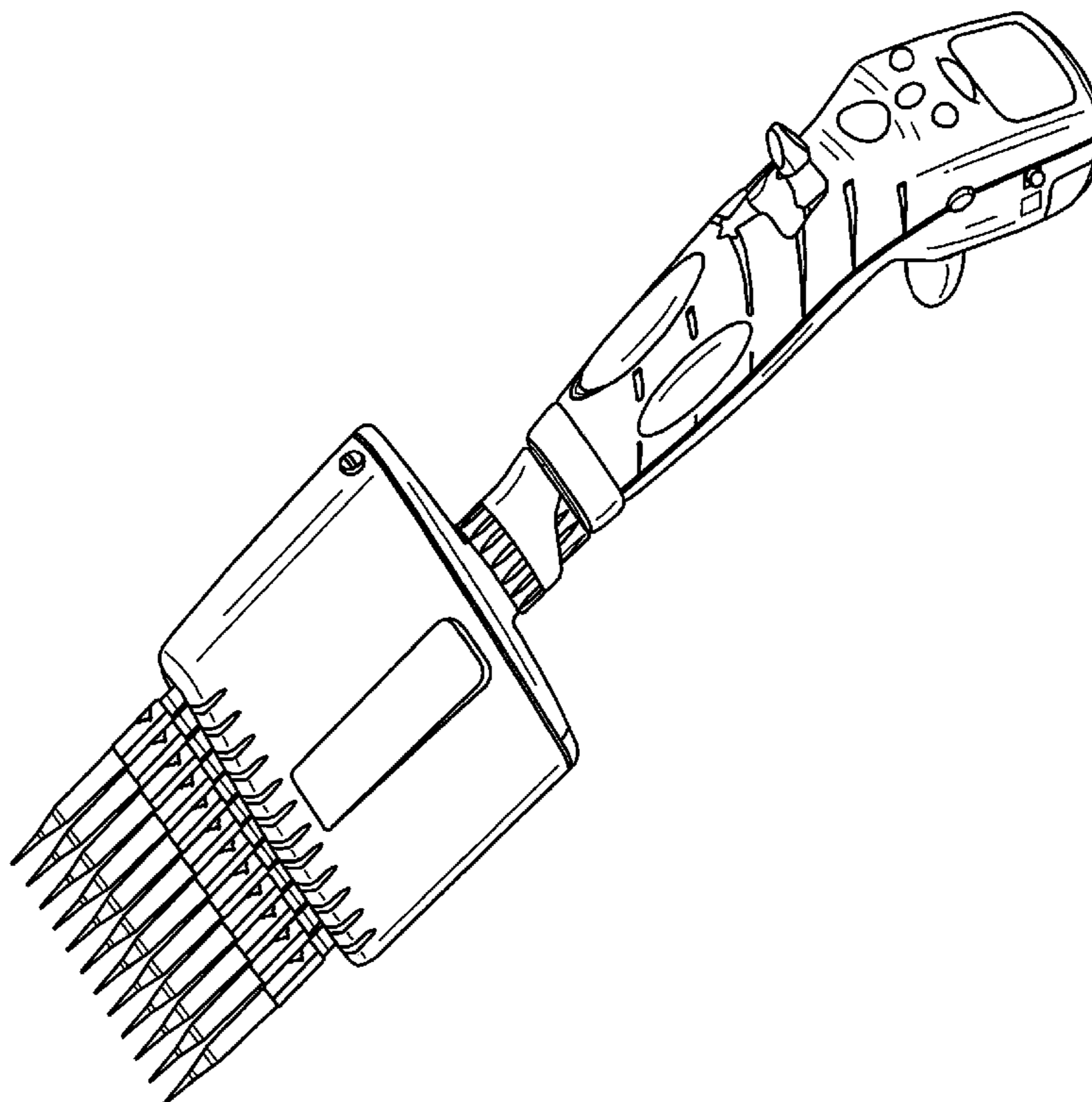
FIG. 4 is a bottom view thereof;

FIG. 5 is a front perspective view thereof; and,

FIG. 6 is a rear perspective view thereof.

FIGS. 5 and 6 show a tip portion of the pipette rotated relative to a housing of the pipette as compared to the position of the tip portion in FIGS. 1-4 indicating the ability of the tip portion to rotate relative to the housing.

1 Claim, 6 Drawing Sheets



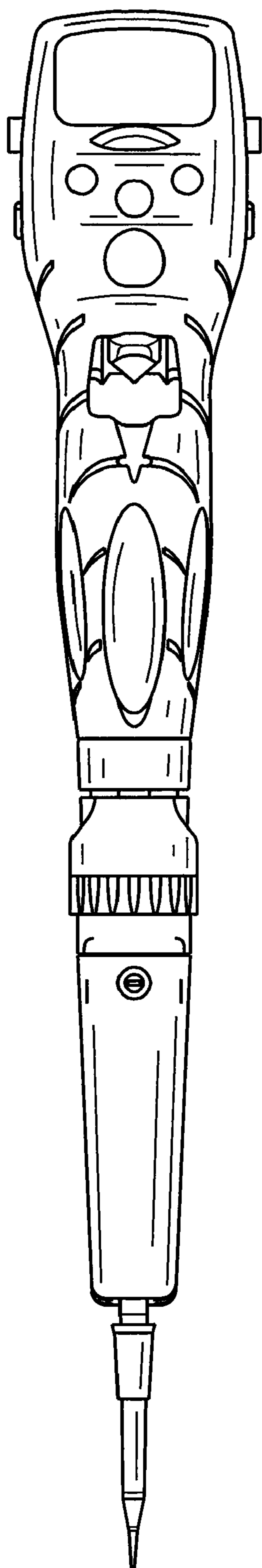


FIG. 1

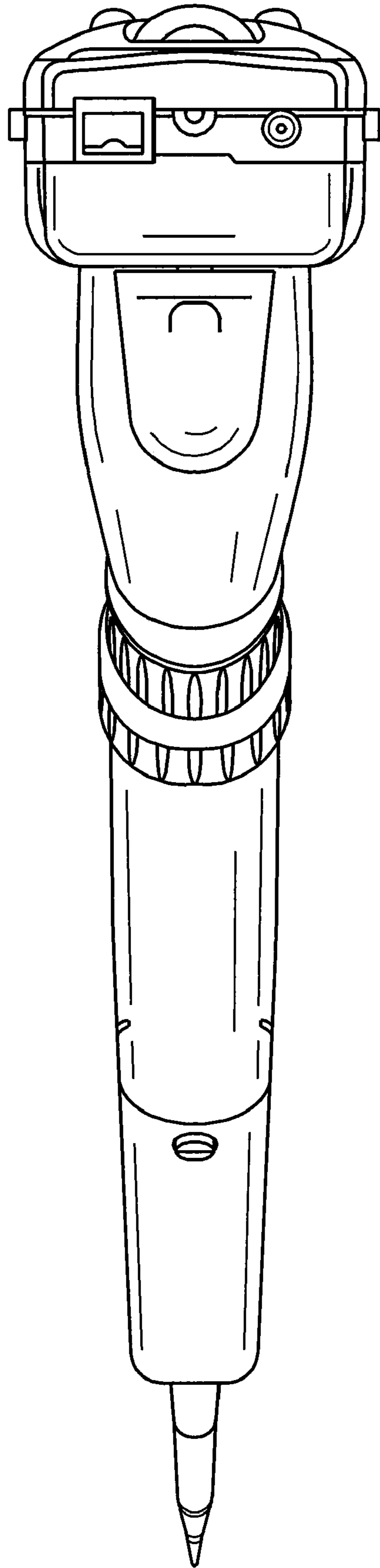


FIG. 2

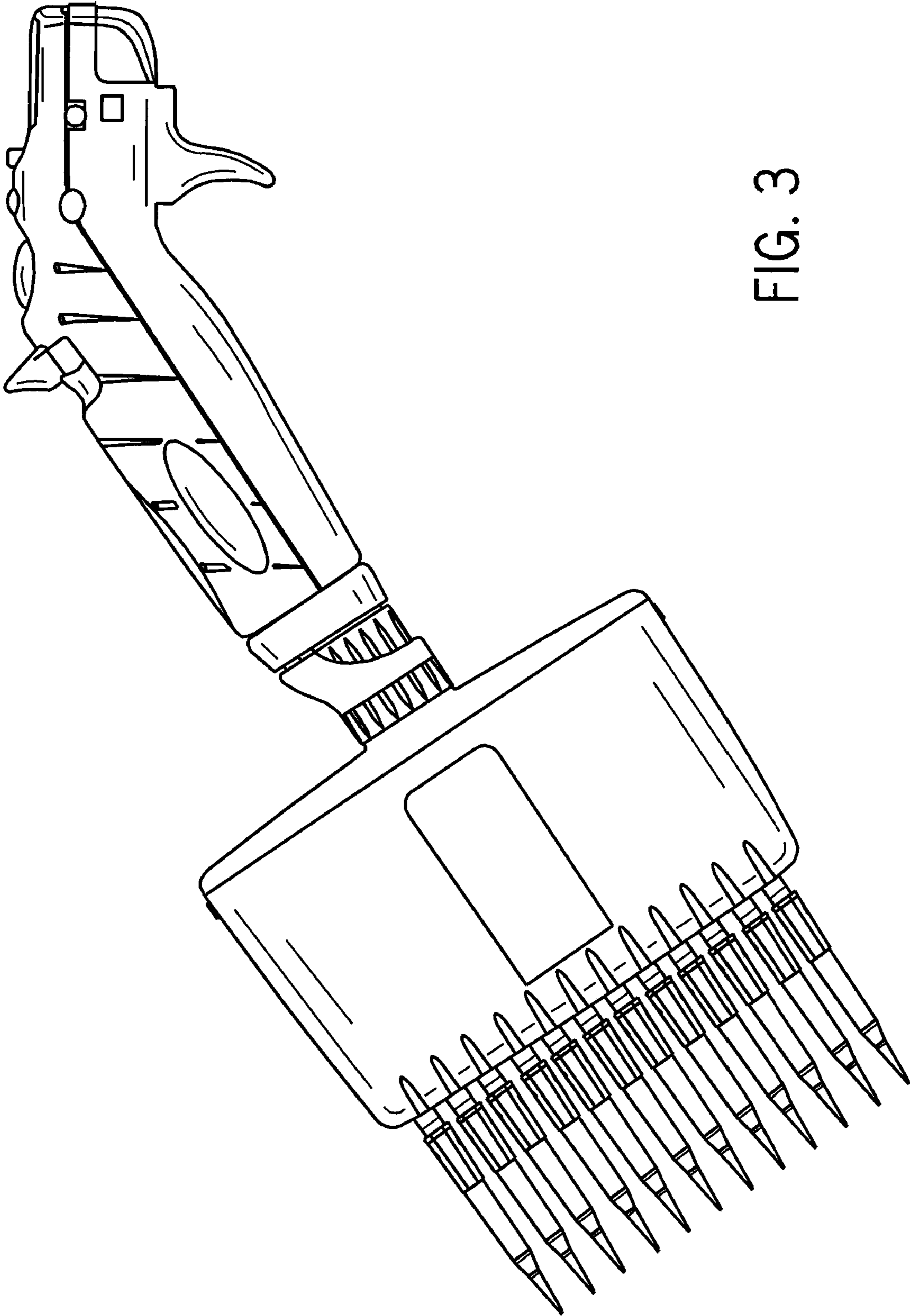


FIG. 3

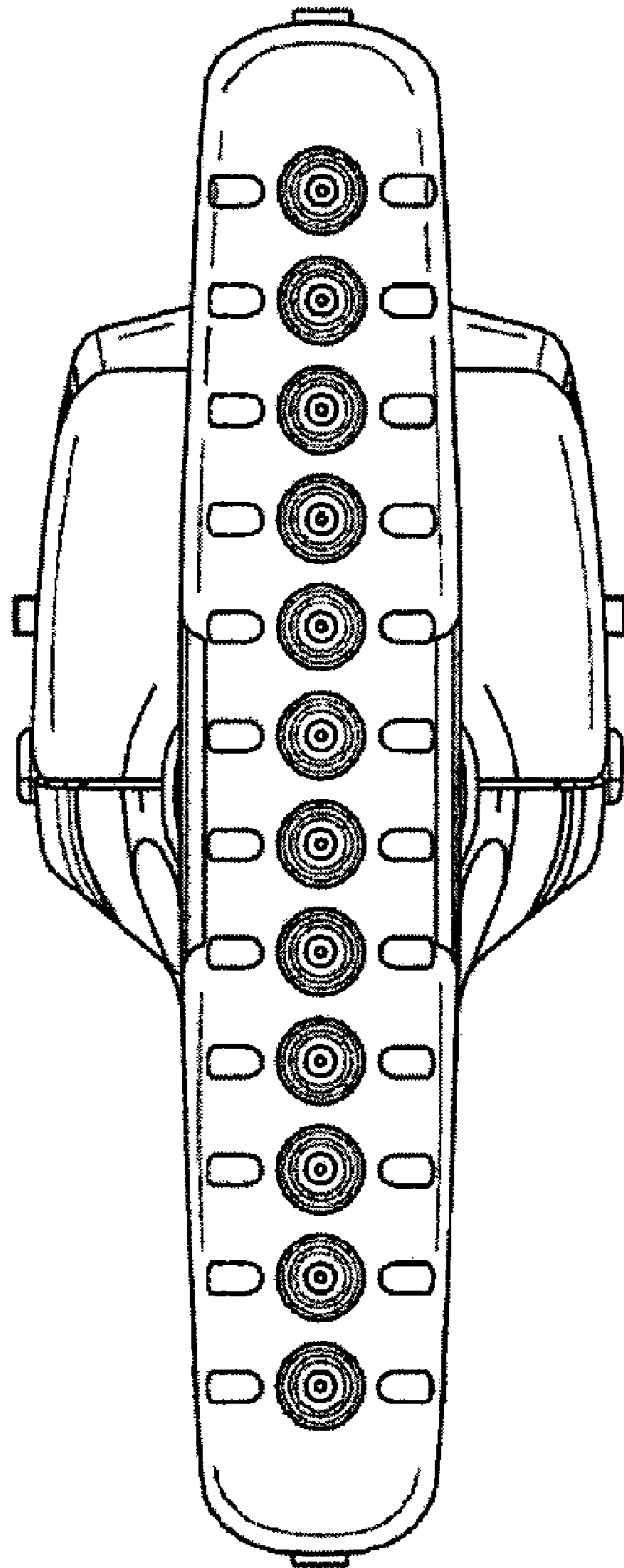


FIG. 4

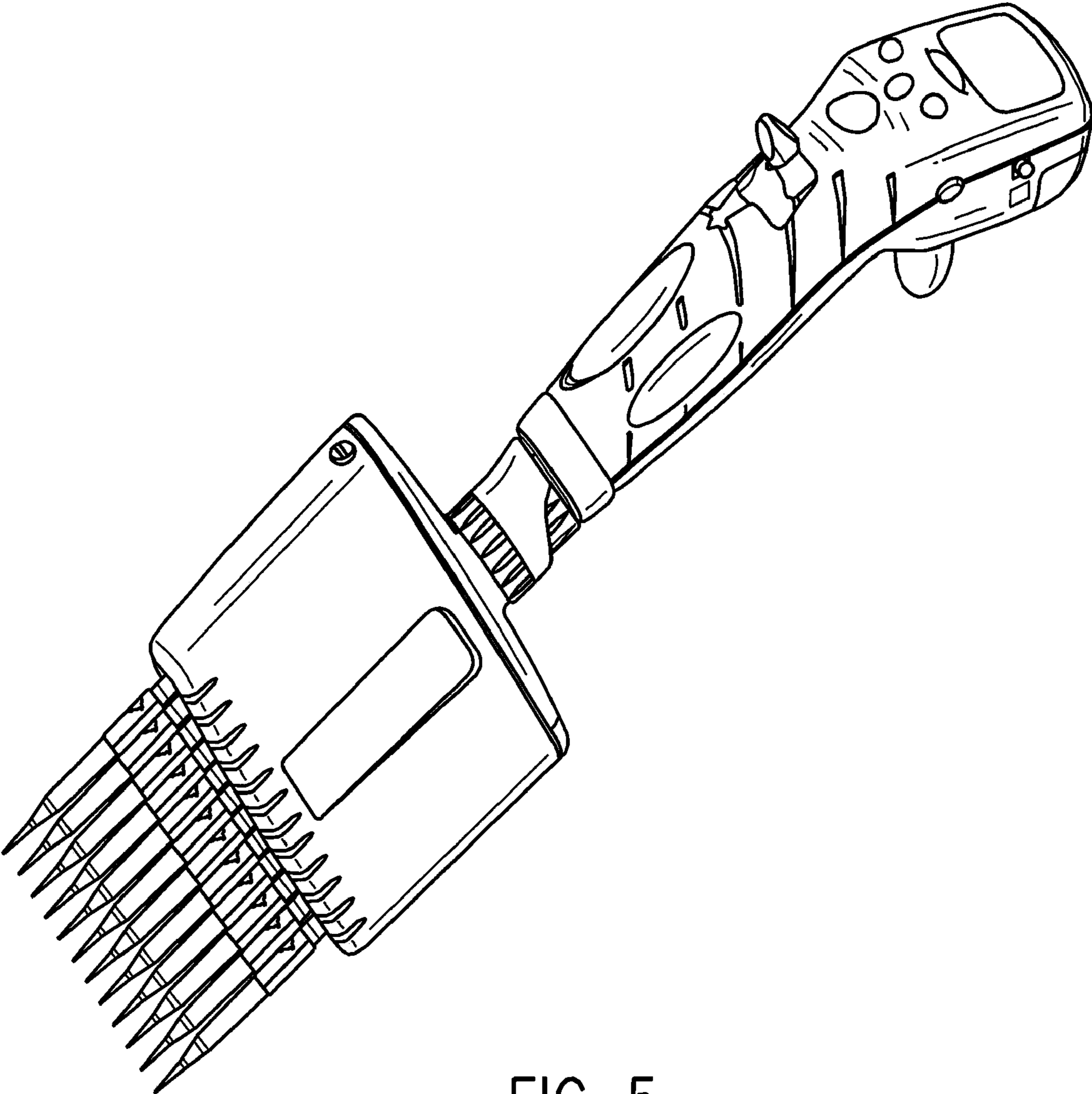


FIG. 5

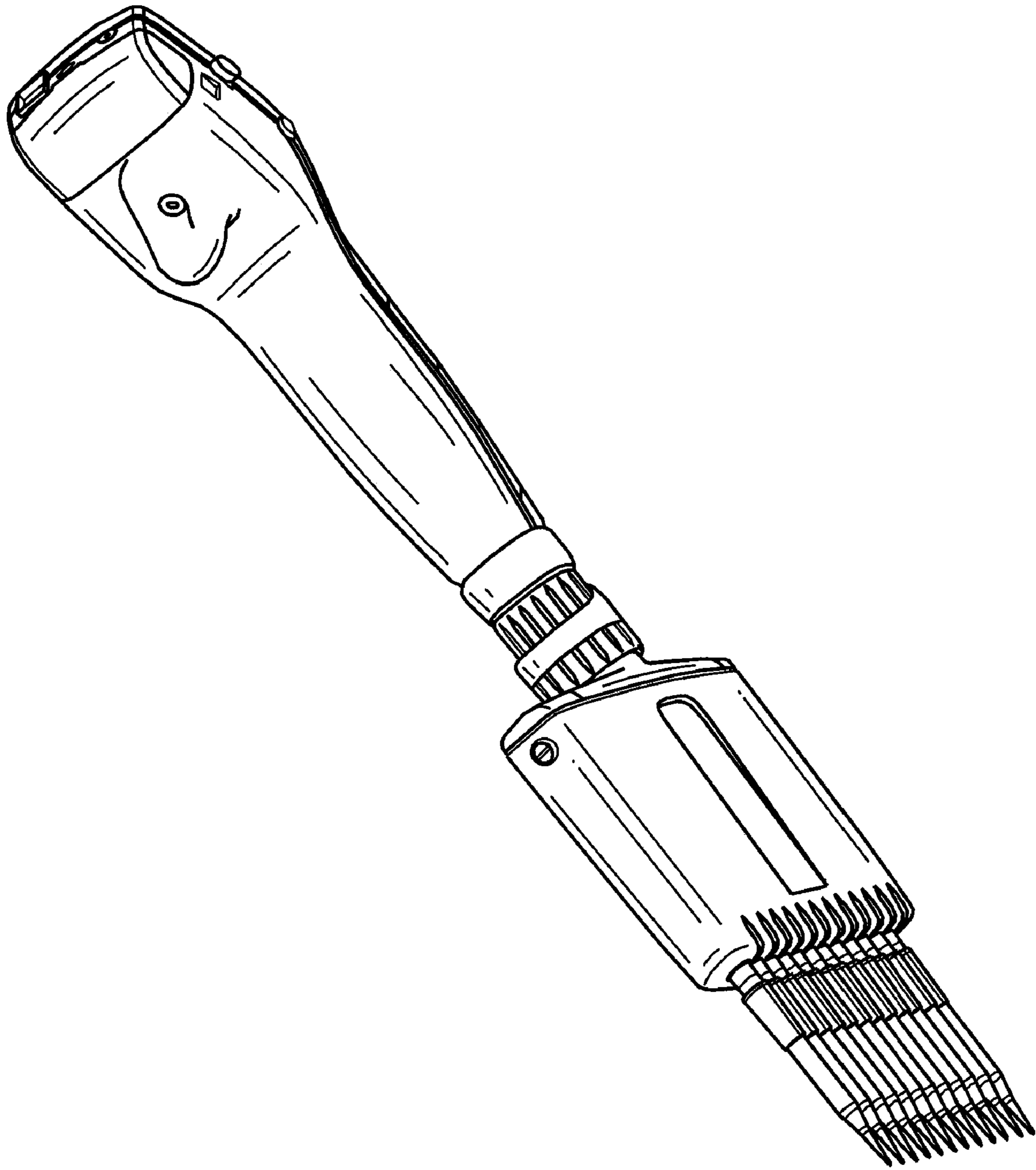


FIG. 6