



US00D589623S

(12) **United States Design Patent**
Olliges

(10) **Patent No.:** **US D589,623 S**
(45) **Date of Patent:** **** Mar. 31, 2009**

(54) **SPINAL DECOMPRESSION APPARATUS**

(76) **Inventor:** **William E. Olliges**, 5027 SW. Moore St., Palm City, FL (US) 34990

(**) **Term:** **14 Years**

(21) **Appl. No.:** **29/303,116**

(22) **Filed:** **Feb. 1, 2008**

(51) **LOC (9) Cl.** **24-04**

(52) **U.S. Cl.** **D24/188**

(58) **Field of Classification Search** D24/158,
D24/171, 183–186, 188, 190, 234; D6/367,
D6/382, 383, 384; 606/237, 242–243; 128/869
See application file for complete search history.

(56) **References Cited**

U.S. PATENT DOCUMENTS

1,936,363	A *	11/1933	Murray	606/242
3,685,511	A *	8/1972	Alvarez	601/115
D269,543	S *	6/1983	Walper et al.	D24/183
D269,701	S *	7/1983	Miller	D24/188
D273,983	S *	5/1984	McGowen	D24/183
4,602,619	A *	7/1986	Wolf et al.	606/241
D310,882	S *	9/1990	Pope	D24/188
5,054,137	A *	10/1991	Christensen	5/81.1 RP
5,074,286	A *	12/1991	Gillaspie et al.	601/148
D378,933	S *	4/1997	Johansson	D21/676

D455,495	S *	4/2002	Tinsley	D24/183
D456,905	S *	5/2002	Riley	D24/183
D463,563	S *	9/2002	Schoenig et al.	D24/183
D562,984	S *	2/2008	Becerra et al.	D24/183
D569,980	S *	5/2008	Bass	D24/183
D584,819	S *	1/2009	Becerra et al.	D24/183

* cited by examiner

Primary Examiner—Holly H Baynham

Assistant Examiner—Michelle E Wilson

(74) *Attorney, Agent, or Firm*—McHale & Slavin, P.A.

(57) **CLAIM**

The ornamental design for a spinal decompression apparatus, as shown and described.

DESCRIPTION

FIG. 1 is a perspective view of a spinal decompression apparatus, showing my new design;

FIG. 2 is a front elevation view thereof;

FIG. 3 is a left side view thereof, the right side forming a mirror image not shown;

FIG. 4 is a top view thereof;

FIG. 5 is a bottom view thereof; and,

FIG. 6 is a rear view thereof.

1 Claim, 5 Drawing Sheets

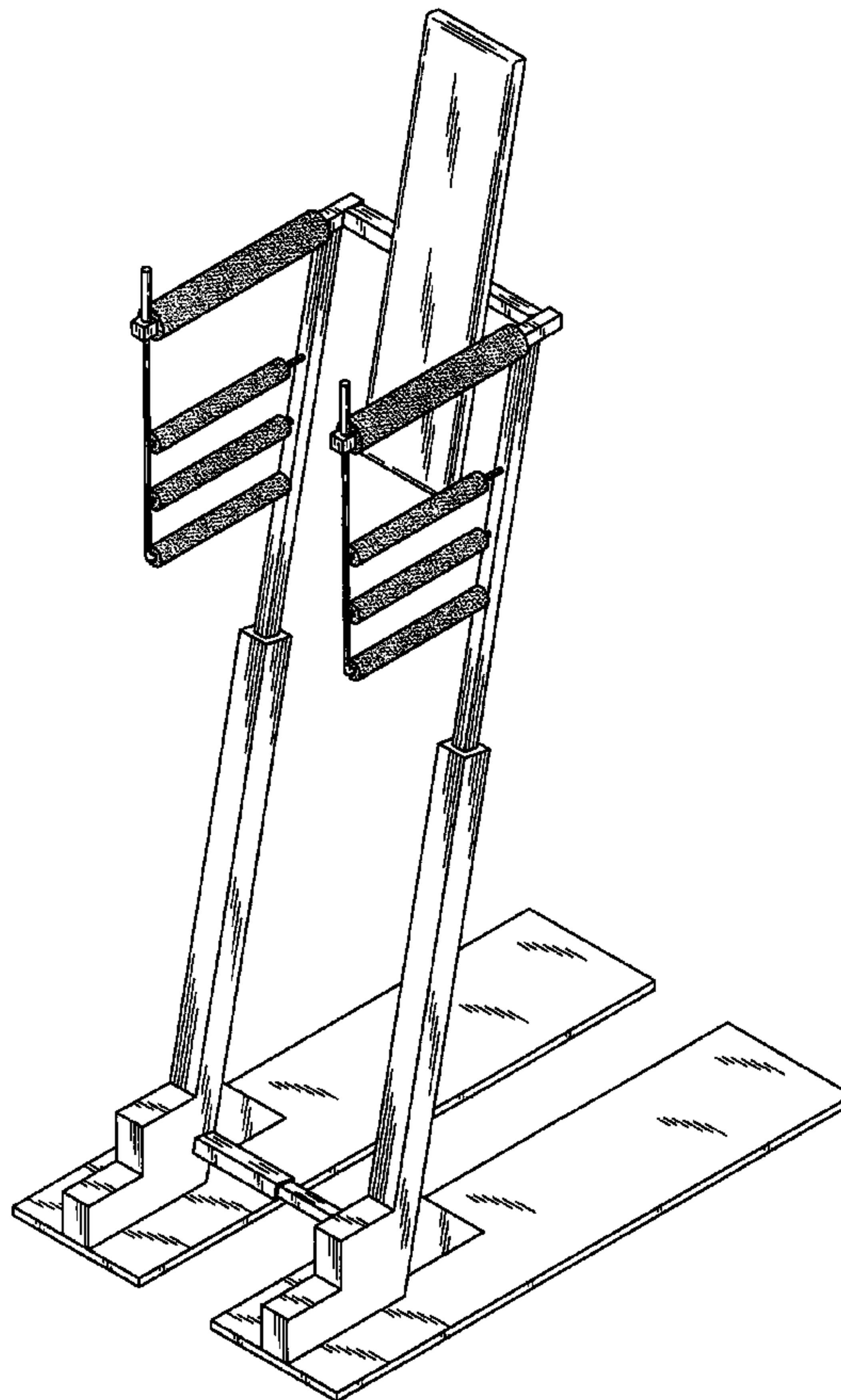


FIG. 1

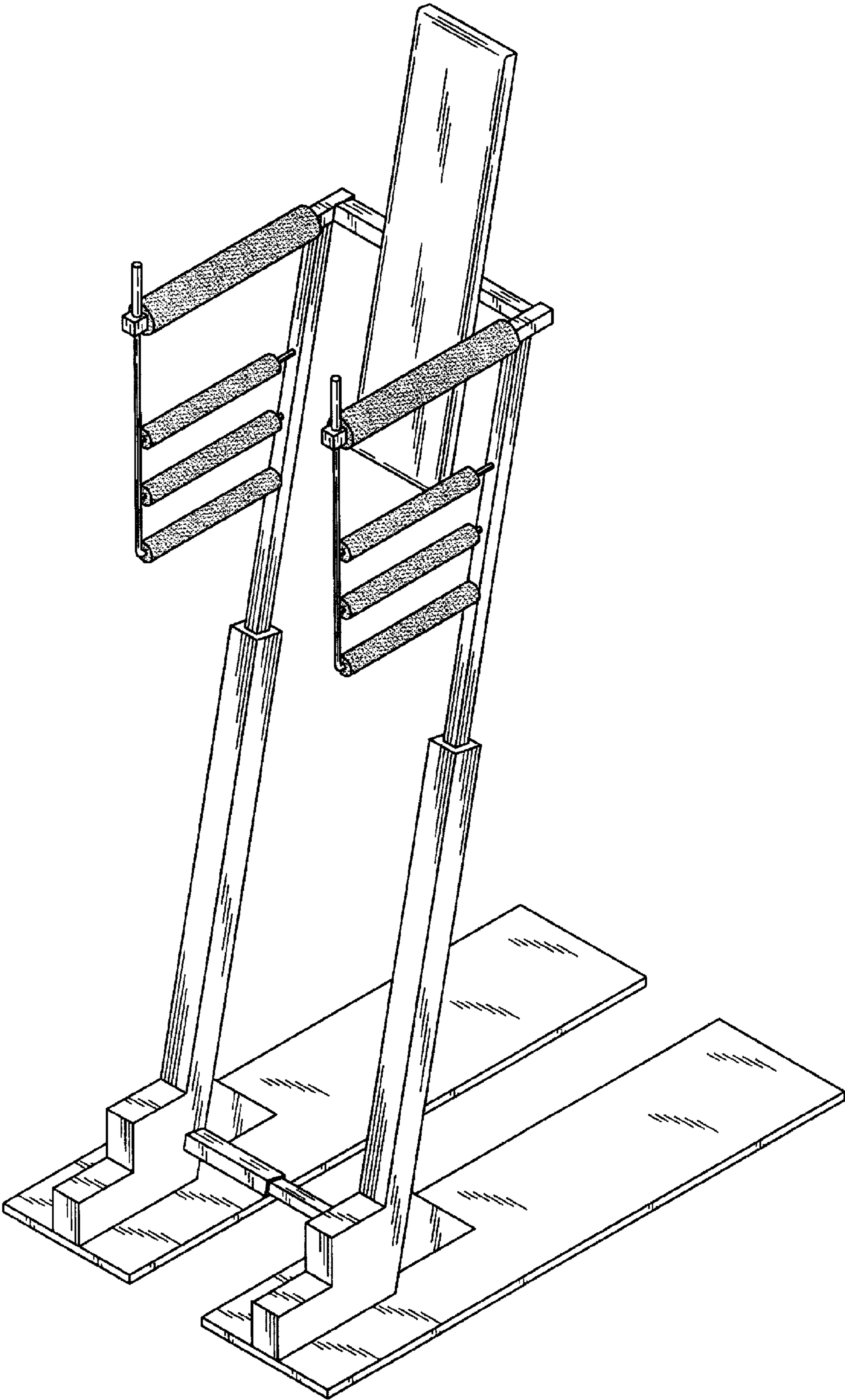


FIG. 2

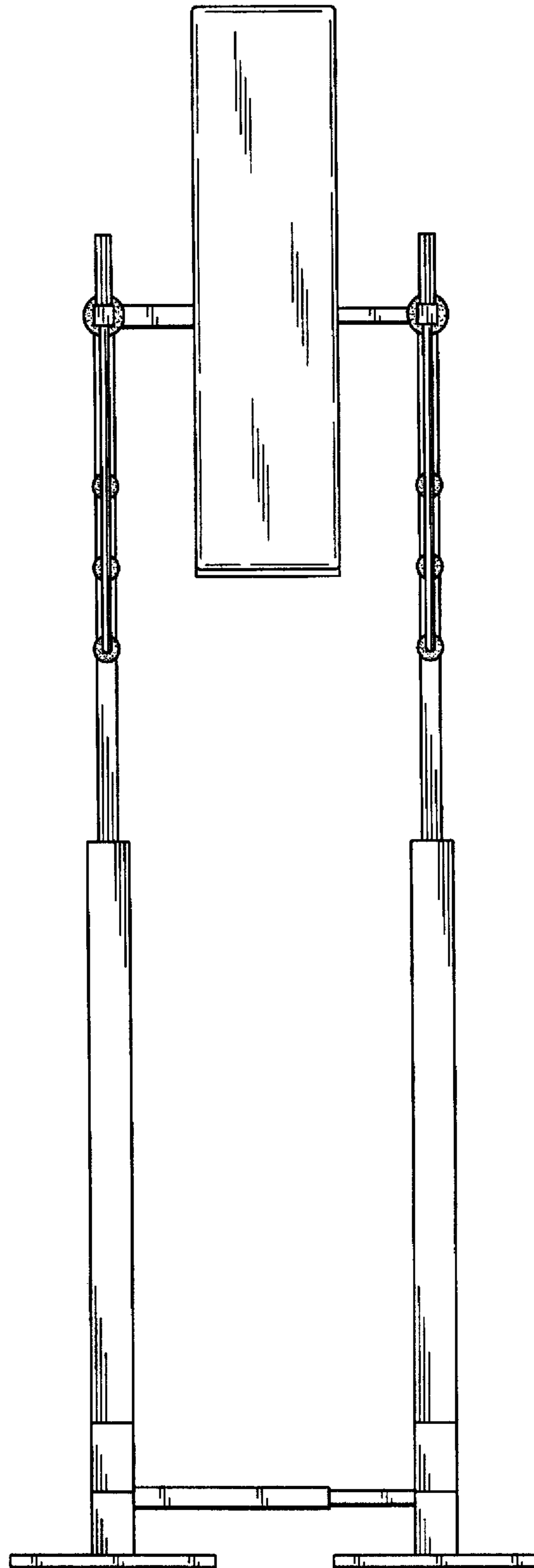


FIG. 3

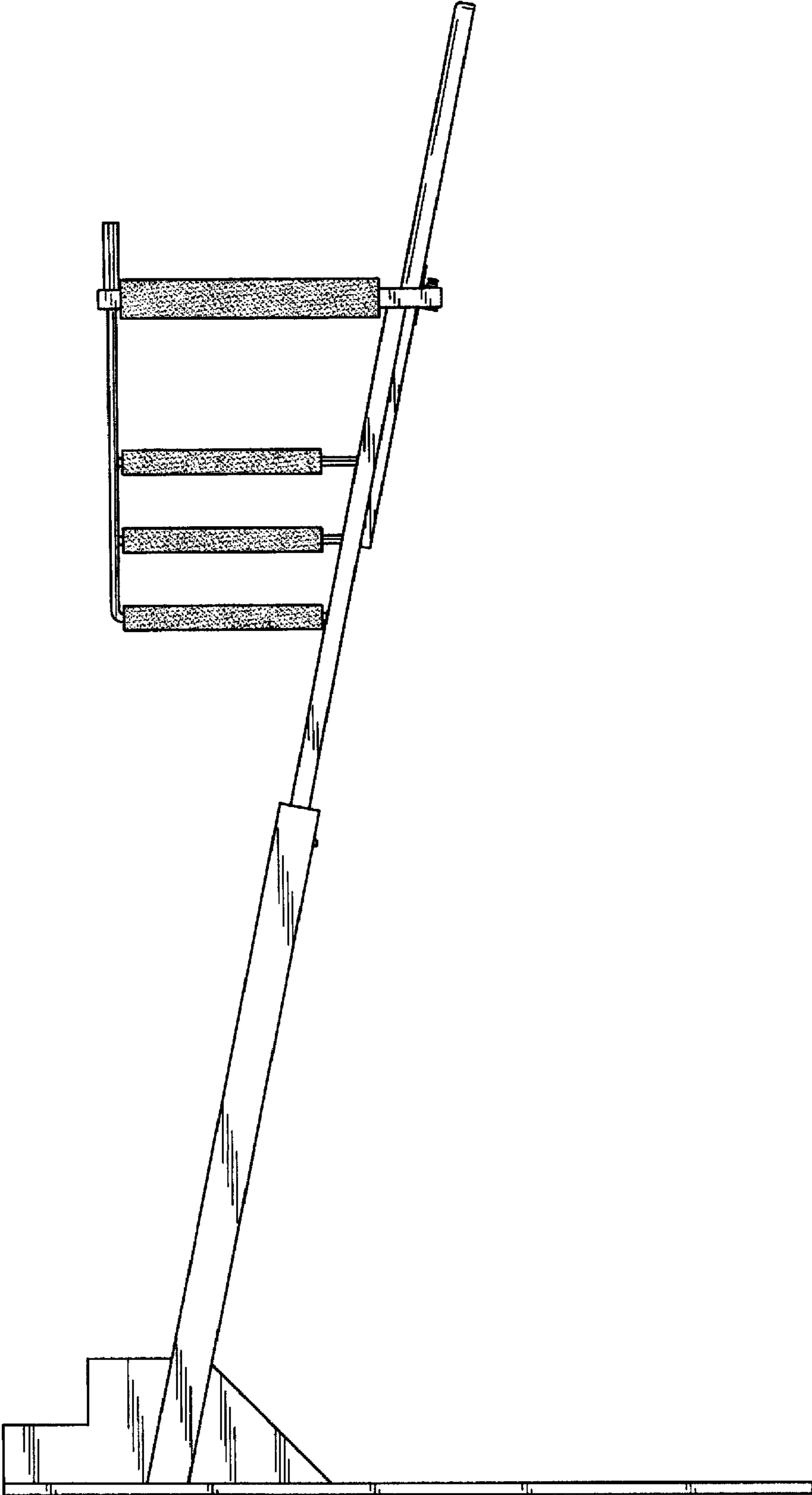


FIG. 4

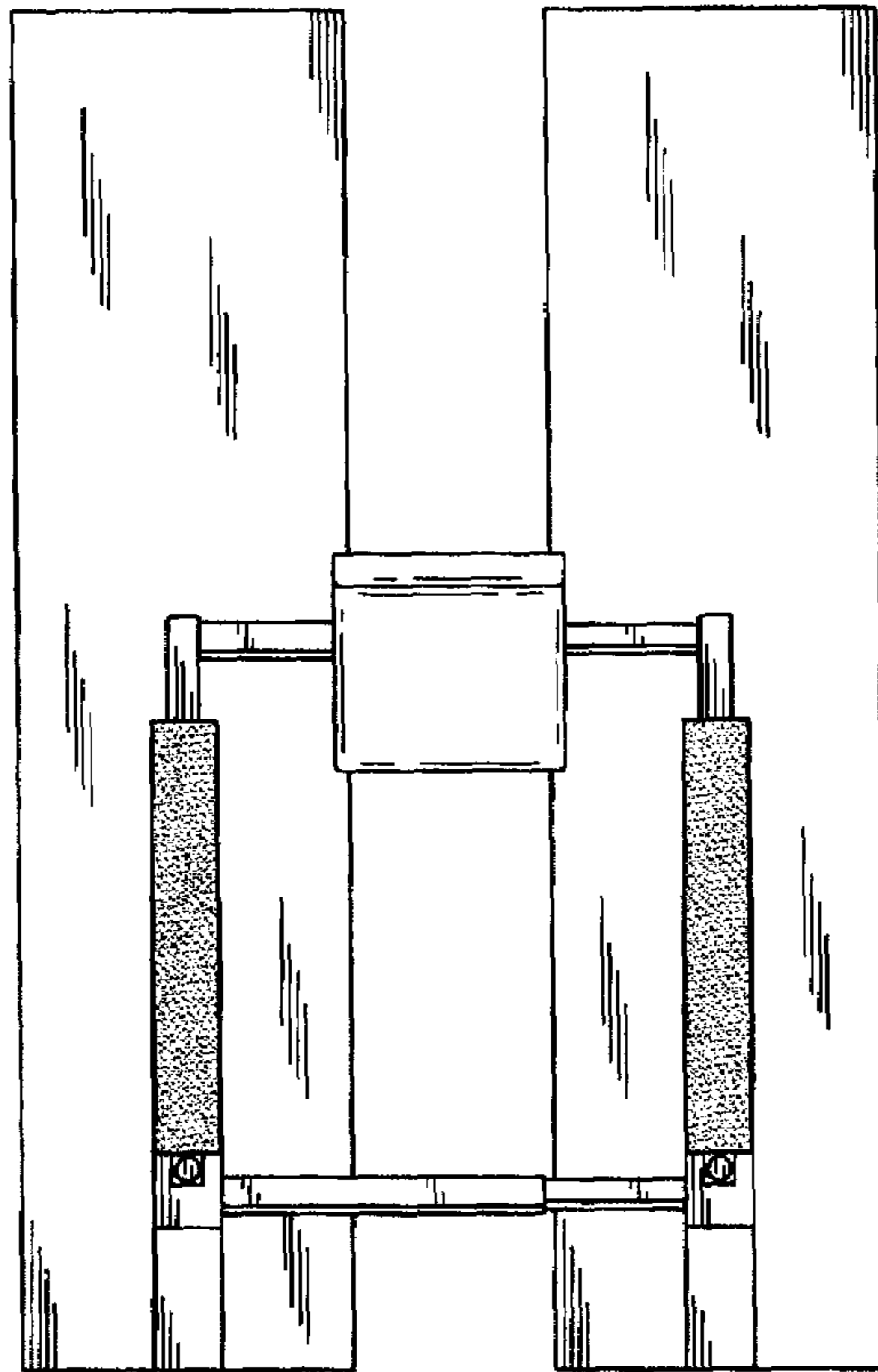


FIG. 5

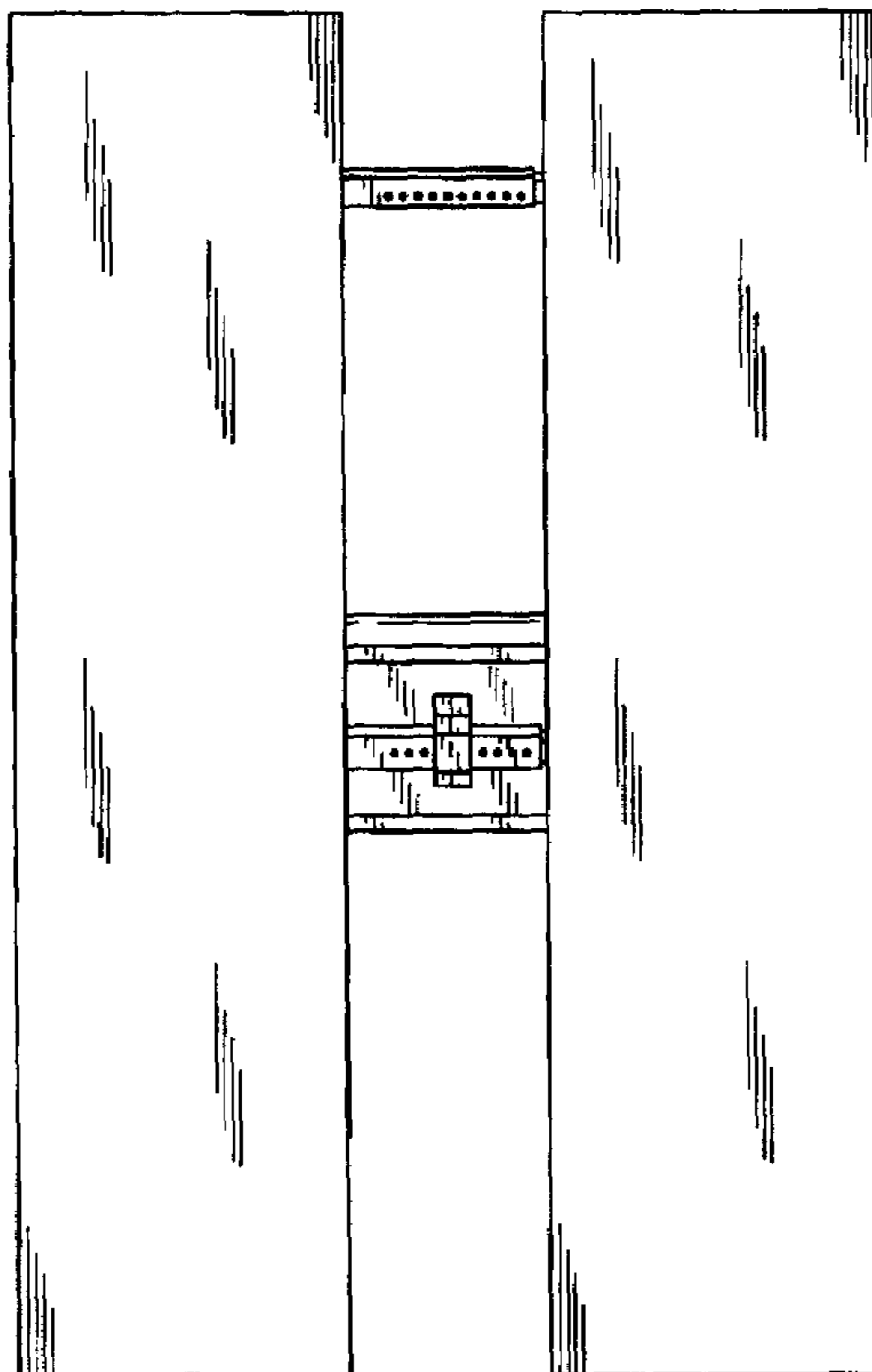


FIG. 6

