



US00D589622S

(12) **United States Design Patent**
Koest

(10) **Patent No.:** **US D589,622 S**
(45) **Date of Patent:** **** Mar. 31, 2009**

(54) **AUTOREFRACTOKERATOMETER WITH INTEGRATED PACHYMETER**

7,377,642 B2 * 5/2008 Ishihara et al. 351/206
7,399,081 B2 * 7/2008 Mimura et al. 351/205

(75) Inventor: **Gert Koest**, Hannover (DE)

* cited by examiner

(73) Assignee: **Oculus Optikgeraete GmbH**,
Wetzler-Dutenhofen (DE)

Primary Examiner—Antoine D Davis
(74) *Attorney, Agent, or Firm*—Schwegman, Lundberg &
Woessner, P.A.

(**) Term: **14 Years**

(57) **CLAIM**

(21) Appl. No.: **29/297,240**

The ornamental design for the autorefractokeratometer with integrated pachymeter, as shown and described.

(22) Filed: **Nov. 7, 2007**

(51) **LOC (9) Cl.** **24-01**

DESCRIPTION

(52) **U.S. Cl.** **D24/172; D10/46**

FIG. 1 is a perspective view of the autorefractokeratometer with integrated pachymeter, incorporating the new design; and

(58) **Field of Classification Search** D10/46;
D24/172; 351/200, 204, 205; 356/128, 129,
356/130–137

FIG. 2 is a front elevational view thereof;

See application file for complete search history.

FIG. 3 is a rear elevational view thereof;

(56) **References Cited**

U.S. PATENT DOCUMENTS

D316,144 S *	4/1991	Nishimura	D24/172
5,532,769 A *	7/1996	Miwa et al.	351/205
D394,505 S *	5/1998	Hayashi	D24/172
5,772,298 A *	6/1998	Miyake	351/205
D465,850 S *	11/2002	Takizawa	D24/172
D552,736 S *	10/2007	Yamaoka	D24/172
7,280,192 B2 *	10/2007	Hayashi et al.	356/124

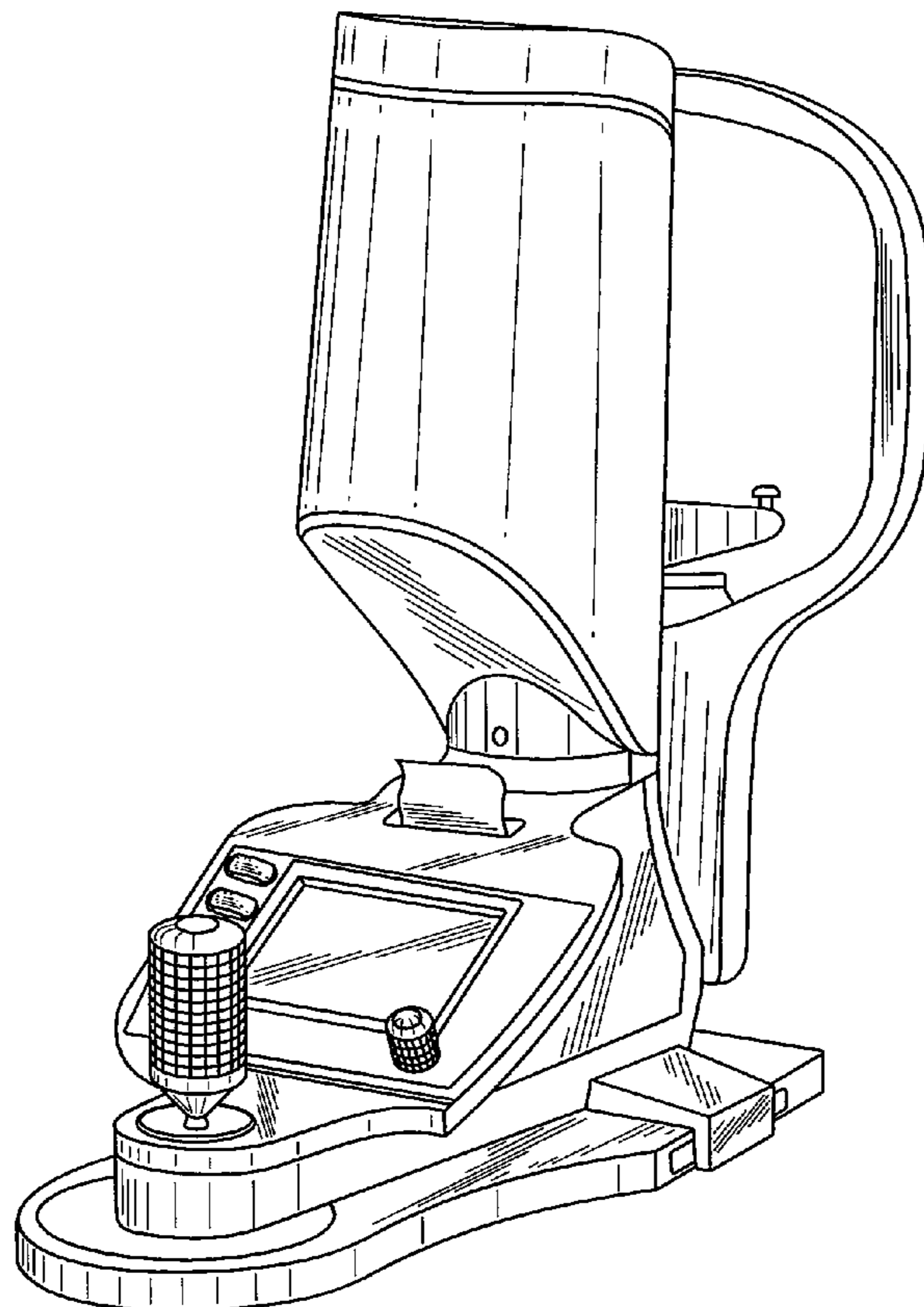
FIG. 4 is a right side elevational view thereof; and

FIG. 5 is a left side elevational view thereof;

FIG. 6 is a top view of the autorefractokeratometer with integrated pachymeter; and,

FIG. 7 is a bottom view of the autorefractokeratometer with integrated pachymeter.

1 Claim, 7 Drawing Sheets



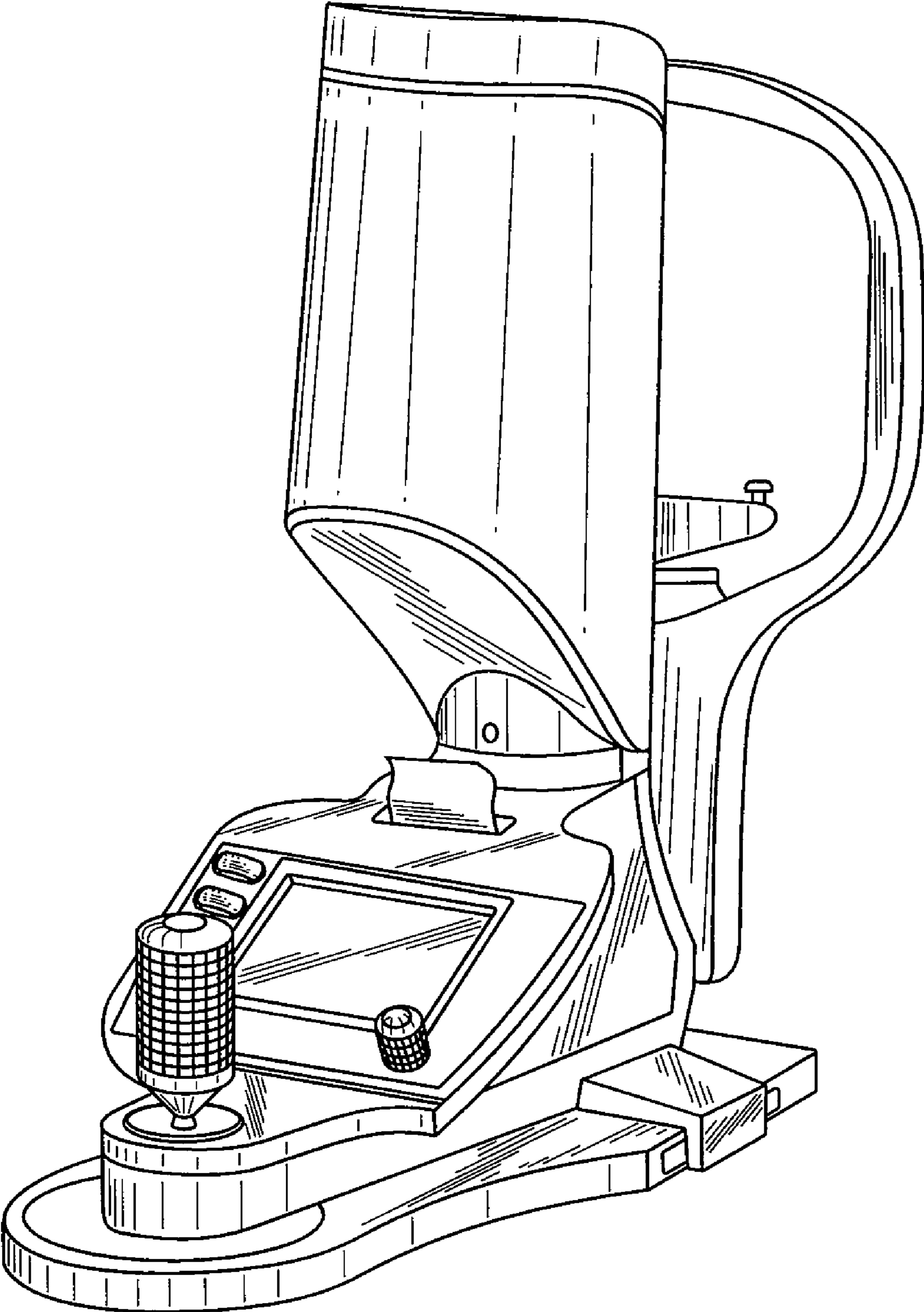


FIG. 1

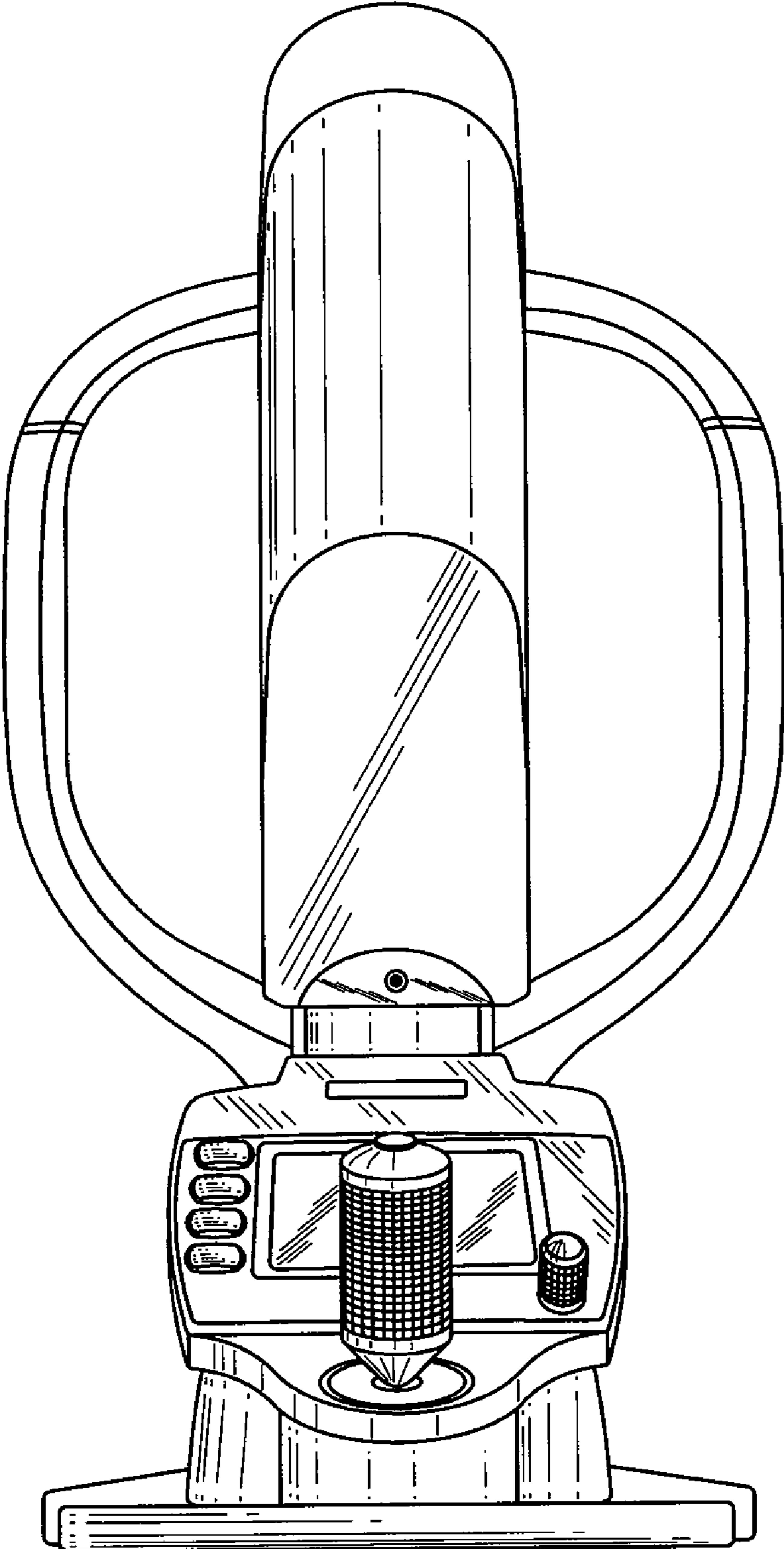


FIG. 2

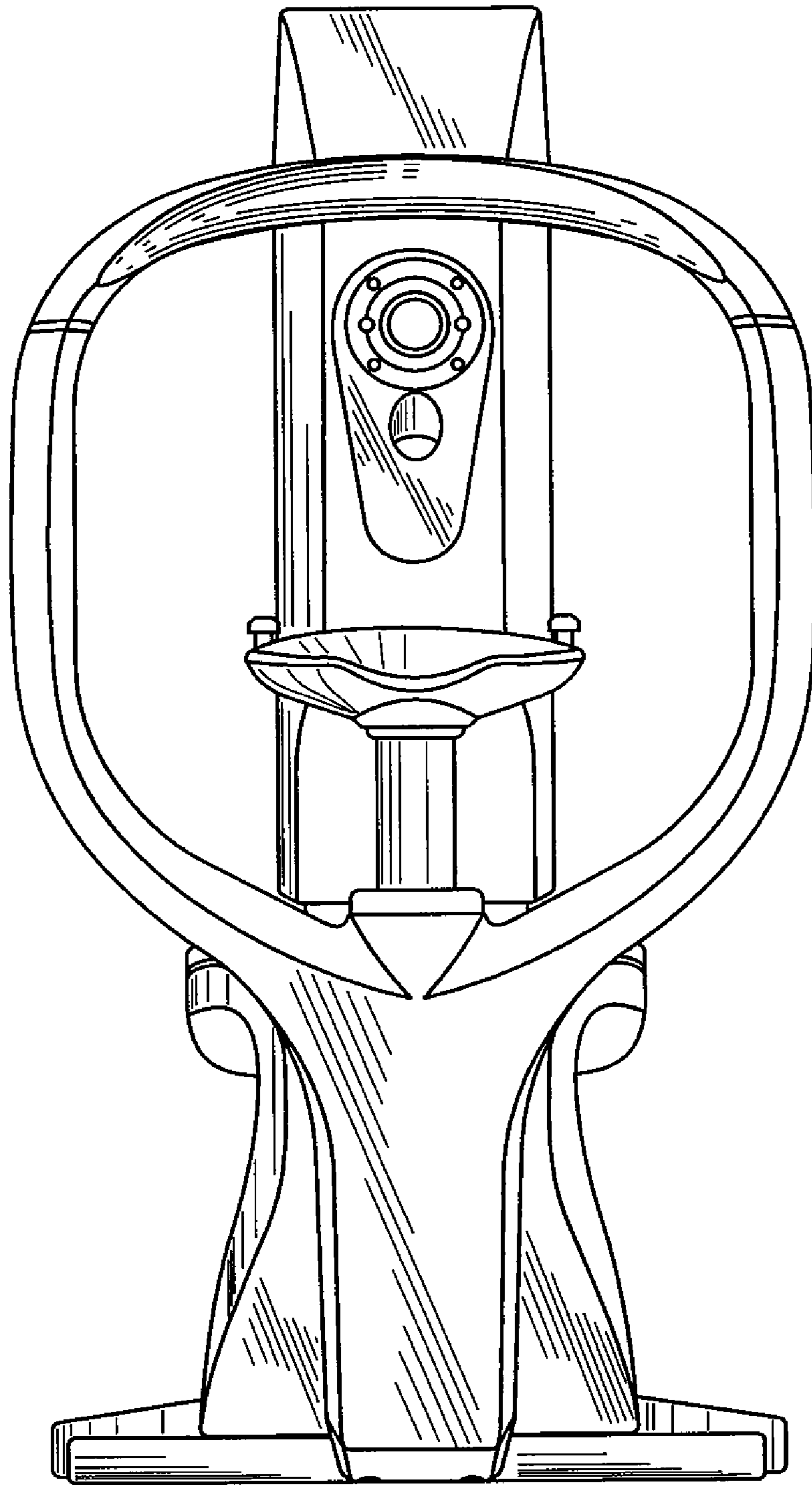


FIG. 3

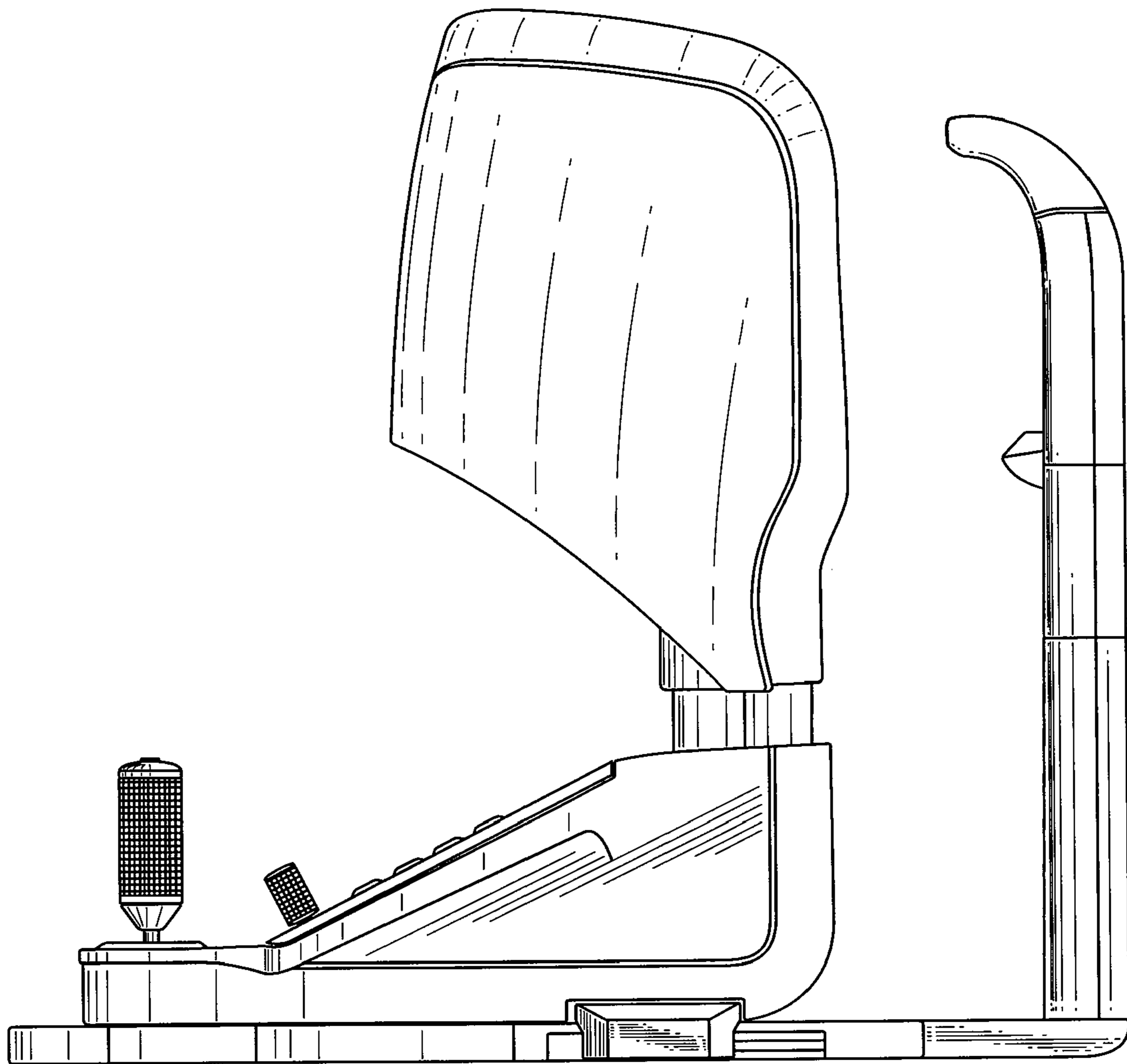


FIG. 4

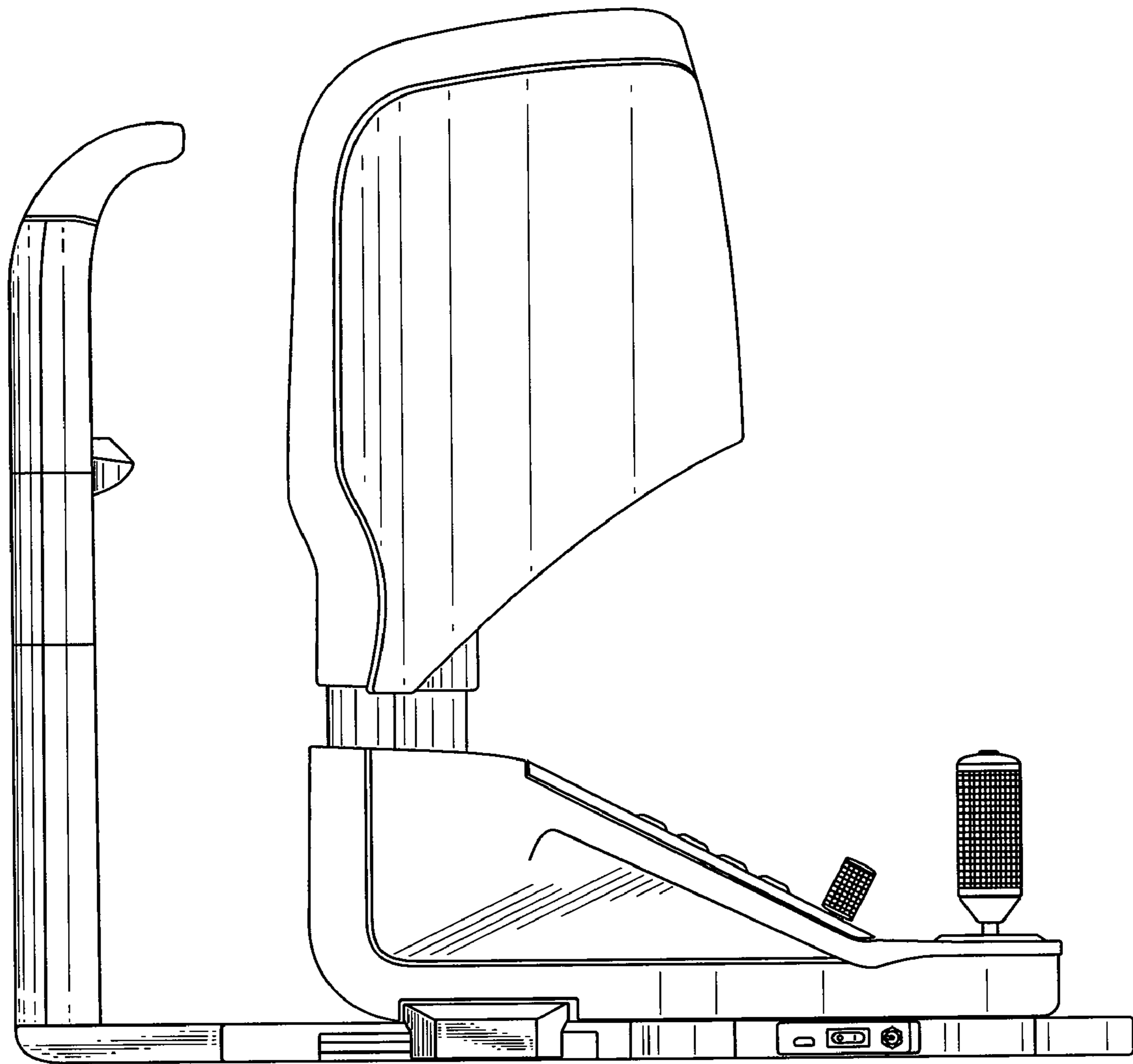


FIG. 5

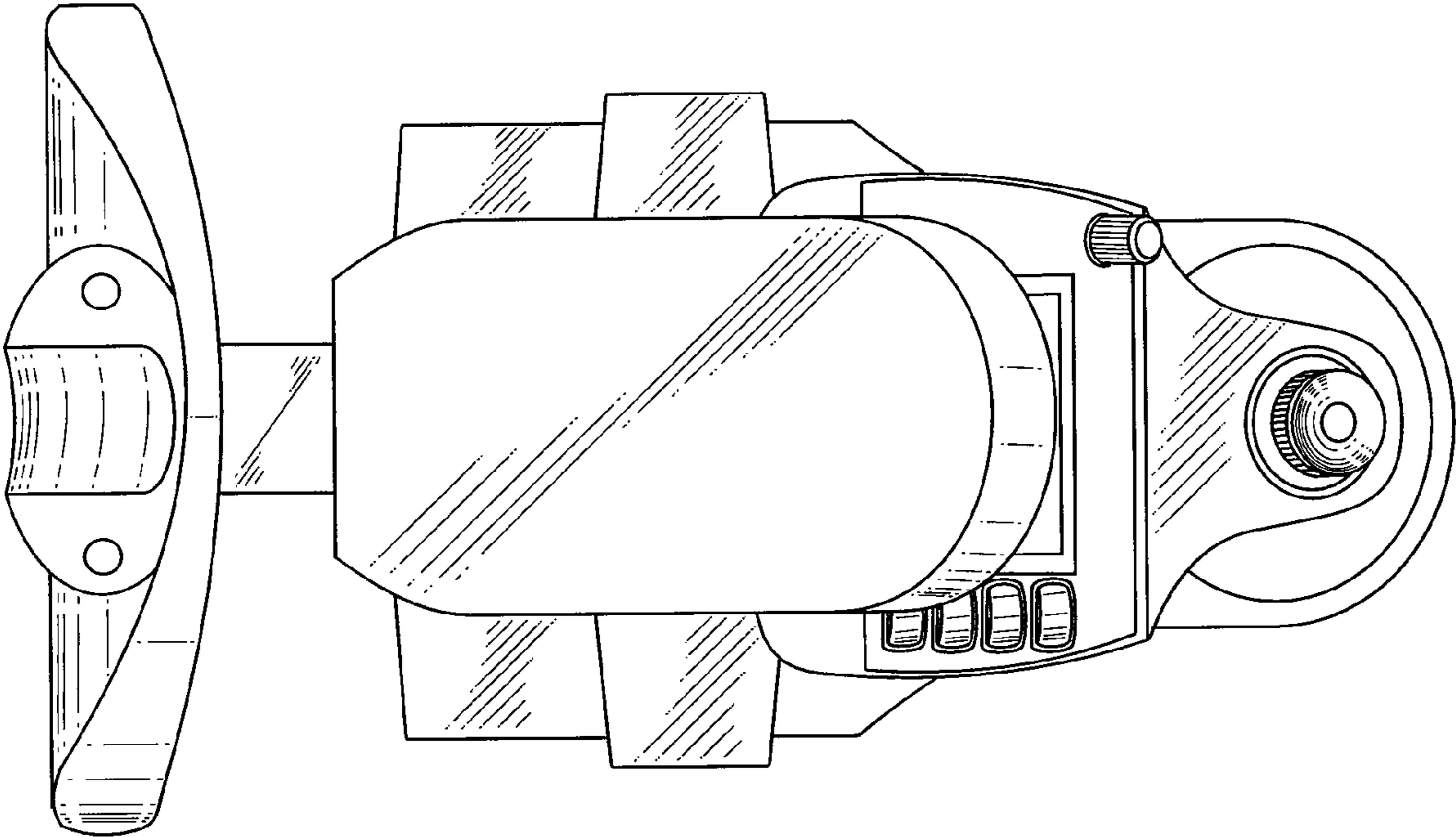


FIG. 6

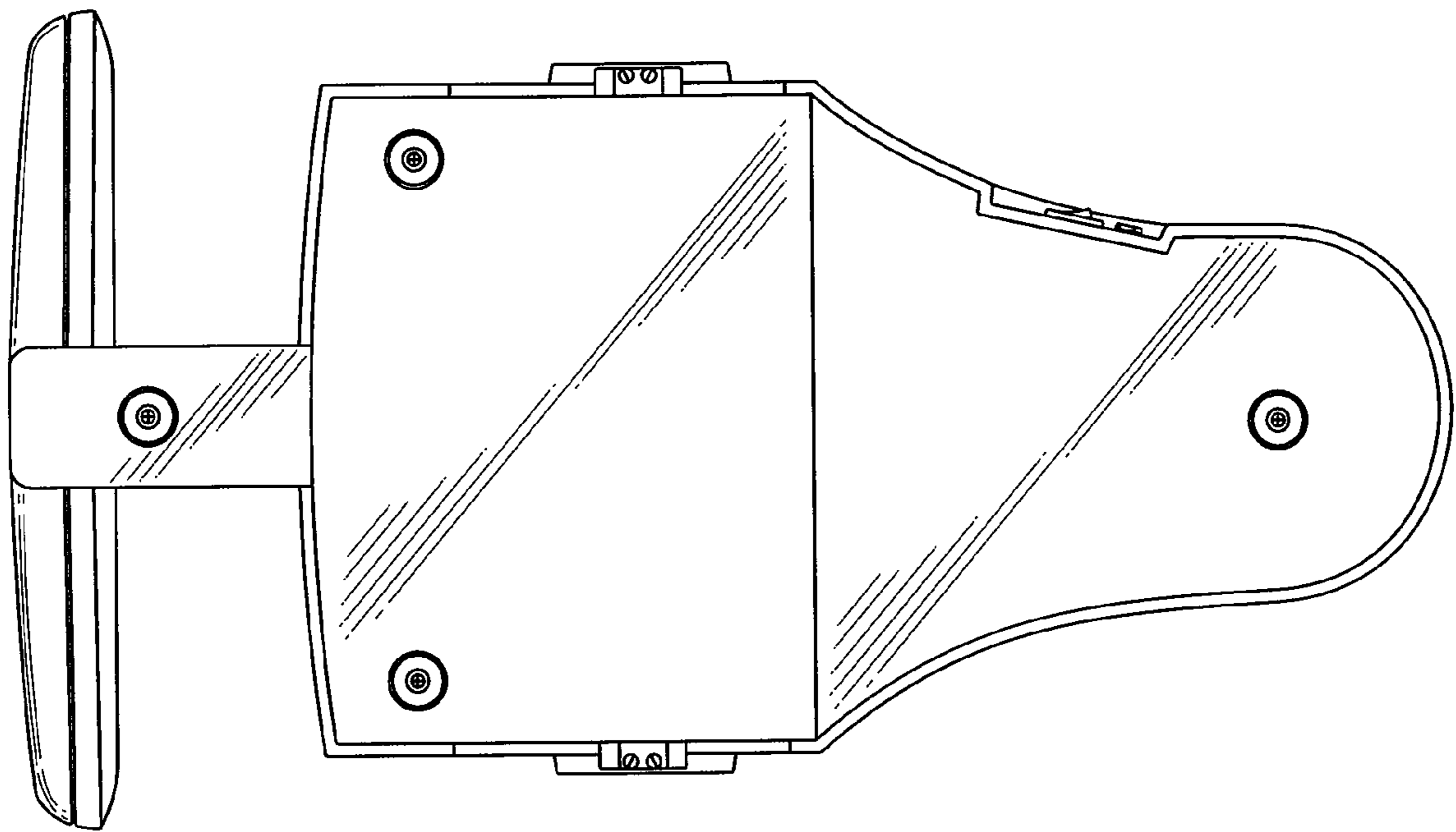


FIG. 7