

US00D589621S

(12) **United States Design Patent**  
**Ogiwara**

(10) **Patent No.:** **US D589,621 S**  
(45) **Date of Patent:** **\*\* Mar. 31, 2009**

(54) **PORTION OF AN X-RAY APPARATUS FOR MEDICAL TREATMENT**

JP 1124421 10/2001  
JP 1154586 9/2002  
JP 1249160 8/2005

(75) Inventor: **Susumu Ogiwara**, Kumagaya (JP)

**OTHER PUBLICATIONS**

(73) Assignees: **Kabushiki Kaisha Toshiba**, Tokyo (JP);  
**Toshiba Medical Systems Corporation**,  
Tochigi-ken (JP)

Extract of Nikkei Sangyo Shimbun Newspaper (DIGITEX Safire HC).

\* cited by examiner

(\*\*) Term: **14 Years**

*Primary Examiner*—T. Chase Nelson

*Assistant Examiner*—Anhdao Doan

(21) Appl. No.: **29/280,486**

(74) *Attorney, Agent, or Firm*—Banner & Witcoff, Ltd.

(22) Filed: **May 30, 2007**

(57) **CLAIM**

(30) **Foreign Application Priority Data**

Feb. 16, 2007 (JP) ..... 2007-003762

The ornamental design for a portion of an X-ray apparatus for medical treatment, as shown and described.

(51) **LOC (9) Cl.** ..... **24-01**

**DESCRIPTION**

(52) **U.S. Cl.** ..... **D24/158**

(58) **Field of Classification Search** ..... D24/158-161,  
D24/183, 186; 378/4, 15, 17, 19, 20, 21-27,  
378/195, 197, 198; 600/409, 410, 425, 476  
See application file for complete search history.

FIG. 1 is a front, top and left side perspective view of a portion of an X-ray apparatus for medical treatment, showing my new design;

FIG. 2 is a top plan view thereof;

FIG. 3 is a bottom plan view thereof;

FIG. 4 is a left side elevational view thereof;

FIG. 5 is a front elevational view thereof;

FIG. 6 is a right side elevational view thereof; and,

FIG. 7 is a rear elevational view thereof.

The broken lines in the drawings are included for the purpose of illustrating portions of the X-ray apparatus that form no part of the claimed design.

(56) **References Cited**

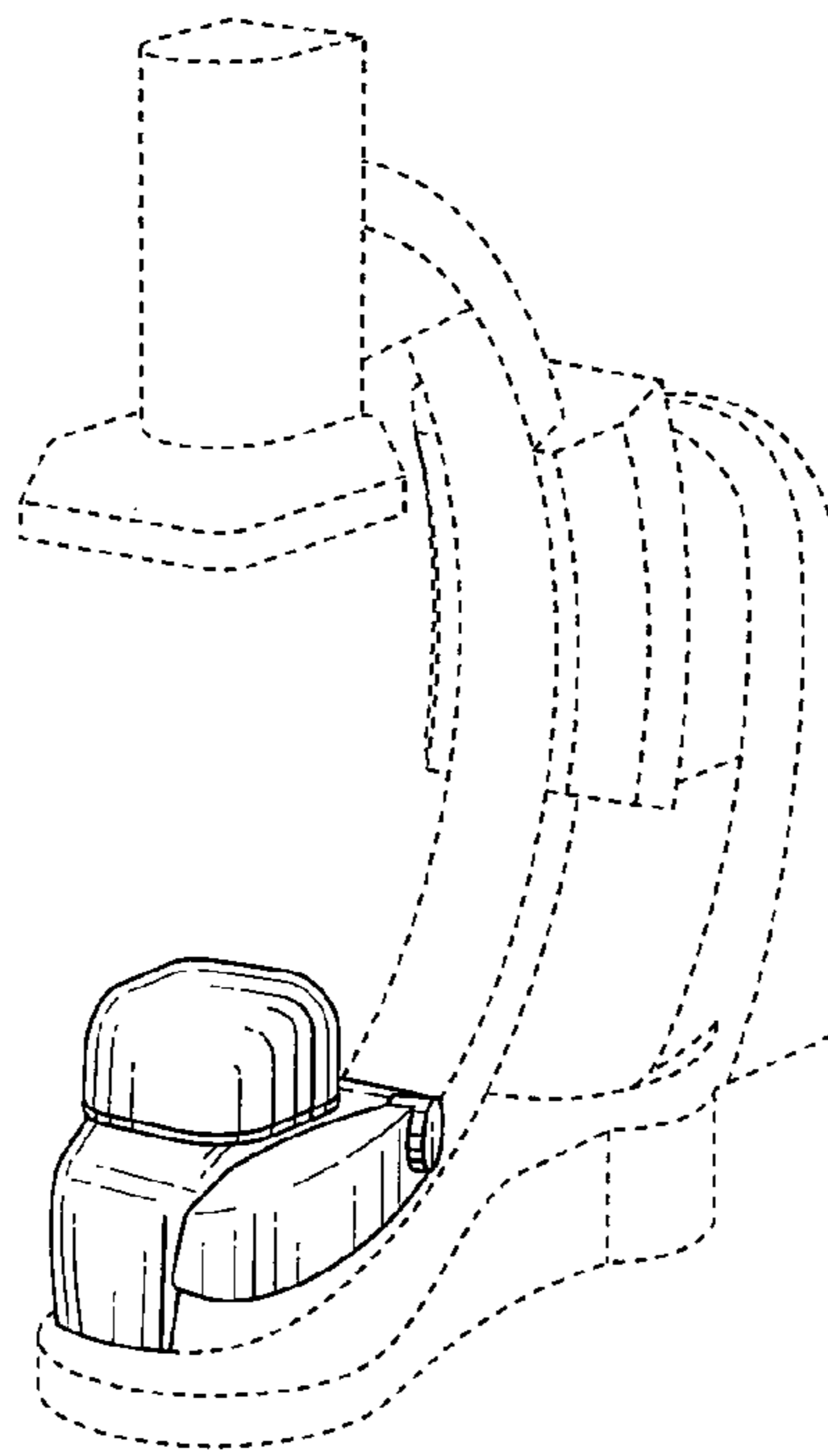
**U.S. PATENT DOCUMENTS**

D378,133 S \* 2/1997 Murakami et al. .... D24/158  
6,382,833 B2 \* 5/2002 Leandersson et al. .... 378/197  
D553,748 S \* 10/2007 Ogiwara ..... D24/158  
7,300,204 B2 \* 11/2007 Gotoh ..... 378/197  
D558,877 S \* 1/2008 Ogiwara ..... D24/158  
2007/0253539 A1 \* 11/2007 Noda et al. .... 378/197

**FOREIGN PATENT DOCUMENTS**

CN 200530041949.8 6/2006

**1 Claim, 3 Drawing Sheets**



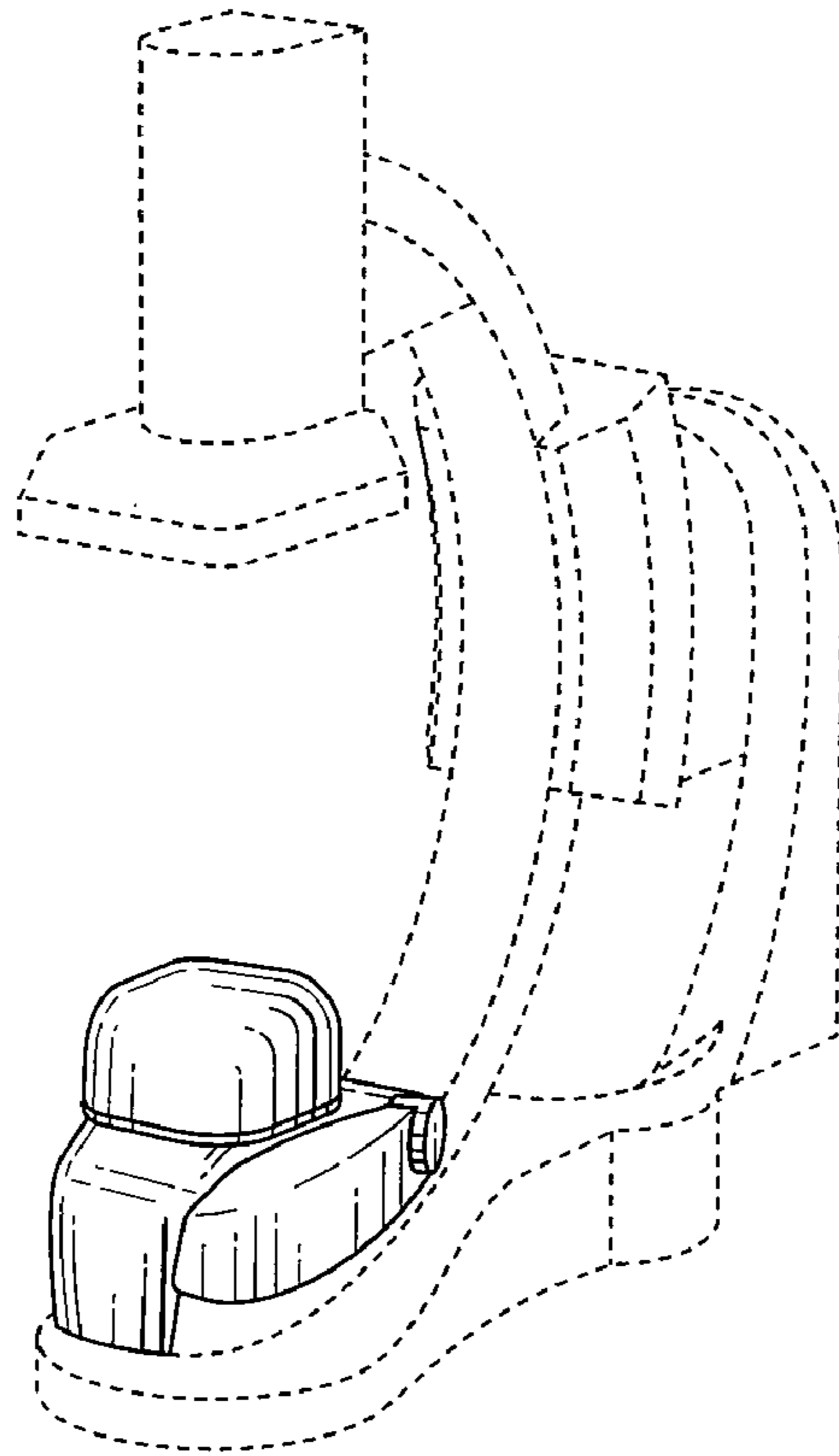


FIG. 1

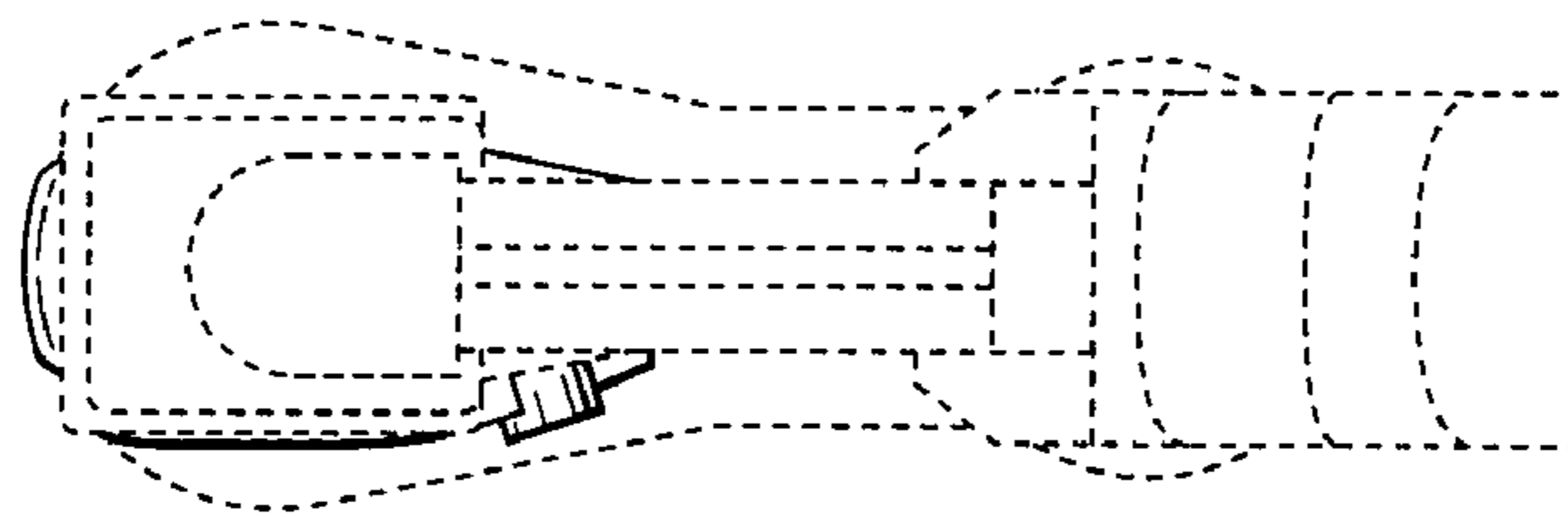


FIG. 2

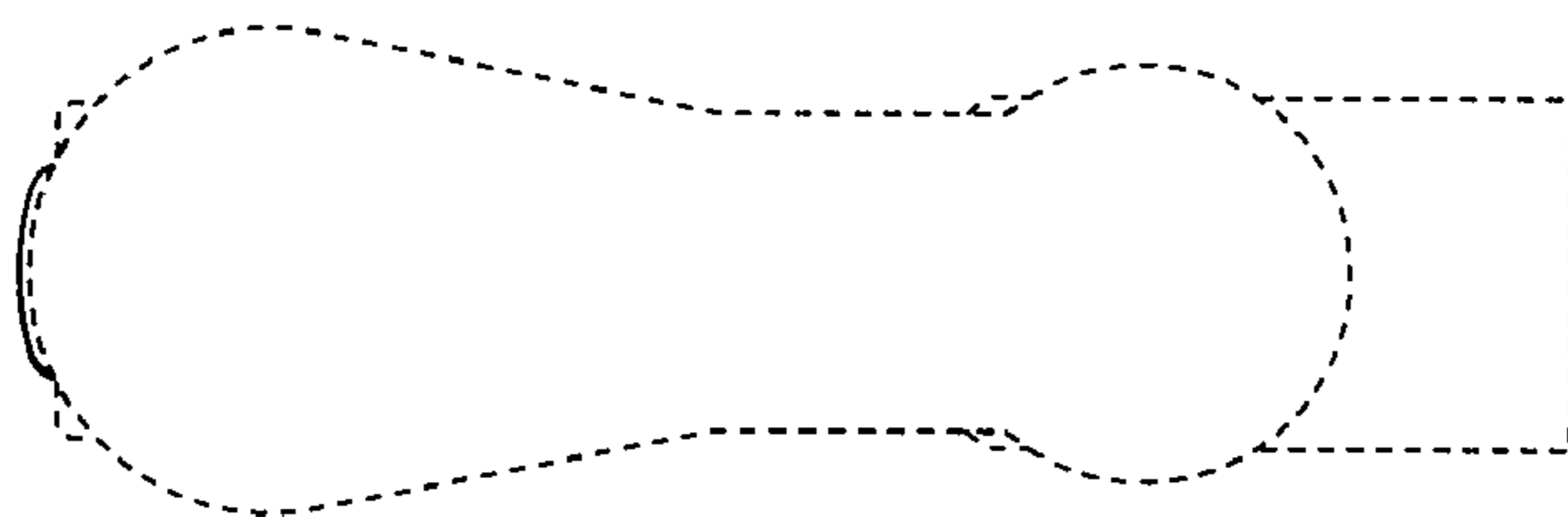


FIG. 3

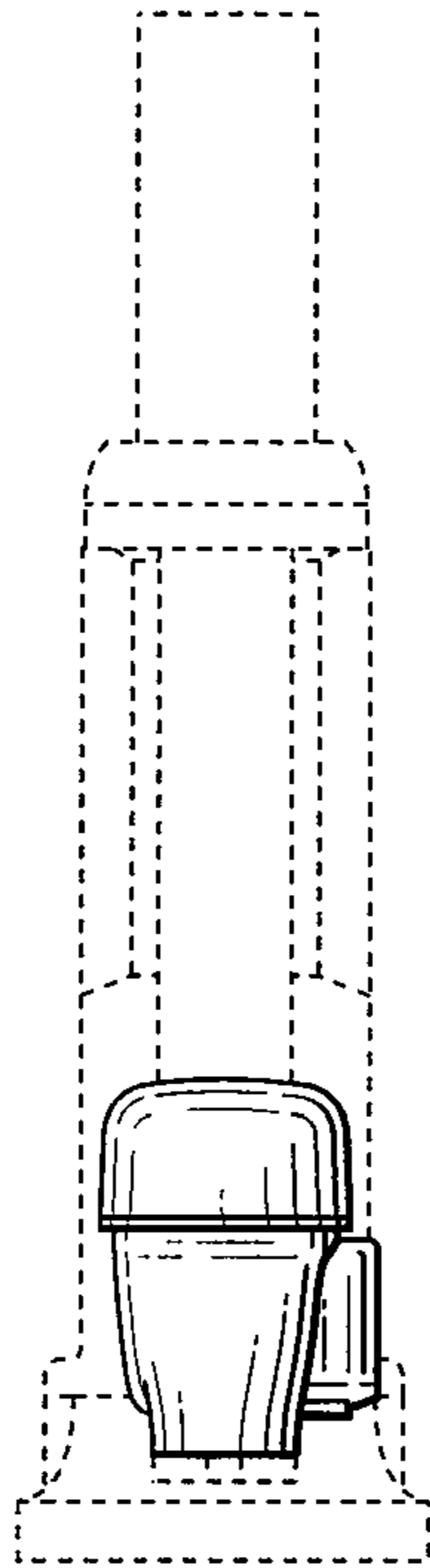


FIG. 4

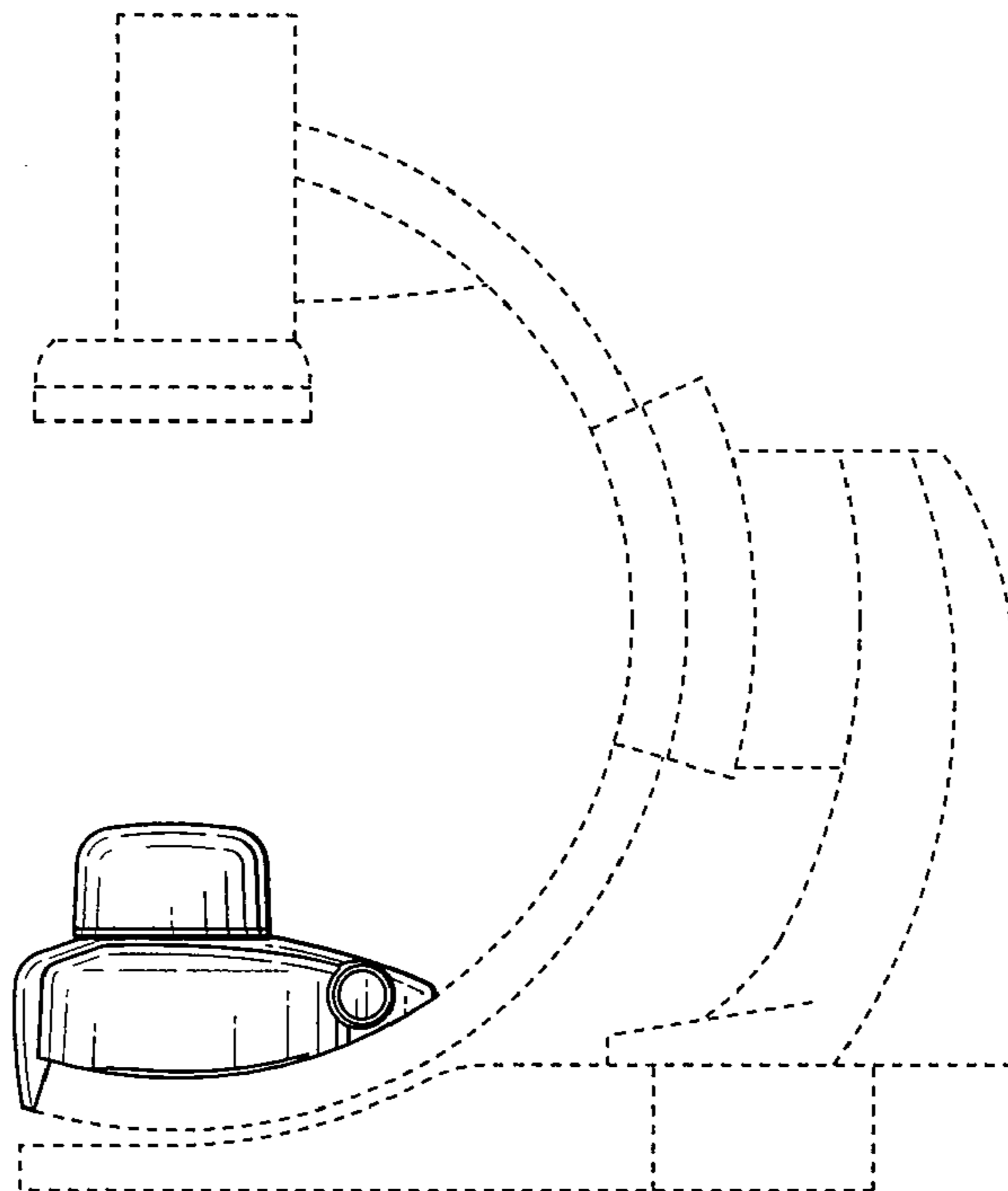


FIG. 5

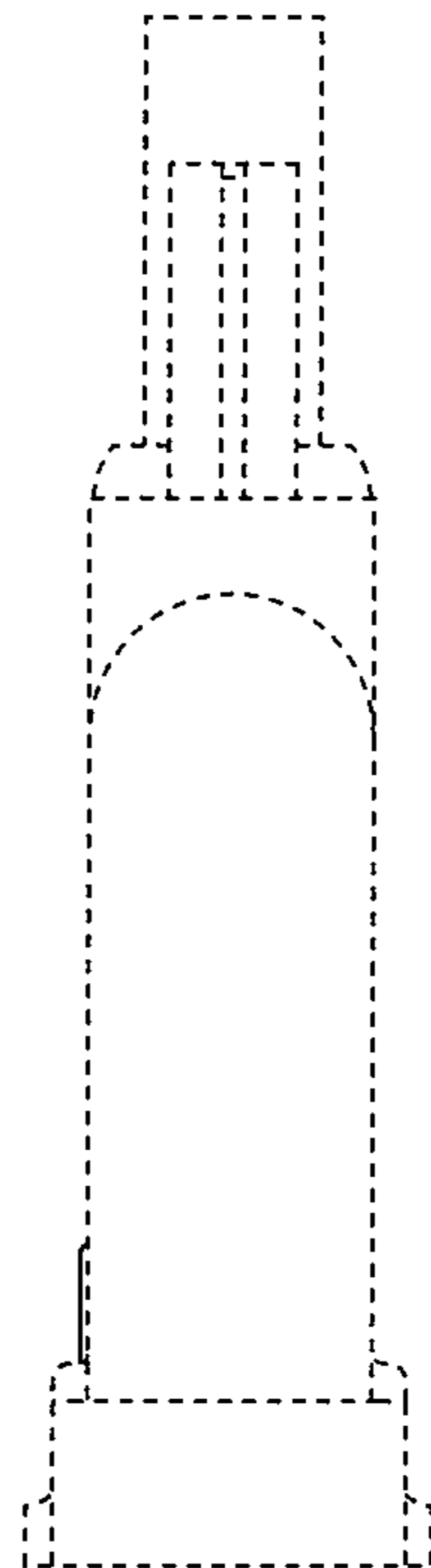


FIG. 6

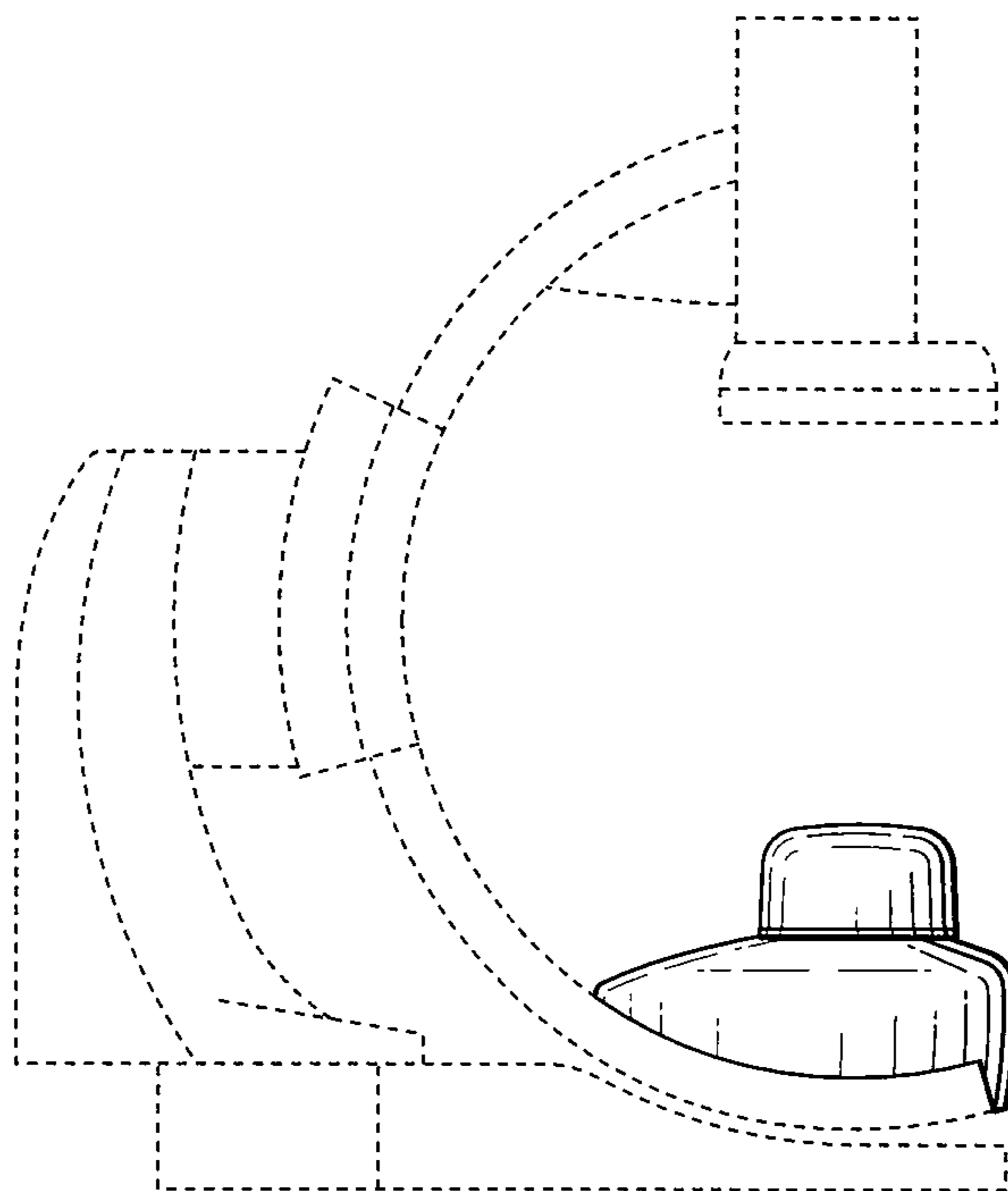


FIG. 7