



US00D589617S

(12) **United States Design Patent**
Carter

(10) **Patent No.:** **US D589,617 S**

(45) **Date of Patent:** **** Mar. 31, 2009**

(54) **CANNULA ASSEMBLY**

6,497,716 B1 * 12/2002 Green et al. 606/185
6,616,632 B2 * 9/2003 Sharp et al. 604/117

(75) Inventor: **Sally L. Carter**, Wallingford, CT (US)

* cited by examiner

(73) Assignee: **Tyco Healthcare Group LP**, North Haven, CT (US)

Primary Examiner—Ian Simmons
Assistant Examiner—Anna J Burmeister

(**) Term: **14 Years**

(57) **CLAIM**

(21) Appl. No.: **29/317,008**

The ornamental design for a cannula assembly, as shown and described.

(22) Filed: **Apr. 21, 2008**

(51) **LOC (9) Cl.** **24-02**

(52) **U.S. Cl.** **D24/146**

(58) **Field of Classification Search** D24/146,
D24/147, 112; 604/264, 164.01, 164.02,
604/192; 606/167, 184, 185

See application file for complete search history.

DESCRIPTION

FIG. 1 is a front perspective view of a cannula assembly, showing my new design;

FIG. 2 is a front elevation view of the cannula assembly of FIG. 1;

FIG. 3 is a rear elevation view of the cannula assembly of FIG. 1;

FIG. 4 is a right side elevation view of the cannula assembly of FIG. 1;

FIG. 5 is a left side elevation view of the cannula assembly of FIG. 1;

FIG. 6 is a top plan view of the cannula assembly of FIG. 1; and,

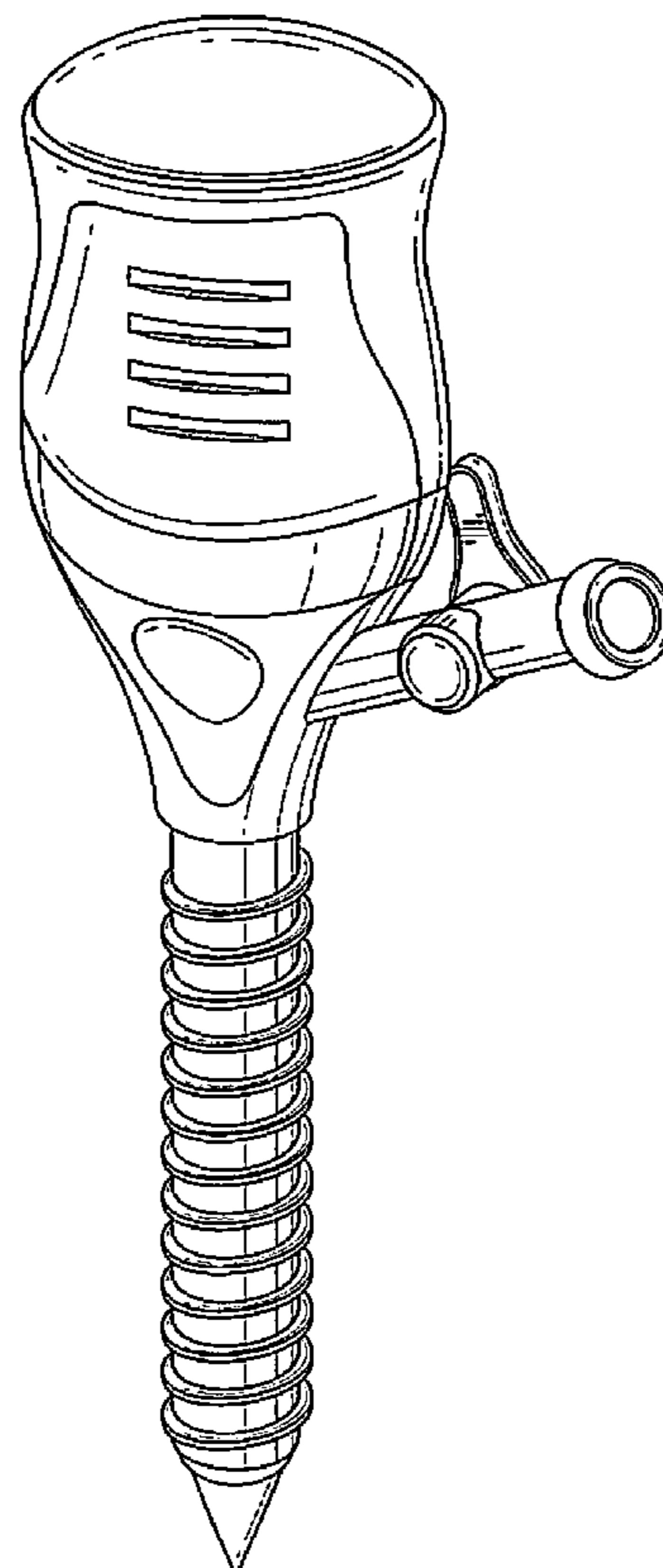
FIG. 7 is a bottom plan view of the cannula assembly of FIG. 1.

(56) **References Cited**

U.S. PATENT DOCUMENTS

5,364,372	A *	11/1994	Danks et al.	604/264
D358,209	S *	5/1995	Petruschke et al.	D24/146
5,423,848	A *	6/1995	Washizuka et al.	606/185
D362,066	S *	9/1995	Petruschke et al.	D24/146
5,531,758	A *	7/1996	Uschold et al.	606/185
5,697,947	A *	12/1997	Wolf et al.	606/185
5,722,962	A *	3/1998	Garcia	604/264
D426,635	S *	6/2000	Haberland et al.	D24/146
6,238,407	B1 *	5/2001	Wolf et al.	606/185
D449,887	S *	10/2001	Haberland et al.	D24/146

1 Claim, 6 Drawing Sheets



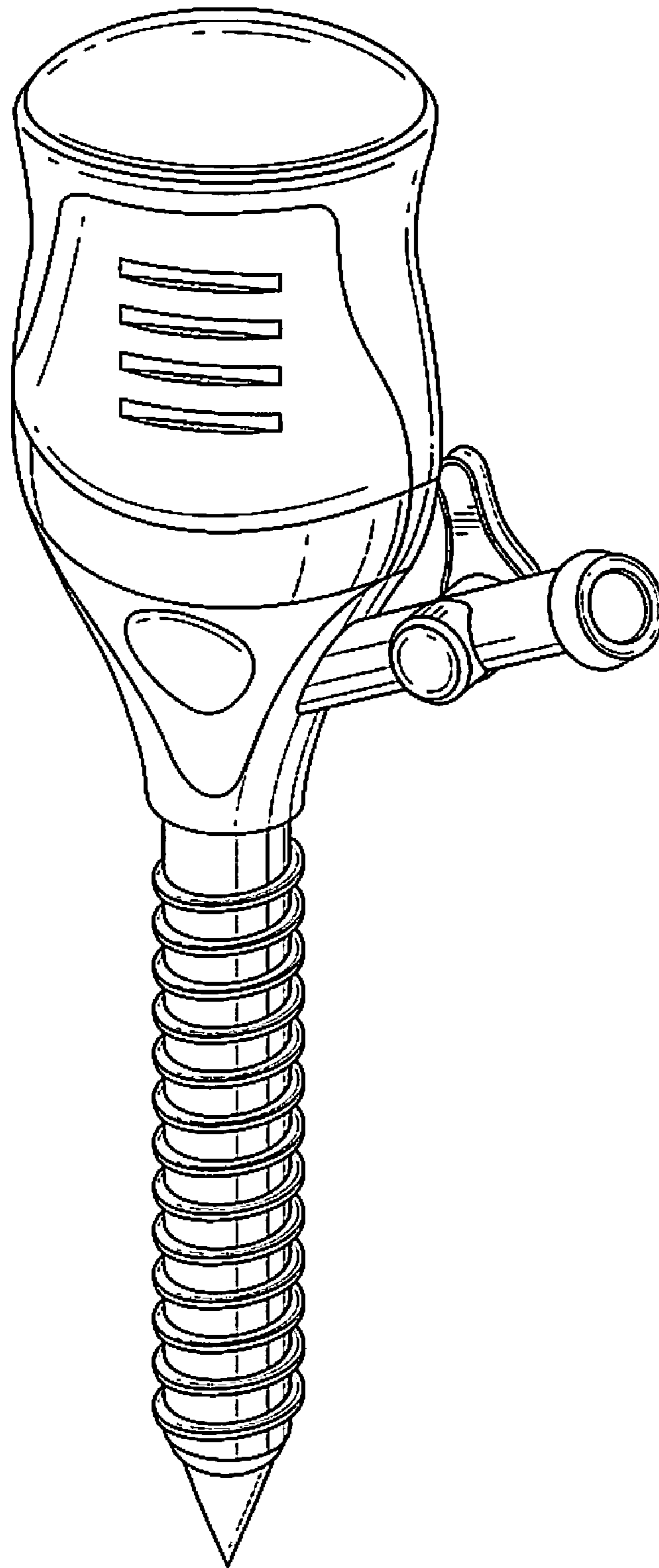


FIG. 1

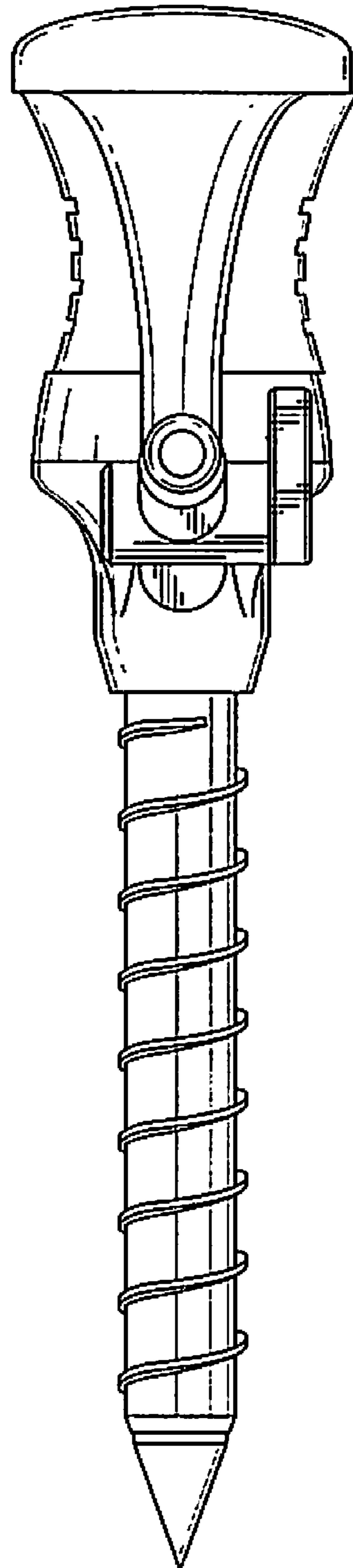


FIG. 2

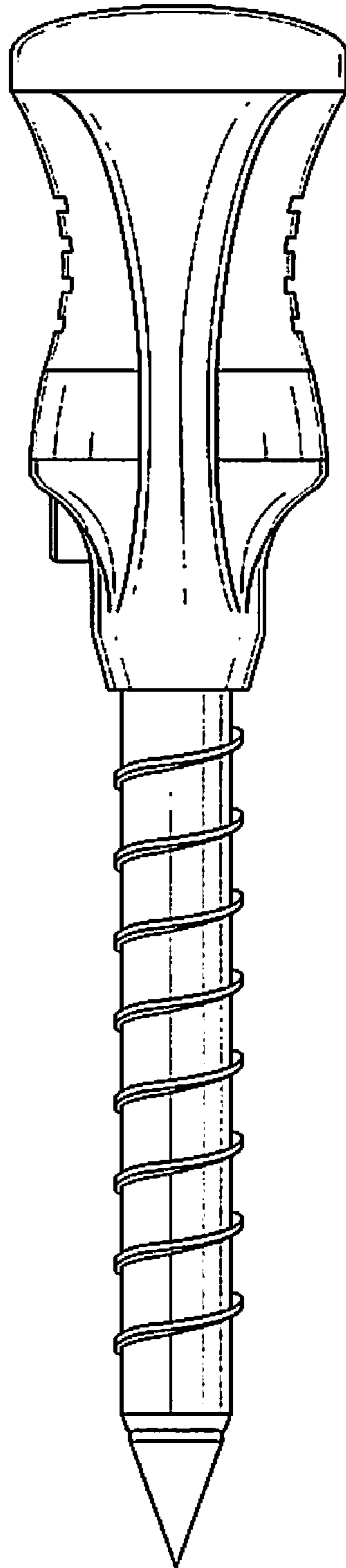


FIG. 3

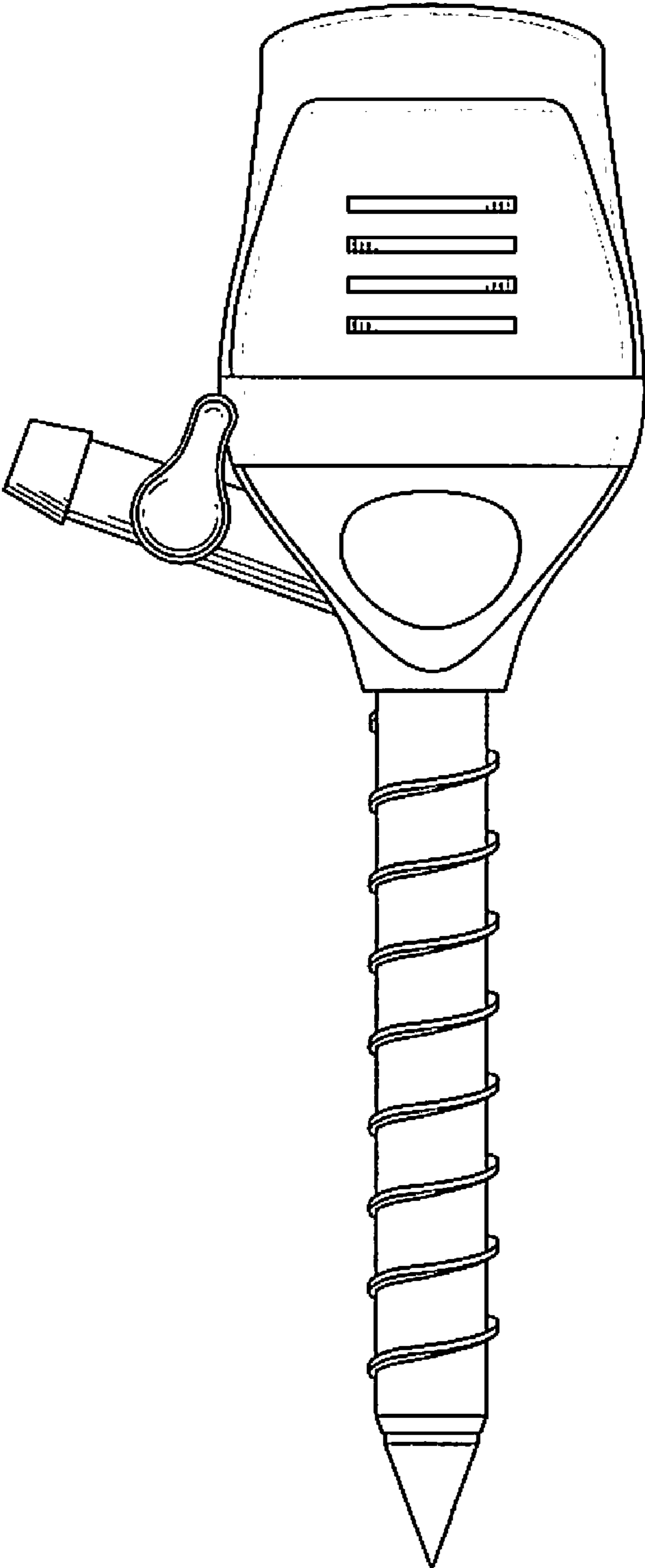


FIG. 4

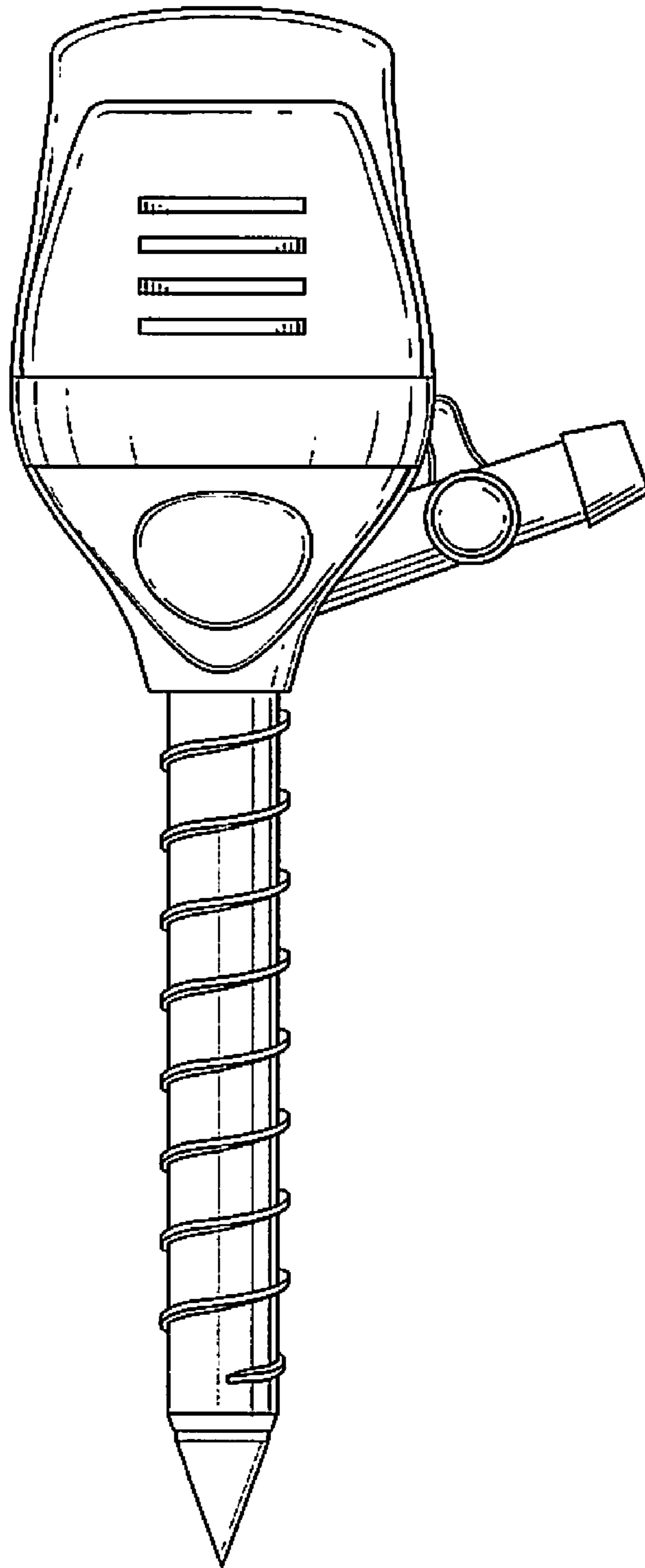


FIG. 5

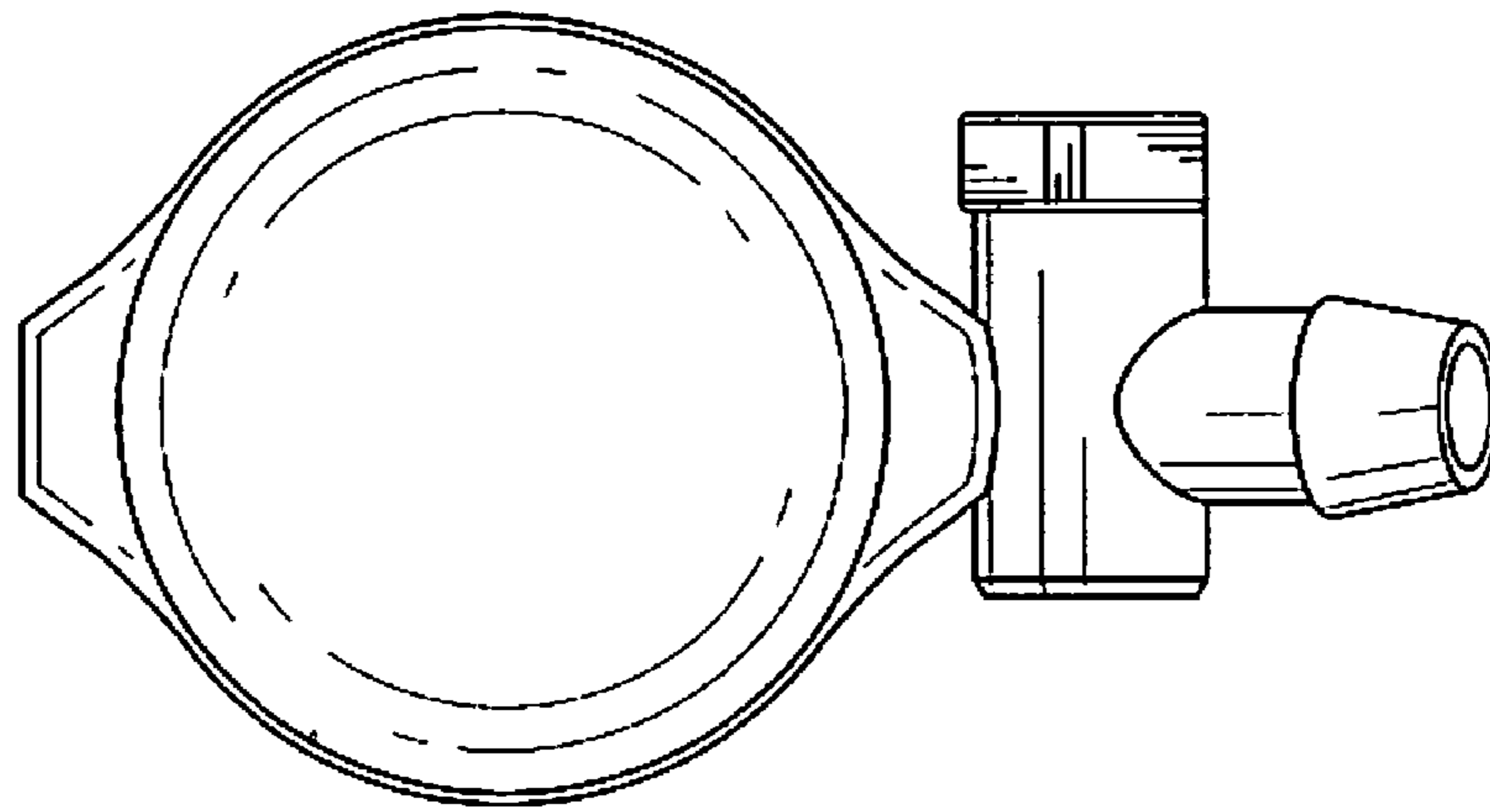


FIG. 6

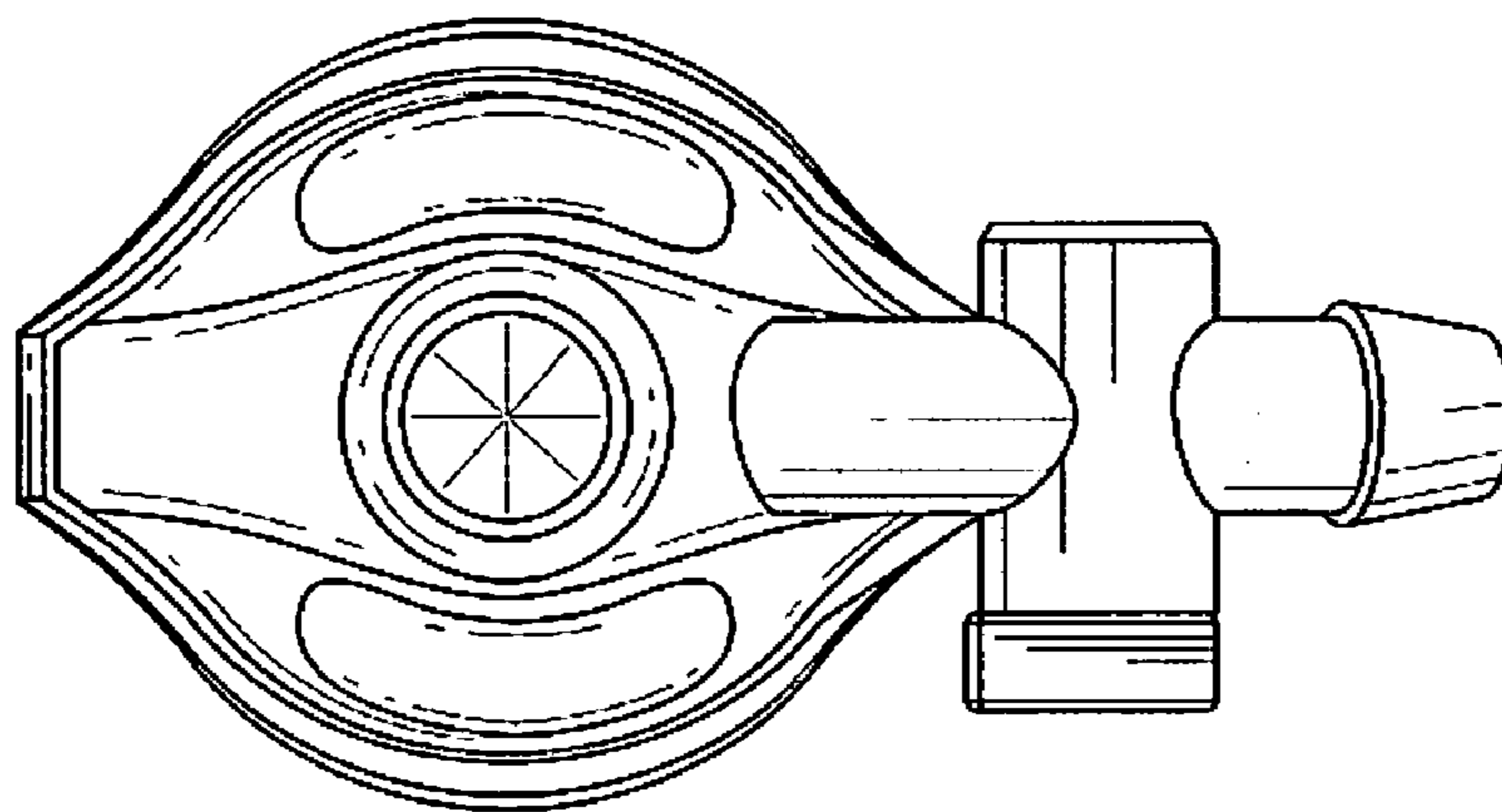


FIG. 7