



US00D589616S

(12) **United States Design Patent**
Carter

(10) **Patent No.:** **US D589,616 S**
(45) **Date of Patent:** **** Mar. 31, 2009**

(54) **CANNULA ASSEMBLY**

6,616,632 B2 * 9/2003 Sharp et al. 604/117

(75) Inventor: **Sally L. Carter**, Wallingford, CT (US)

* cited by examiner

(73) Assignee: **Tyco Healthcare Group LP**, North Haven, CT (US)

Primary Examiner—Ian Simmons
Assistant Examiner—Anna J Burmeister

(**) Term: **14 Years**

(57) **CLAIM**

(21) Appl. No.: **29/317,007**

The ornamental design for a cannula assembly, as shown and described.

(22) Filed: **Apr. 21, 2008**

DESCRIPTION

(51) **LOC (9) Cl.** **24-02**

FIG. 1 is a front perspective view of a cannula assembly, showing my new design;

(52) **U.S. Cl.** **D24/146**

FIG. 2 is a front elevation view of the cannula assembly of FIG. 1;

(58) **Field of Classification Search** D24/146,
D24/147, 112; 604/164.01, 164.02, 192,
604/264; 606/185, 167, 184

FIG. 3 is a rear elevation view of the cannula assembly of FIG. 1;

See application file for complete search history.

FIG. 4 is a right side elevation view of the cannula assembly of FIG. 1;

(56) **References Cited**

U.S. PATENT DOCUMENTS

5,364,372	A *	11/1994	Danks et al.	604/264
D358,209	S *	5/1995	Petruschke et al.	D24/146
5,423,848	A *	6/1995	Washizuka et al.	606/185
D362,066	S *	9/1995	Petruschke et al.	D24/146
5,531,758	A *	7/1996	Uschold et al.	606/185
5,697,947	A *	12/1997	Wolf et al.	606/185
5,722,962	A *	3/1998	Garcia	604/264
D426,635	S *	6/2000	Haberland et al.	D24/146
6,238,407	B1 *	5/2001	Wolf et al.	606/185
D449,887	S *	10/2001	Haberland et al.	D24/146
6,497,716	B1 *	12/2002	Green et al.	606/185

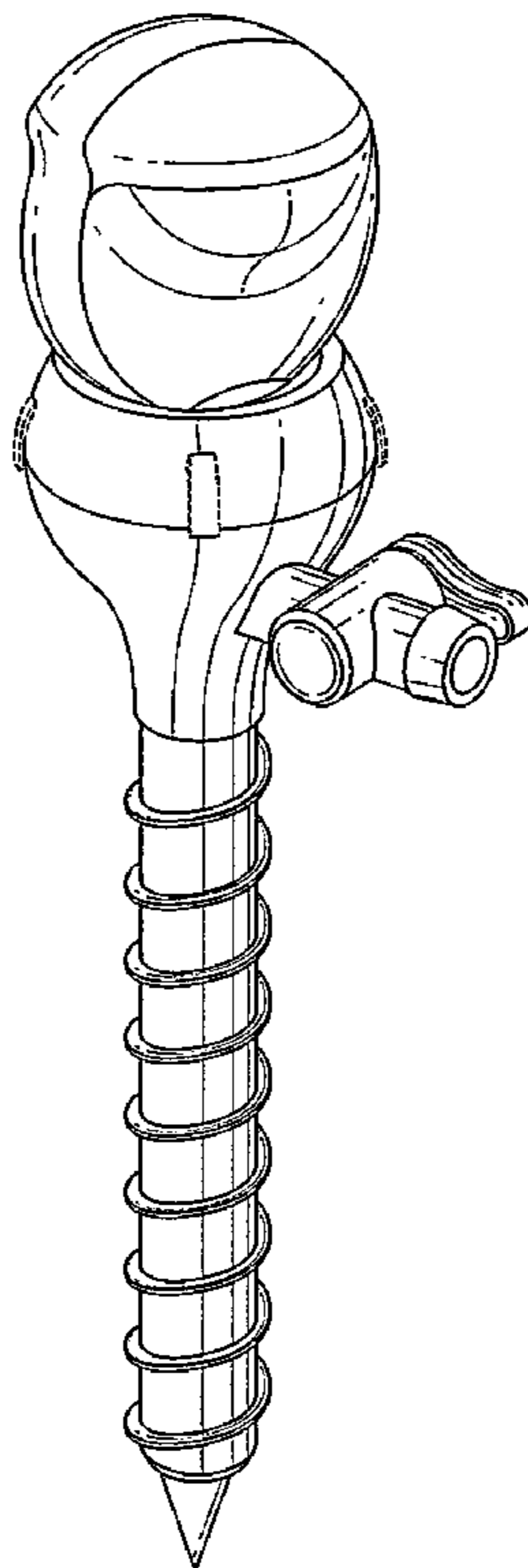
FIG. 5 is a left side elevation view of the cannula assembly of FIG. 1;

FIG. 6 is a top plan view of the cannula assembly of FIG. 1; and,

FIG. 7 is a bottom plan view of the cannula assembly of FIG. 1.

In FIGS. 1–7, the features of the cannula assembly shown in phantom lines are for illustrative purposes only and do not constitute a part of the claimed design.

1 Claim, 6 Drawing Sheets



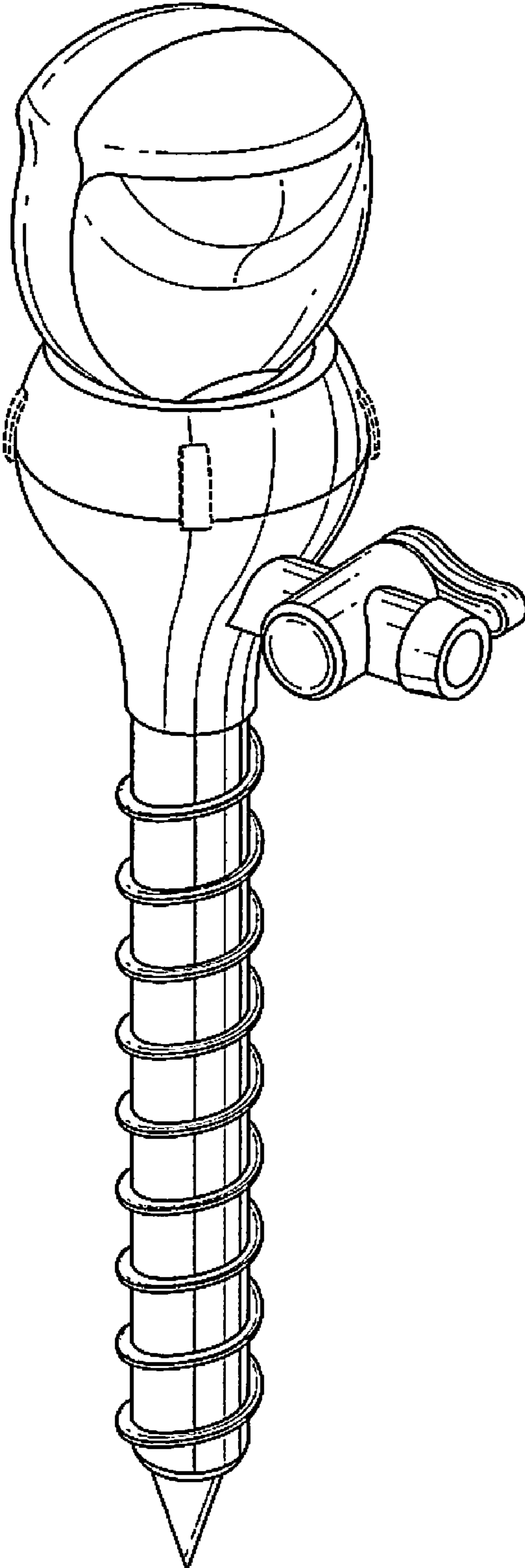


FIG. 1

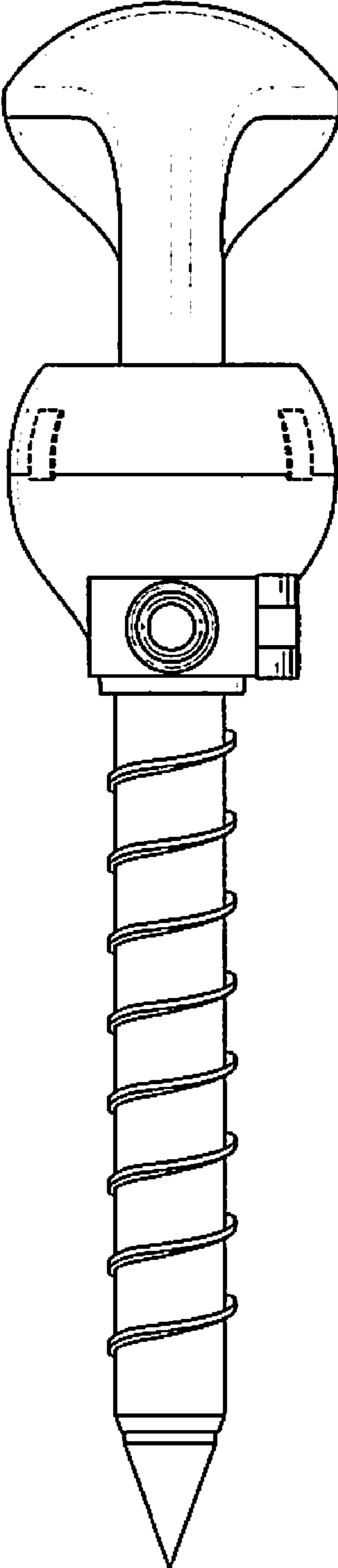


FIG. 2

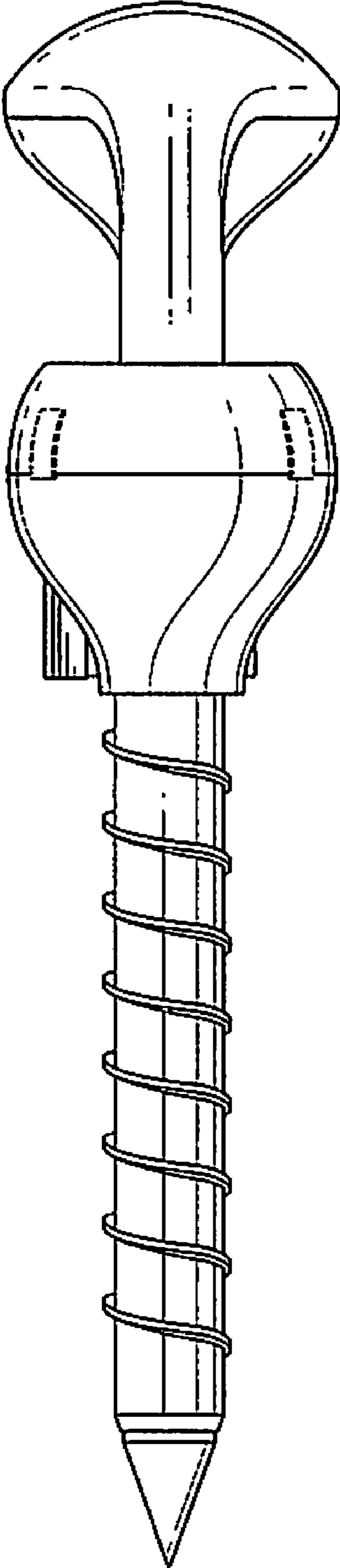


FIG. 3

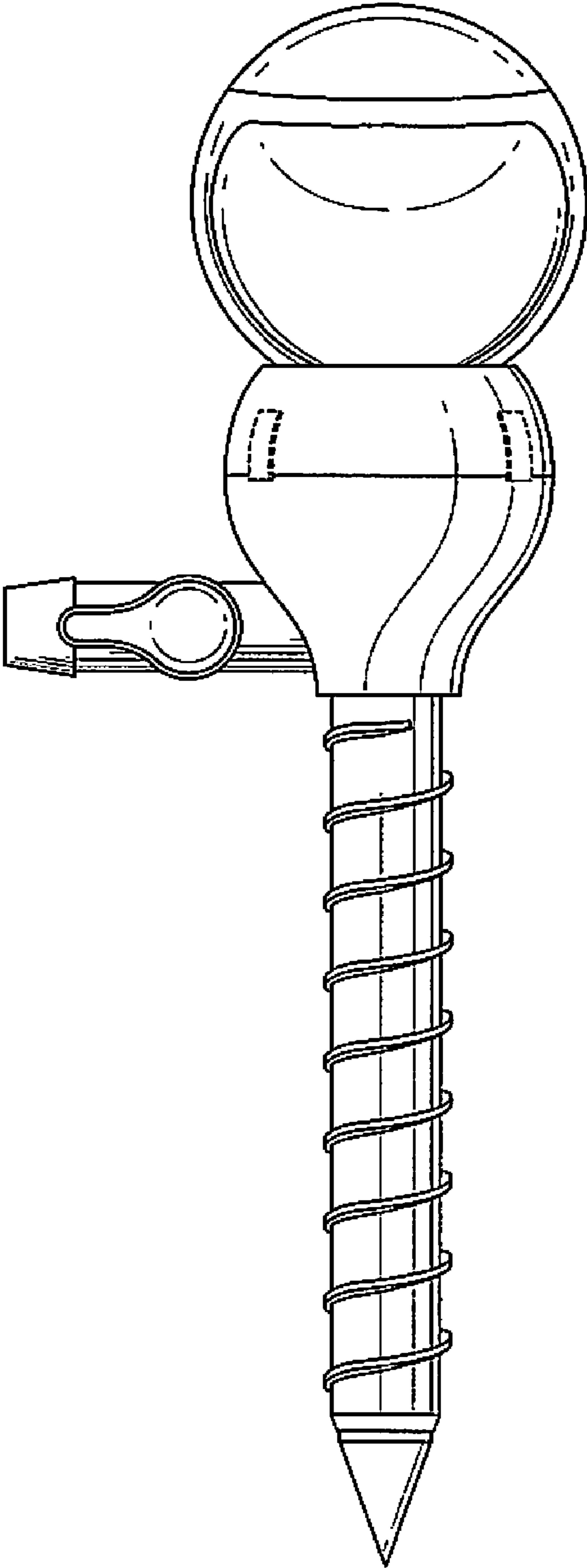


FIG. 4

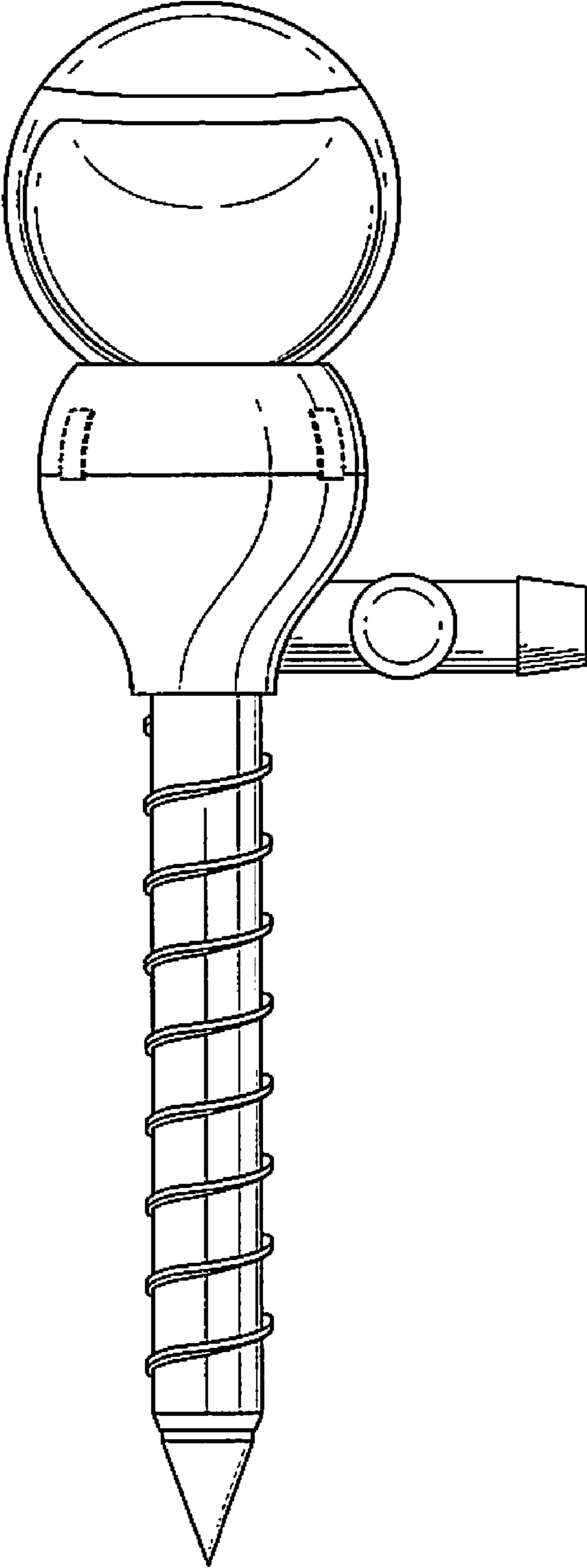


FIG. 5

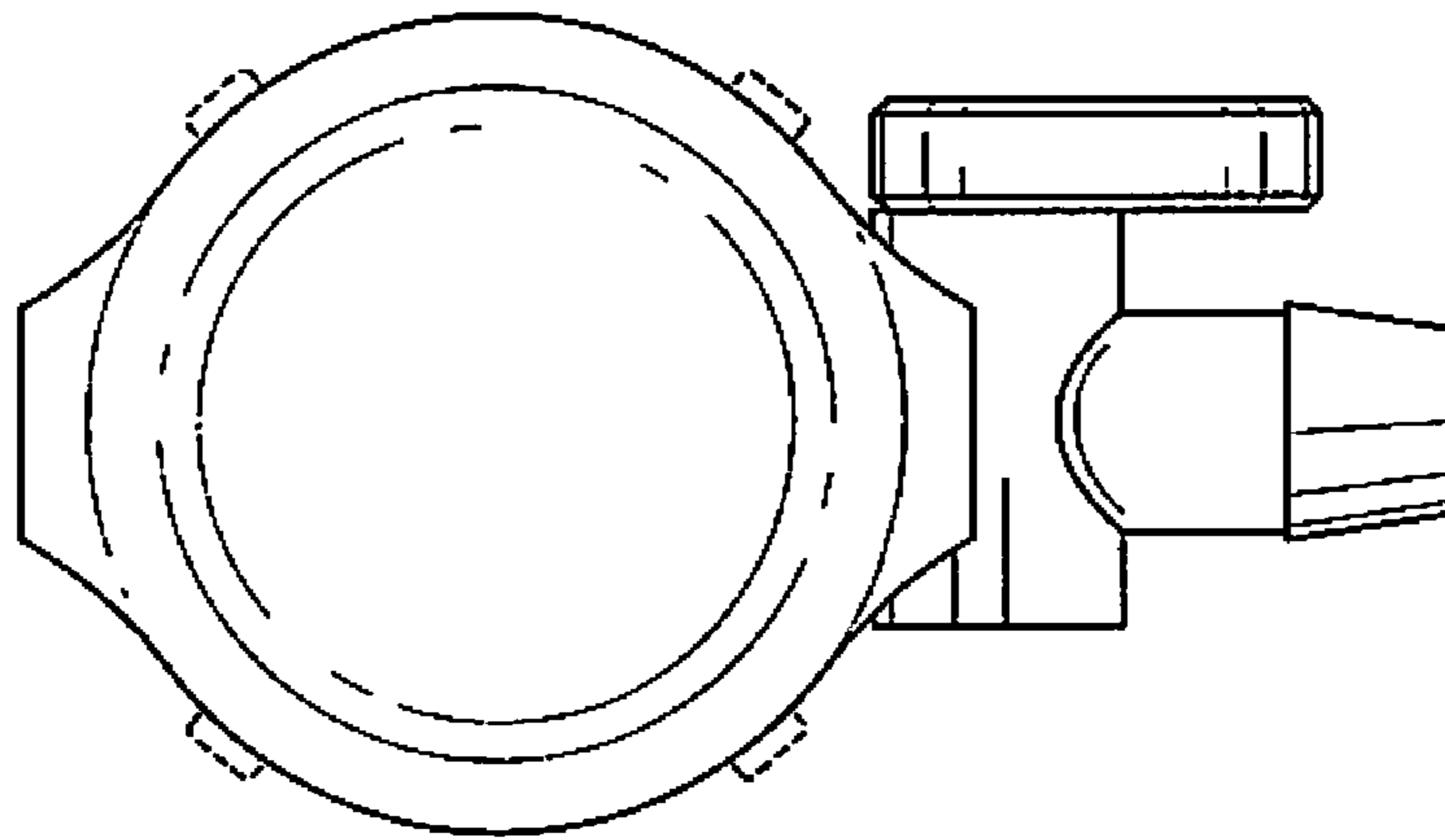


FIG. 6

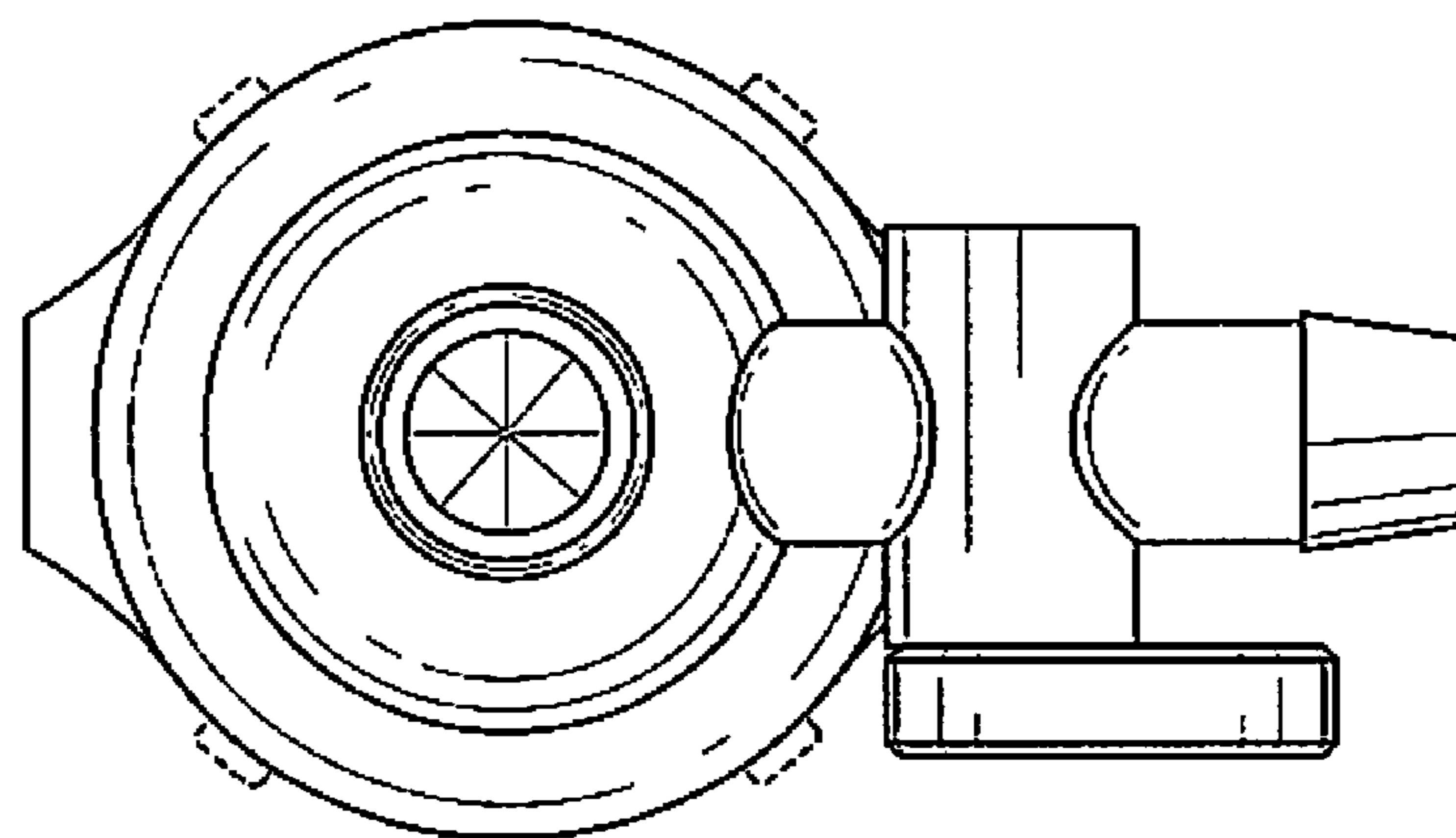


FIG. 7