



US00D589610S

(12) **United States Design Patent**
Dubose, Jr.

(10) **Patent No.:** **US D589,610 S**
(45) **Date of Patent:** **** Mar. 31, 2009**

(54) **MALE URINARY INCONTINENCE DEVICE**

(76) **Inventor:** **Elby R. Dubose, Jr.**, 3600 Sandy Bay Rd., Kingstree, SC (US) 29556

(**) **Term:** **14 Years**

(21) **Appl. No.:** **29/308,721**

(22) **Filed:** **Jul. 2, 2008**

(51) **LOC (9) Cl.** **24-04**

(52) **U.S. Cl.** **D24/124**

(58) **Field of Classification Search** D24/124-125;
604/346, 347, 349, 358, 384, 385.1, 386,
604/387, 389, 390

See application file for complete search history.

(56) **References Cited**

U.S. PATENT DOCUMENTS

2,445,220	A	7/1948	Isaacson	
2,604,092	A	7/1952	Brown et al.	
2,864,369	A	12/1958	Morrow	
4,187,851	A	2/1980	Hauser	
4,197,849	A	4/1980	Bostick	
4,378,018	A	3/1983	Alexander et al.	
D271,800	S	12/1983	Brendling	
4,668,229	A	5/1987	Fago et al.	
4,795,450	A	1/1989	Tovar et al.	
5,207,233	A *	5/1993	Barnes	128/842
5,843,065	A	12/1998	Wyant	
D412,031	S	7/1999	Oscarsson	
5,927,282	A	7/1999	Lenker et al.	
D432,233	S *	10/2000	Stasi et al.	D24/124
6,131,575	A	10/2000	Lenker et al.	
6,461,340	B1	10/2002	Lenker et al.	
D473,303	S *	4/2003	Harriz et al.	D24/125

D473,304 S * 4/2003 Harriz et al. D24/125
2002/0188265 A1 * 12/2002 Law 604/368

* cited by examiner

Primary Examiner—Holly H Baynham

Assistant Examiner—Michelle E Wilson

(74) *Attorney, Agent, or Firm*—P. Jeff Martin; The McGougan Law Firm, LLC

(57) **CLAIM**

The ornamental design for a male urinary incontinence device, as shown and described.

DESCRIPTION

FIG. 1 is a perspective view of a male urinary incontinence device showing my new design;

FIG. 2 is a perspective view of the male urinary incontinence device of FIG. 1 shown in an alternative condition;

FIG. 3 is a front view of the male urinary incontinence device of FIG. 1;

FIG. 4 is a rear view of the male urinary incontinence device of FIG. 1;

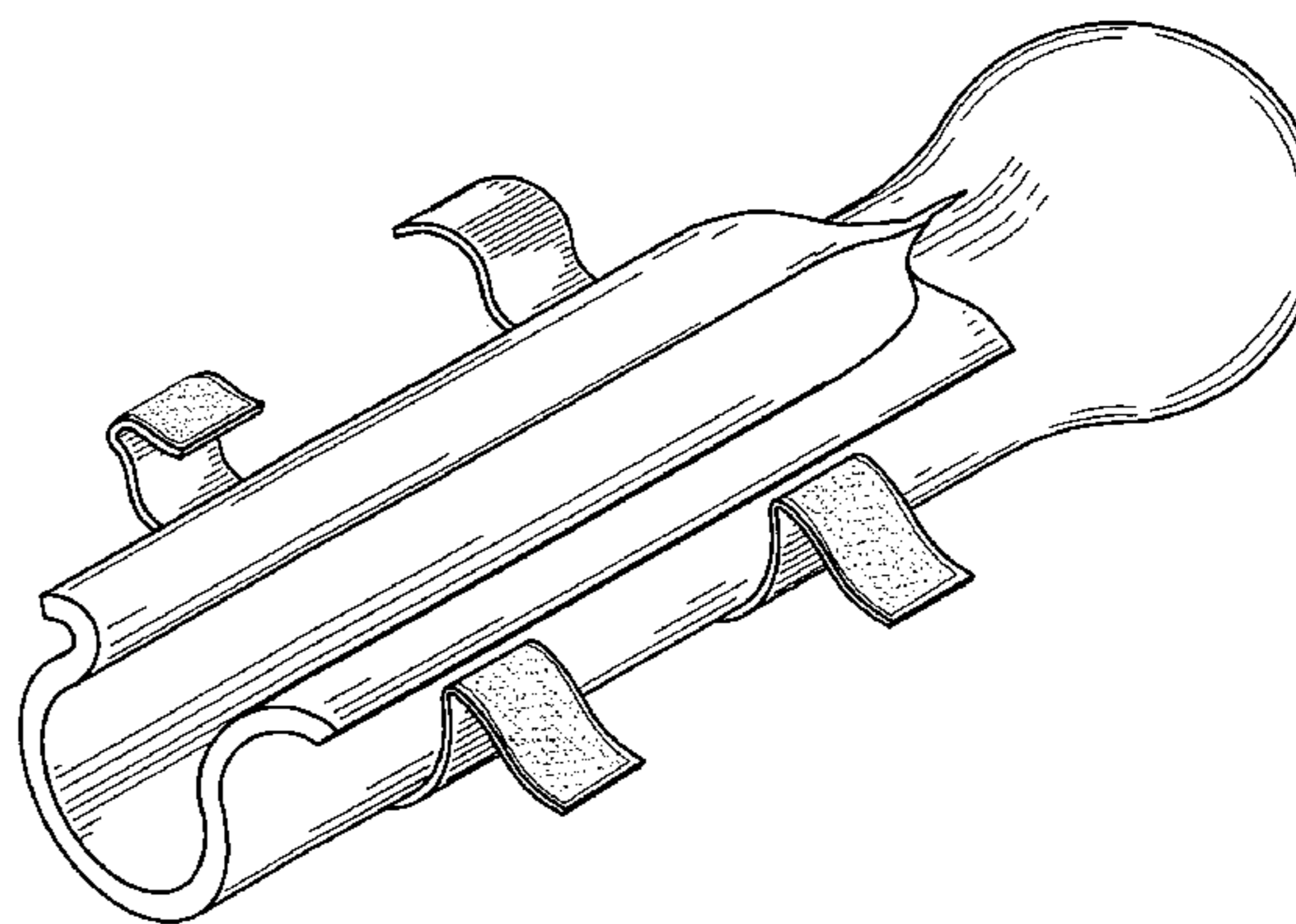
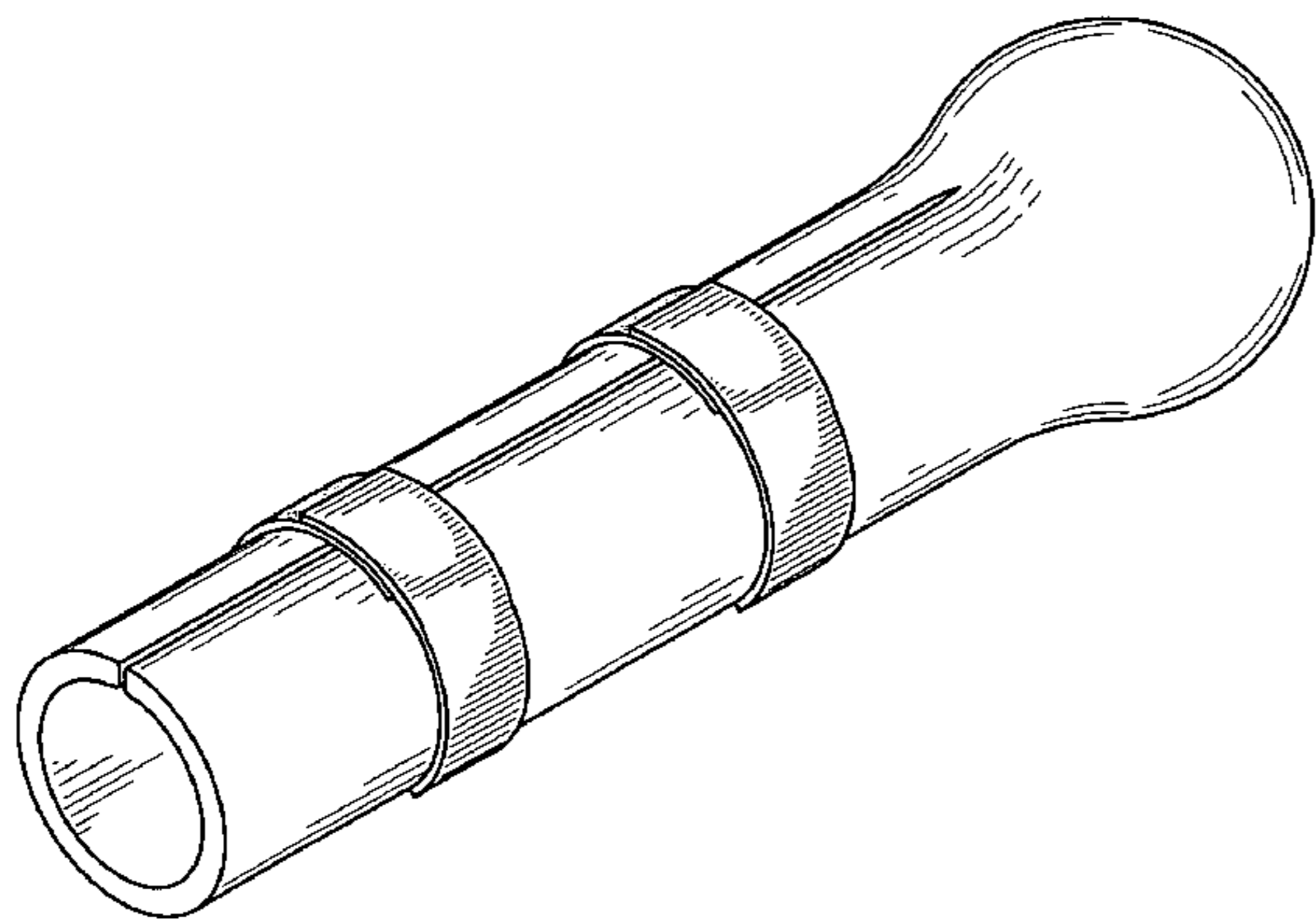
FIG. 5 is a right side view of the male urinary incontinence device of FIG. 1;

FIG. 6 is a left side view of the male urinary incontinence device of FIG. 1;

FIG. 7 is a top plan view of the male urinary incontinence device of FIG. 1; and,

FIG. 8 is a bottom plan view of the male urinary incontinence device of FIG. 1.

1 Claim, 3 Drawing Sheets



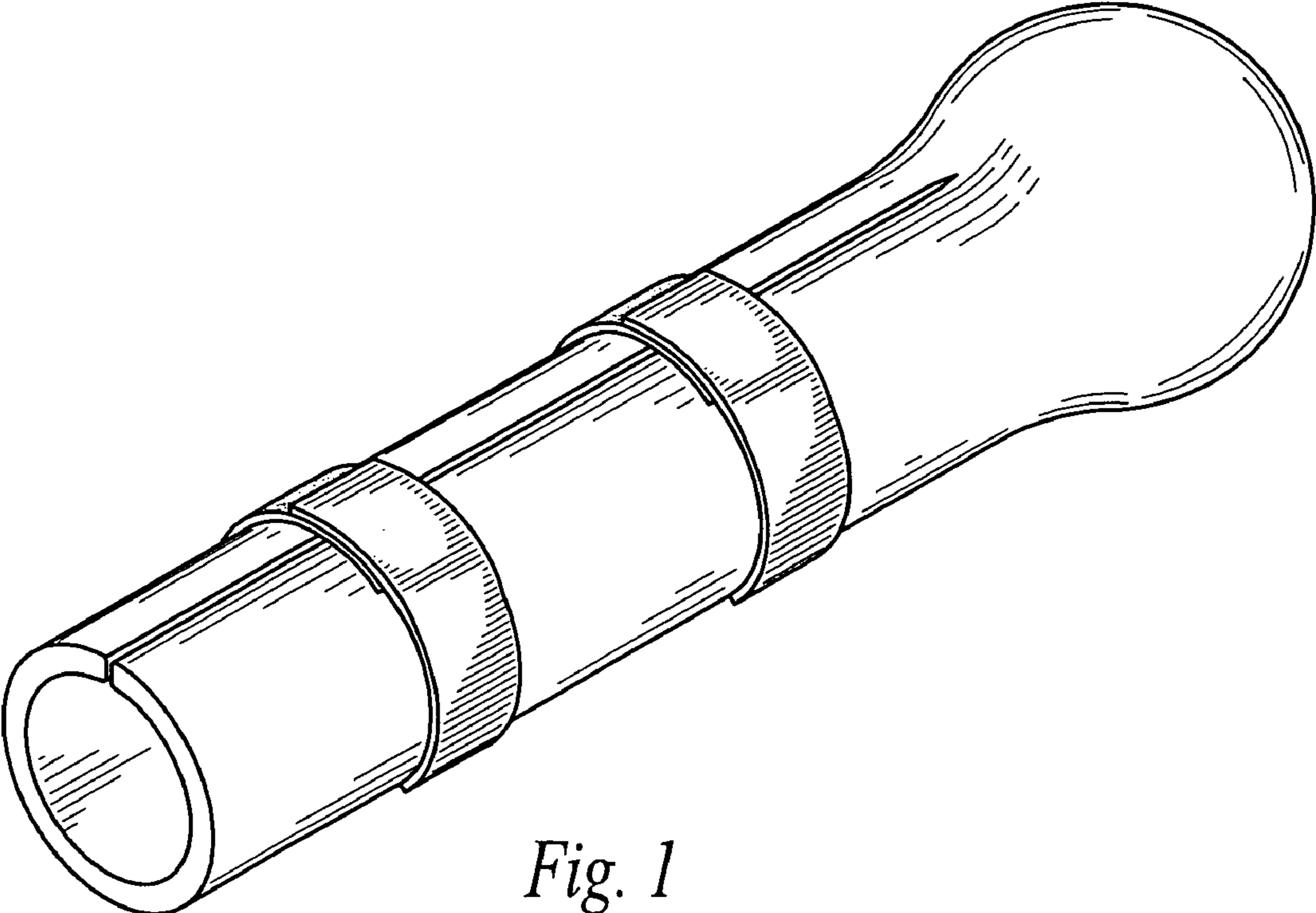


Fig. 1

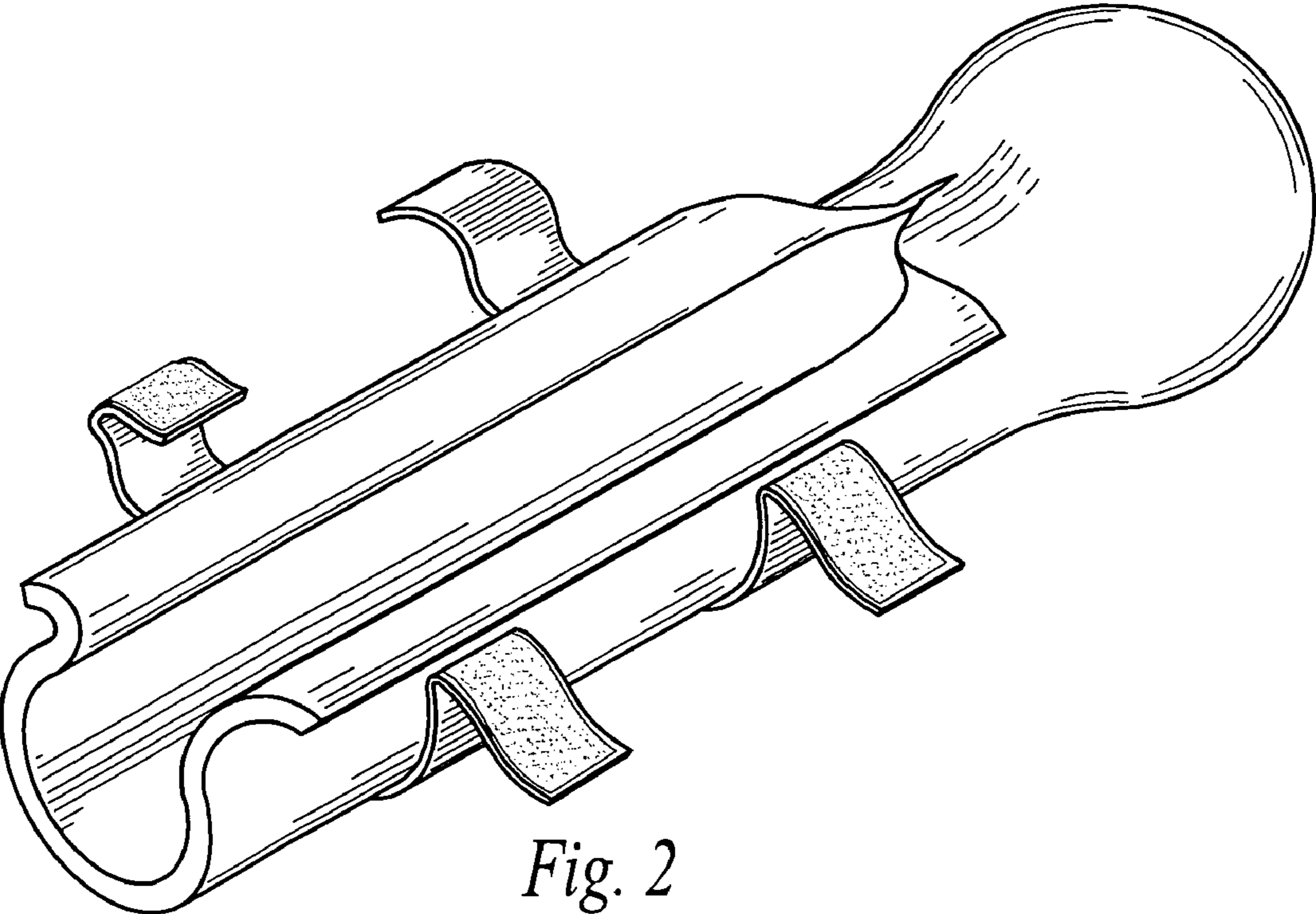


Fig. 2

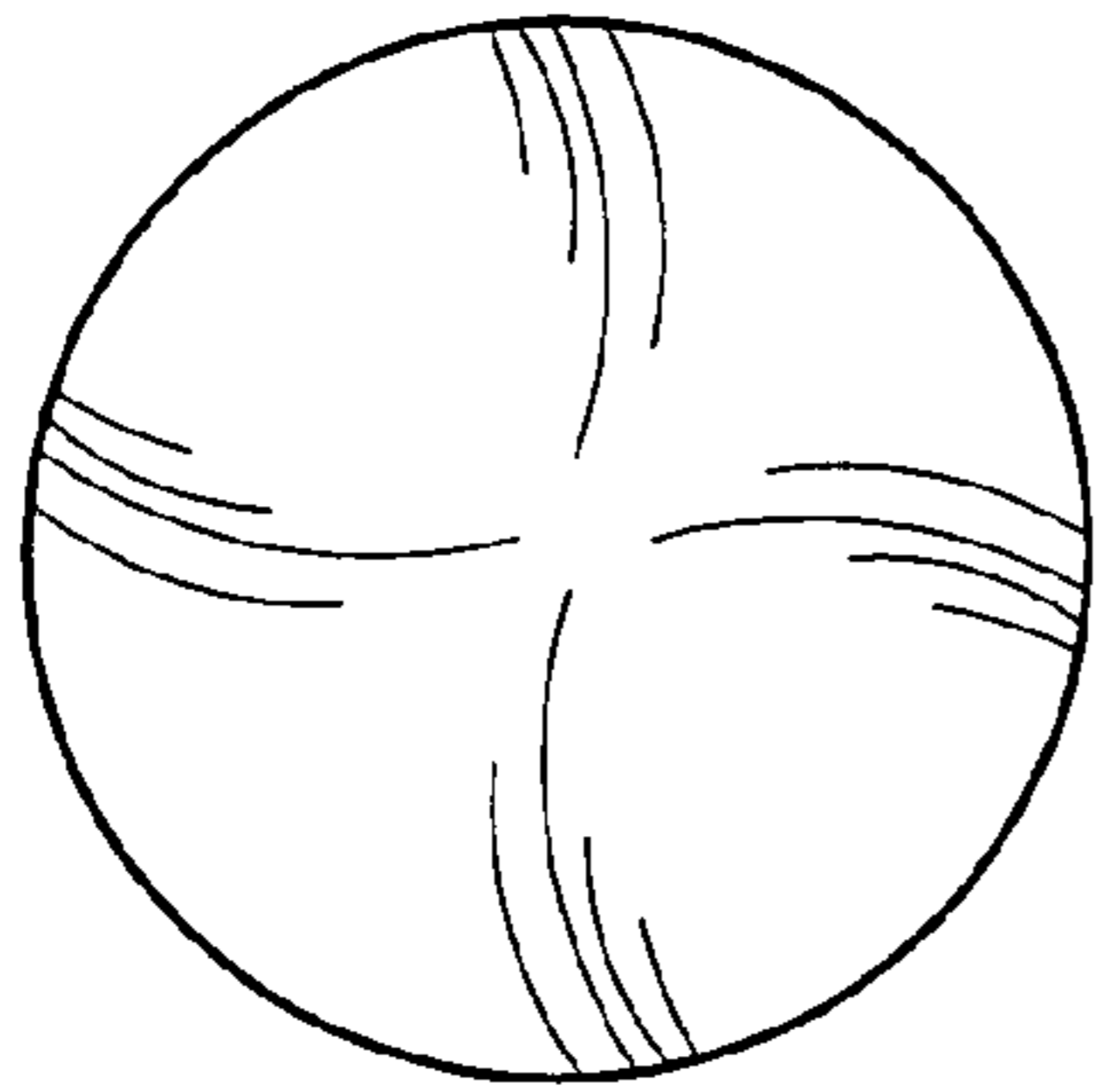


Fig. 3

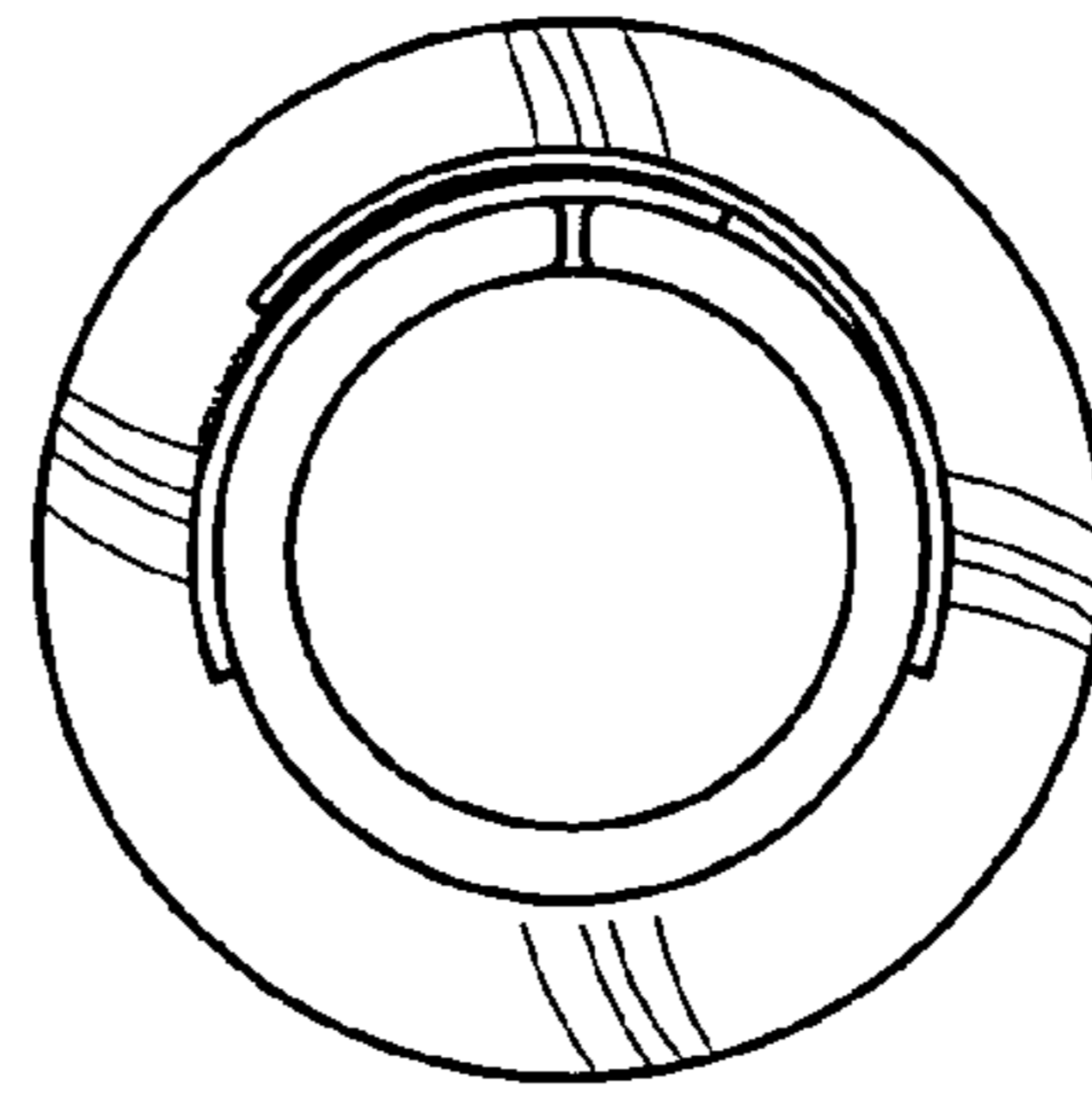


Fig. 4

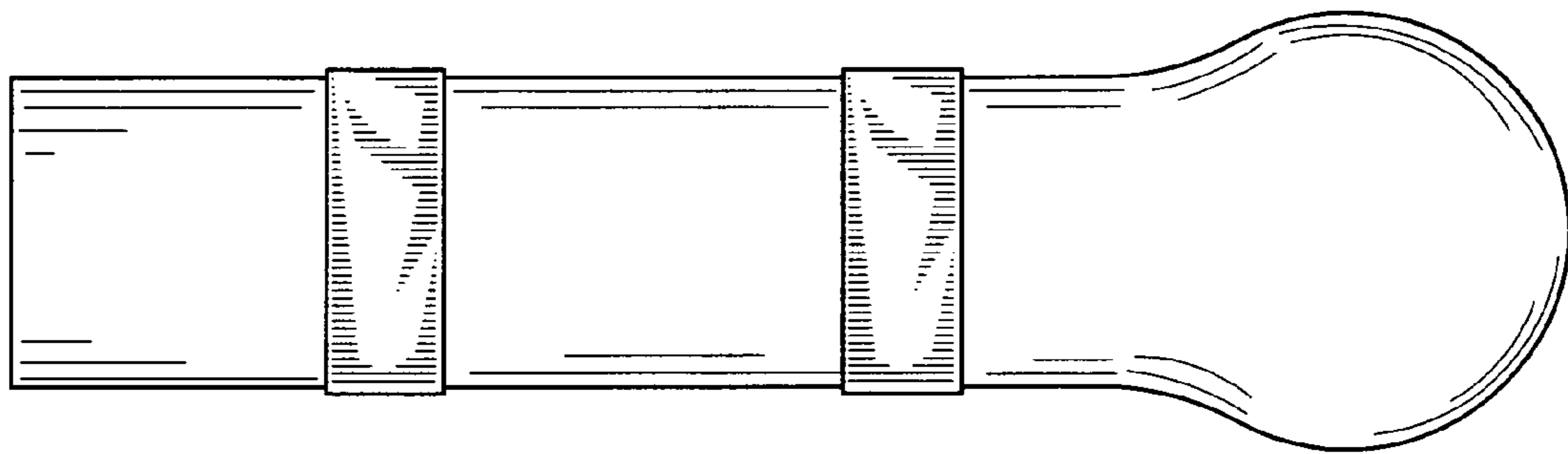


Fig. 5

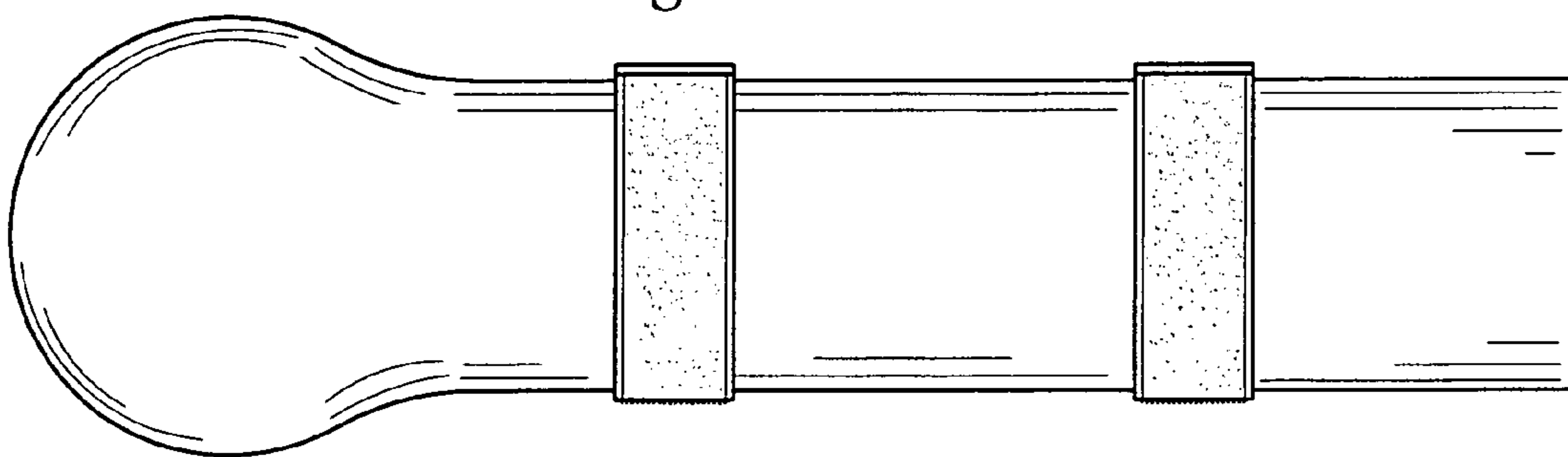


Fig. 6

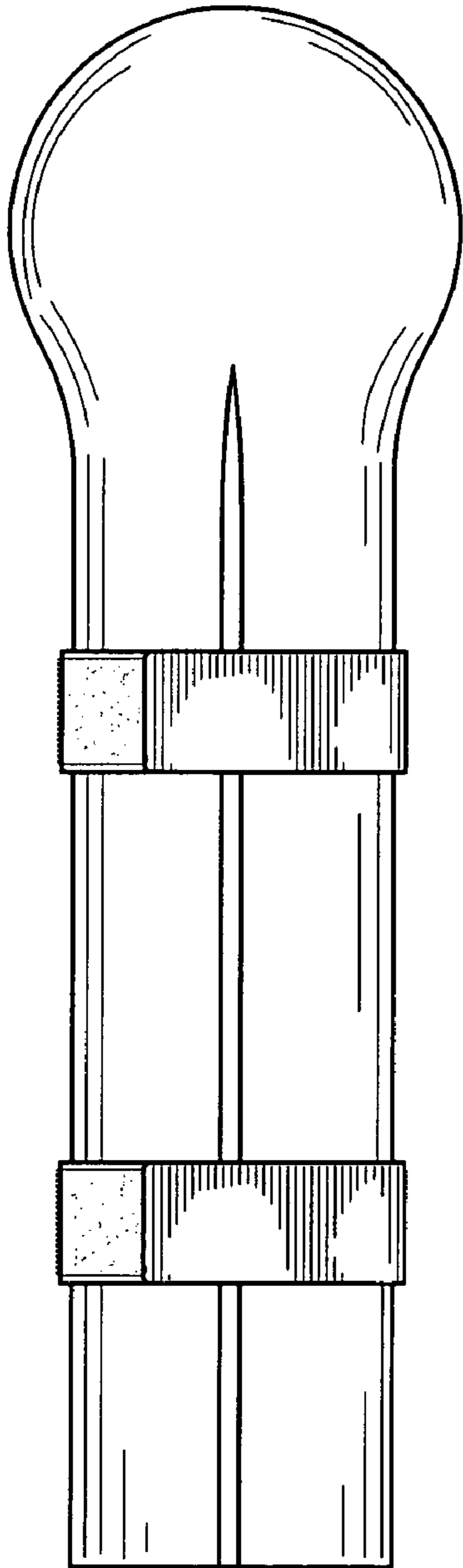


Fig. 7

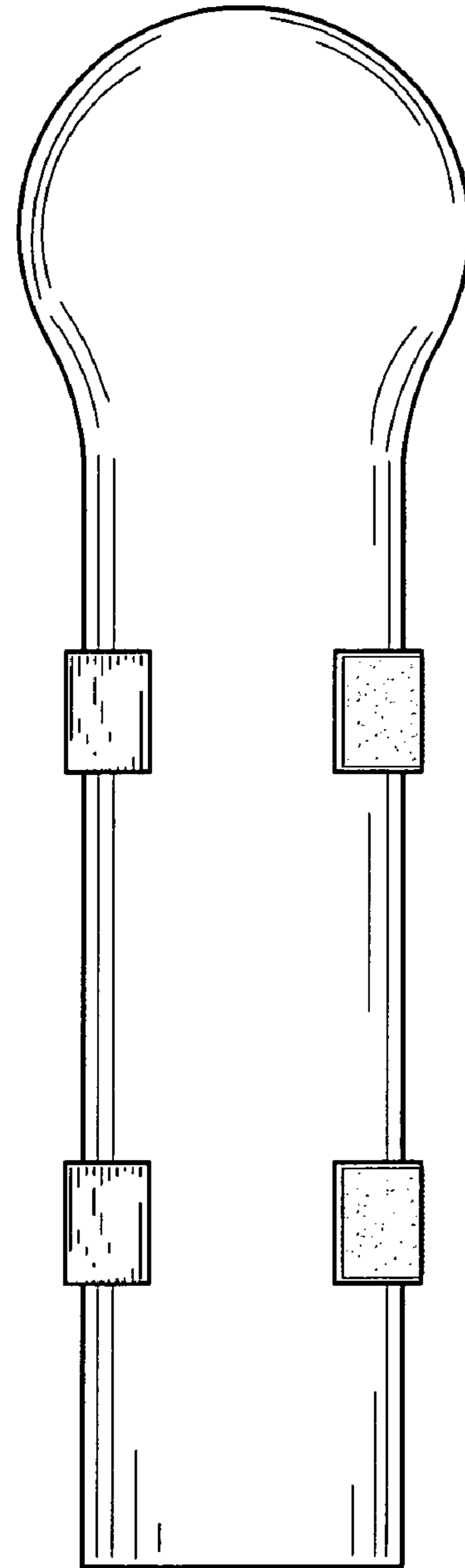


Fig. 8