



US00D589607S

(12) **United States Design Patent**
Ungar

(10) **Patent No.:** **US D589,607 S**
(45) **Date of Patent:** **** Mar. 31, 2009**

(54) **MOLDED LENS FOR USE WITH A FILTER RESPIRATOR**

(75) Inventor: **William Dean Ungar**, Torrance, CA (US)

(73) Assignee: **Moldex-Metric, Inc.**, Culver City, CA (US)

(**) Term: **14 Years**

(21) Appl. No.: **29/273,667**

(22) Filed: **Mar. 8, 2007**

(51) **LOC (9) Cl.** **29-02**

(52) **U.S. Cl.** **D24/110.2; D24/110.4**

(58) **Field of Classification Search** D24/110, D24/110.1, 110.2, 110.4, 110.5; D29/105-110, D29/122; 128/206.12, 206.17, 206.21, 206.23, 128/201.15, 201.17, 201.23, 201.24, 205.25
See application file for complete search history.

(56) **References Cited**

U.S. PATENT DOCUMENTS

- D213,077 S * 12/1968 Holloway D24/110.2
- D249,368 S * 9/1978 Watkins, Jr. D24/110.2
- D331,988 S * 12/1992 Markert D24/110.2
- D336,546 S * 6/1993 Lybrand D24/110.2

- D409,744 S * 5/1999 Grannis et al. D24/110.4
- 5,924,420 A * 7/1999 Reischel et al. 128/206.21
- D426,298 S * 6/2000 Grannis et al. D24/110.2
- 2002/0092522 A1 * 7/2002 Fabin 128/201.23

* cited by examiner

Primary Examiner—Ian Simmons

Assistant Examiner—Christopher Lee

(74) *Attorney, Agent, or Firm*—Charles H. Schwartz

(57) **CLAIM**

The ornamental design for a molded lens for use with a filter respirator, as shown and described.

DESCRIPTION

FIG. 1 is a front perspective view of a molded lens for use with a filter respirator according to my new design,

FIG. 2 is a rear perspective view thereof.

FIG. 3 is a front view thereof,

FIG. 4 is a back view thereof,

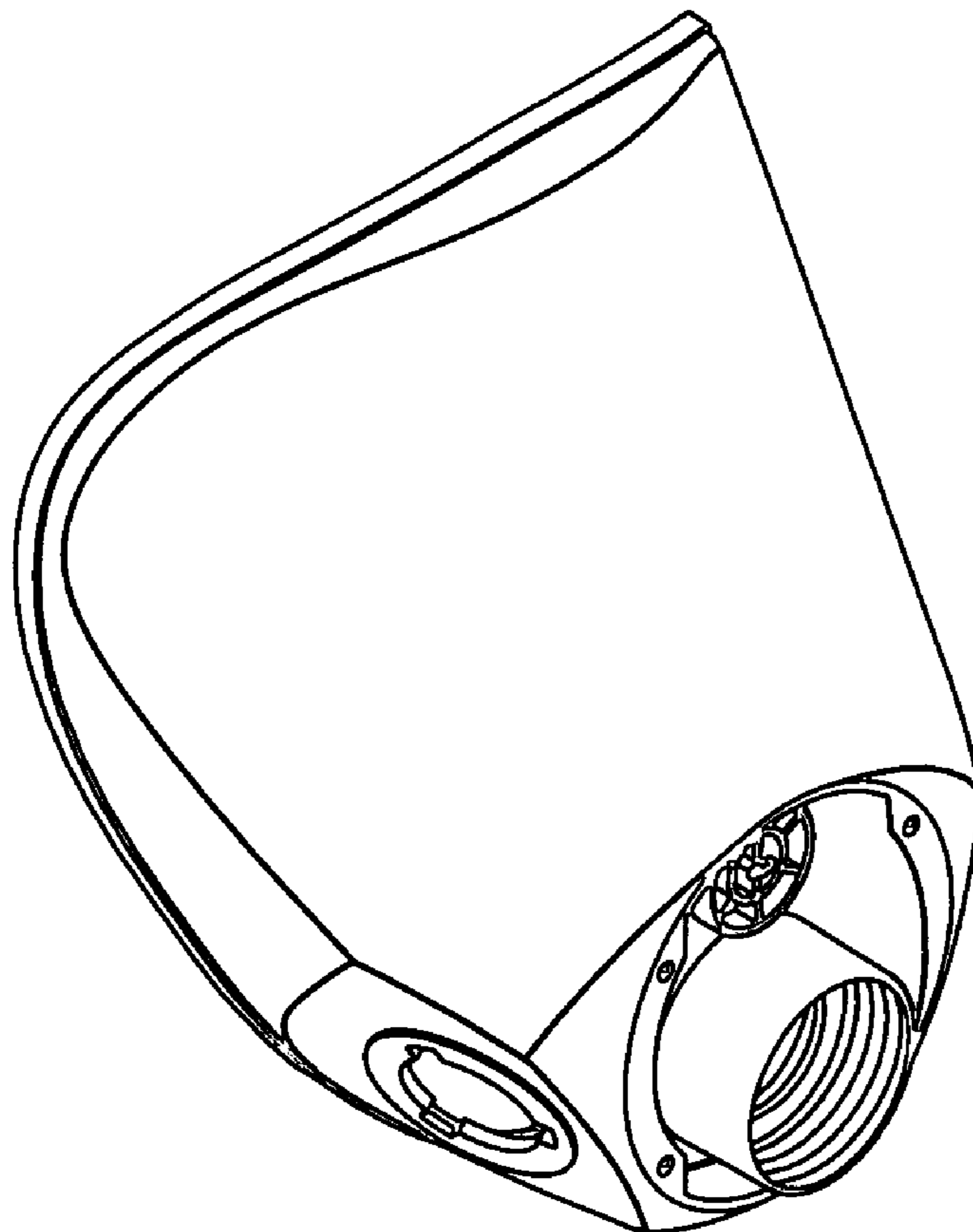
FIG. 5 is a top plan view thereof,

FIG. 6 is a bottom plan view thereof,

FIG. 7 is a left side elevational view thereof; and,

FIG. 8 is a right side elevational view thereof.

1 Claim, 2 Drawing Sheets



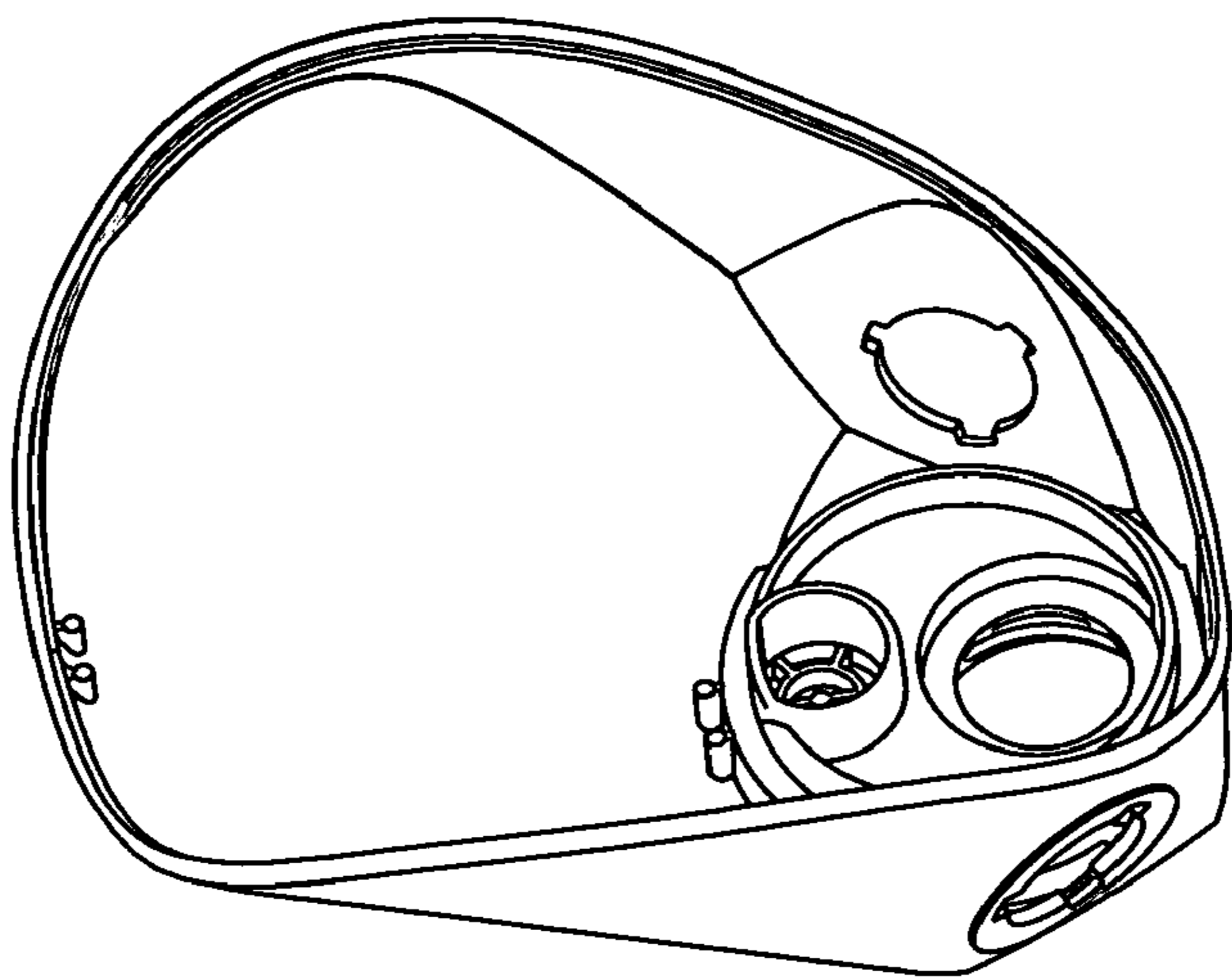


Fig. 2

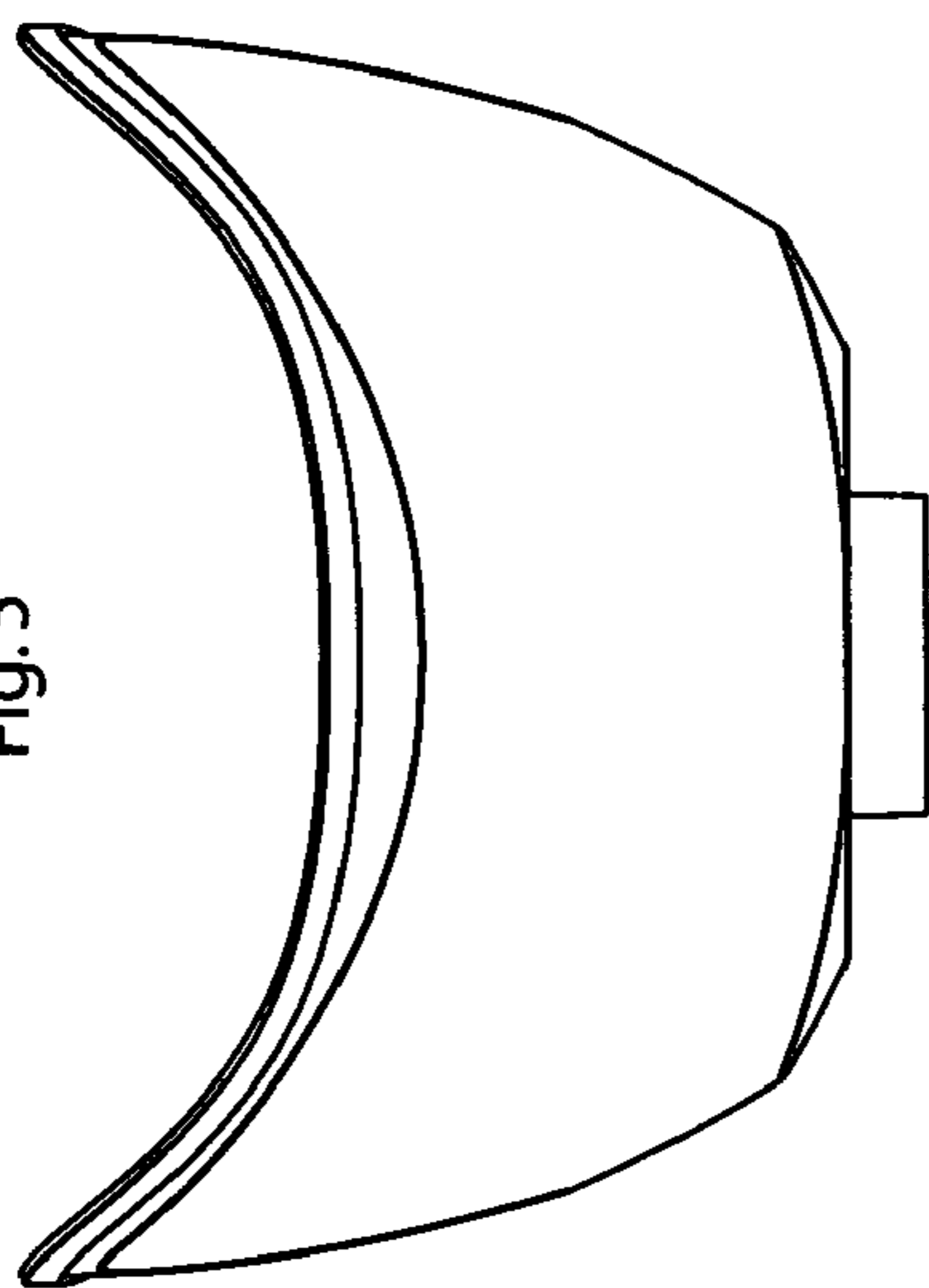


Fig. 5

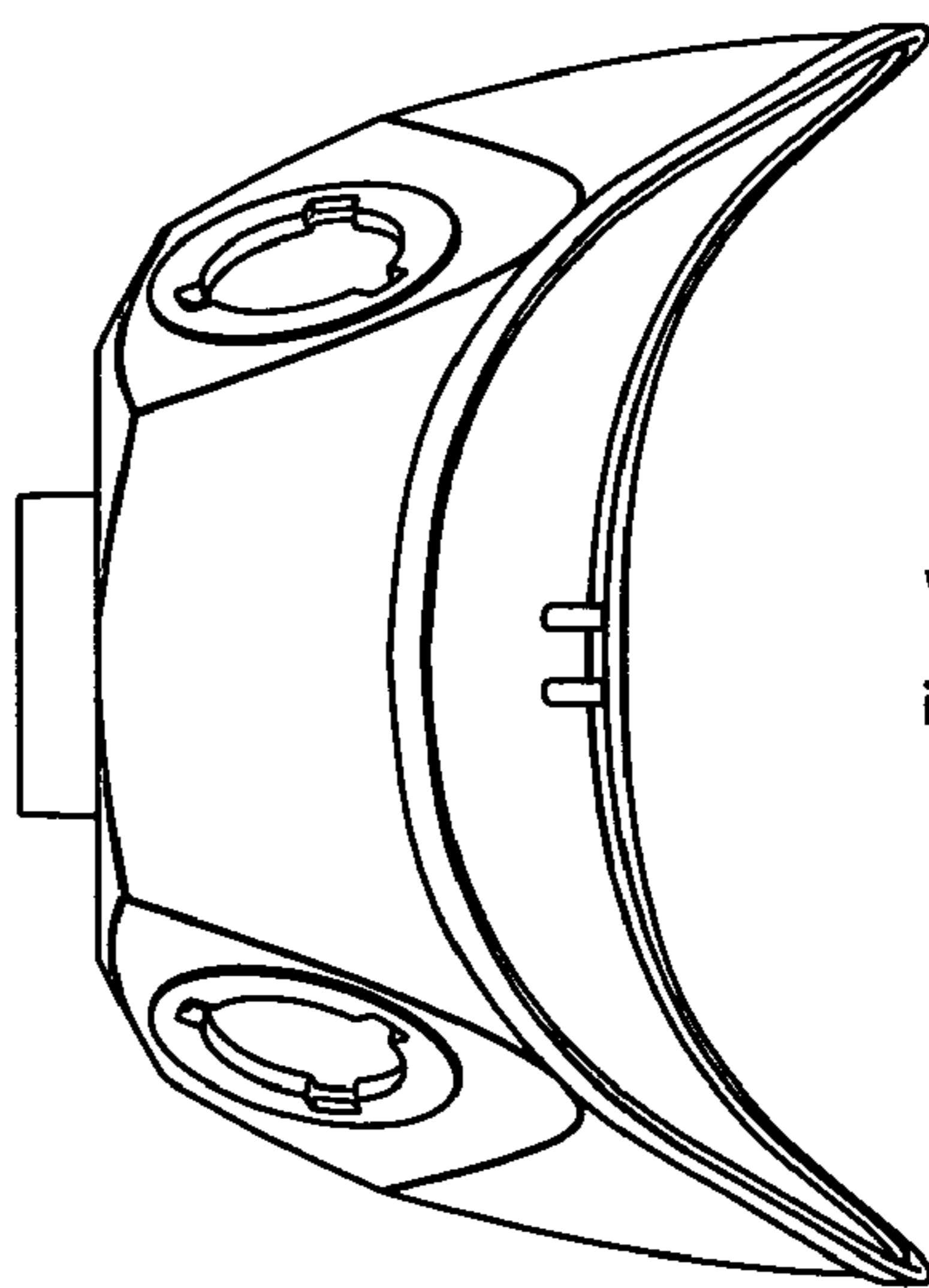


Fig. 6

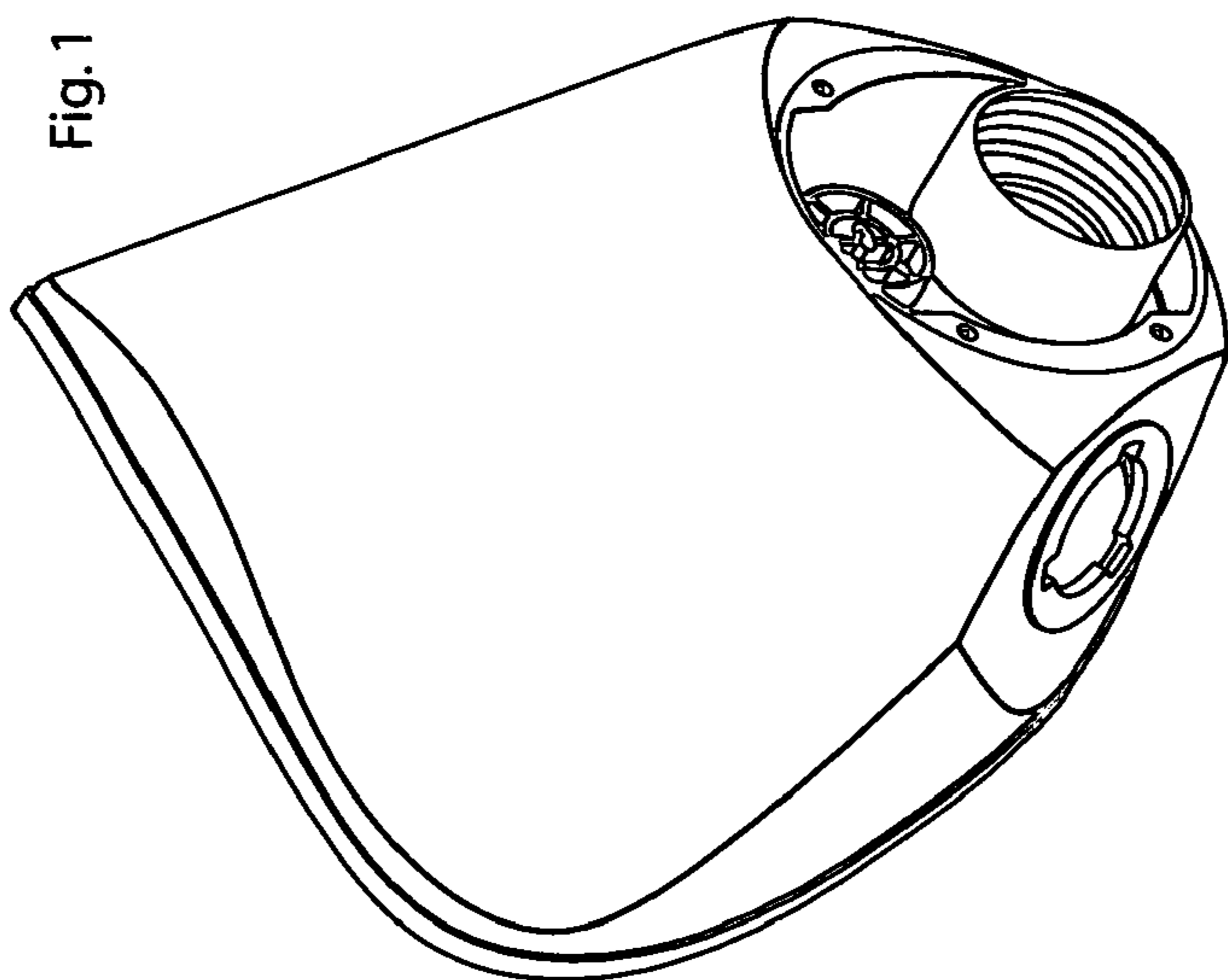


Fig. 1

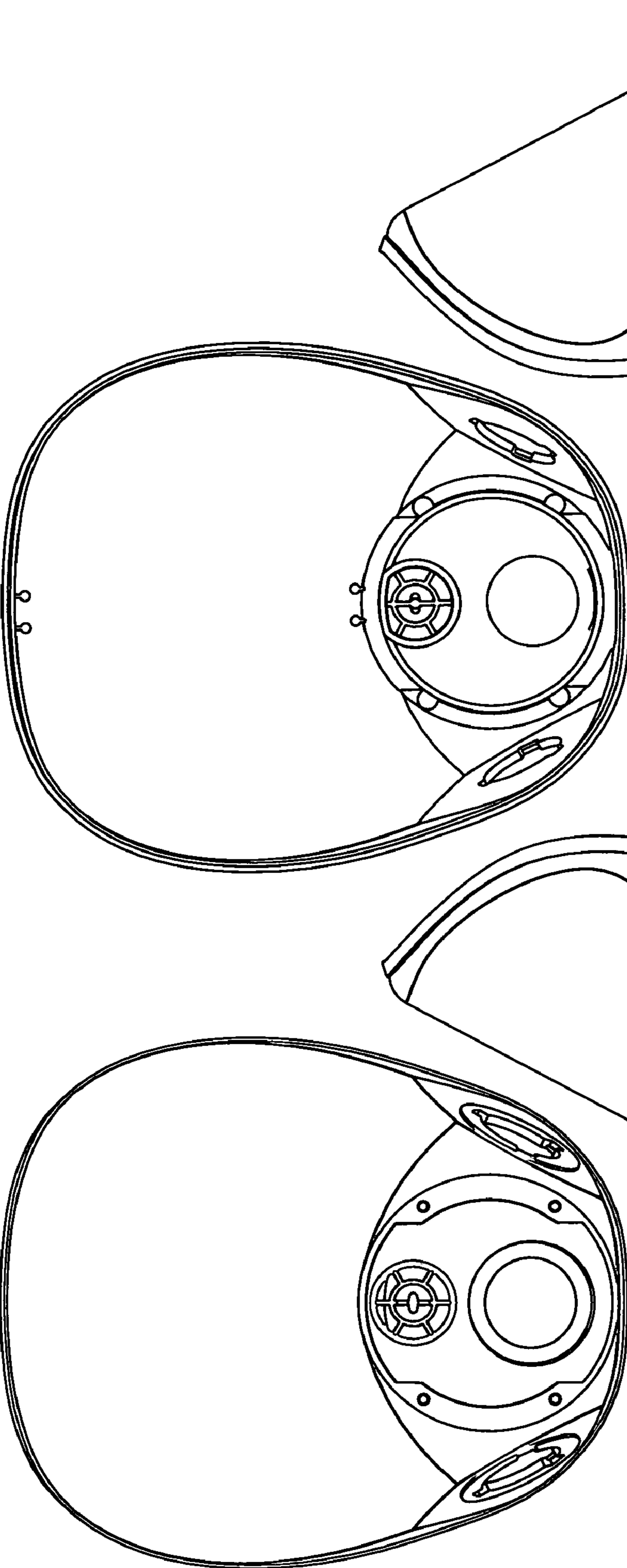


Fig. 4

Fig. 3

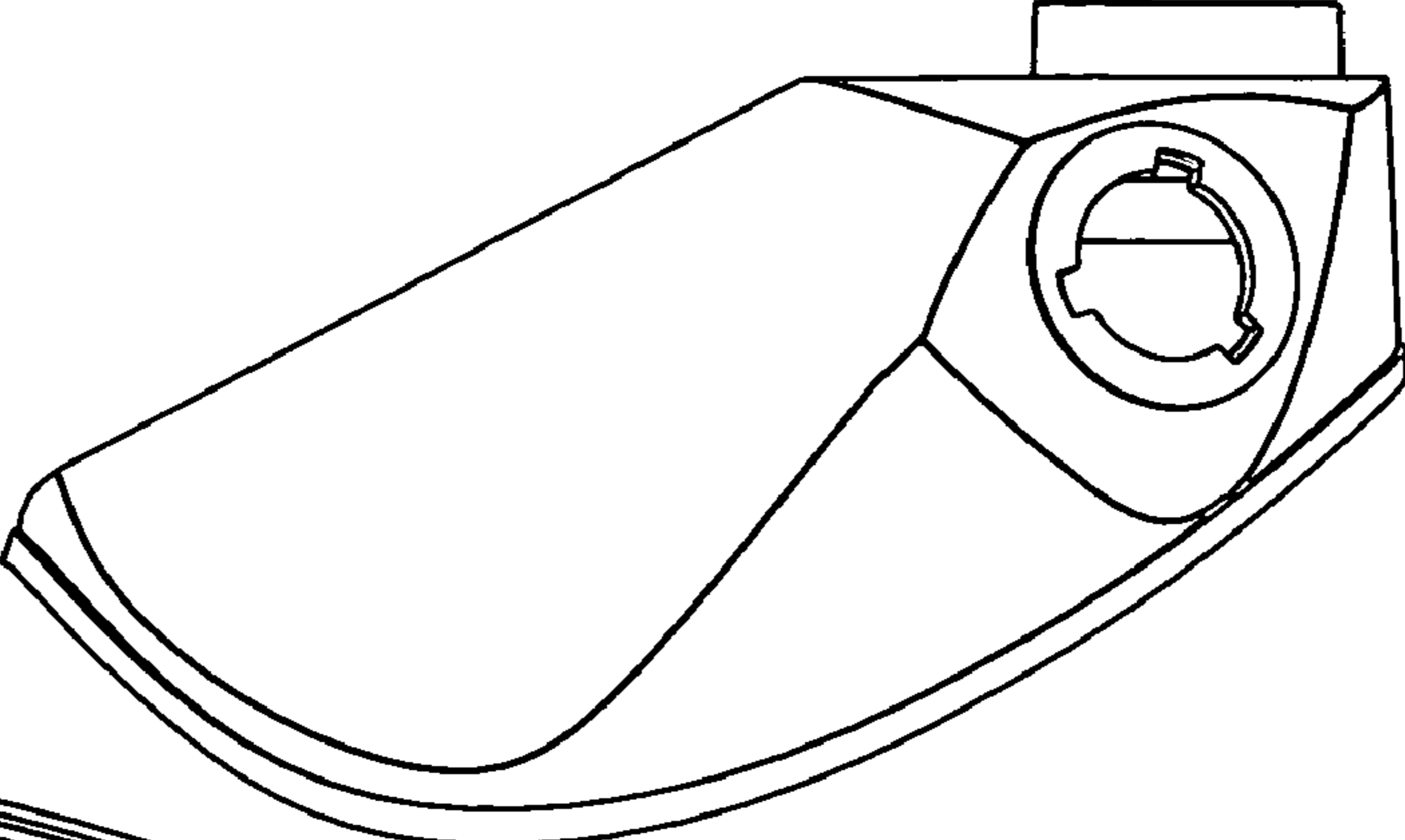


Fig. 7

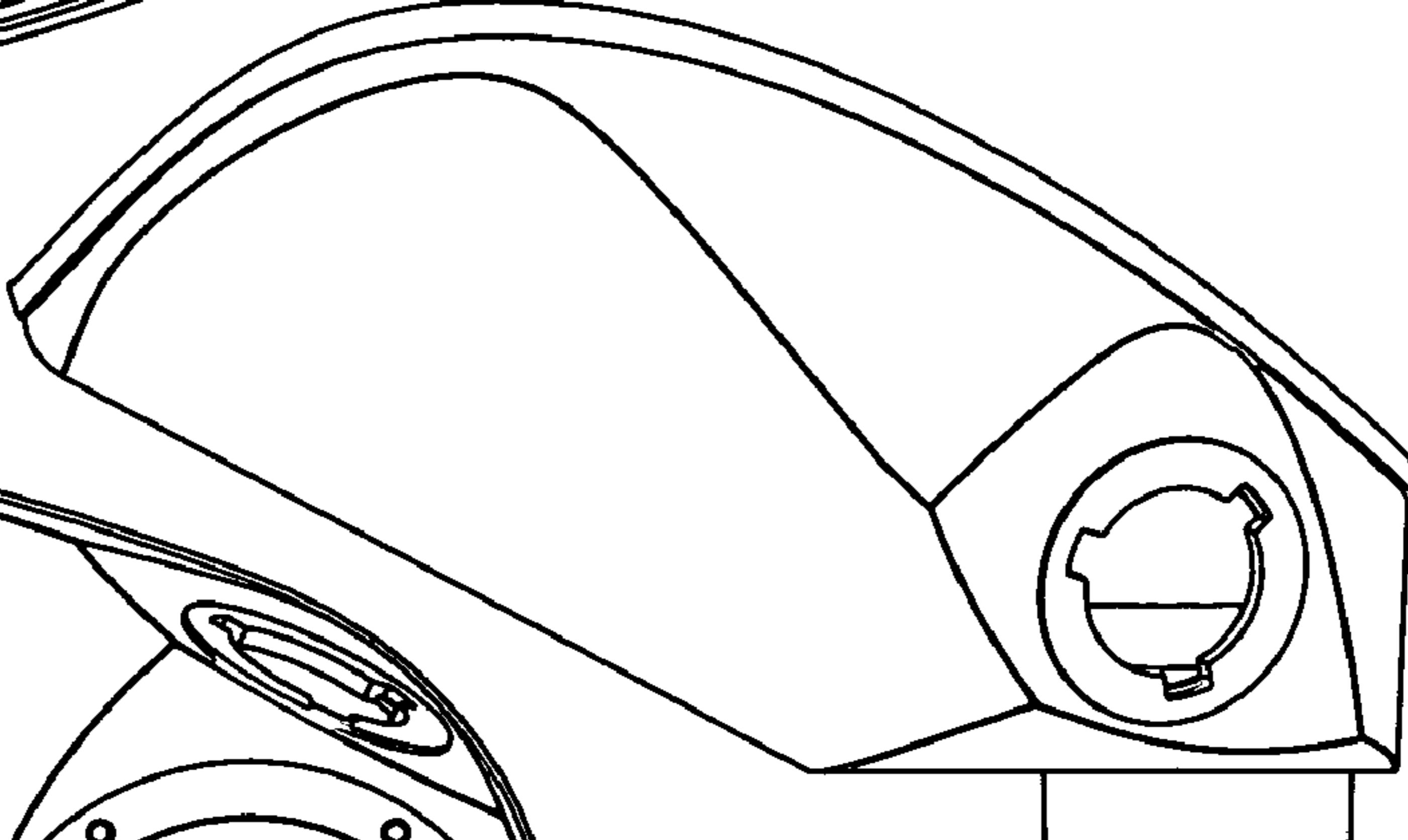


Fig. 8