



US00D589604S

(12) **United States Design Patent**
Hsu

(10) **Patent No.:** **US D589,604 S**
(45) **Date of Patent:** **** Mar. 31, 2009**

(54) **ELECTRIC FAN**

(76) Inventor: **Kuei-chih Hsu**, Aomen Industry
Zhangge village, Guanlan town, Baoan
Shenzhen (CN)

(**) Term: **14 Years**

(21) Appl. No.: **29/250,888**

(22) Filed: **Dec. 4, 2006**

(51) **LOC (9) Cl.** **23-04**

(52) **U.S. Cl.** **D23/382**

(58) **Field of Classification Search** D23/382,
D23/381, 332, 370; 416/246 R, 247 R, 244 R;
417/423.15

See application file for complete search history.

(56) **References Cited**

U.S. PATENT DOCUMENTS

D391,631 S * 3/1998 Litvin D23/382
5,829,956 A * 11/1998 Chen et al. 416/196 A
D483,852 S * 12/2003 Wong D23/382

* cited by examiner

Primary Examiner—Lisa Lichtenstein

(74) *Attorney, Agent, or Firm*—Egbert Law Offices

(57) **CLAIM**

The ornamental design for an electric fan, as shown and described.

DESCRIPTION

FIG. 1 is a front view of the electric fan showing my design.

FIG. 2 is an enlarged side elevation view thereof;

FIG. 3 is a back view thereof;

FIG. 4 is an enlarged opposite side elevation thereof;

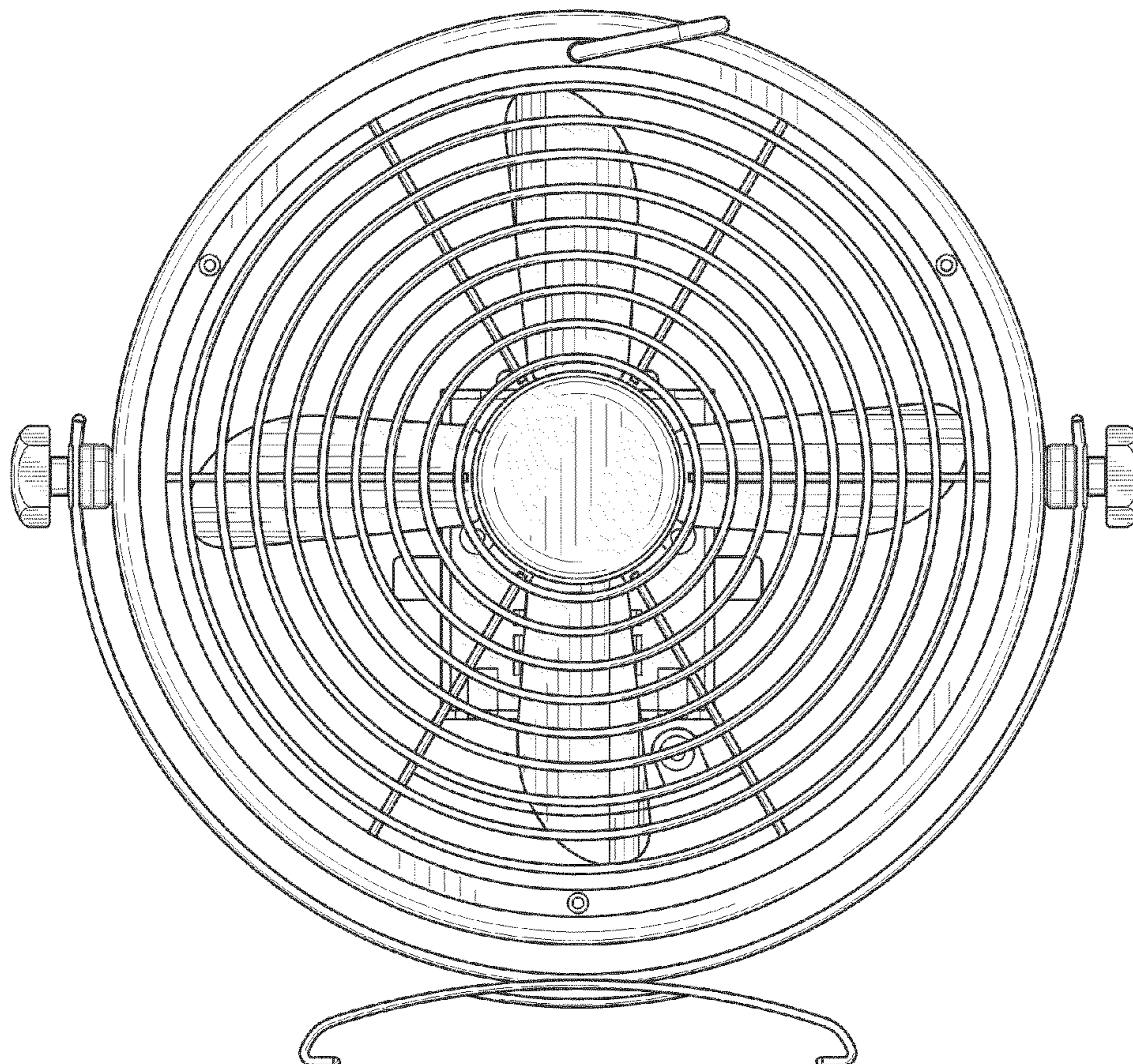
FIG. 5 is a greatly enlarged top plan view thereof;

FIG. 6 is an enlarged bottom view thereof;

FIG. 7 is an upper perspective view thereof; and,

FIGS. 8–9 are side elevation views showing tilting and rotation positions of fan elements thereof.

1 Claim, 9 Drawing Sheets



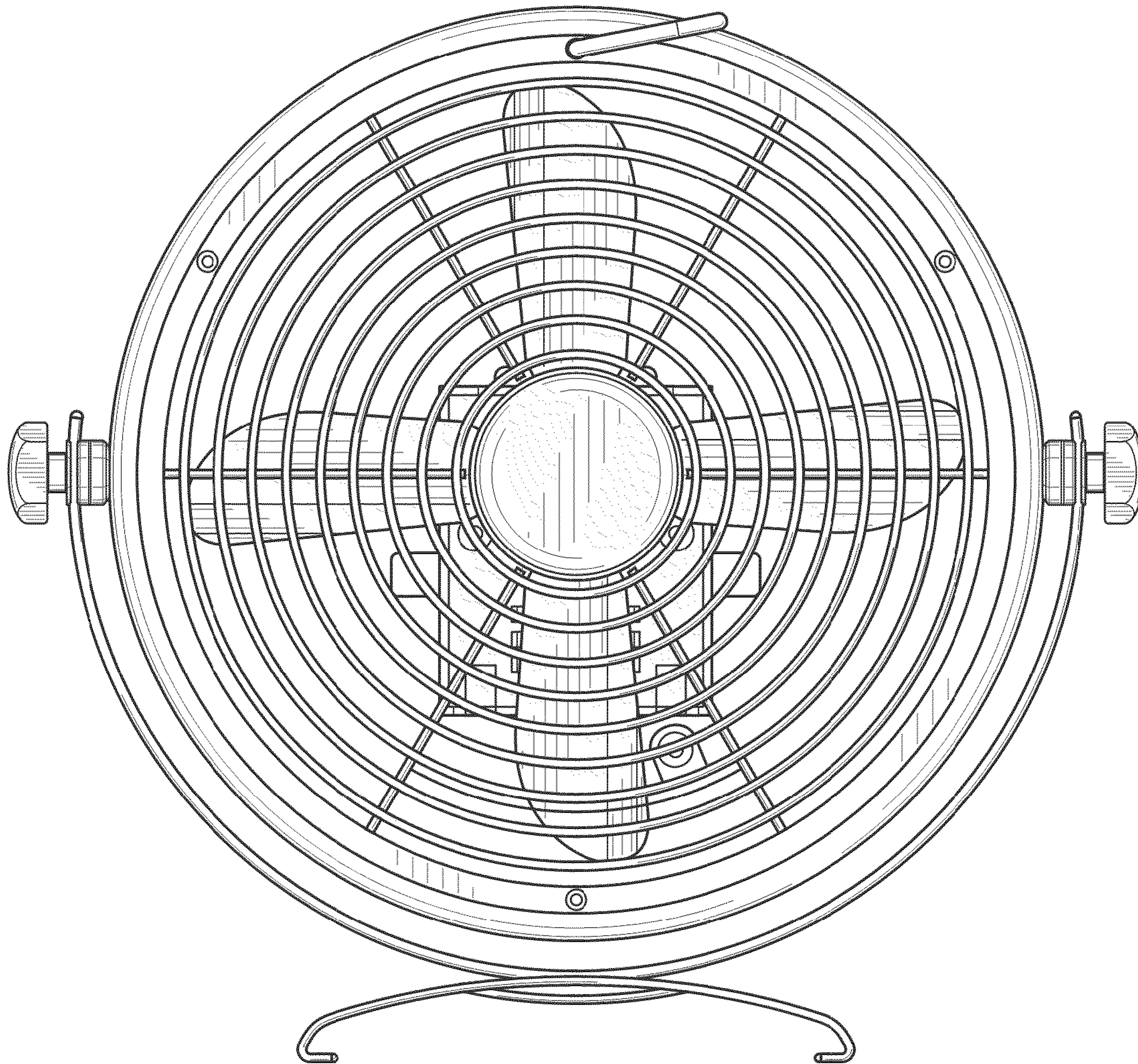


FIG. 1

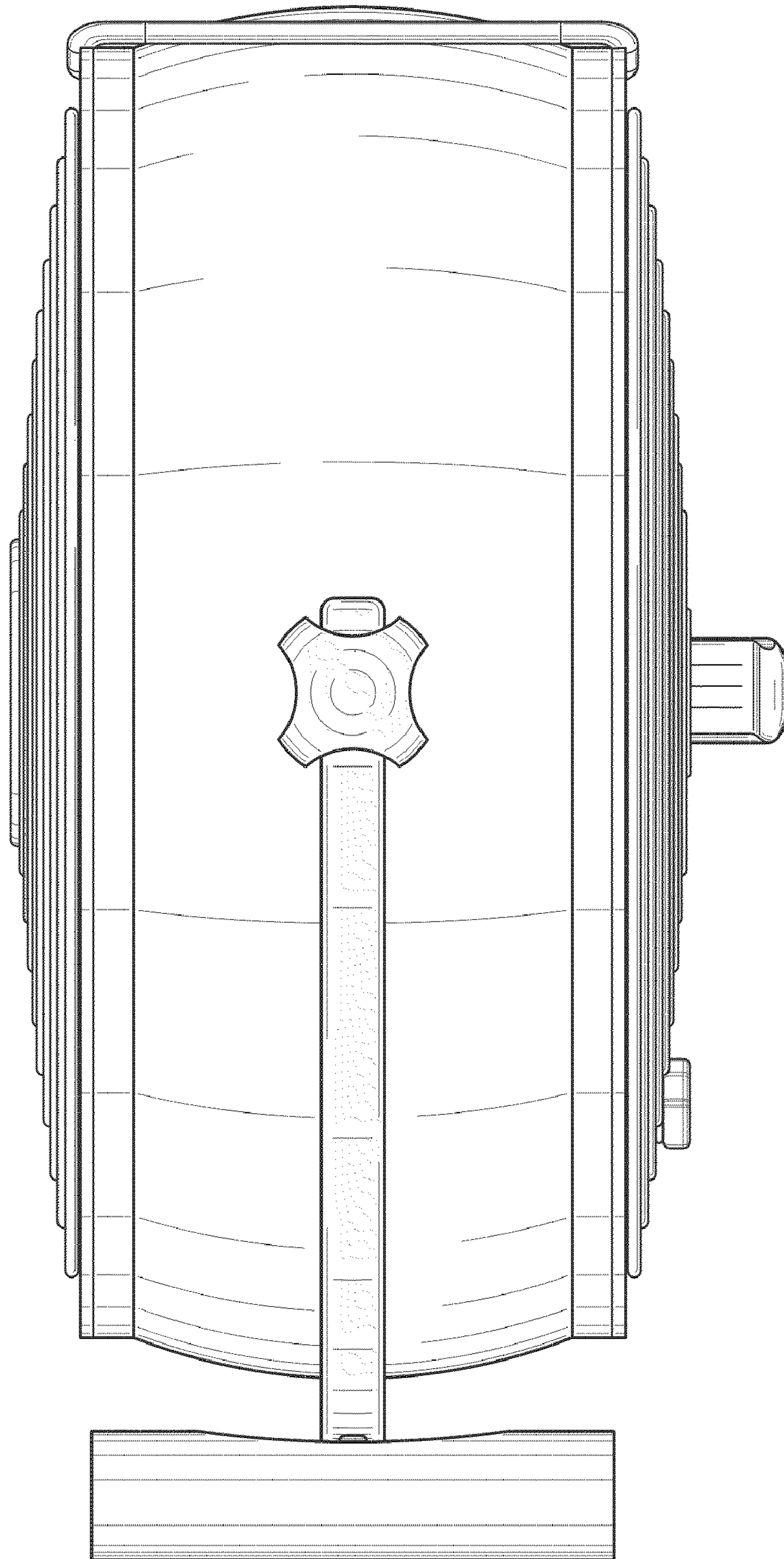


FIG. 2

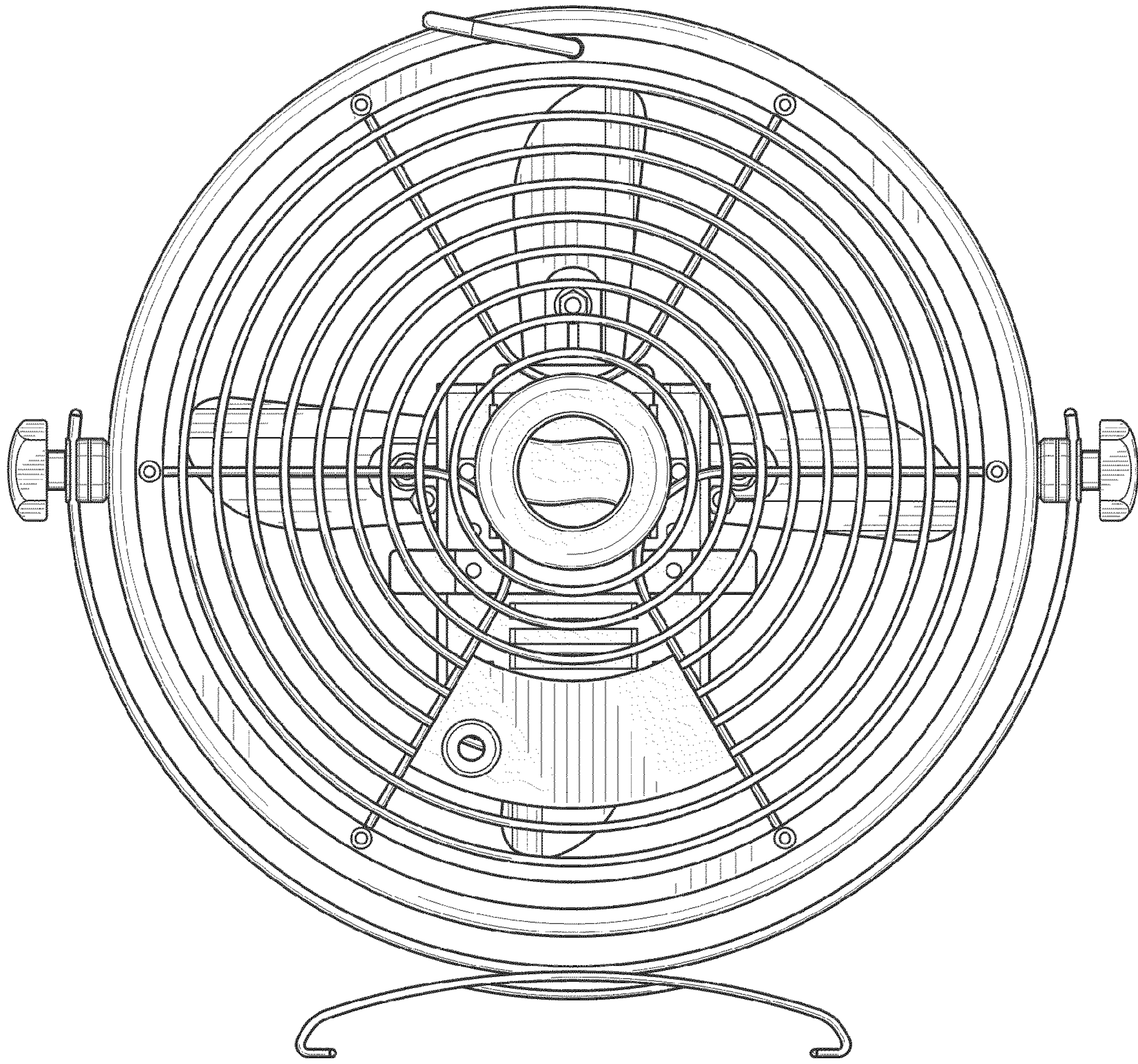


FIG. 3

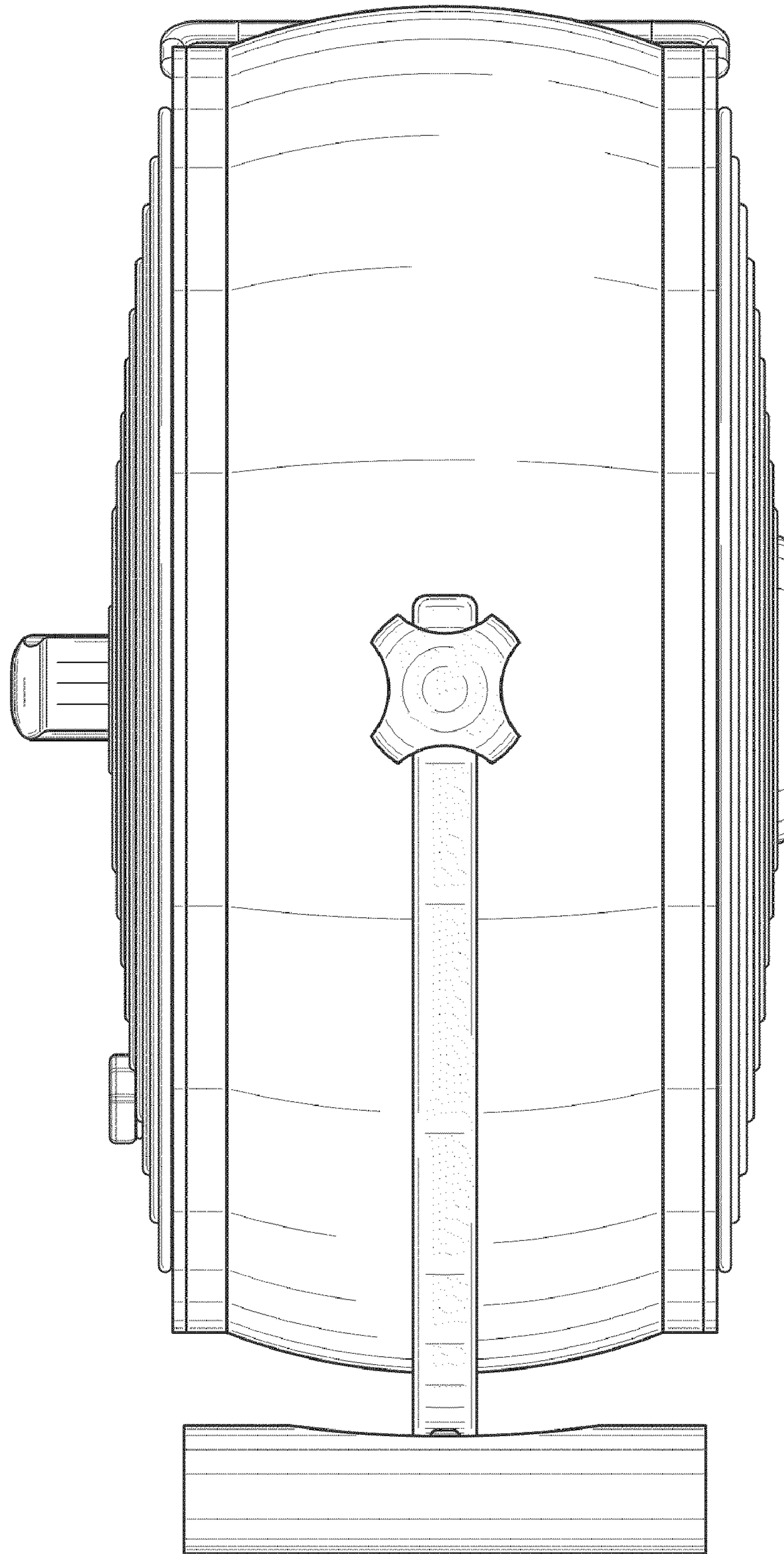


FIG. 4

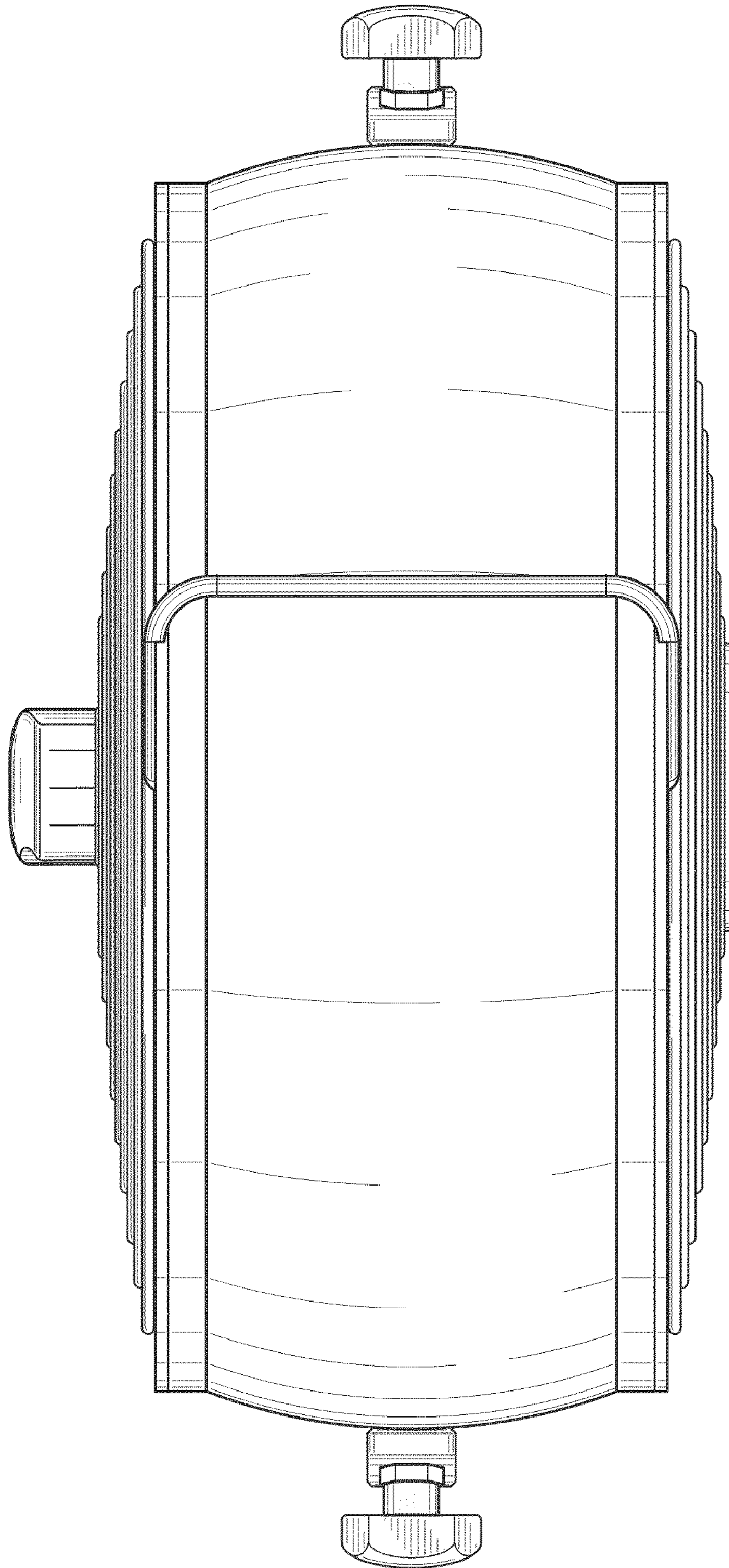


FIG. 5

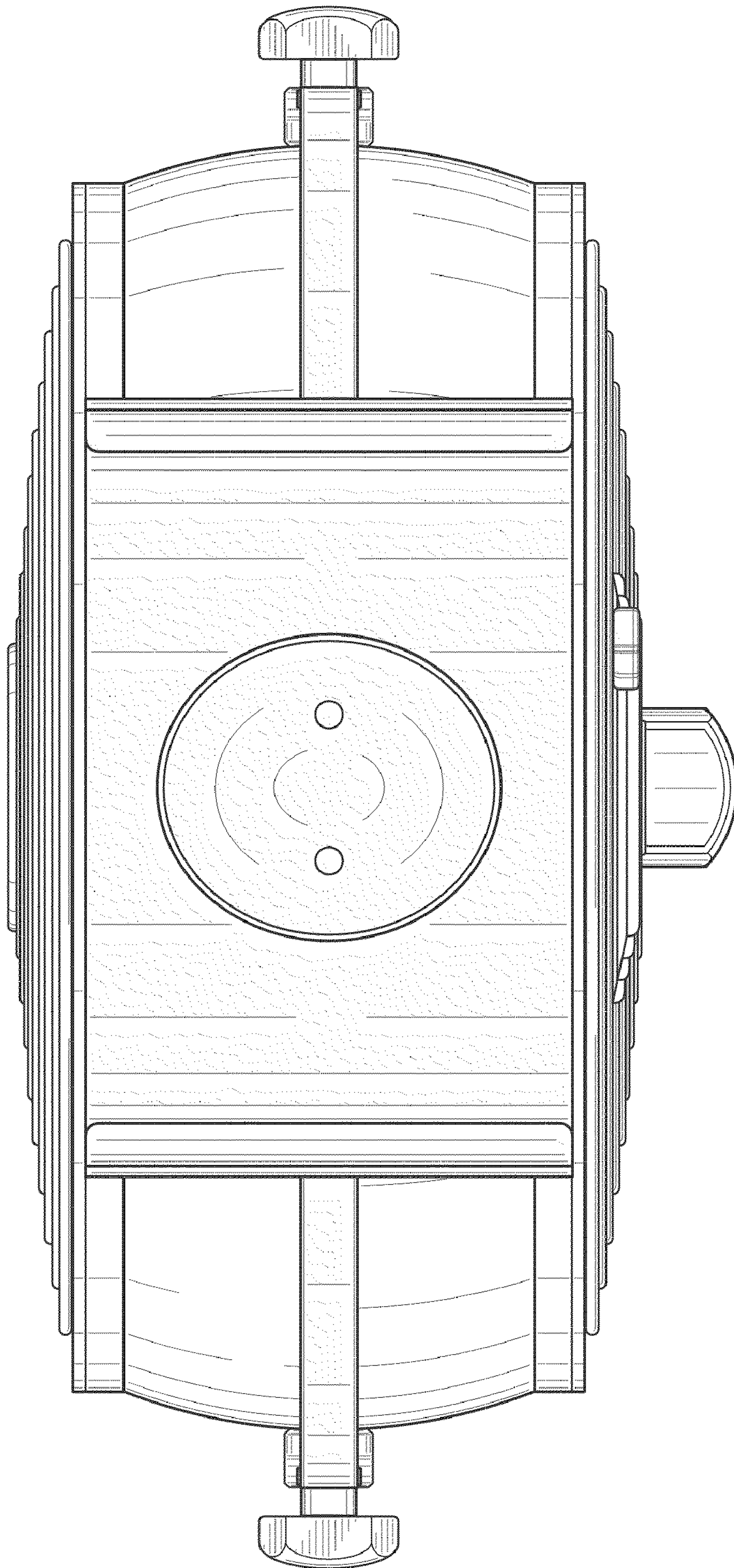


FIG. 6

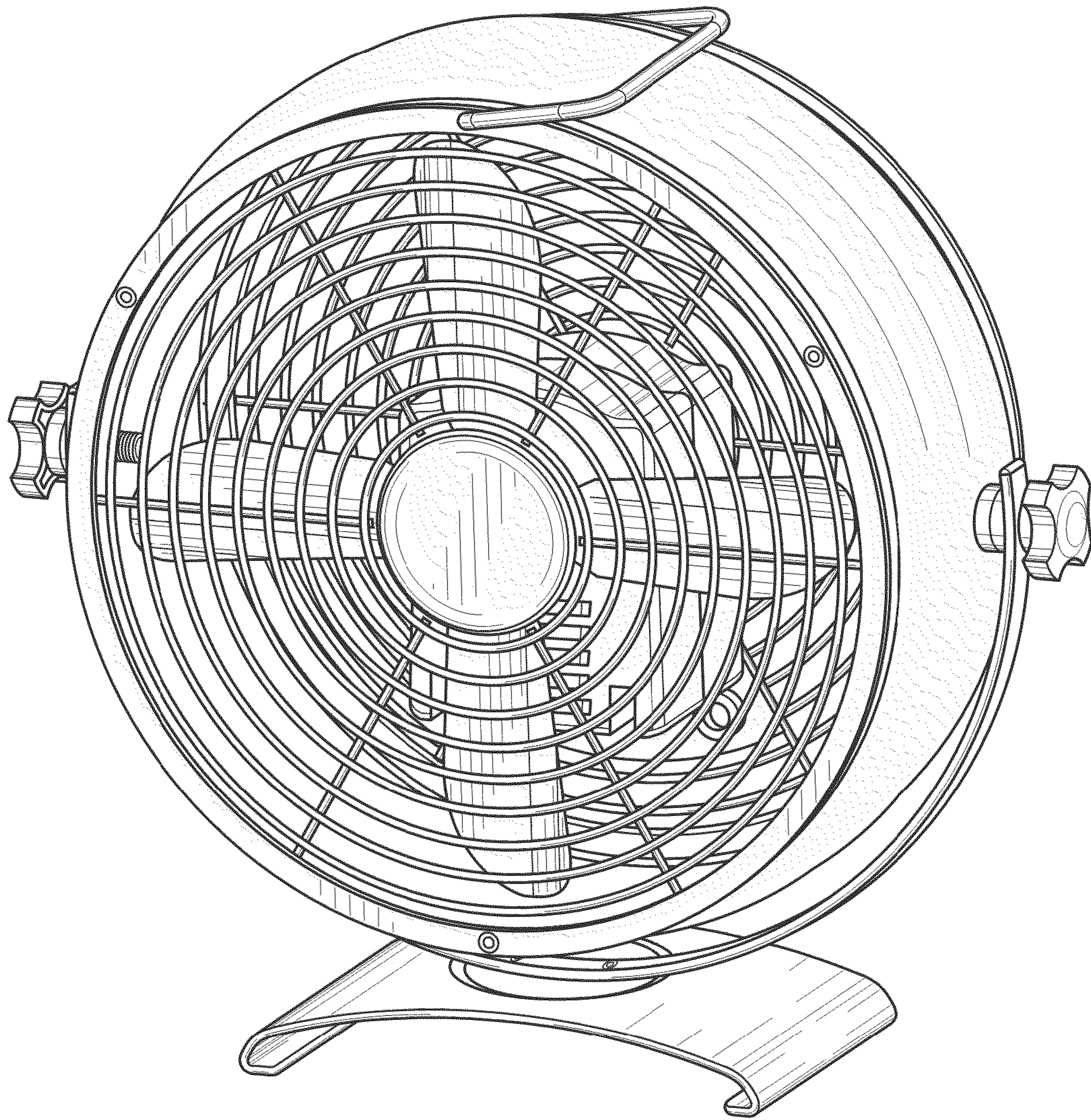


FIG. 7

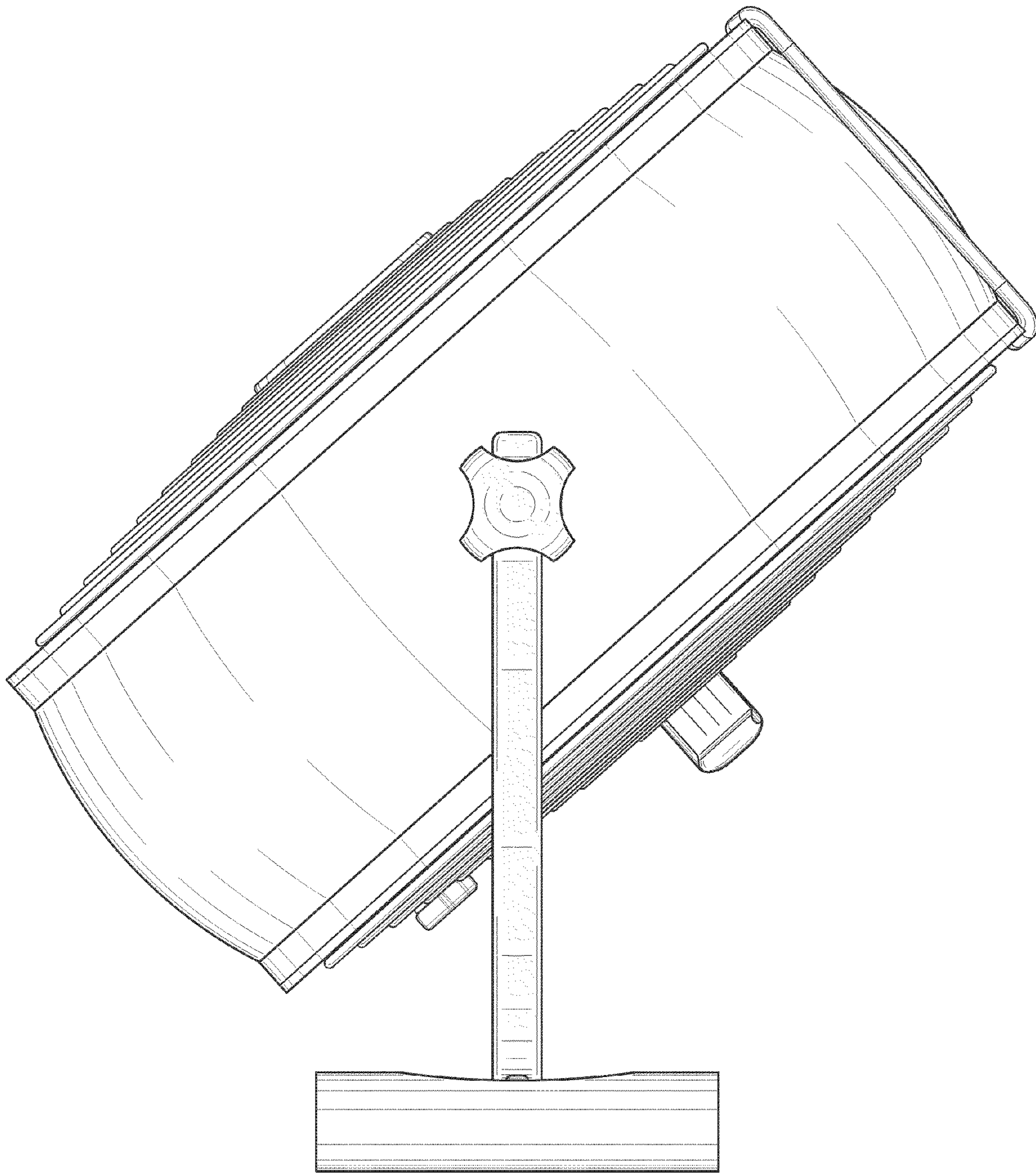


FIG. 8

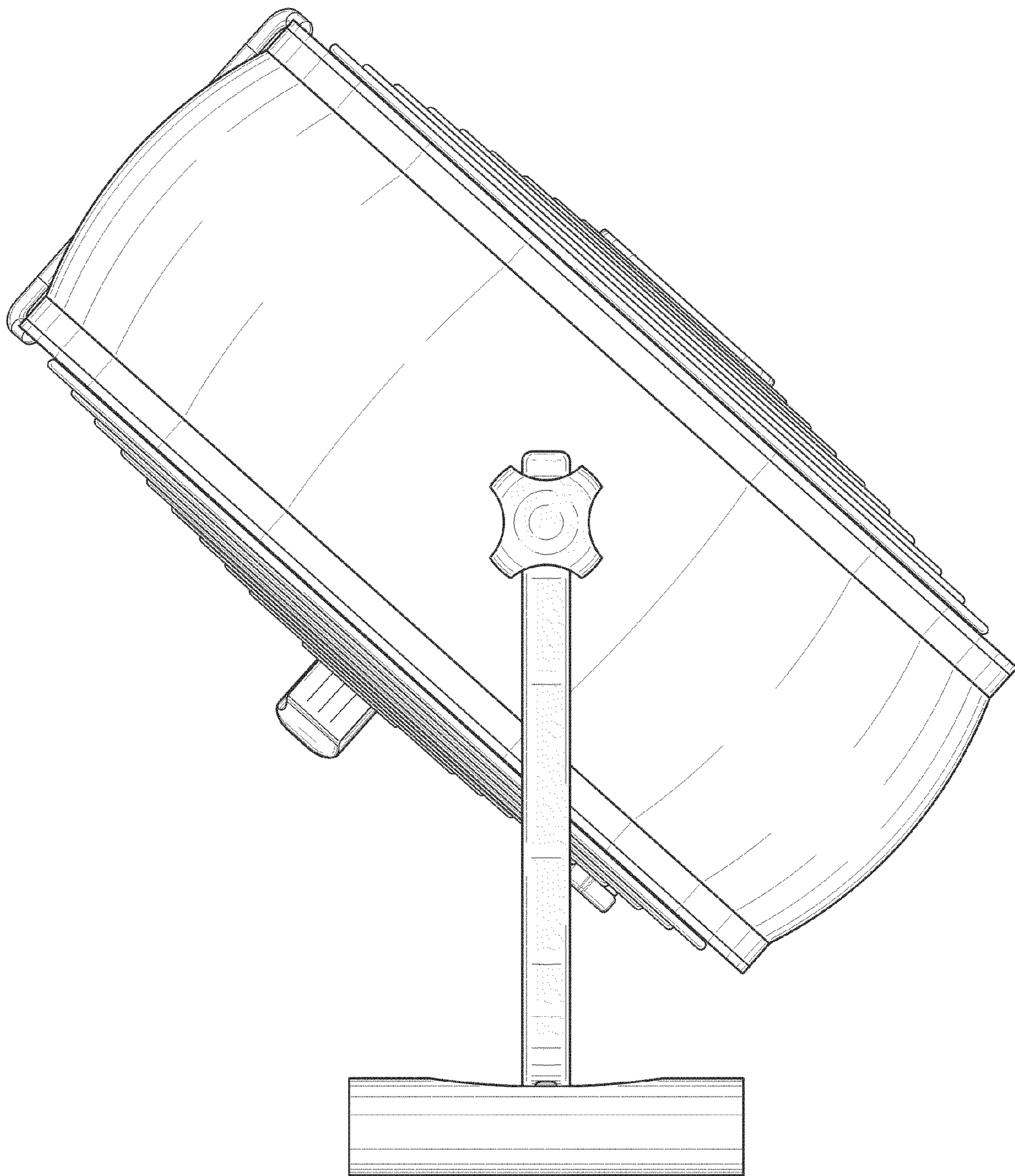


FIG. 9