



US00D589601S

(12) **United States Design Patent**  
**Horiguchi**

(10) **Patent No.:** **US D589,601 S**  
(45) **Date of Patent:** **\*\* Mar. 31, 2009**

(54) **EXHAUST CLEANER FOR AIR PRESSURE  
DEVICE**

(75) Inventor: **Hiroyuki Horiguchi**, Tsukubamirai (JP)

(73) Assignee: **SMC Corporation**, Chiyoda-ku, Tokyo  
(JP)

(\*\*) Term: **14 Years**

(21) Appl. No.: **29/308,068**

(22) Filed: **May 27, 2008**

(30) **Foreign Application Priority Data**

Nov. 28, 2007 (JP) ..... 2007-032603

(51) **LOC (9) Cl.** ..... **23-04**

(52) **U.S. Cl.** ..... **D23/365**

(58) **Field of Classification Search** ..... D23/365,  
D23/363, 358, 386, 354, 341, 364, 209; 55/385.3,  
55/502, 497, 498, 506, 505, 521, 495, 422,  
55/493, DIG. 30; 210/497.01, DIG. 17; D12/194;  
D15/5, 9; 138/37-39, 114; 181/227, 223;  
D9/549, 558, 559, 560; D22/108; D19/41

See application file for complete search history.

(56) **References Cited**

**U.S. PATENT DOCUMENTS**

1,487,312 A \* 3/1924 Bull ..... 181/223  
1,953,120 A \* 4/1934 Miller ..... D12/194  
D205,001 S \* 6/1966 Englesberg ..... D23/209  
D263,496 S \* 3/1982 Kimball et al. .... D23/365  
D285,331 S \* 8/1986 Cellini ..... D22/108  
D308,334 S \* 6/1990 Gormley et al. .... D9/549  
H1157 H \* 4/1993 Yanou et al. .... D23/209

D426,161 S \* 6/2000 Hestehave et al. .... D9/560  
D432,622 S \* 10/2000 Thompson et al. .... D23/209  
D455,782 S \* 4/2002 Singh et al. .... D19/41  
D465,181 S \* 11/2002 Wang ..... D12/194  
D491,066 S \* 6/2004 Le Goff ..... D9/549  
D540,349 S \* 4/2007 Waki ..... D15/9

\* cited by examiner

*Primary Examiner*—T. Chase Nelson

*Assistant Examiner*—David G Muller

(74) *Attorney, Agent, or Firm*—Yokoi & Co., U.S.A., Inc.;  
Peter Ganjian

(57) **CLAIM**

The ornamental design for an exhaust cleaner for air pressure  
device, as shown and described.

**DESCRIPTION**

FIG. 1 shows a front view of an exhaust cleaner for air  
pressure device showing my new design;

FIG. 2 shows a rear view thereof;

FIG. 3 shows a top view thereof;

FIG. 4 shows a bottom view thereof;

FIG. 5 shows a left side view thereof;

FIG. 6 shows a right side view thereof;

FIG. 7 shows an enlarged cross-sectional view thereof, taken  
along line 7—7 in FIG. 1;

FIG. 8 shows a top, front and left side perspective view  
thereof; and,

FIG. 9 shows a top, rear and right side perspective view  
thereof.

**1 Claim, 3 Drawing Sheets**

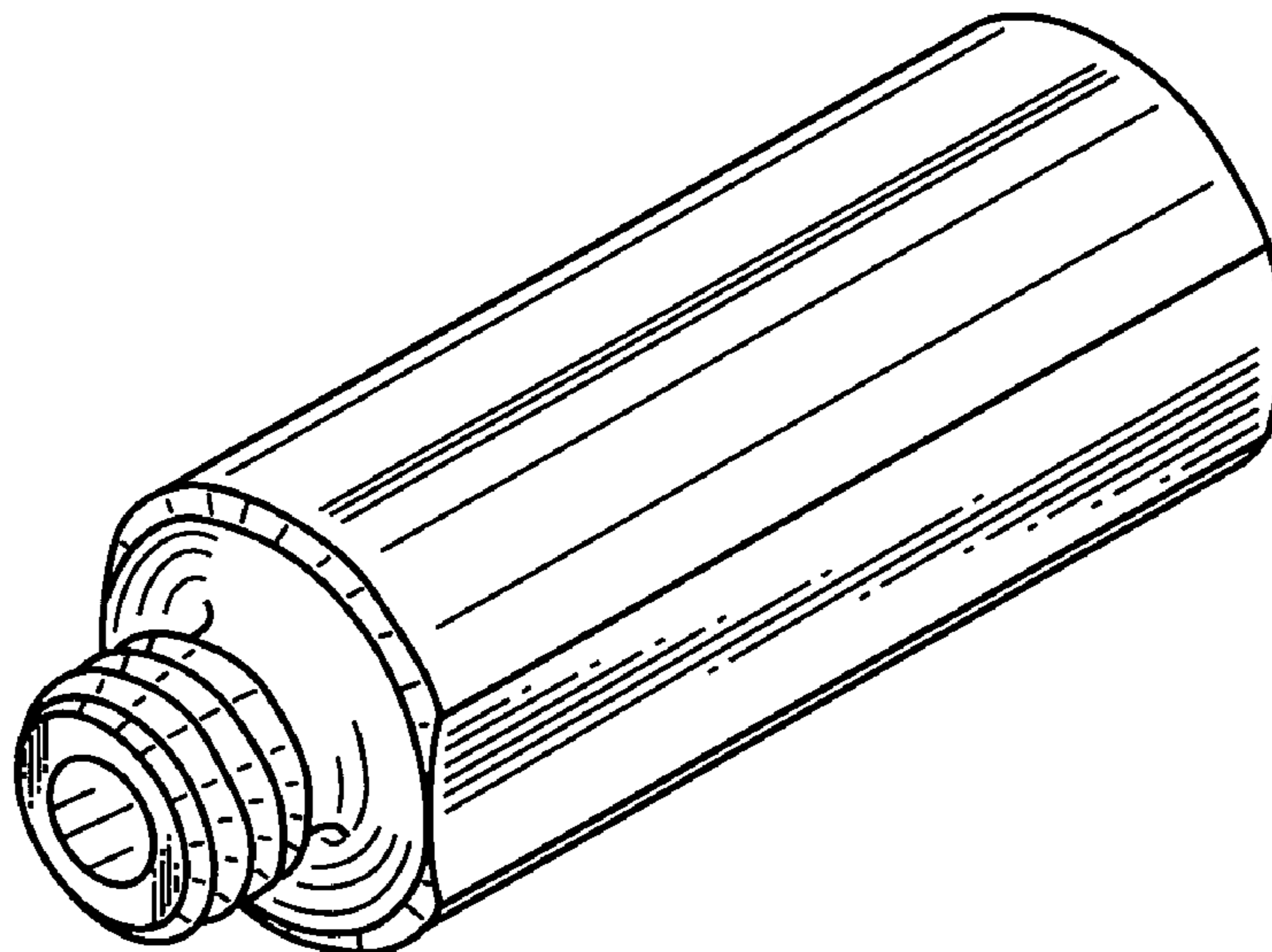


FIG. 1

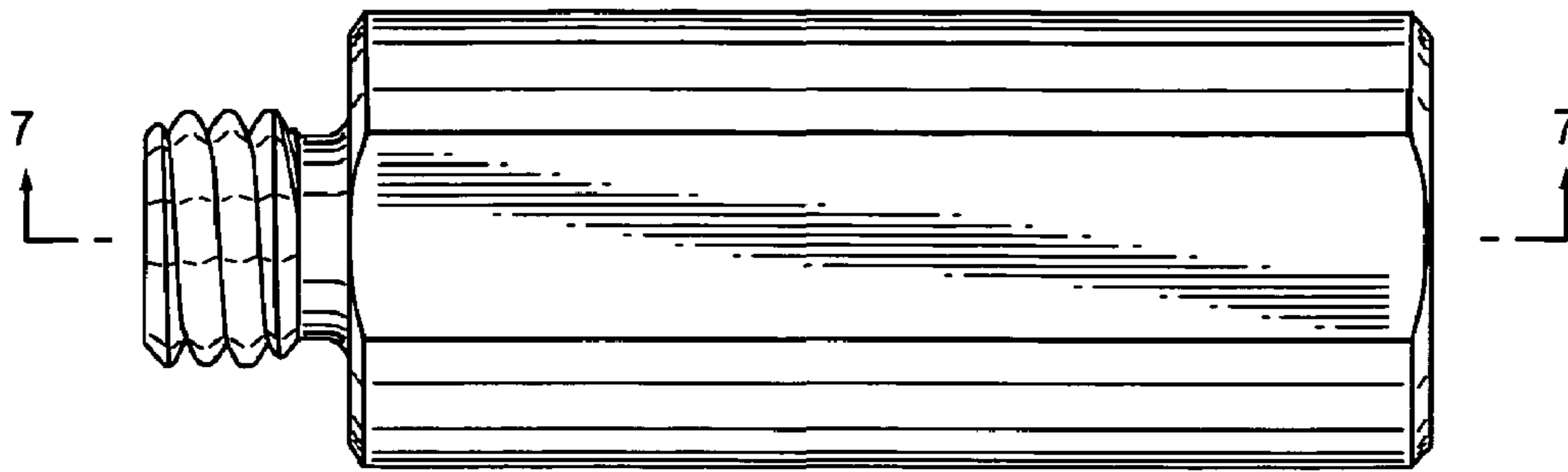


FIG. 2

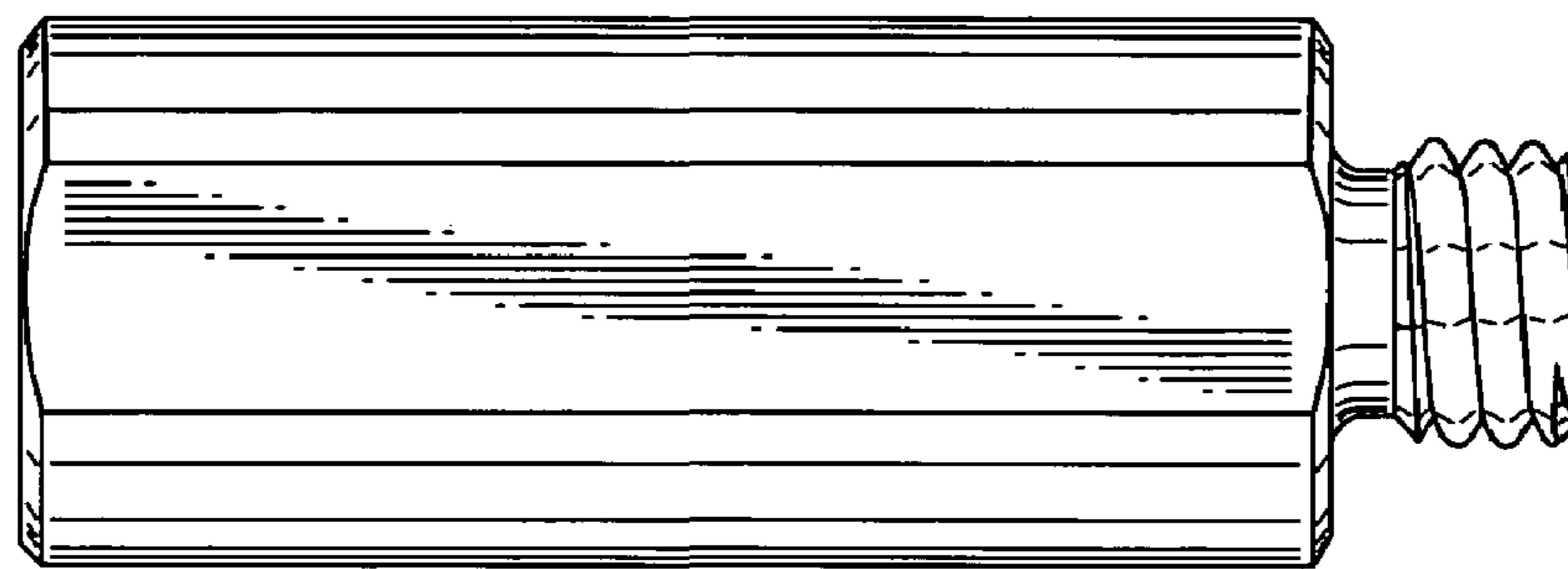


FIG. 3

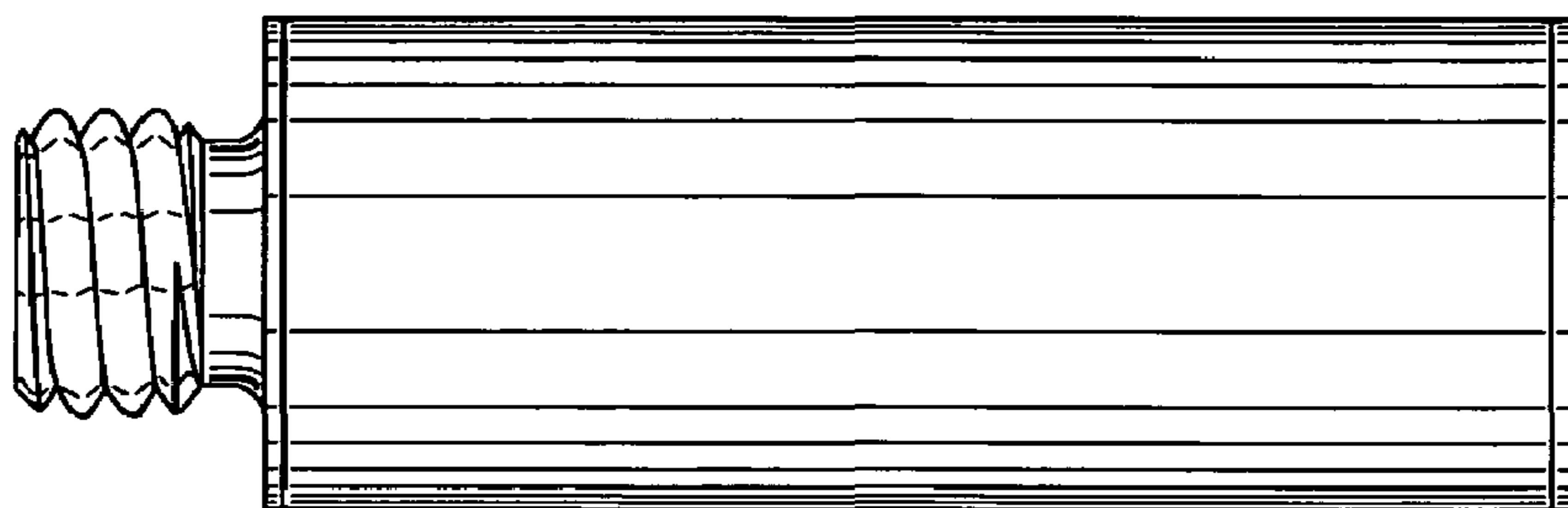


FIG. 4

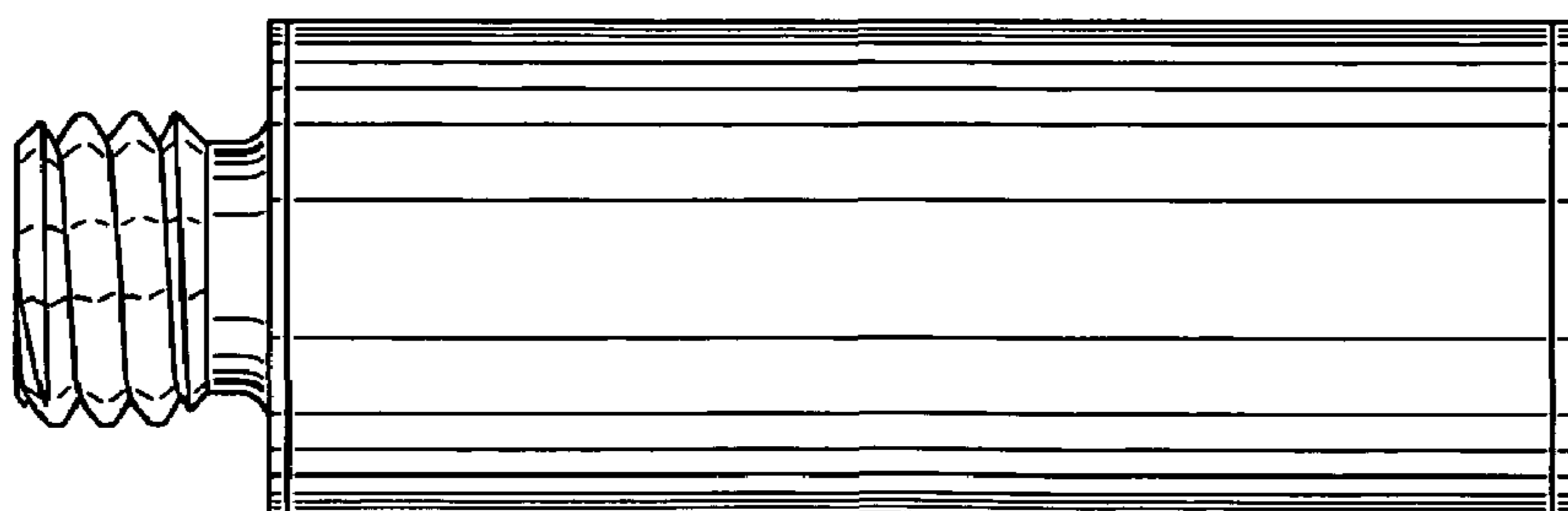


FIG. 5

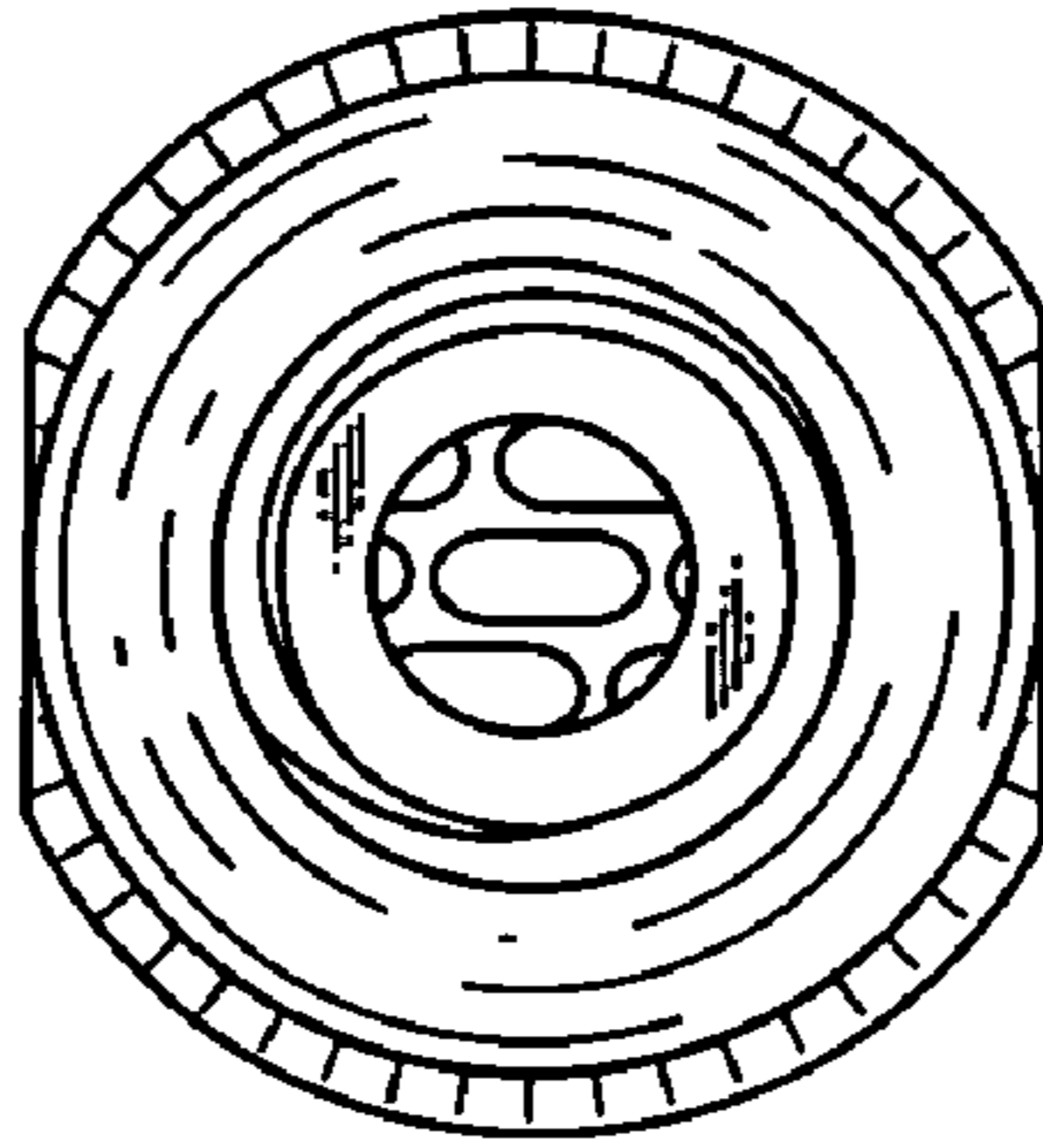


FIG. 6

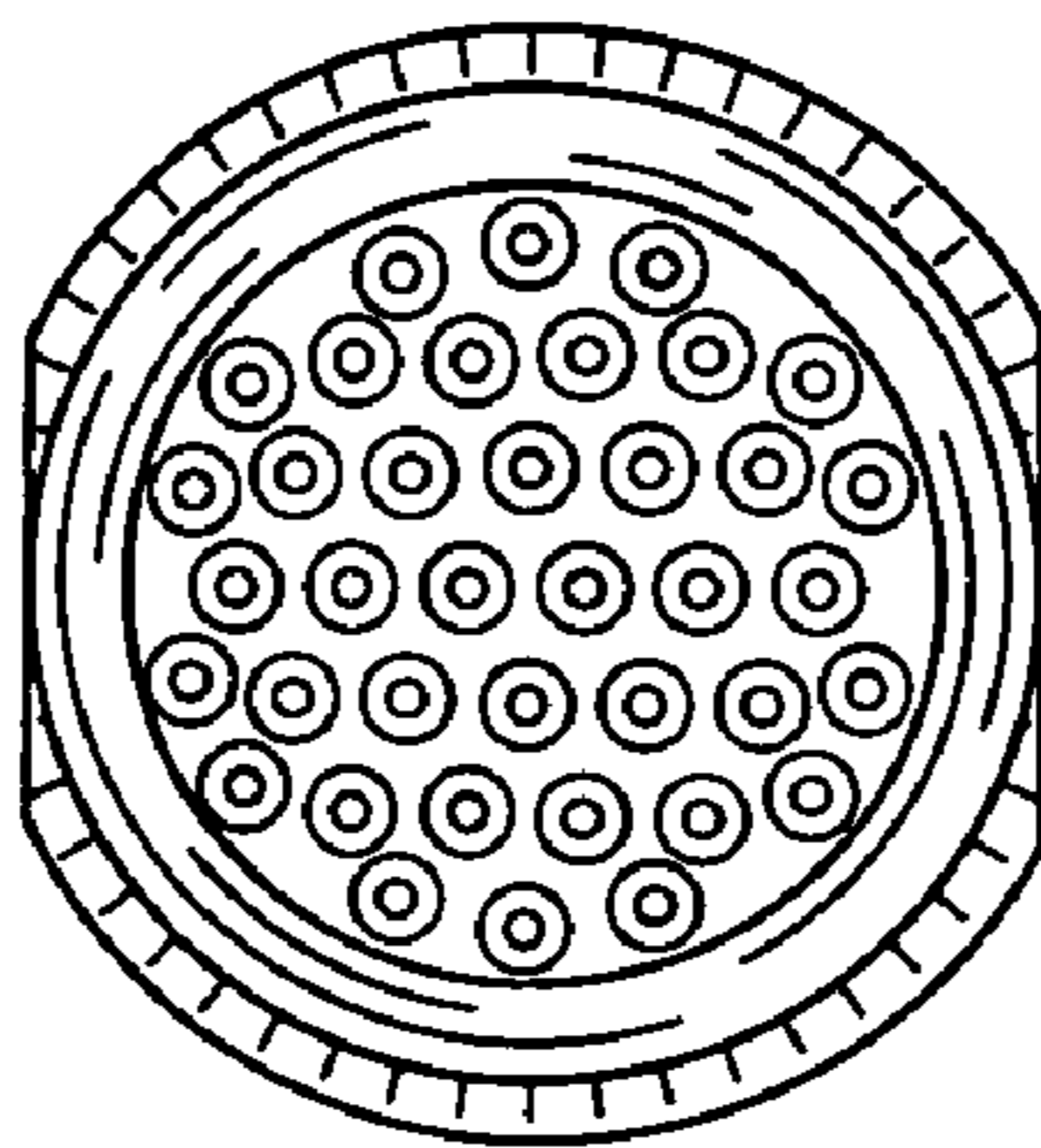


FIG. 7

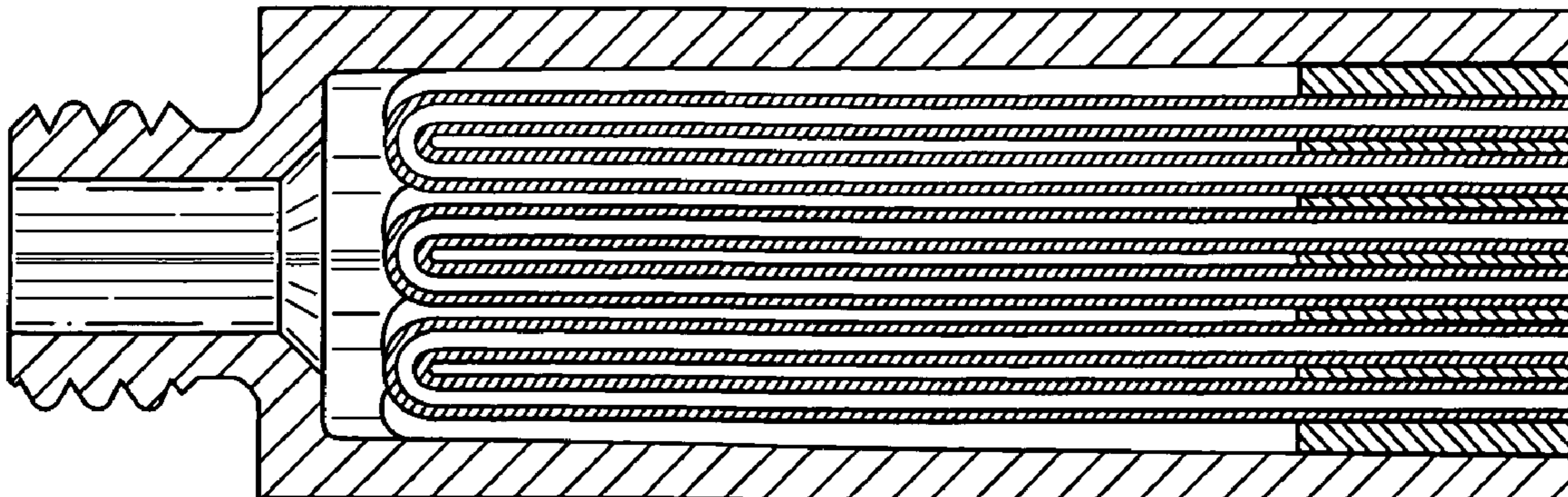


FIG. 8

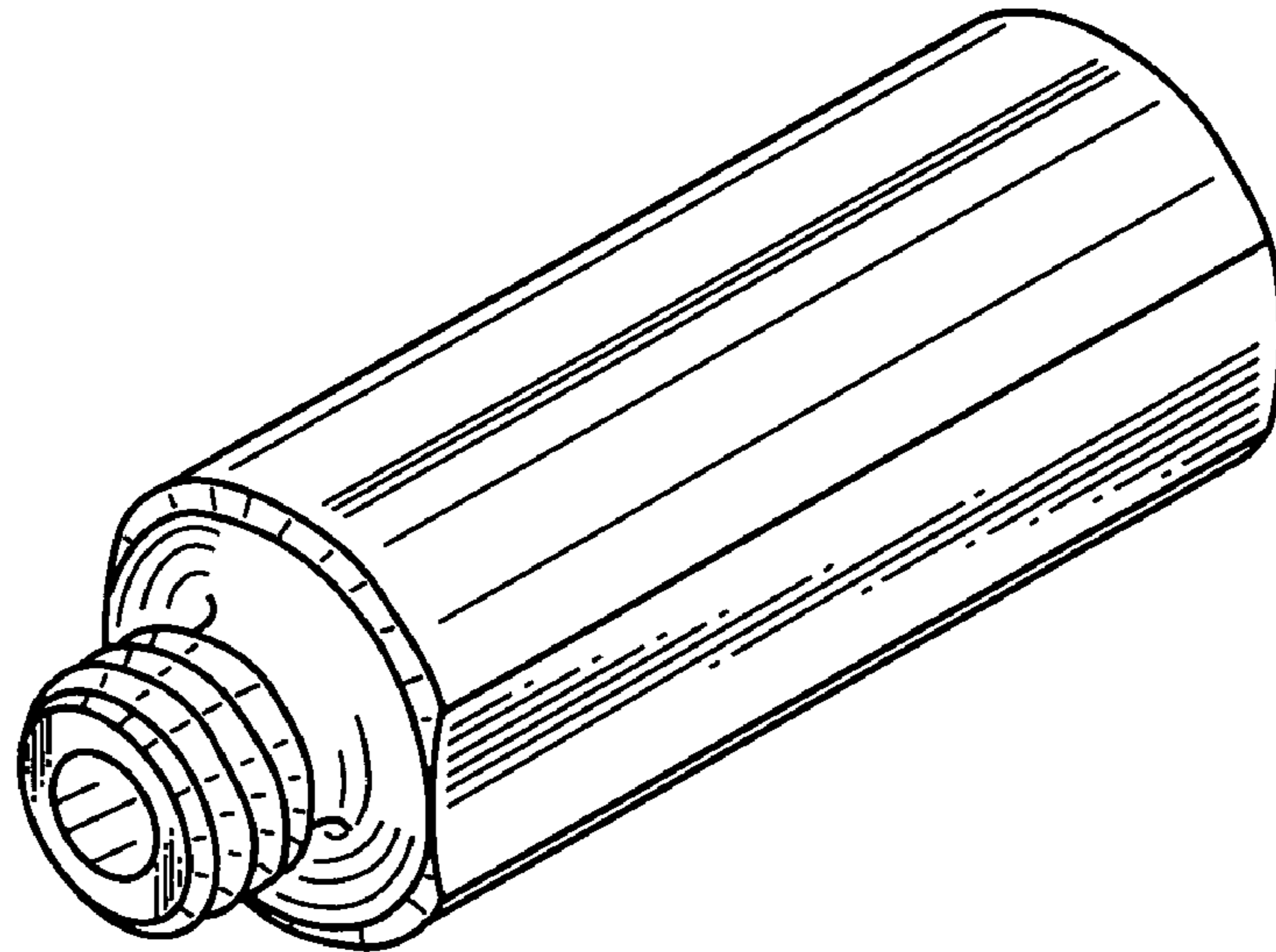


FIG. 9

