



US00D589599S

(12) **United States Design Patent**
Castrillo

(10) **Patent No.:** **US D589,599 S**
(45) **Date of Patent:** **** Mar. 31, 2009**

(54) **GUTTER OUTLET DROP**

(74) *Attorney, Agent, or Firm*—Cantor Colburn LLP

(76) Inventor: **Jose Luis Perez Castrillo**, Opladener
Strasse 54, 42799 Leichlingen (DE)

(57) **CLAIM**

The ornamental design for the gutter outlet drop, as shown and described.

(**) Term: **14 Years**

(21) Appl. No.: **29/240,499**

DESCRIPTION

(22) Filed: **Oct. 13, 2005**

(51) **LOC (9) Cl.** **23-01**

(52) **U.S. Cl.** **D23/267**

(58) **Field of Classification Search** D23/259–269;
52/11, 16; 285/183, 162, 335, 424; 137/357;
404/2

See application file for complete search history.

FIG. 1 is a front view of a first embodiment of the gutter outlet drop, showing my new design;

FIG. 2 is a back view thereof;

FIG. 3 is a left side view thereof, the right side view being a mirror image thereof;

FIG. 4 is a top view thereof;

FIG. 5 is a bottom view thereof;

FIG. 6 is a perspective view thereof; and

FIG. 7 is a perspective view thereof.

FIG. 8 is a front view of a second embodiment of the gutter outlet drop, showing my new design;

FIG. 9 is a back view thereof;

FIG. 10 is a left side view thereof, the right side view being a mirror image thereof;

FIG. 11 is a top view thereof;

FIG. 12 is a bottom view thereof;

FIG. 13 is a perspective view thereof; and,

FIG. 14 is a perspective view thereof.

(56) **References Cited**

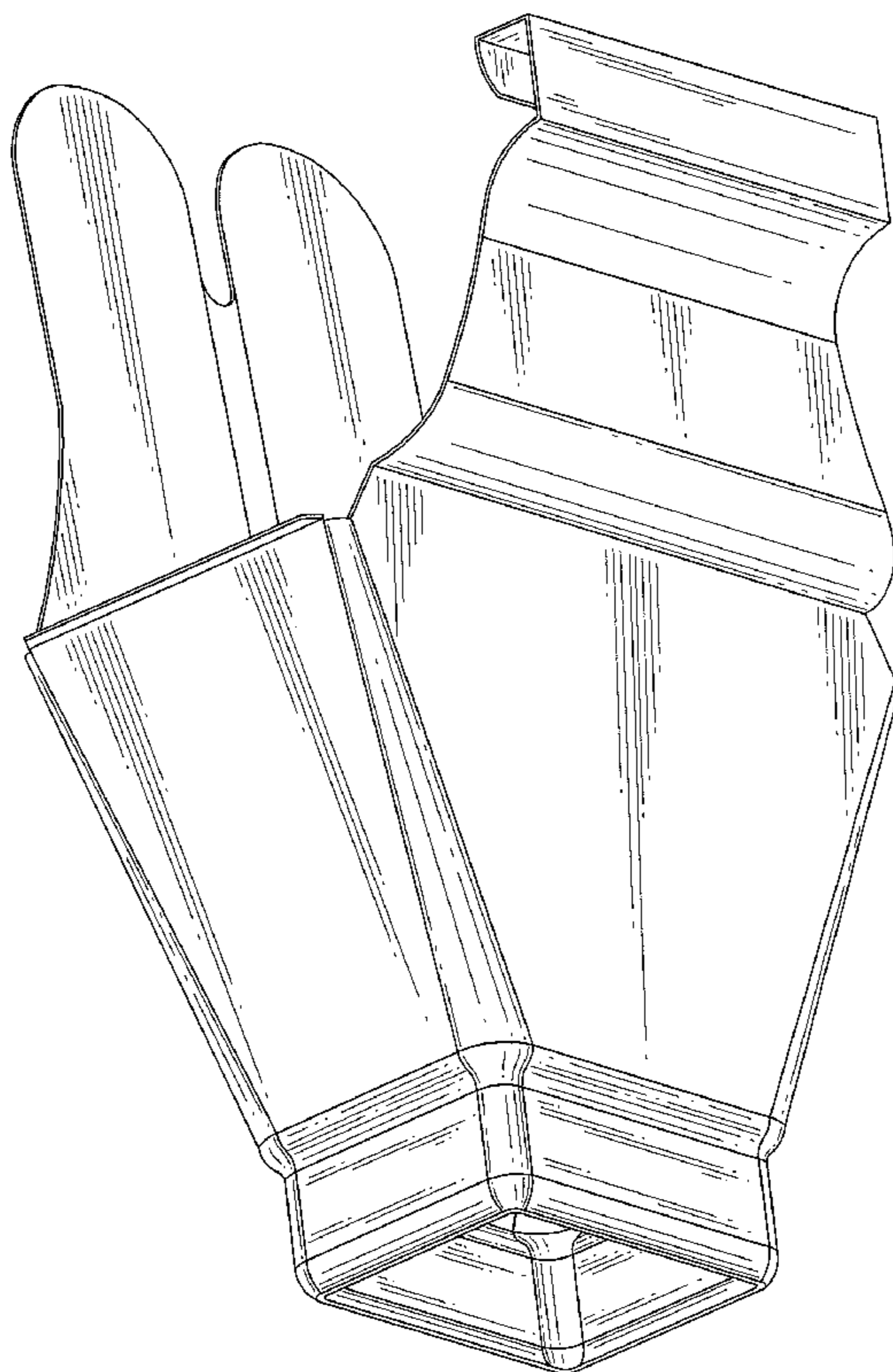
U.S. PATENT DOCUMENTS

D230,597 S *	3/1974	Settle	D23/262
4,619,554 A *	10/1986	Walker et al.	405/120
6,125,593 A *	10/2000	Randolph et al.	52/16
6,431,611 B1 *	8/2002	Andersen	285/183
D482,433 S *	11/2003	Sawyer	D23/267
7,096,627 B2 *	8/2006	Wade	52/12
D528,646 S *	9/2006	Stout, Jr.	D23/393
D537,934 S *	3/2007	Crook	D23/393

* cited by examiner

Primary Examiner—T. Chase Nelson
Assistant Examiner—Eric L Goodman

1 Claim, 14 Drawing Sheets



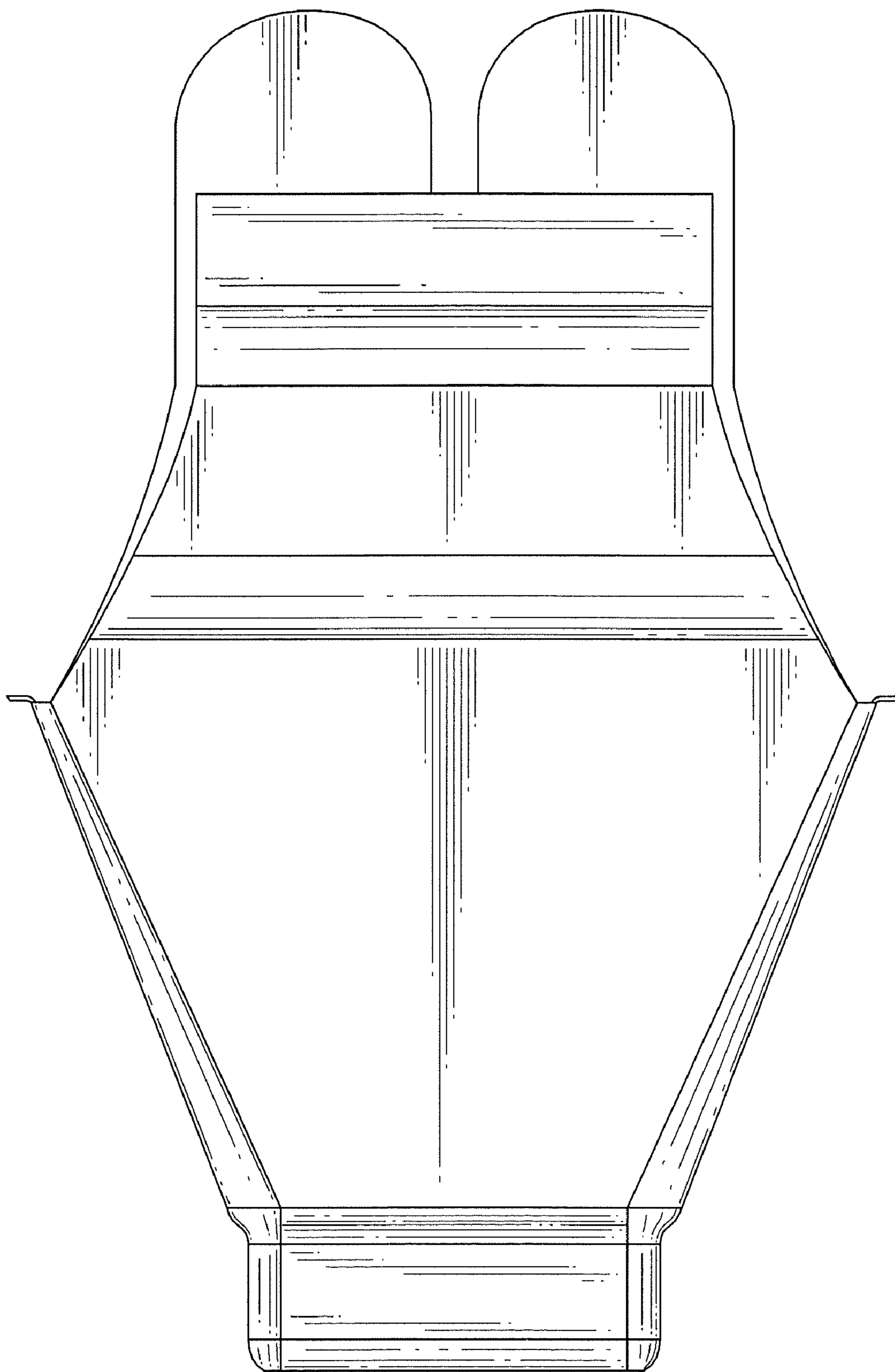


FIG. 1

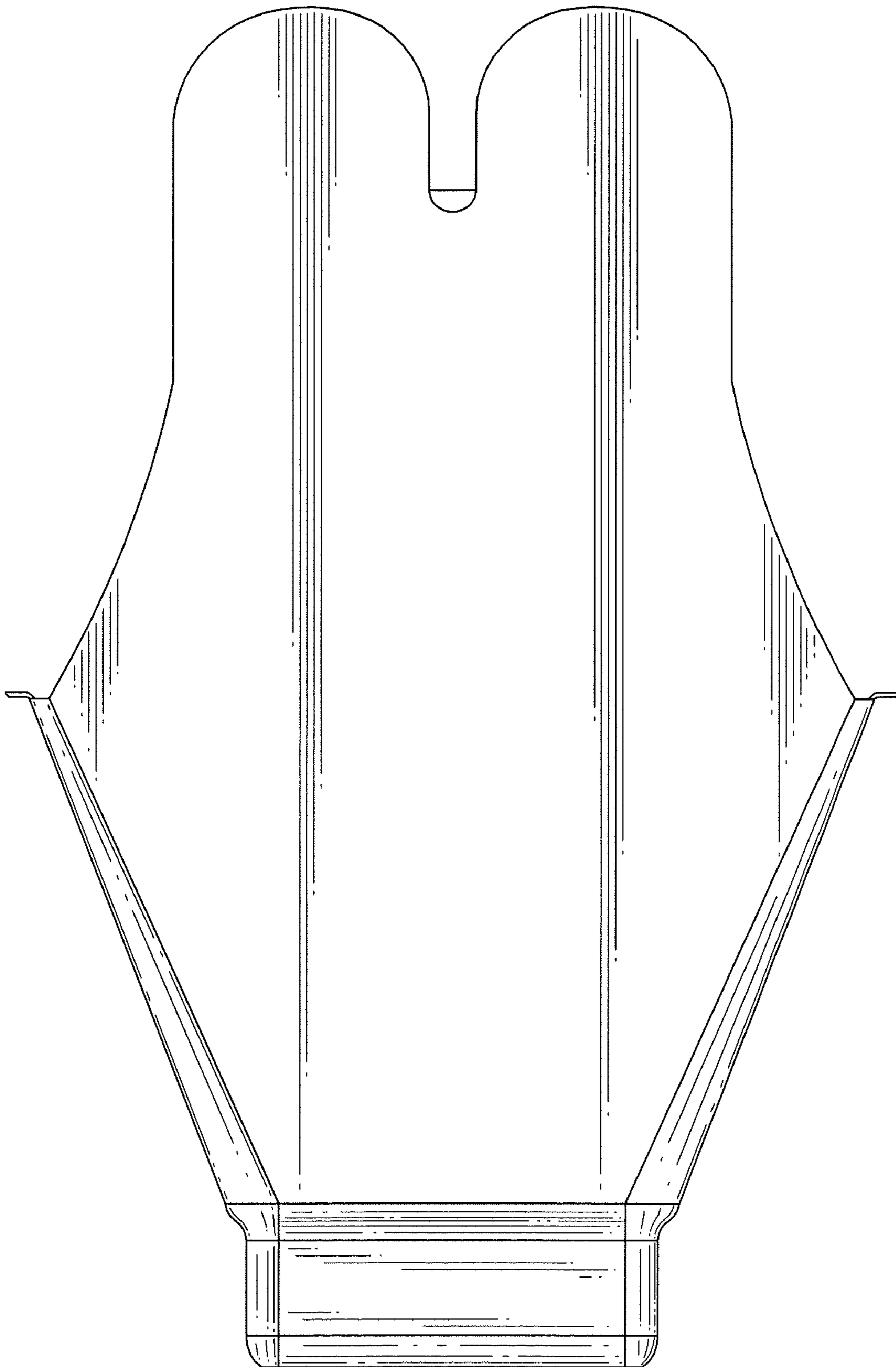


FIG. 2

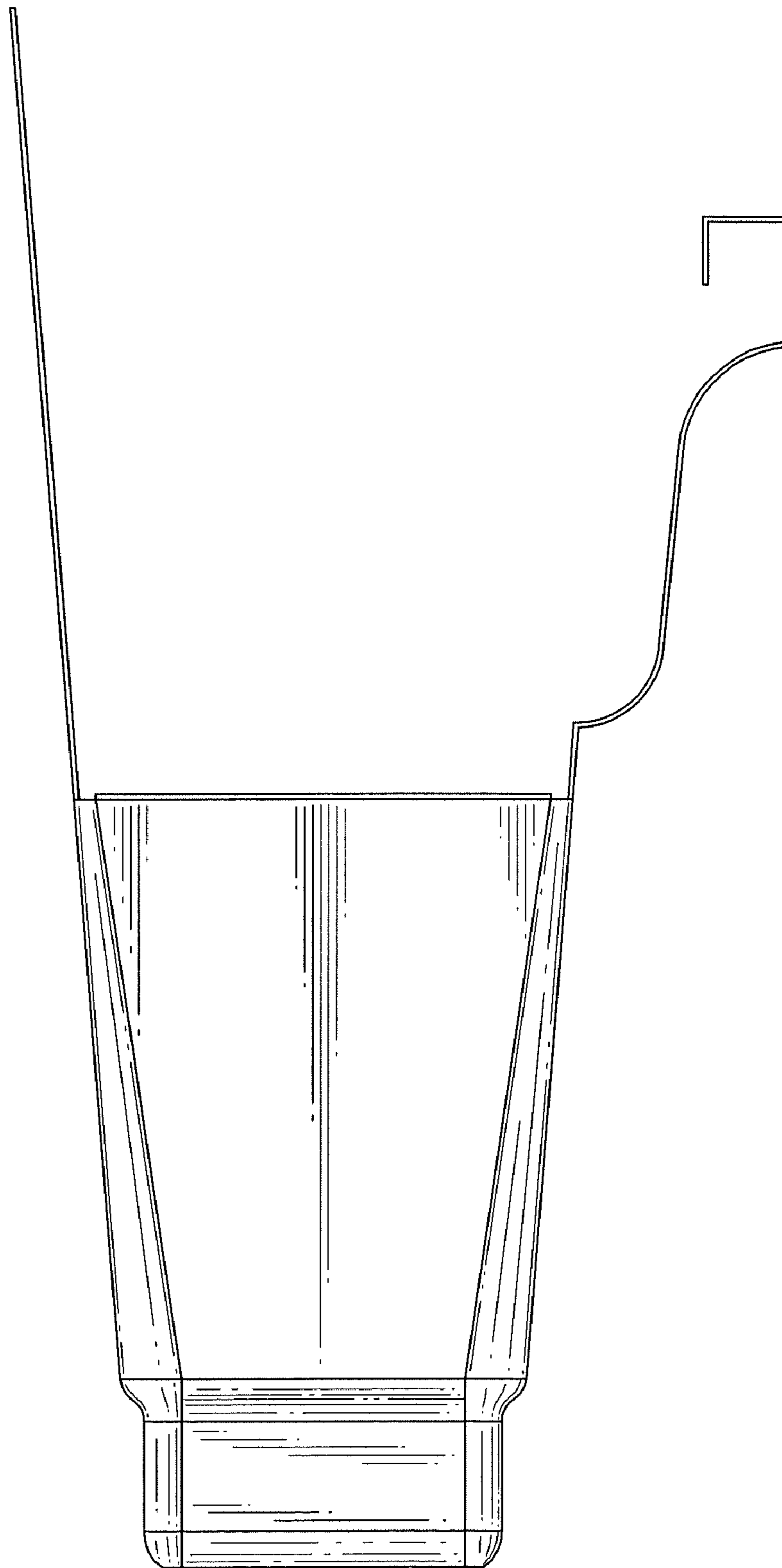


FIG. 3

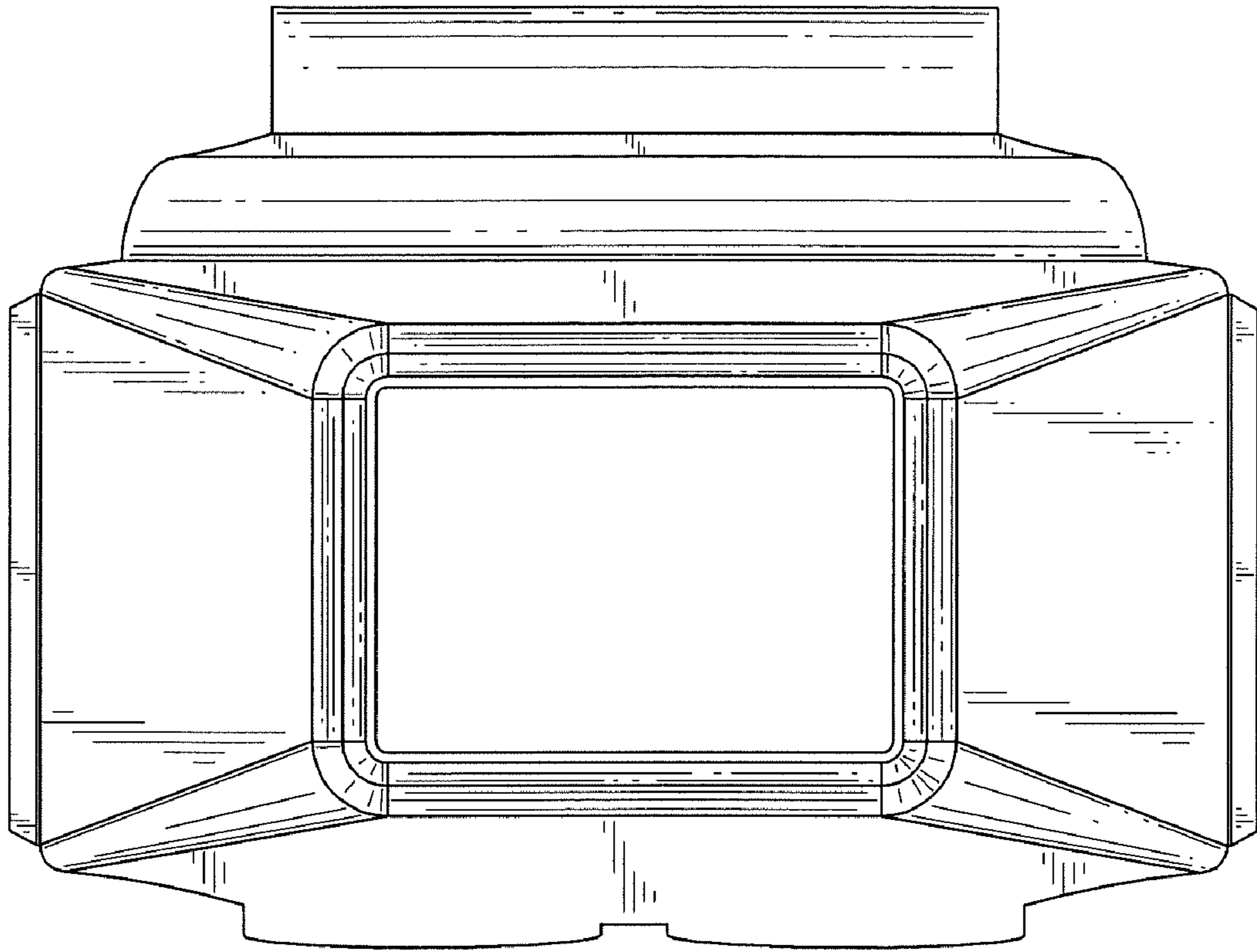


FIG. 4

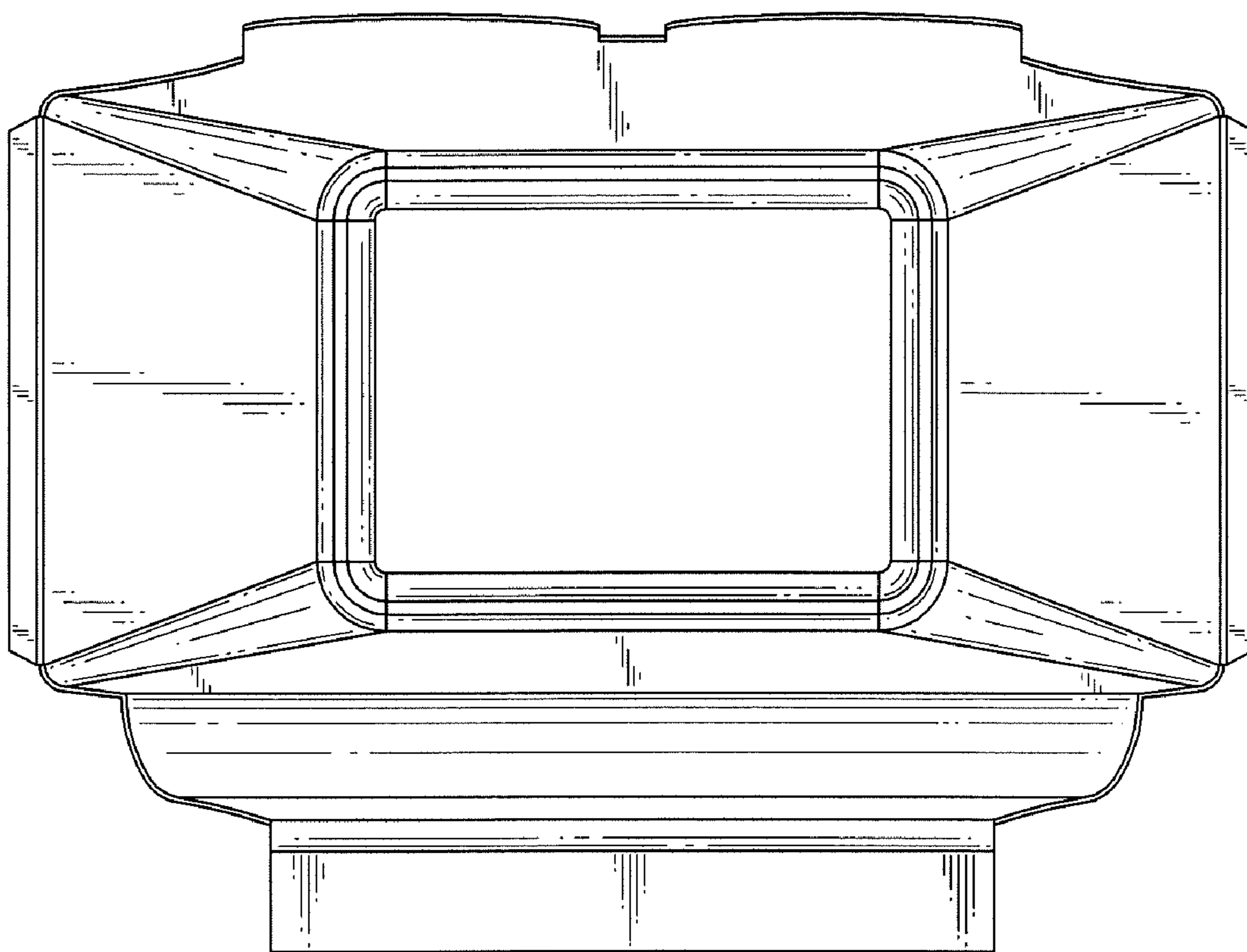


FIG. 5

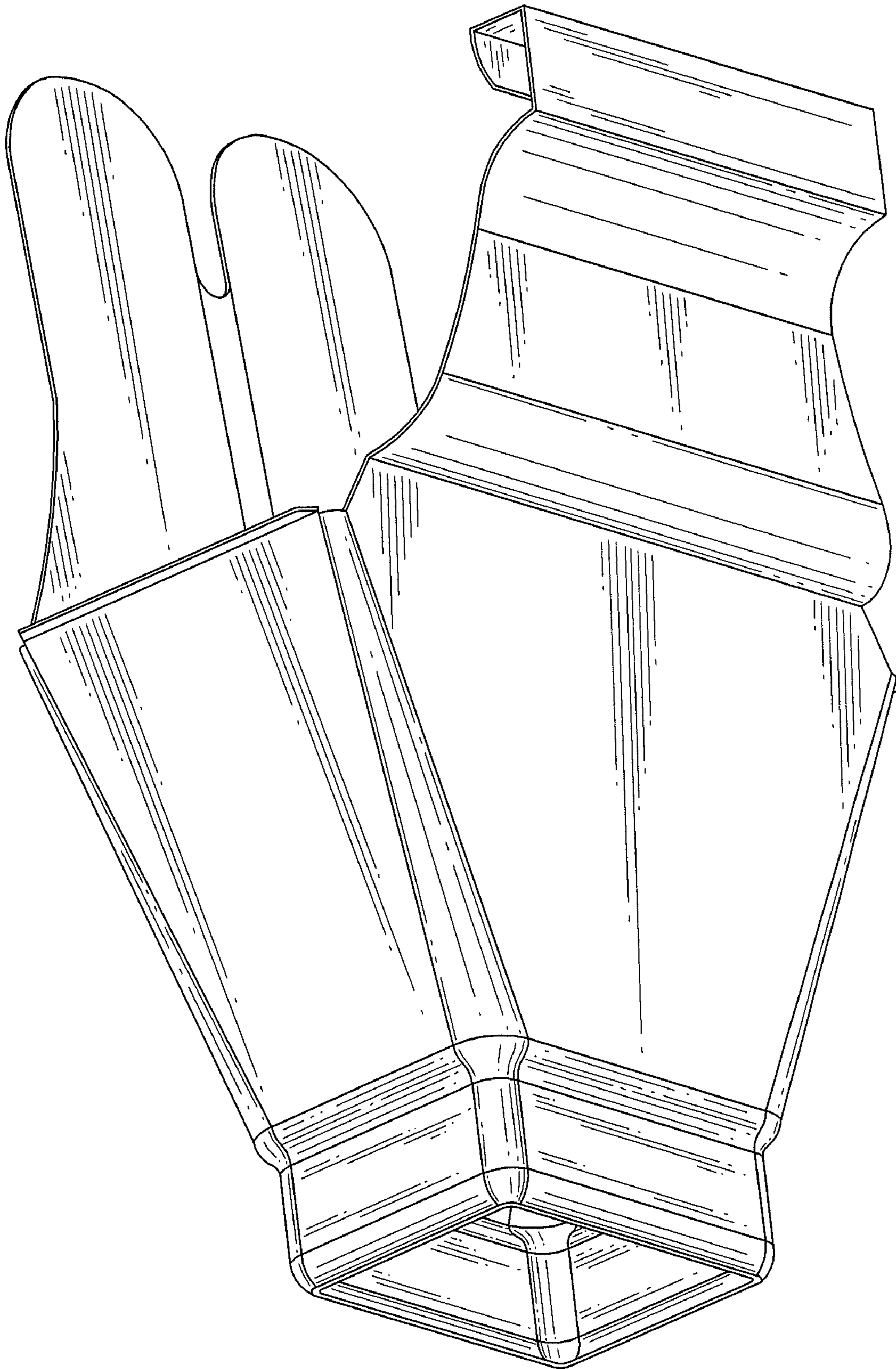


FIG. 6

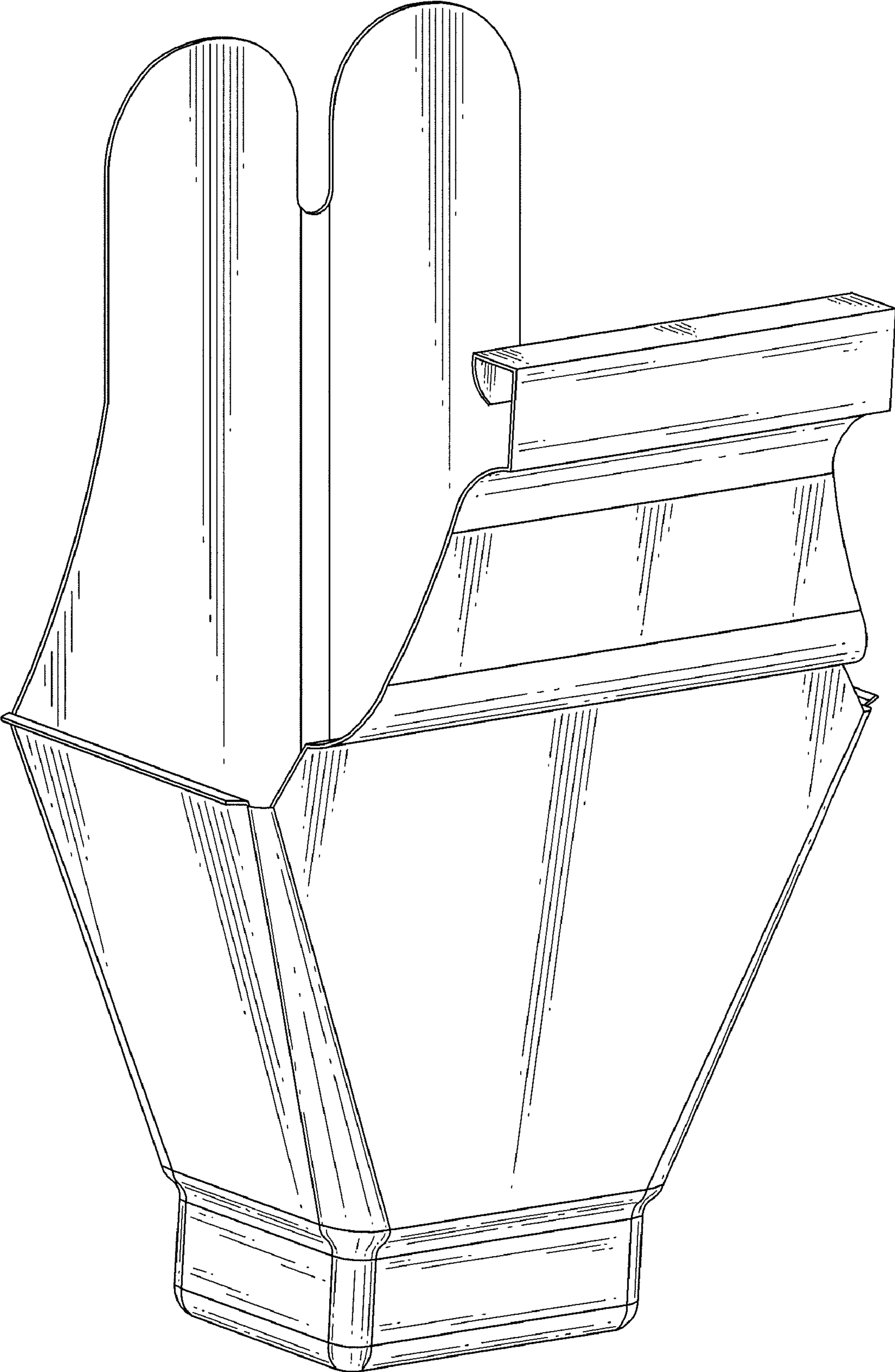


FIG. 7

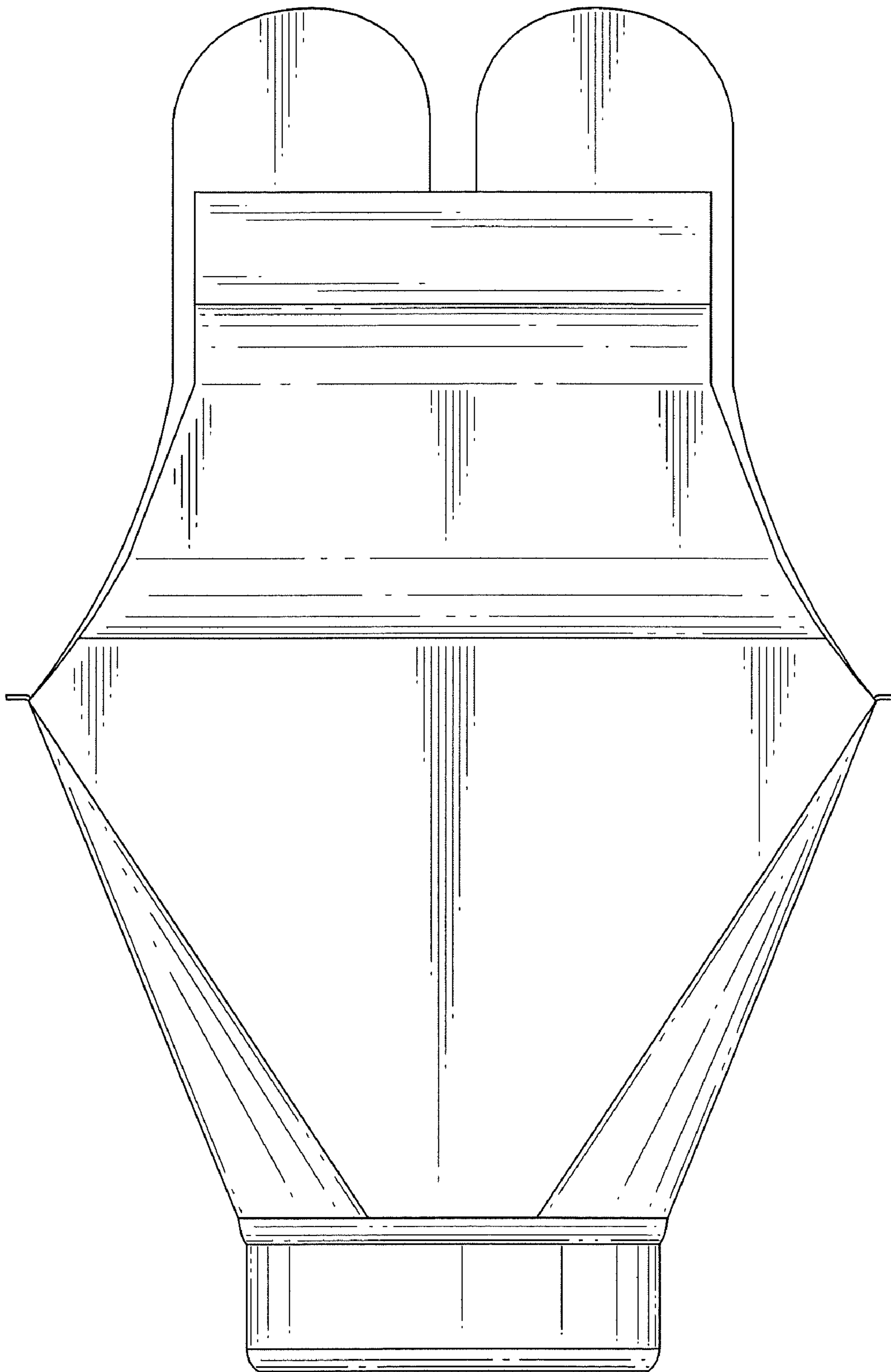


FIG. 8

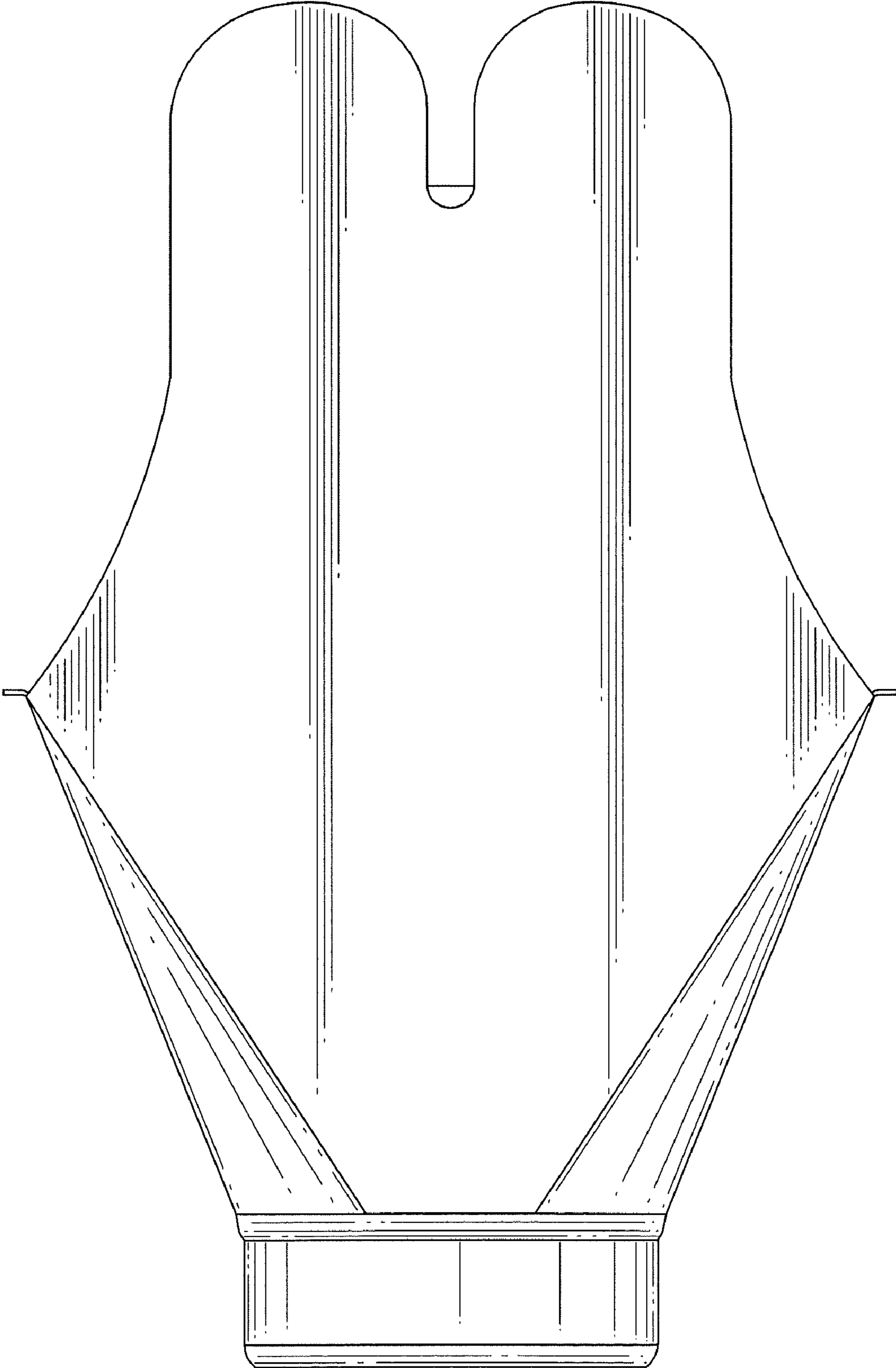


FIG. 9

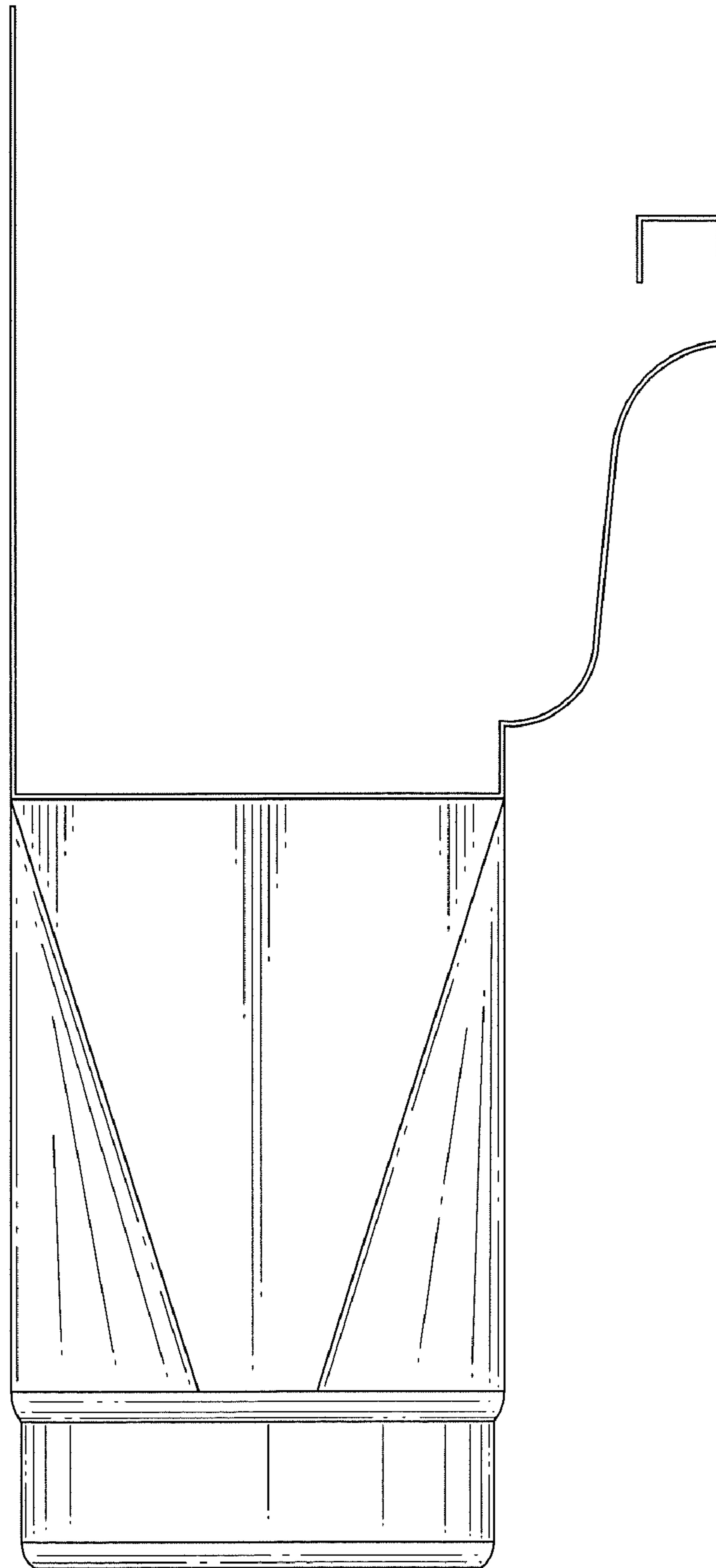


FIG. 10

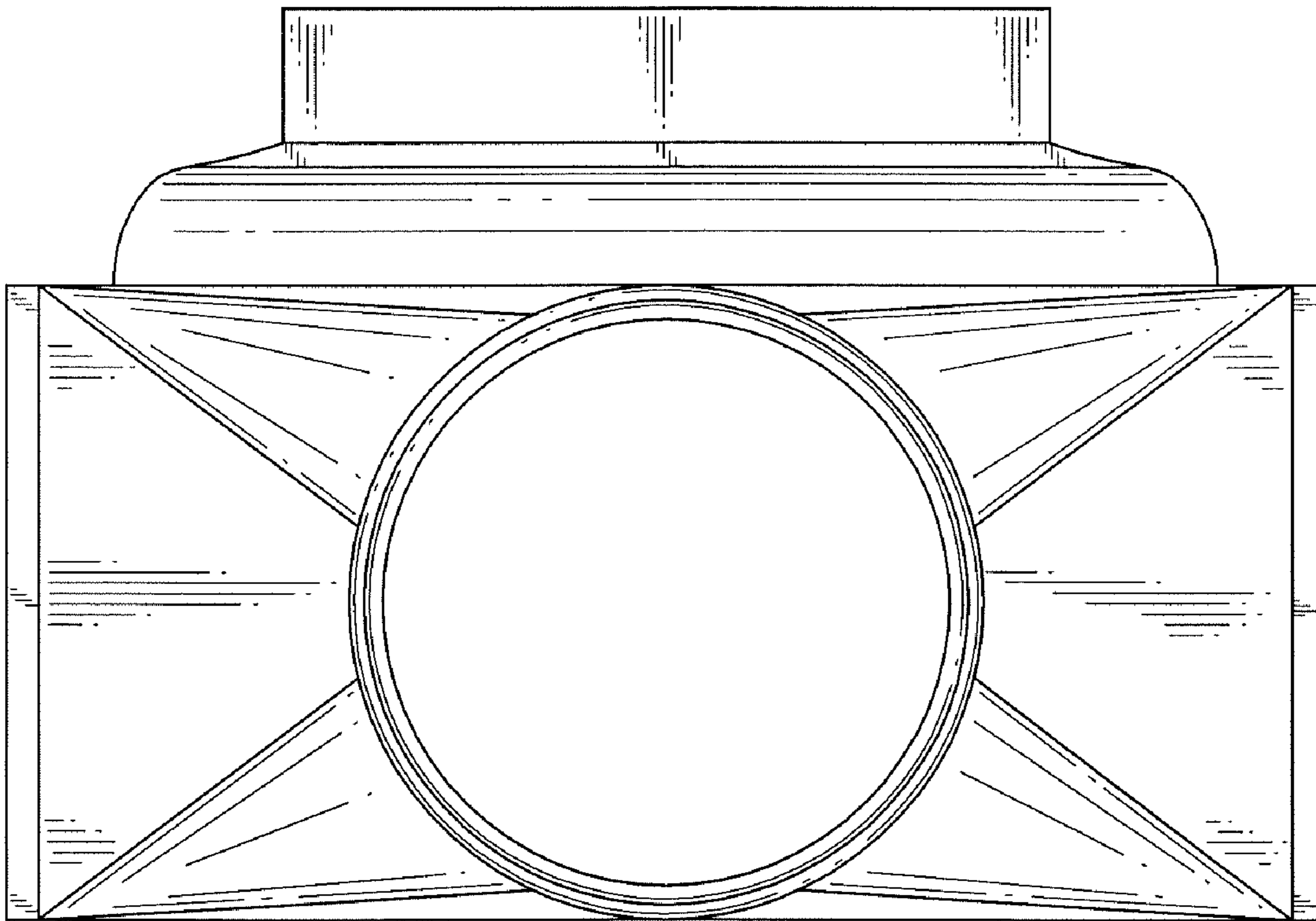


FIG. 11

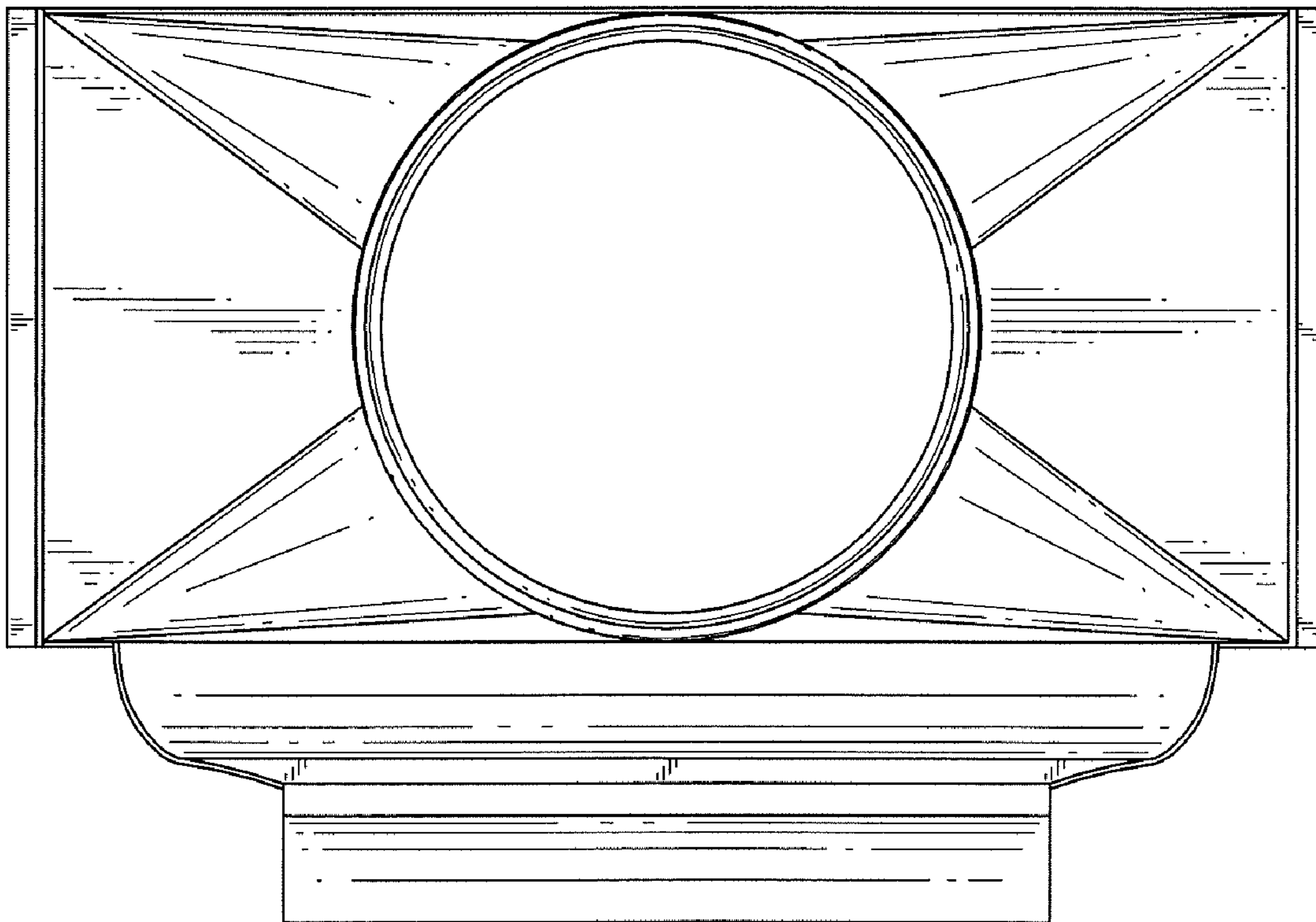


FIG. 12

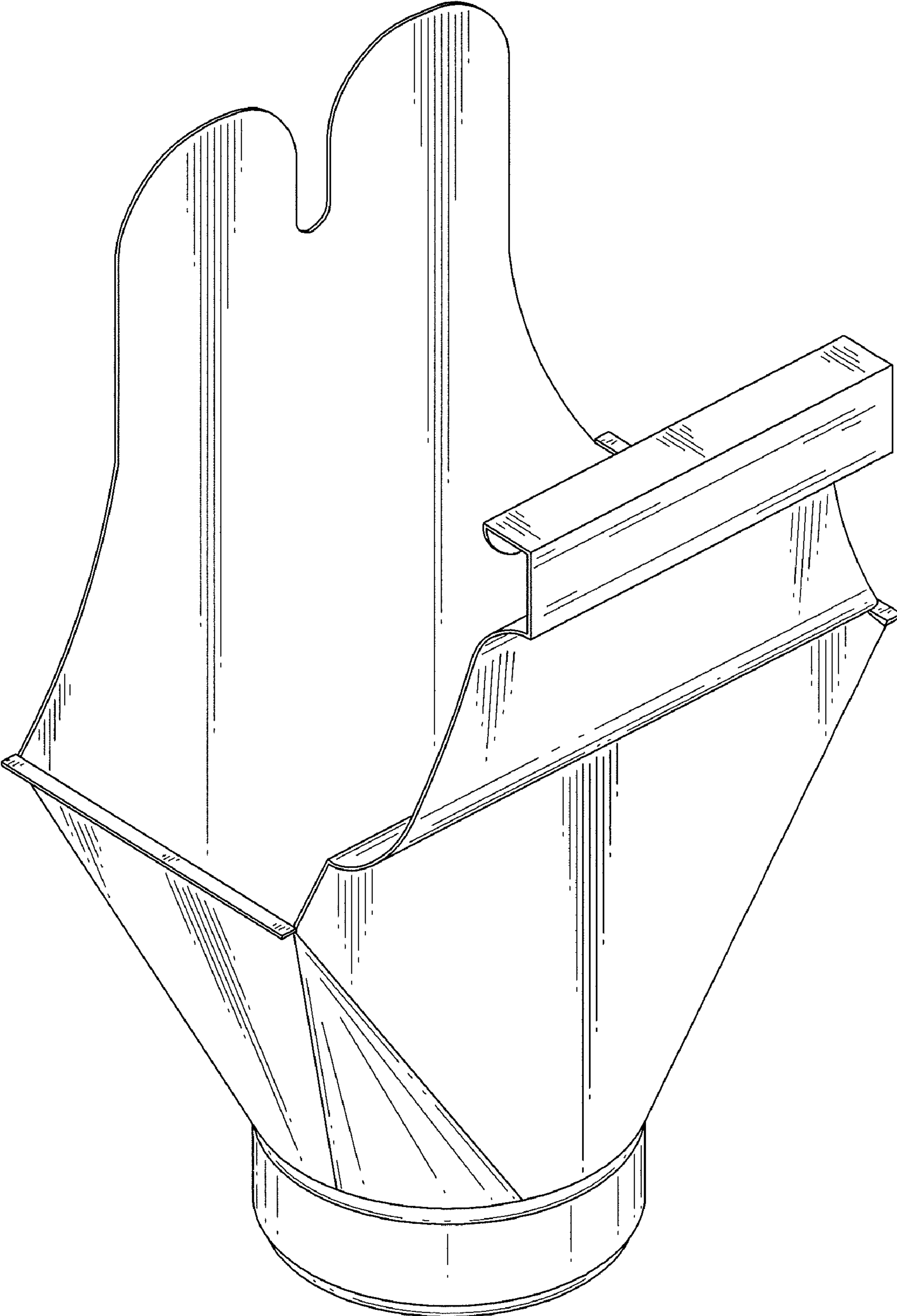


FIG. 13

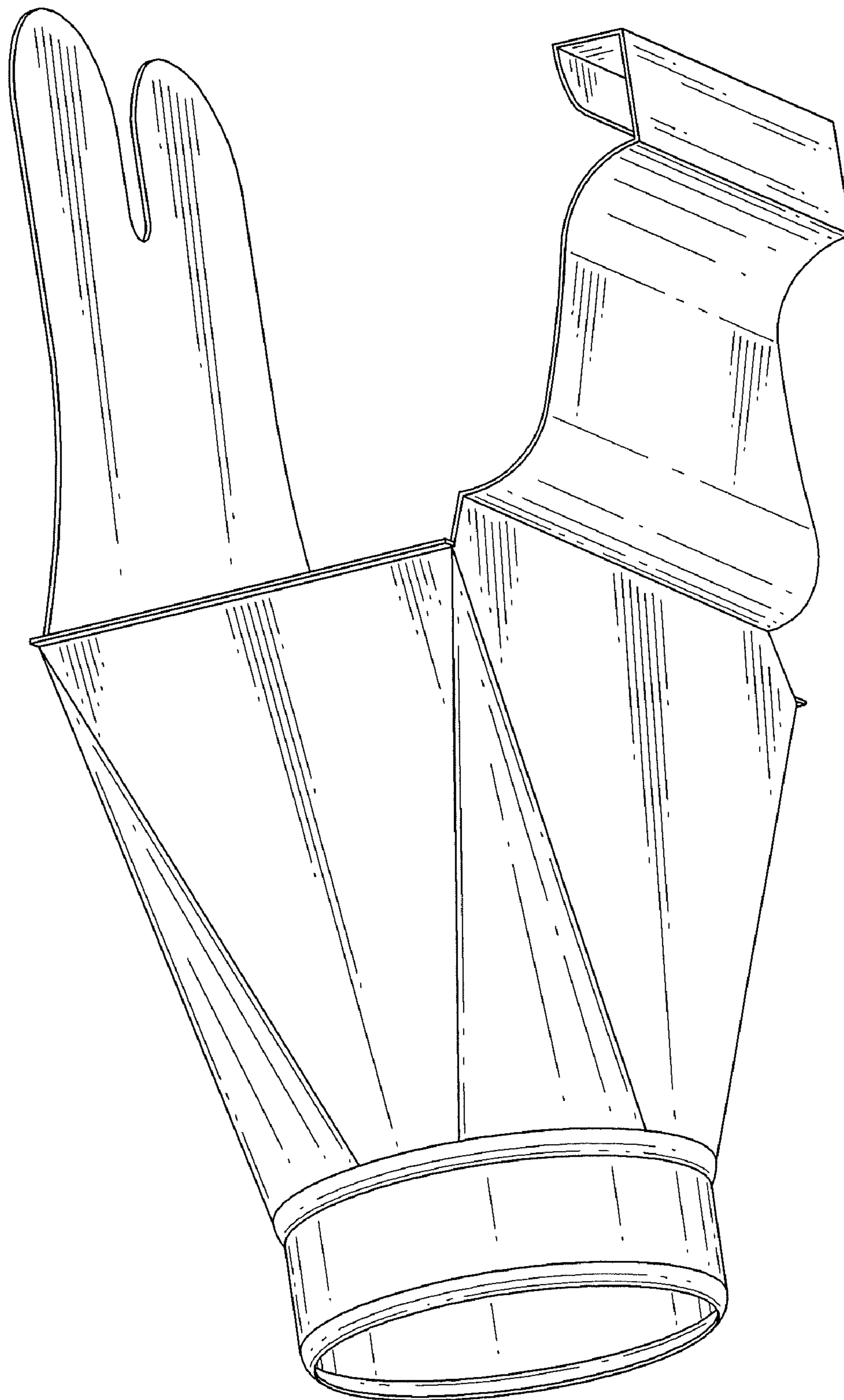


FIG. 14