



US00D589598S

(12) **United States Design Patent**  
**Montgomery et al.**

(10) **Patent No.:** **US D589,598 S**  
(45) **Date of Patent:** **\*\* Mar. 31, 2009**

(54) **PLUMBING FITTING**

D535,725 S 1/2007 Chu

(75) Inventors: **Howard M. Montgomery**, Sheboygan, WI (US); **Coralee S. Sandee**, Sheboygan, WI (US); **Michael Furseth**, Sheboygan Falls, WI (US); **Herbert V. Kohler, Jr.**, Kohler, WI (US)

(73) Assignee: **Kohler Co.**, Kohler, WI (US)

(\*\*) Term: **14 Years**

(21) Appl. No.: **29/322,305**

(22) Filed: **Aug. 1, 2008**

**Related U.S. Application Data**

(62) Division of application No. 29/279,419, filed on Apr. 30, 2007, now Pat. No. Des. 579,523.

(51) **LOC (9) Cl.** ..... **23-01**

(52) **U.S. Cl.** ..... **D23/250**

(58) **Field of Classification Search** ..... D23/250,  
D23/252-254, 238-243, 244-249; 4/675-678;  
D8/300, 307-308; D6/550; 136/801; 16/110.1,  
16/441

See application file for complete search history.

(56) **References Cited**

**U.S. PATENT DOCUMENTS**

D317,386 S	6/1991	McKeone
D318,099 S	7/1991	Reid
D322,841 S	12/1991	Kohler, Jr. et al.
D477,386 S	7/2003	Schonherr et al.
D487,499 S	3/2004	Zhao
D505,714 S	5/2005	Dretzka
D517,662 S	3/2006	Mullenmeister
D518,558 S	4/2006	Soriano
D518,880 S	4/2006	Singtoroj
D522,633 S	6/2006	Hoernig

**OTHER PUBLICATIONS**

Kallista. "Michael S. Smith Loft Basin Set, Lever Handles". Model No. P23000-LV. Kallista online catalog. Copyright © 2007 Kallista. Sterling. "The New Horizon Collection". Sterling catalog, p. 9. Kohler Co. "Memoirs Centerset Lavatory Faucet with Stately Design." Model No. K-452-4V. Kohler Co. online catalog. Copyright 2007 Kohler Co. Kohler Co. "Bravura Series". Model Nos. K-6846, K-6847, K-6848. Kohler catalog. Kohler Co. Revival widespread lavatory faucet with traditional lever handles. Kohler Co. online catalog. Model No. K-16102-4A. Copyright 2007 Kohler Co.

*Primary Examiner*—Robert A Delehanty

(74) *Attorney, Agent, or Firm*—Quarles & Brady LLP

(57) **CLAIM**

The ornamental design for a plumbing fitting, as shown and described.

**DESCRIPTION**

In a preferred embodiment, the nature of this product is a plumbing fitting in the form of a handle and valve body bonnet for a faucet.

FIG. 1 is a left, top, front perspective view of a plumbing fitting according to our new design;

FIG. 2 is a front elevational view thereof, the rear elevational view thereof being a mirror image of the front view shown;

FIG. 3 is a left side elevational view thereof;

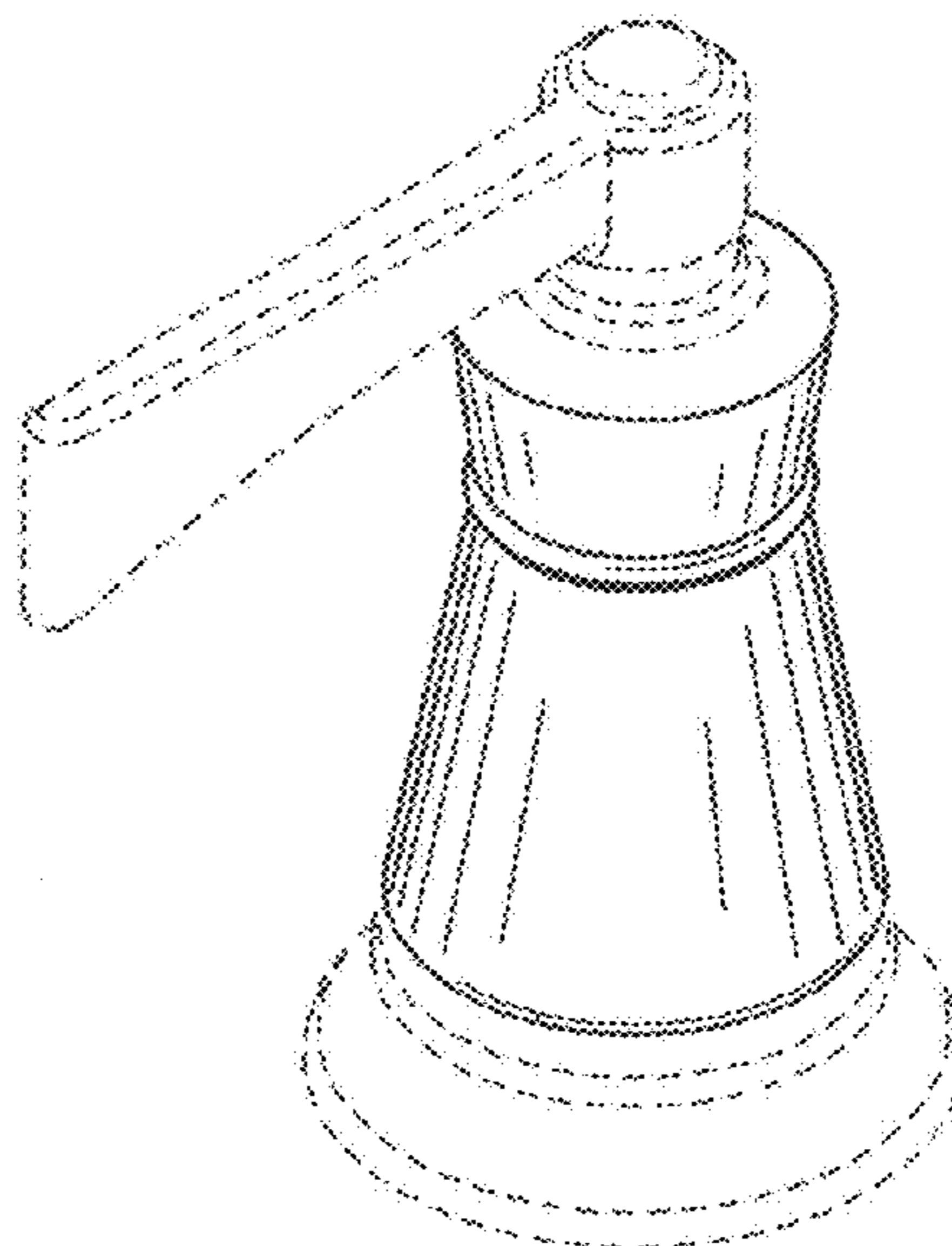
FIG. 4 is a right side elevational view thereof;

FIG. 5 is a top plan view thereof; and,

FIG. 6 is a bottom plan view thereof.

The broken line representations in the figures are for the purpose of illustration only, and form no part of the claimed design.

**1 Claim, 3 Drawing Sheets**



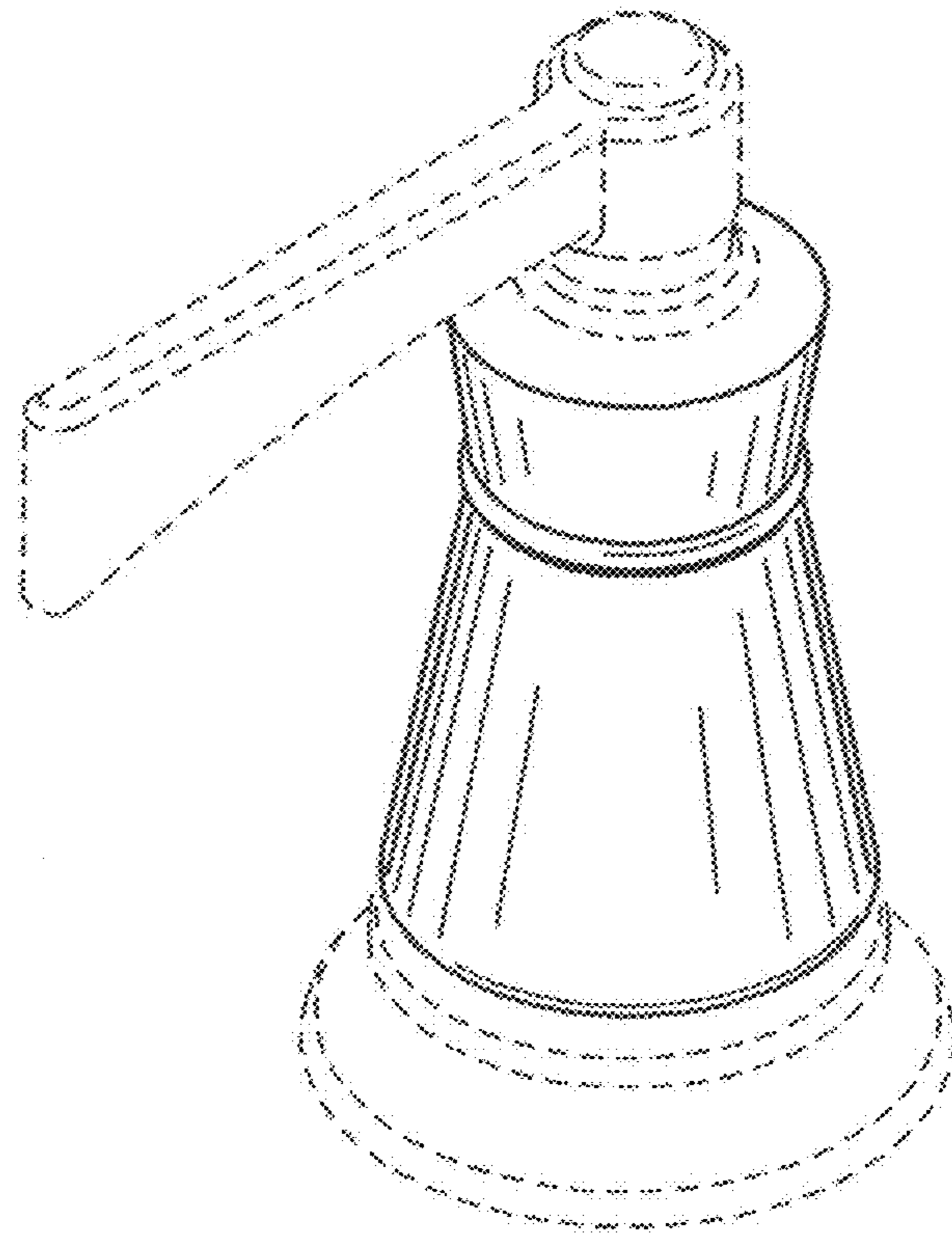


FIG. 1

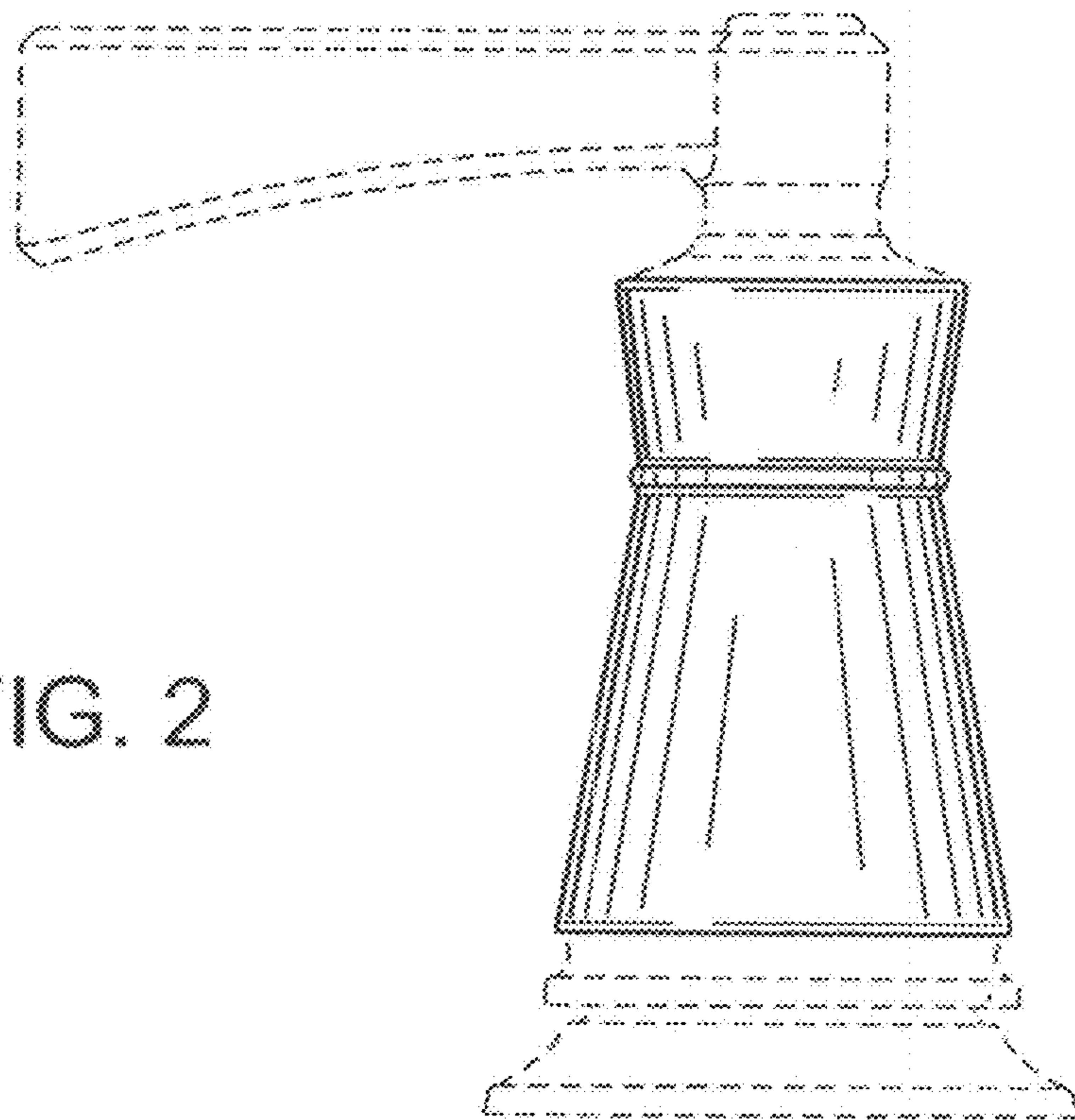


FIG. 2

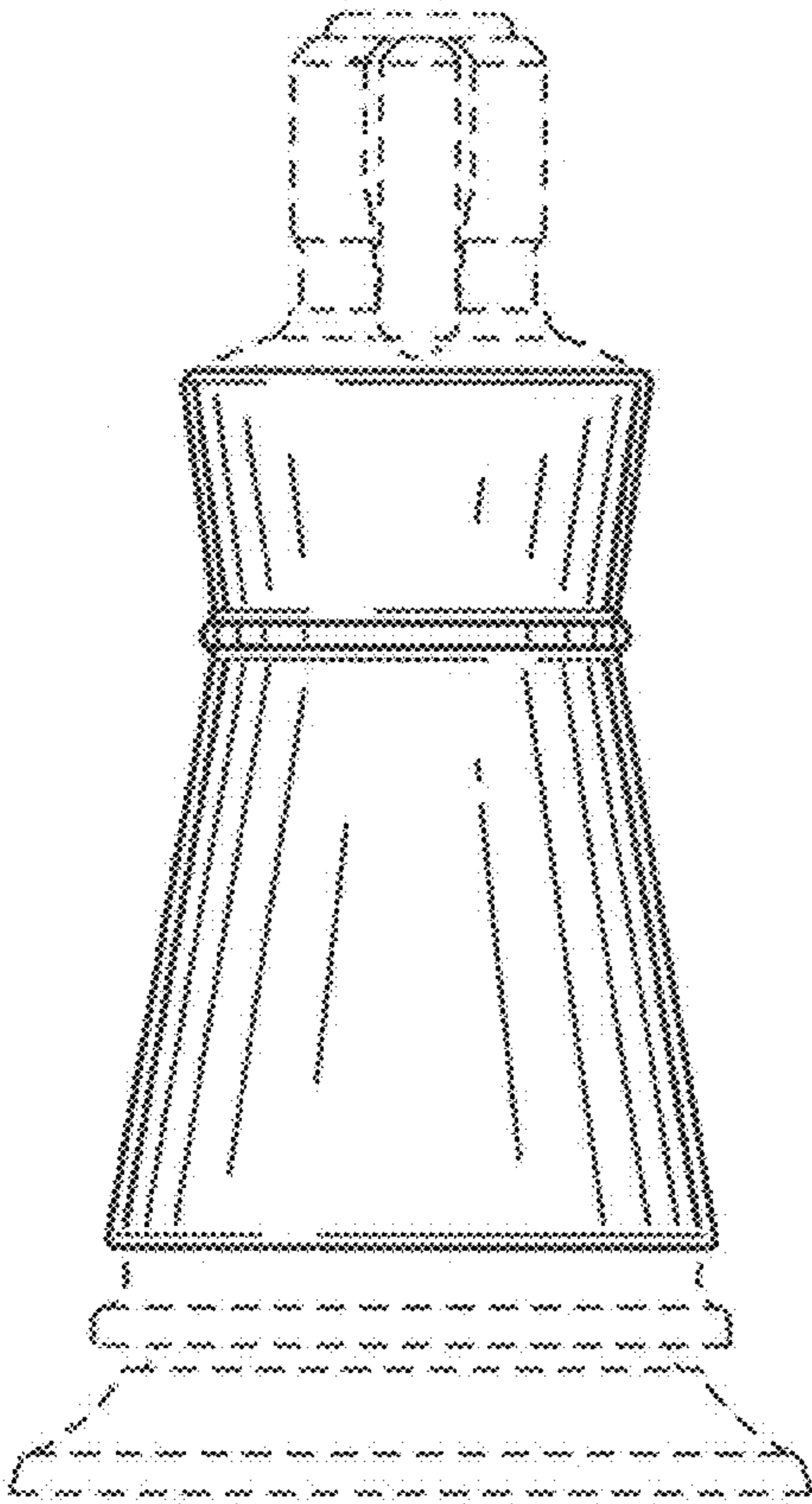
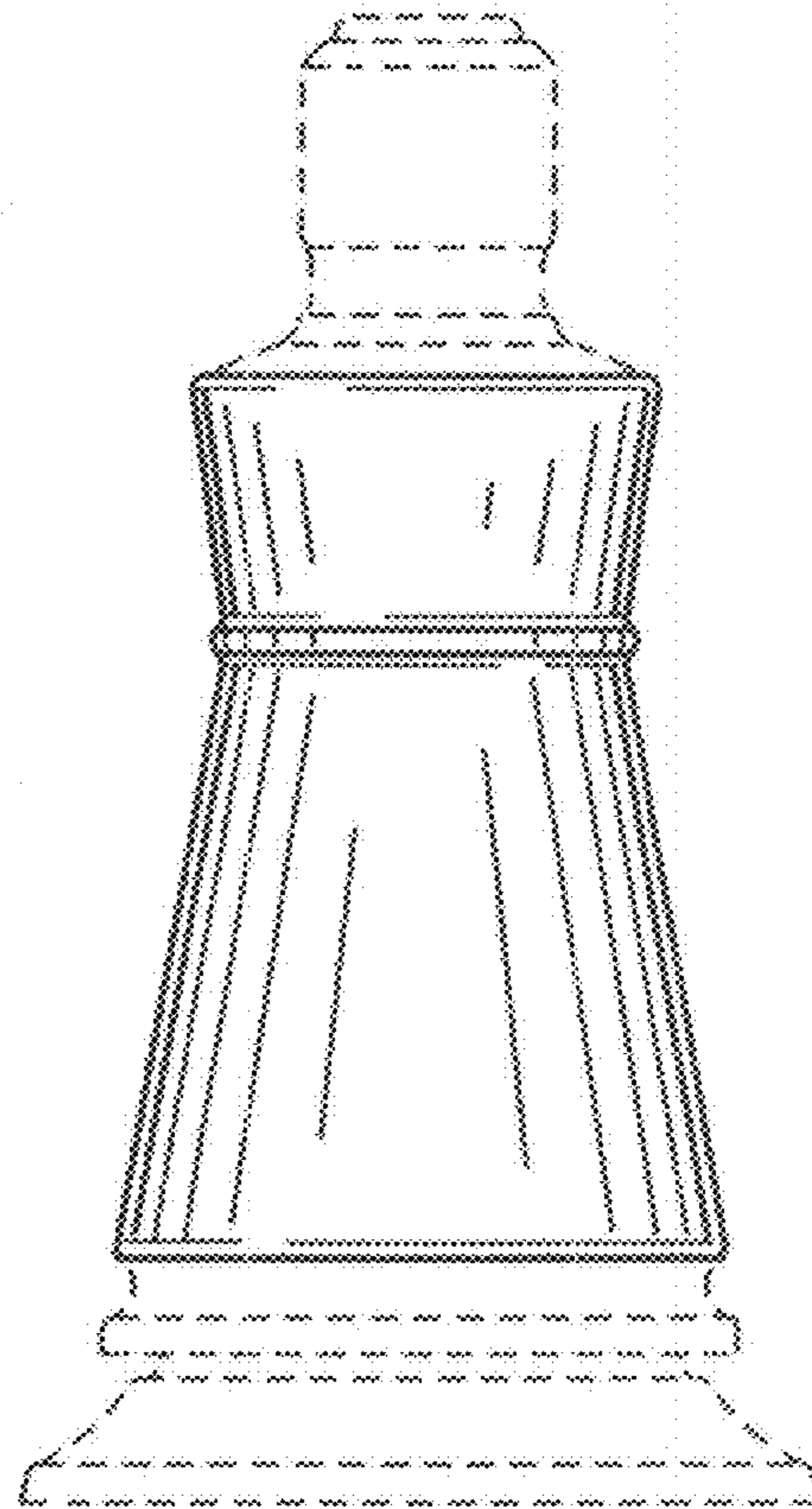


FIG. 3

FIG. 4





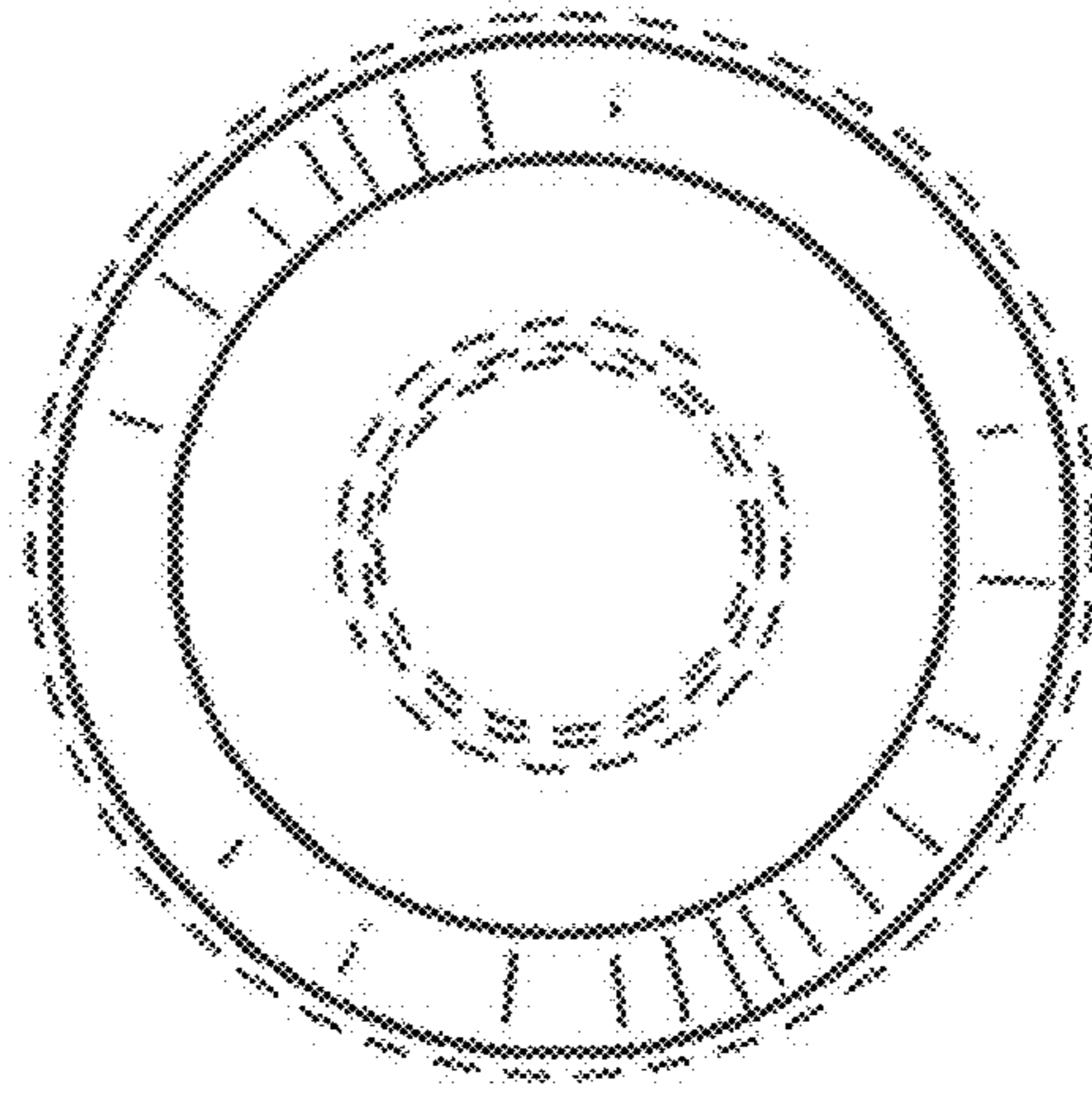


FIG. 5

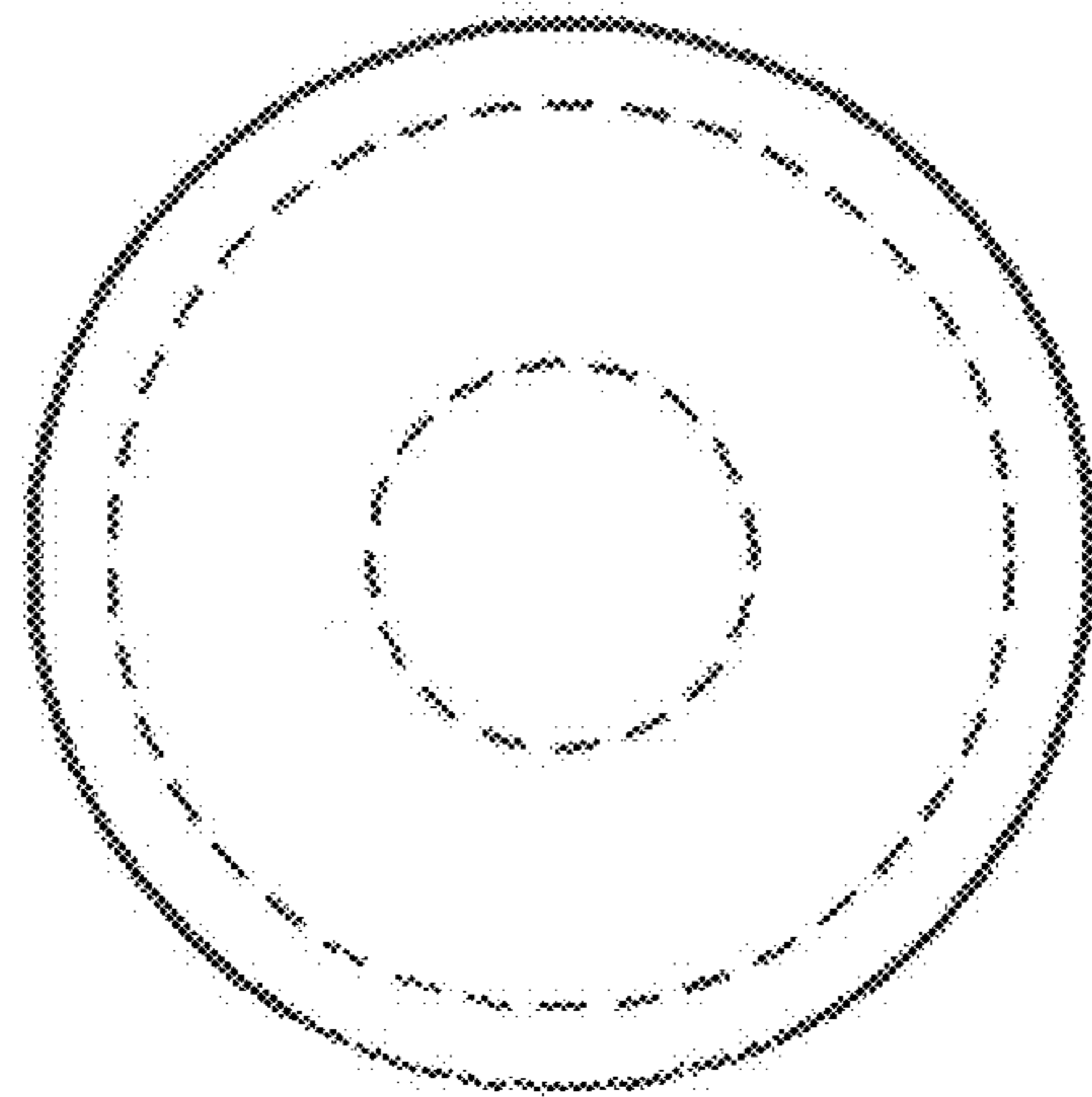


FIG. 6