



US00D589594S

(12) **United States Design Patent**
Lammel et al.

(10) **Patent No.:** **US D589,594 S**
(45) **Date of Patent:** **** Mar. 31, 2009**

(54) **FAUCET**

(75) Inventors: **Michael Lammel**, Aachen (DE);
Michael Zeisel, Aachen (DE)

(73) Assignee: **KWC AG**, Unterkulm (CH)

(**) Term: **14 Years**

(21) Appl. No.: **29/287,563**

(22) Filed: **Aug. 23, 2007**

(30) **Foreign Application Priority Data**

Feb. 23, 2007 (CH) 133696

(51) **LOC (9) Cl.** **23-01**

(52) **U.S. Cl.** **D23/238**

(58) **Field of Classification Search** D23/200,
D23/238-257; 4/675-678; 137/801
See application file for complete search history.

(56) **References Cited**

U.S. PATENT DOCUMENTS

D479,309 S	*	9/2003	Haug et al.	D23/238
D479,579 S	*	9/2003	Haug et al.	D23/238
D516,171 S	*	2/2006	Meylan	D23/238
D520,114 S	*	5/2006	Starck	D23/238
D526,389 S		8/2006	Lammel et al.		
D527,076 S	*	8/2006	Kolin et al.	D23/241
D528,635 S		9/2006	Lammel et al.		
D531,698 S	*	11/2006	Wood et al.	D23/238
D532,869 S	*	11/2006	Lobermeier et al.	D23/238
D534,622 S	*	1/2007	Chu et al.	D23/238
D534,990 S	*	1/2007	Zhou	D23/238
D538,402 S		3/2007	Lammel et al.		
D539,870 S		4/2007	Lammel et al.		
D550,813 S		9/2007	Lammel et al.		
D566,811 S	*	4/2008	Zhang	D23/238

OTHER PUBLICATIONS

U.S. Appl. No. 29/287,563, filed Aug. 23, 2007, Lammel et al.
U.S. Appl. No. 29/300,695, filed Apr. 28, 2008, Lammel et al.
U.S. Appl. No. 29/259,023, filed May 2, 2006, Lammel et al.
U.S. Appl. No. 29/276,813, filed Feb. 6, 2007, Lammel et al.

* cited by examiner

Primary Examiner—Robert A. Delehanty

Assistant Examiner—Mark Cavanna

(74) *Attorney, Agent, or Firm*—Oblon, Spivak, McClelland,
Maier & Neustadt, P.C.

(57) **CLAIM**

The new, original and ornamental design for a faucet, as shown in the drawings and described herein.

DESCRIPTION

FIG. 1 is a perspective rear view, from the top, right side of a faucet, showing the design thereof;

FIG. 2 is a perspective side view, from the front, left side of the faucet;

FIG. 3 is a top plan view of the faucet in a first position thereof;

FIG. 4 is a top plan view of the faucet in a second position thereof

FIG. 5 is a front elevational view of the faucet;

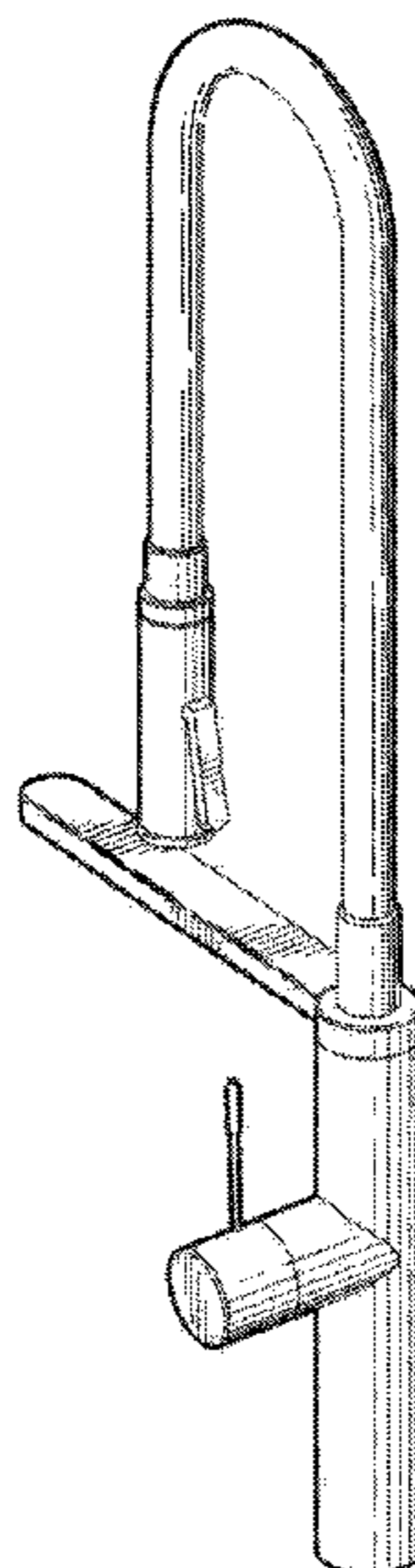
FIG. 6 is a side elevational view, from the left side of the faucet;

FIG. 7 is a side elevational view, from the right side of the faucet; and,

FIG. 8 is a perspective view to the right, from the bottom of the faucet.

The broken lines are included for the purpose of illustrating portions of the faucet that forms no part of the claimed design.

1 Claim, 7 Drawing Sheets



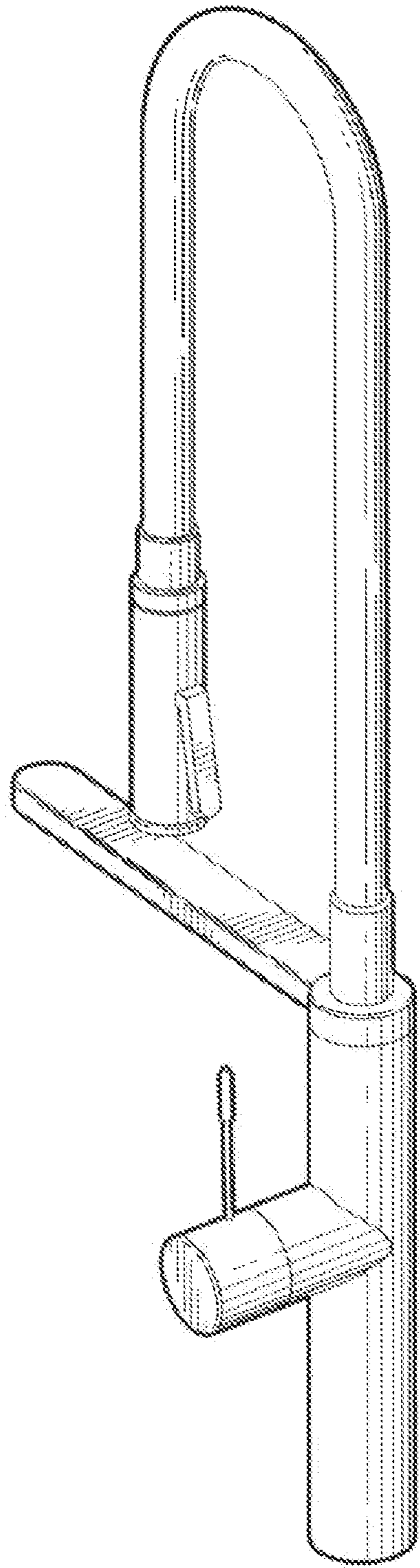


Fig. 1

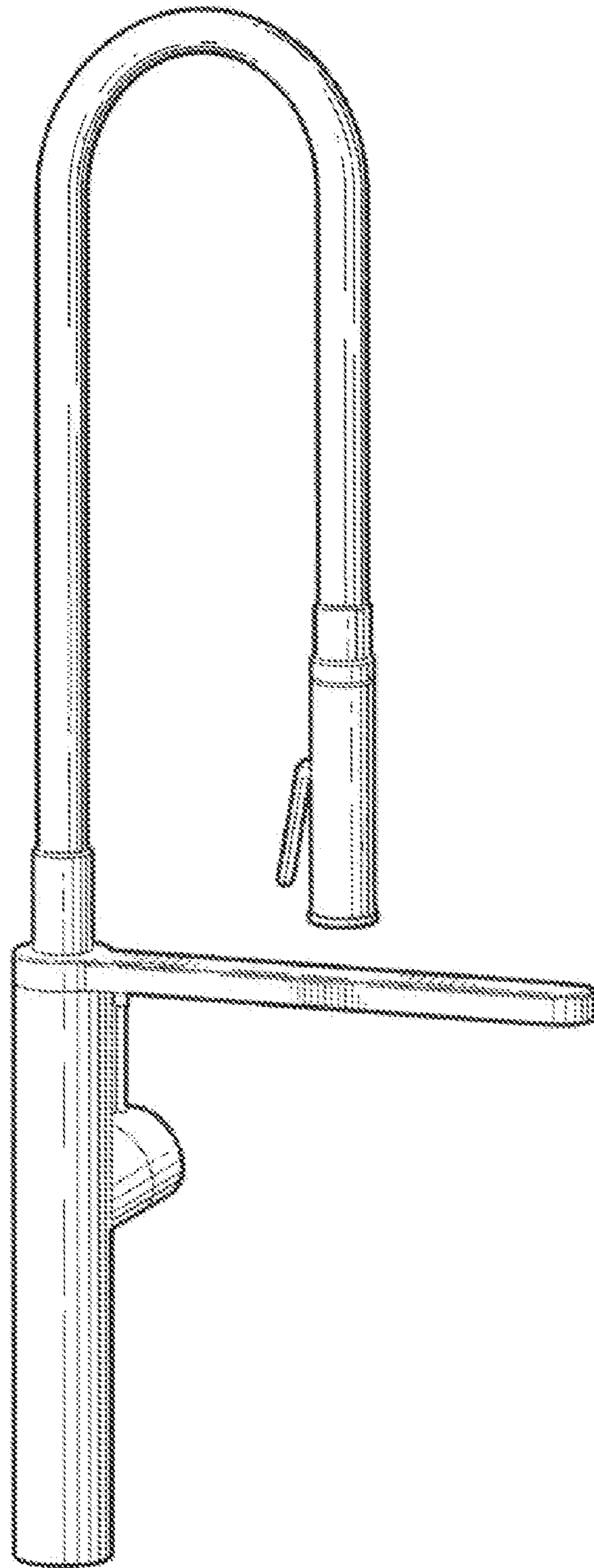


Fig. 2

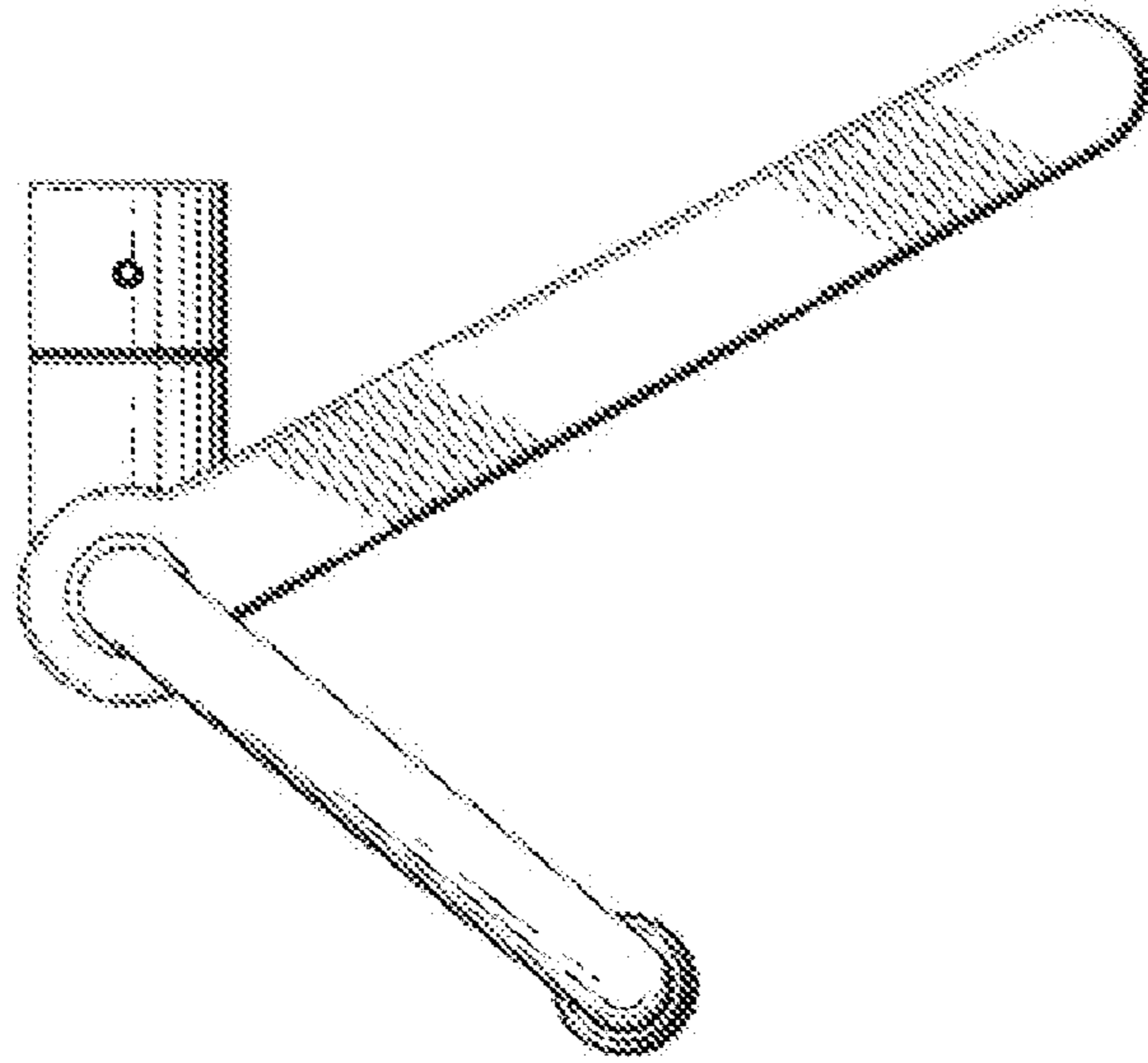


Fig. 3

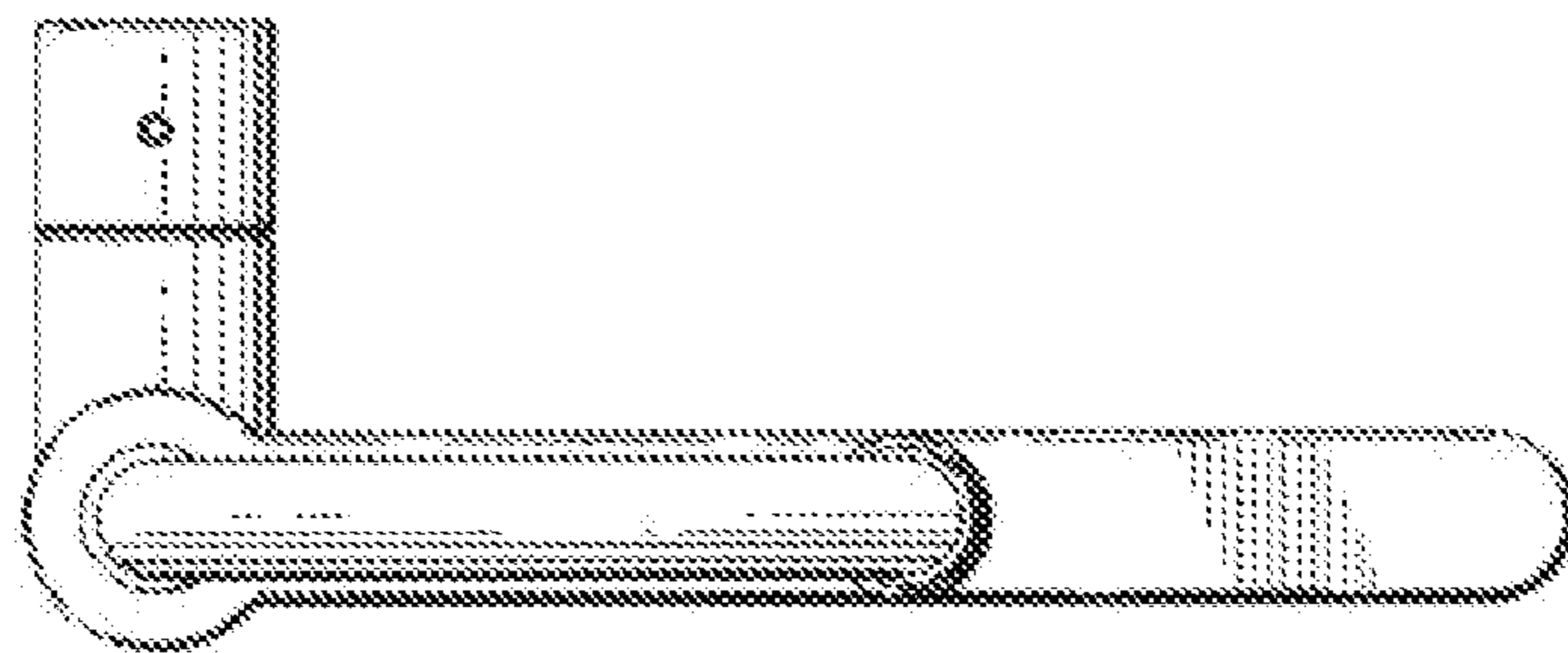


Fig. 4

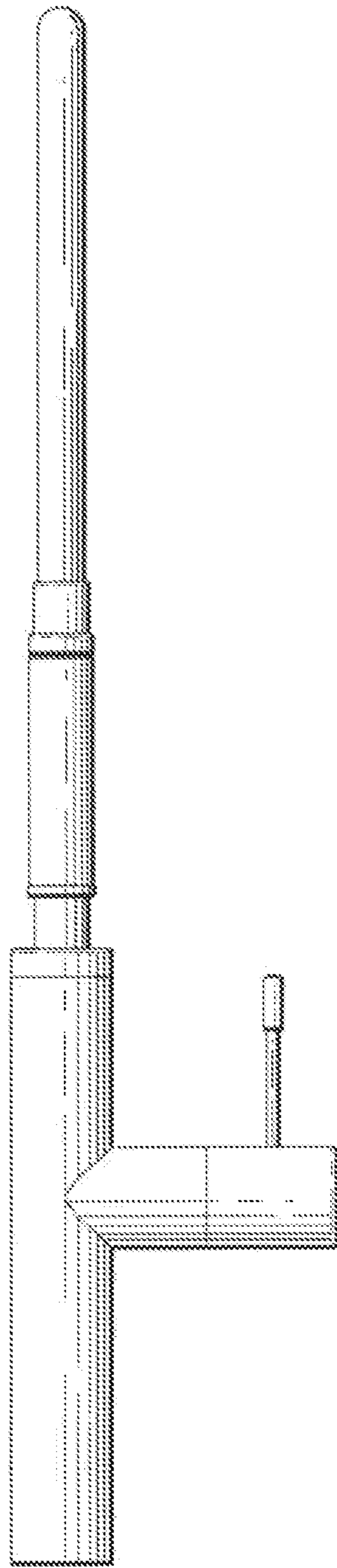


Fig. 5

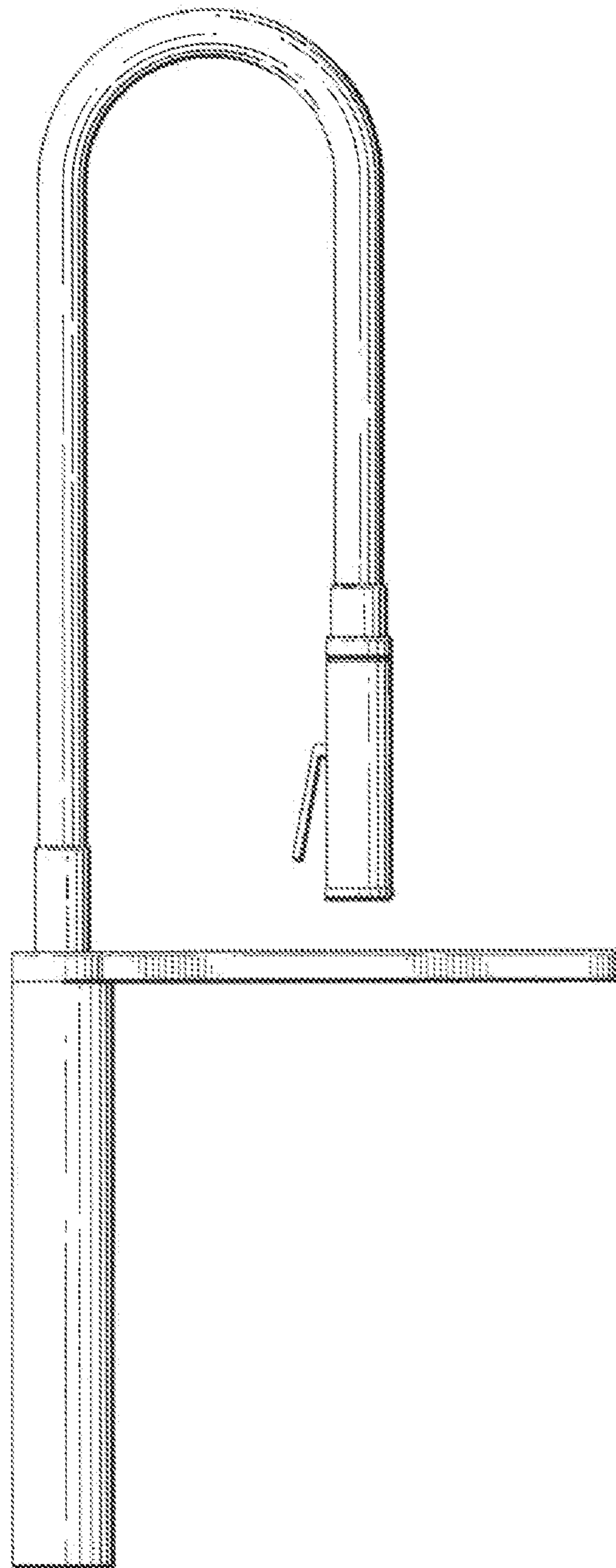


Fig. 6

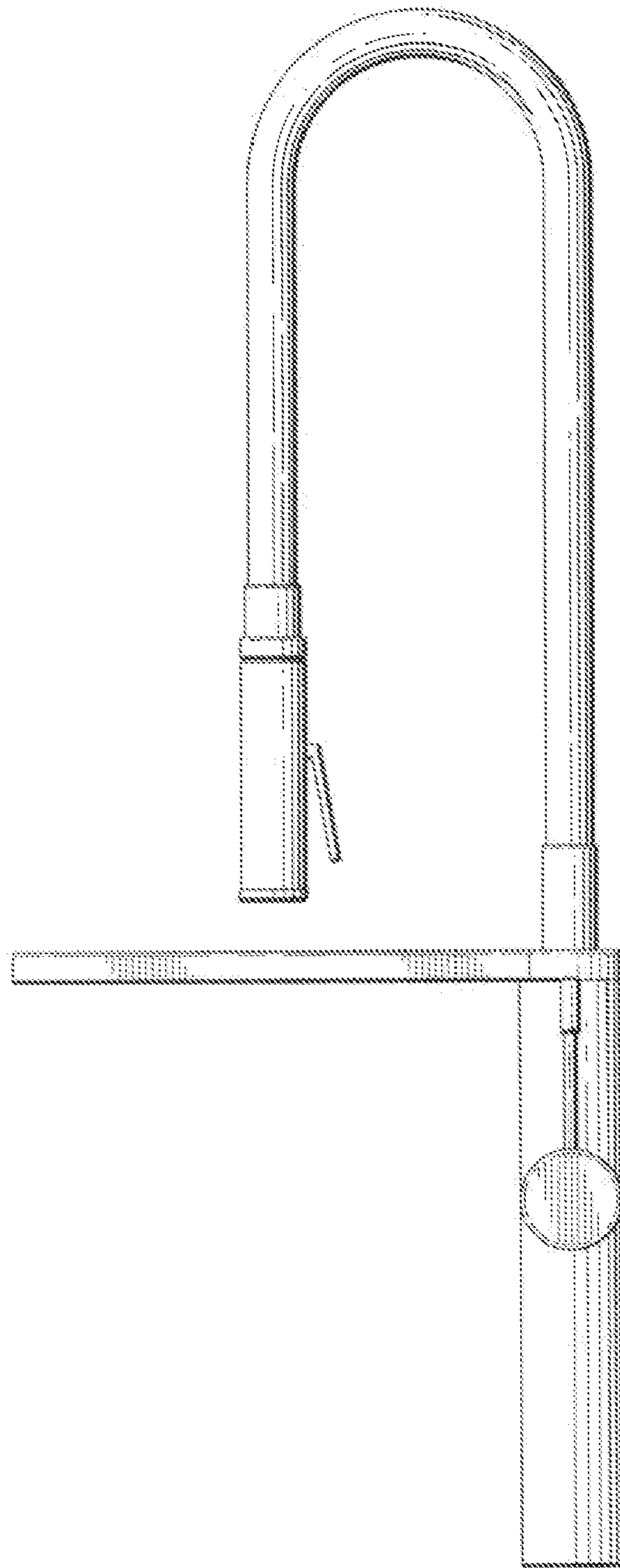


Fig. 7

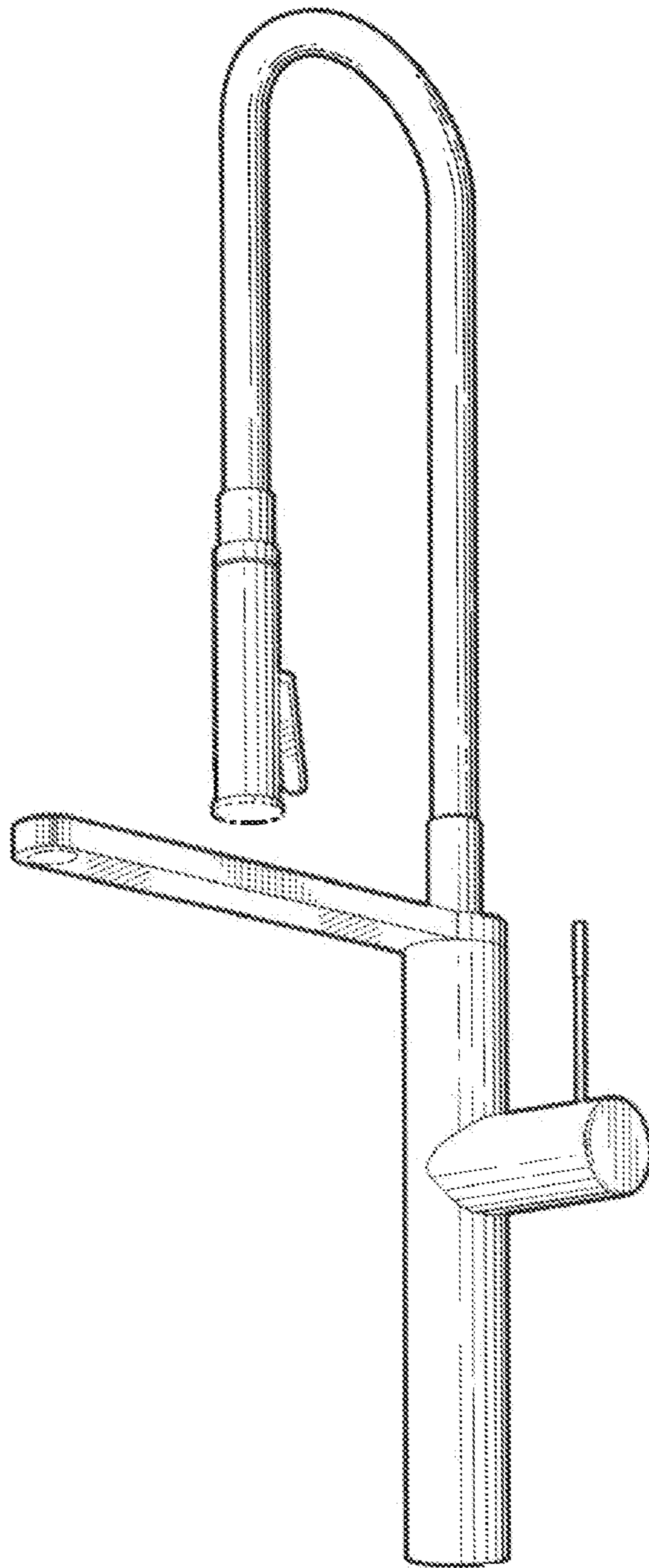


Fig. 8