



US00D589593S

(12) **United States Design Patent**  
**Painter et al.**

(10) **Patent No.:** **US D589,593 S**  
(45) **Date of Patent:** **\*\* Mar. 31, 2009**

(54) **KITCHEN FAUCET**

(75) Inventors: **Michael J. Painter**, Reynoldsburg, OH (US); **Gary Uhl**, Fair Haven, NJ (US)

(73) Assignee: **AS IP Holdco, LLC**, Boston, MA (US)

(\*\*) Term: **14 Years**

(21) Appl. No.: **29/279,685**

(22) Filed: **May 4, 2007**

(51) **LOC (9) Cl.** ..... **23-01**

(52) **U.S. Cl.** ..... **D23/238**

(58) **Field of Classification Search** ..... D23/200,  
D23/238-257; D6/512, 546, 550; D8/300,  
D8/307-308, 310-312, 321; 4/675-678;  
137/801; 16/110.1, 441

See application file for complete search history.

(56) **References Cited**

**U.S. PATENT DOCUMENTS**

D380,252 S *	6/1997	Abel	.....	D23/241
D400,648 S *	11/1998	Fabian et al.	.....	D23/243
D411,286 S *	6/1999	Lord	.....	D23/243
D412,558 S *	8/1999	Lord	.....	D23/238
D421,095 S *	2/2000	Sawhney et al.	.....	D23/238
D421,292 S *	2/2000	Lord	.....	D23/243
D425,967 S *	5/2000	Sawhney et al.	.....	D23/243
D428,966 S *	8/2000	Pitsch	.....	D23/238

D441,427 S *	5/2001	Pitsch et al.	.....	D23/238
D465,555 S *	11/2002	Chang	.....	D23/238
D520,113 S *	5/2006	Chu	.....	D23/238

\* cited by examiner

*Primary Examiner*—Robert A. Delehanty

*Assistant Examiner*—Mark Cavanna

(74) *Attorney, Agent, or Firm*—Frommer Lawrence and Haug LLP; Paul A. Levy

(57) **CLAIM**

The ornamental design for kitchen faucet, as shown and described.

**DESCRIPTION**

FIG. 1 is a left side view of the kitchen faucet of my invention;

FIG. 2 is a right side view;

FIG. 3 is a front view;

FIG. 4 is a rear view;

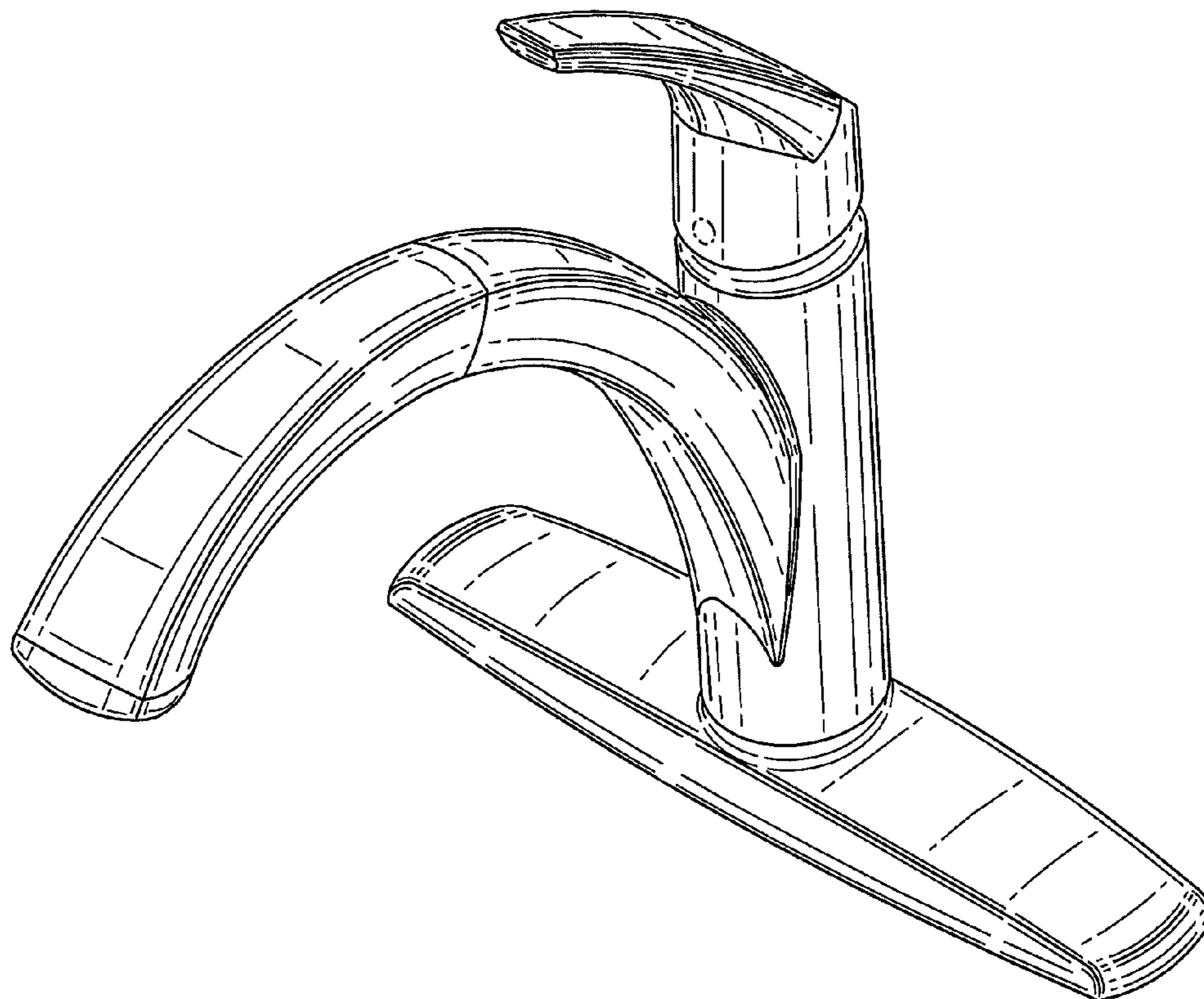
FIG. 5 is a top view;

FIG. 6 is a bottom view; and,

FIG. 7 is a front perspective view.

The broken lines are included for the purpose of illustrating a portion of the kitchen faucet that forms no part of the claimed design.

**1 Claim, 7 Drawing Sheets**



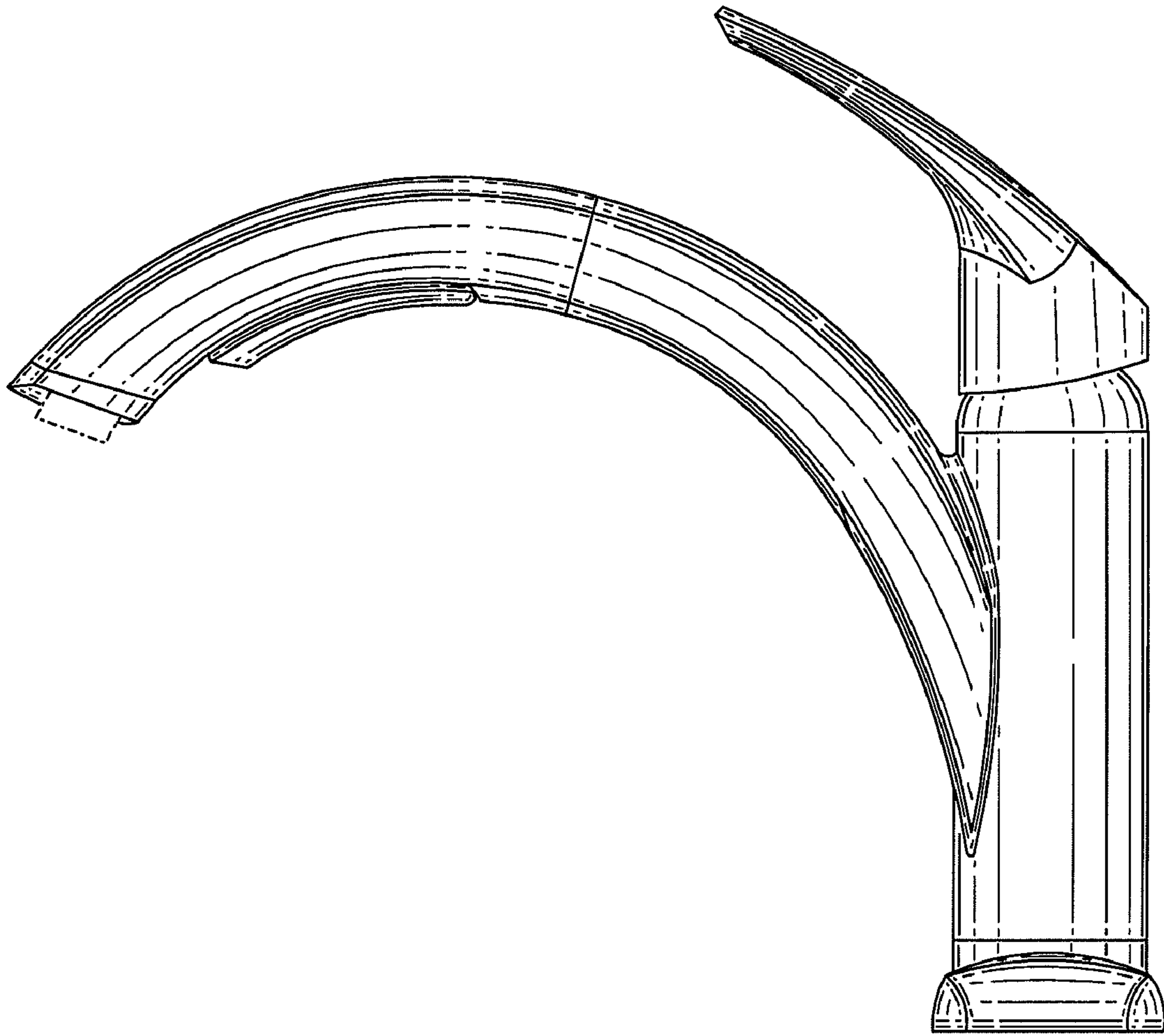


FIG. 1

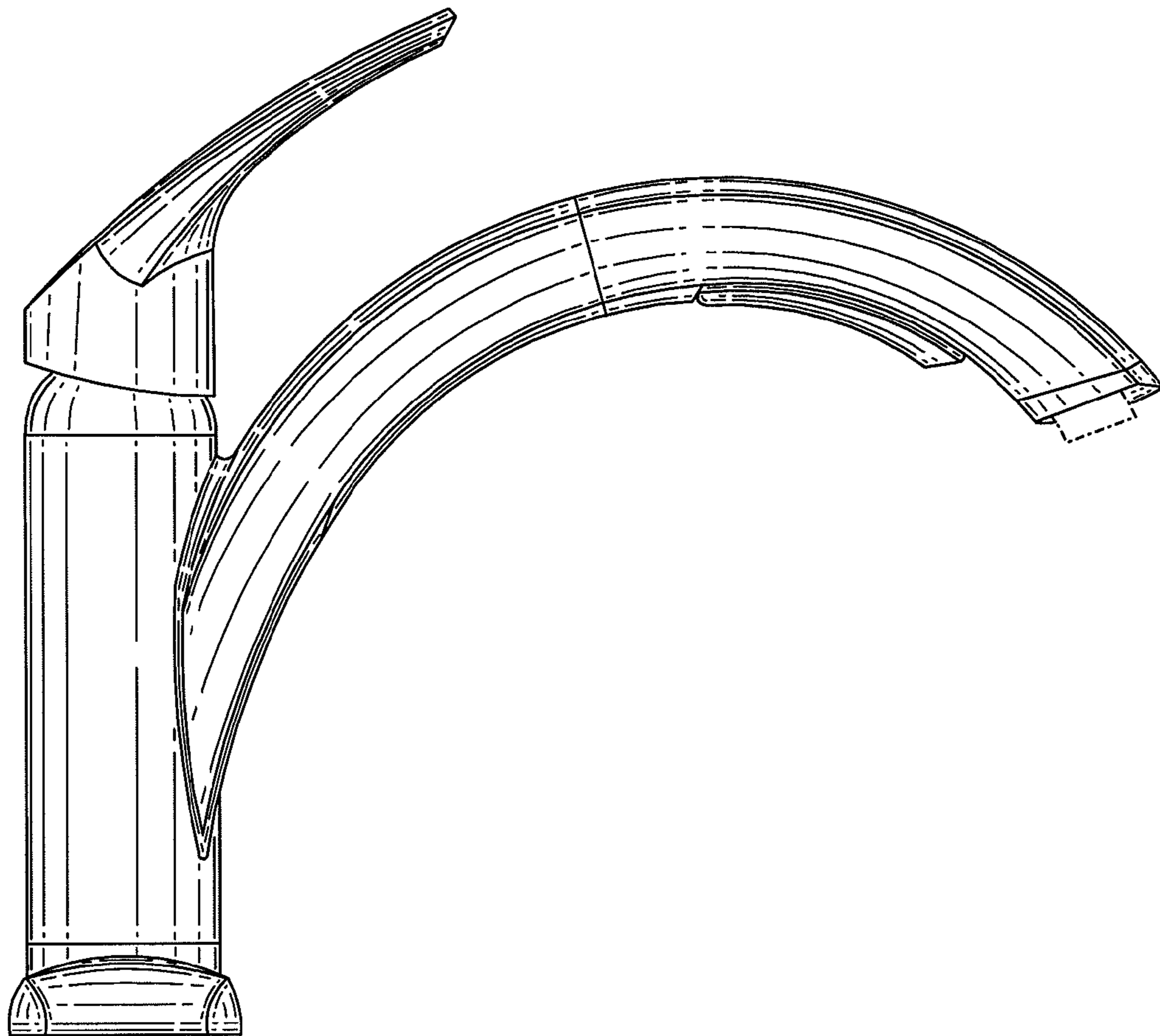


FIG. 2

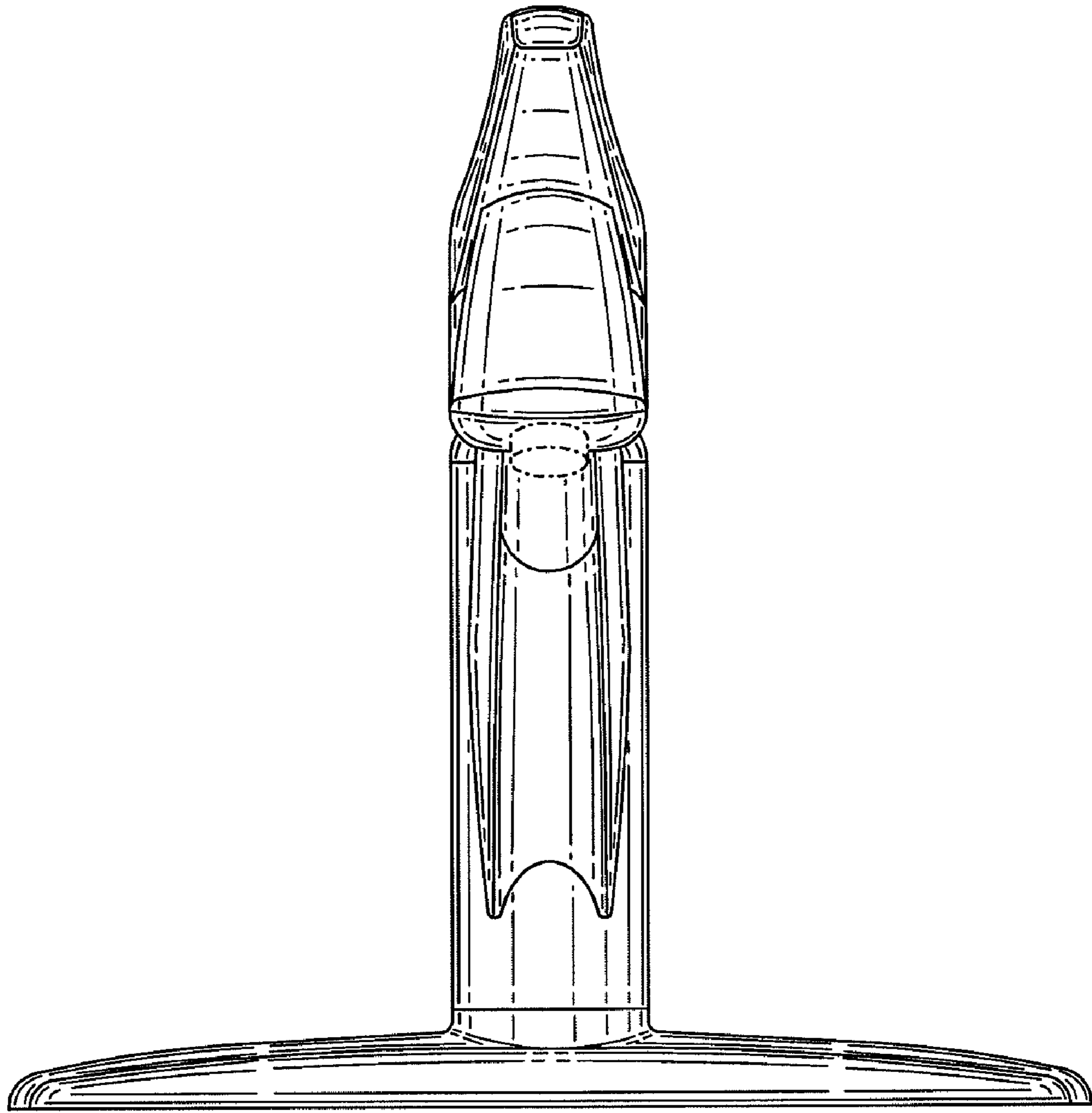


FIG. 3

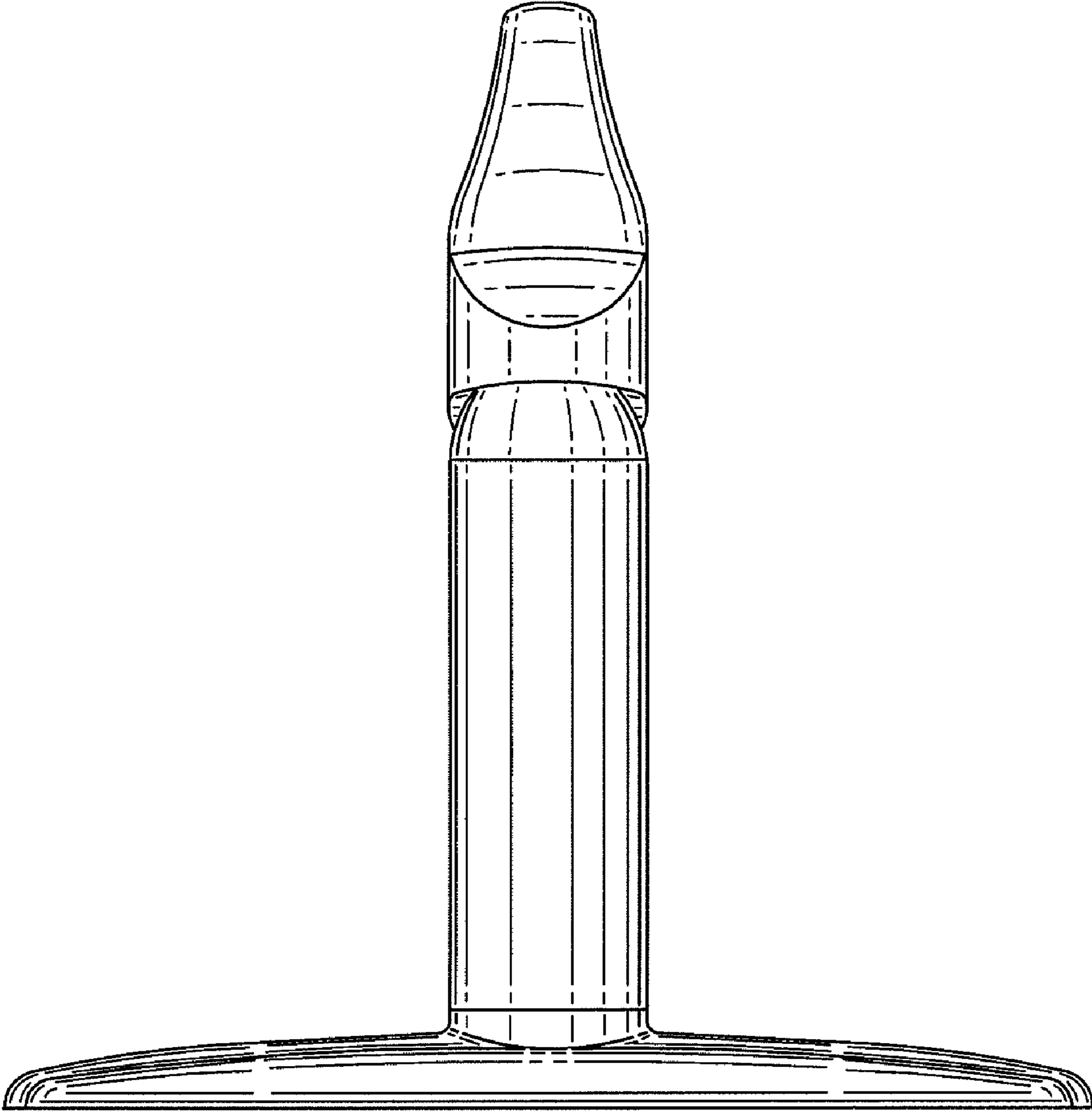


FIG. 4

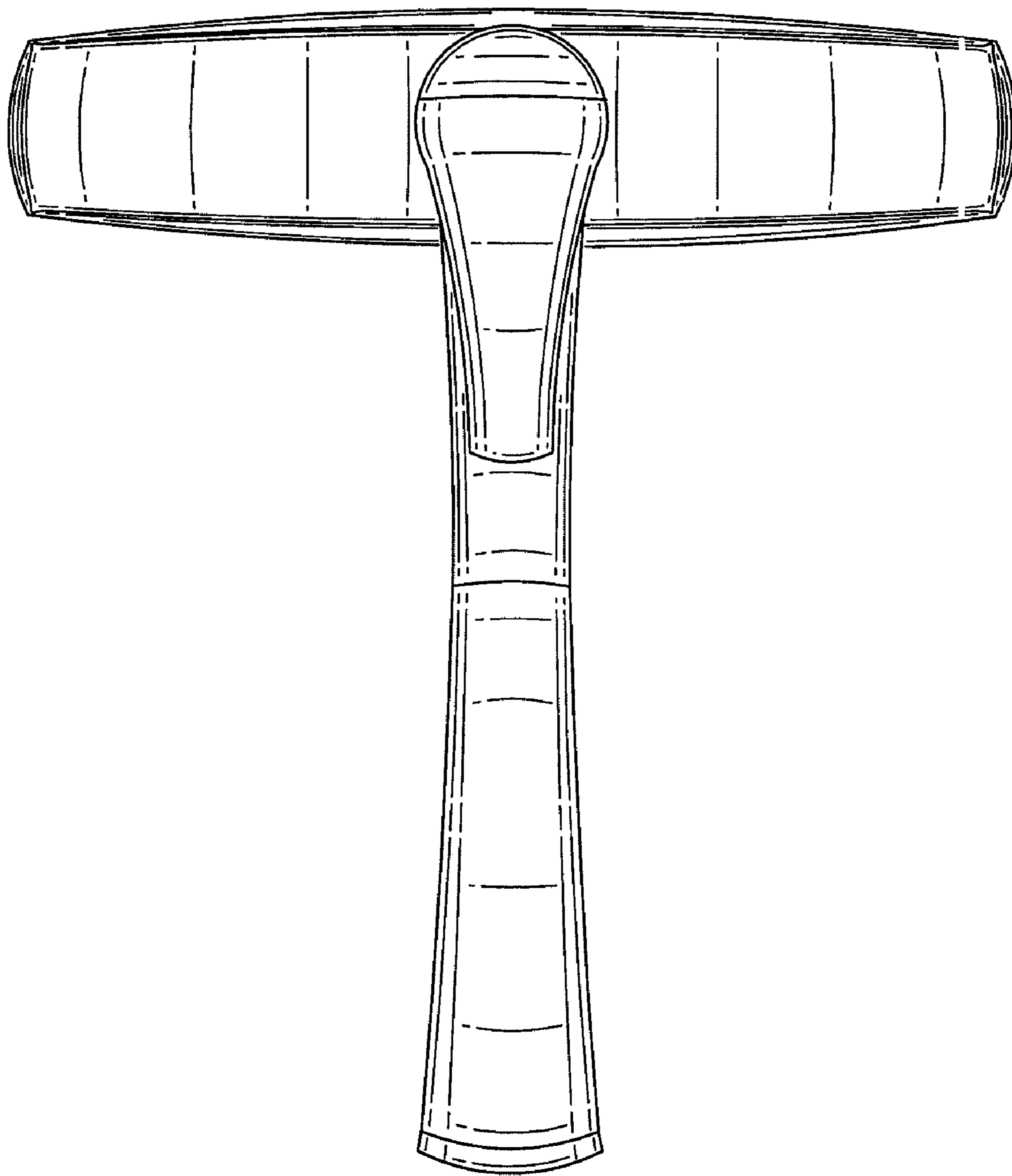


FIG. 5

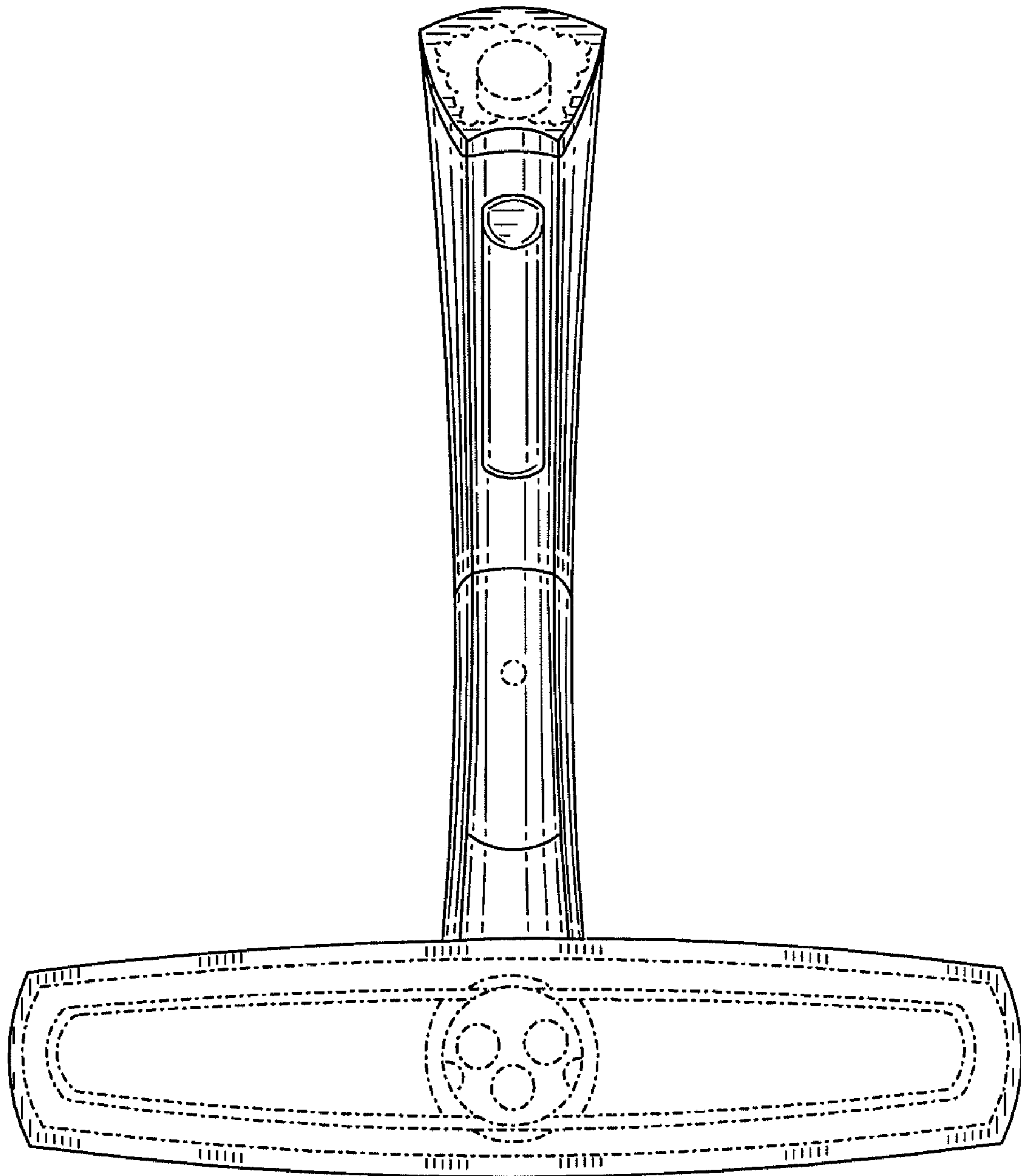


FIG. 6

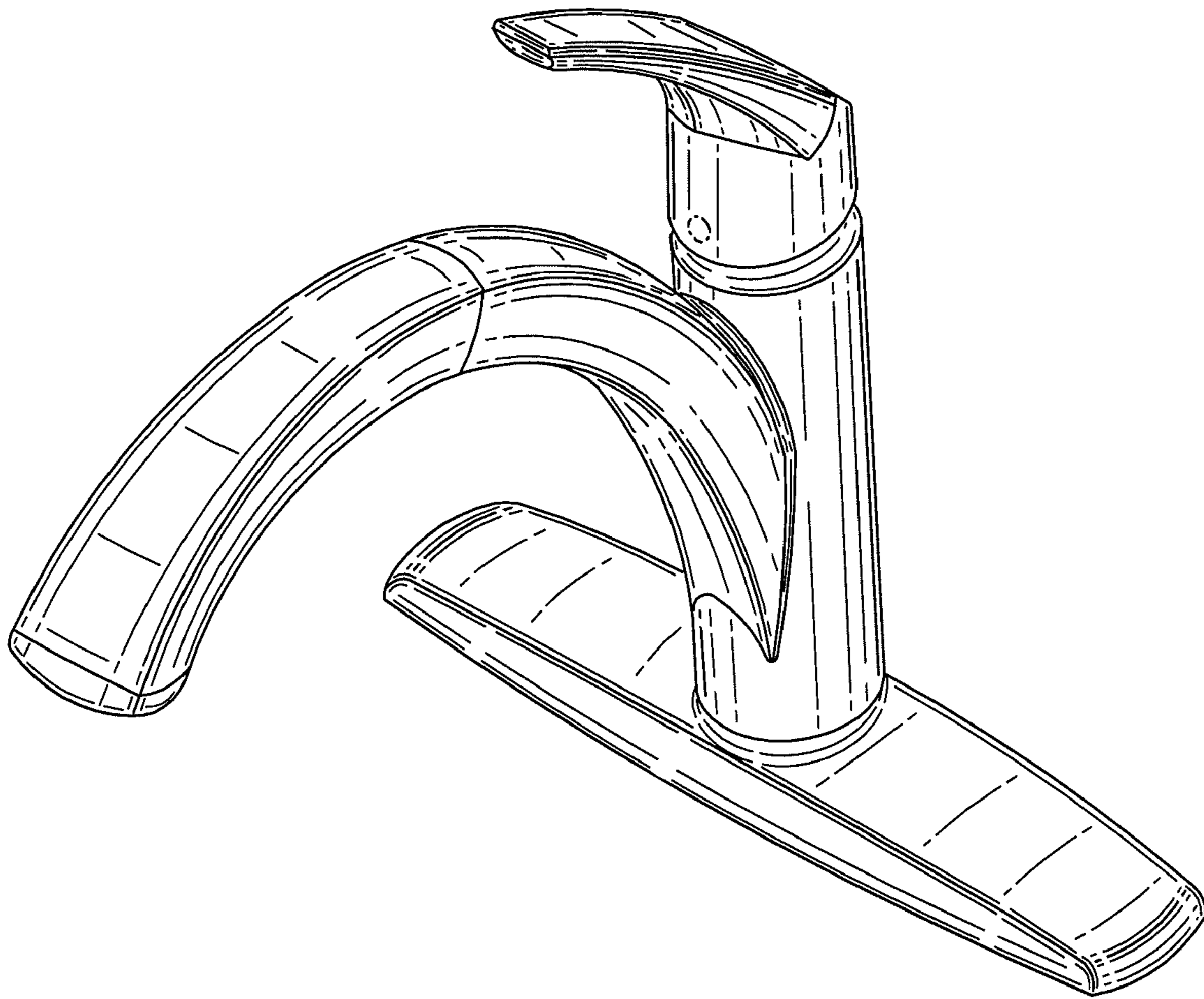


FIG. 7