



US00D589592S

(12) **United States Design Patent**  
**Genord et al.**

(10) **Patent No.:** **US D589,592 S**  
(45) **Date of Patent:** **\*\* Mar. 31, 2009**

(54) **SHOWERHEAD**

D556,295 S \* 11/2007 Genord et al. .... D23/229

(75) Inventors: **Daniel S. Genord**, South Lyon, MI (US); **Dominic Daunter**, Howell, MI (US); **Julian Giggs**, Hillsdale, MI (US); **Michael Miller**, Portage, MI (US)

\* cited by examiner

*Primary Examiner*—Robin V Webster  
(74) *Attorney, Agent, or Firm*—Edgar A. Zarins

(73) Assignee: **Alsons Corporation**, Hillsdale, MI (US)

(57) **CLAIM**

(\*\*) Term: **14 Years**

The ornamental design for a showerhead, as shown and described.

(21) Appl. No.: **29/320,719**

**DESCRIPTION**

(22) Filed: **Jul. 2, 2008**

FIG. 1 is a perspective view of a showerhead showing our new design;

(51) **LOC (9) Cl.** ..... **23-01**

FIG. 2 is a front elevational view thereof;

(52) **U.S. Cl.** ..... **D23/213; D23/229**

FIG. 3 is a rear view thereof;

(58) **Field of Classification Search** ..... D23/213, D23/223, 226, 229–230; 239/282–283, 462  
See application file for complete search history.

FIG. 4 is a top plan view thereof;

FIG. 5 is a bottom view thereof;

FIG. 6 is a right side view thereof; and,

FIG. 7 is a left side view thereof.

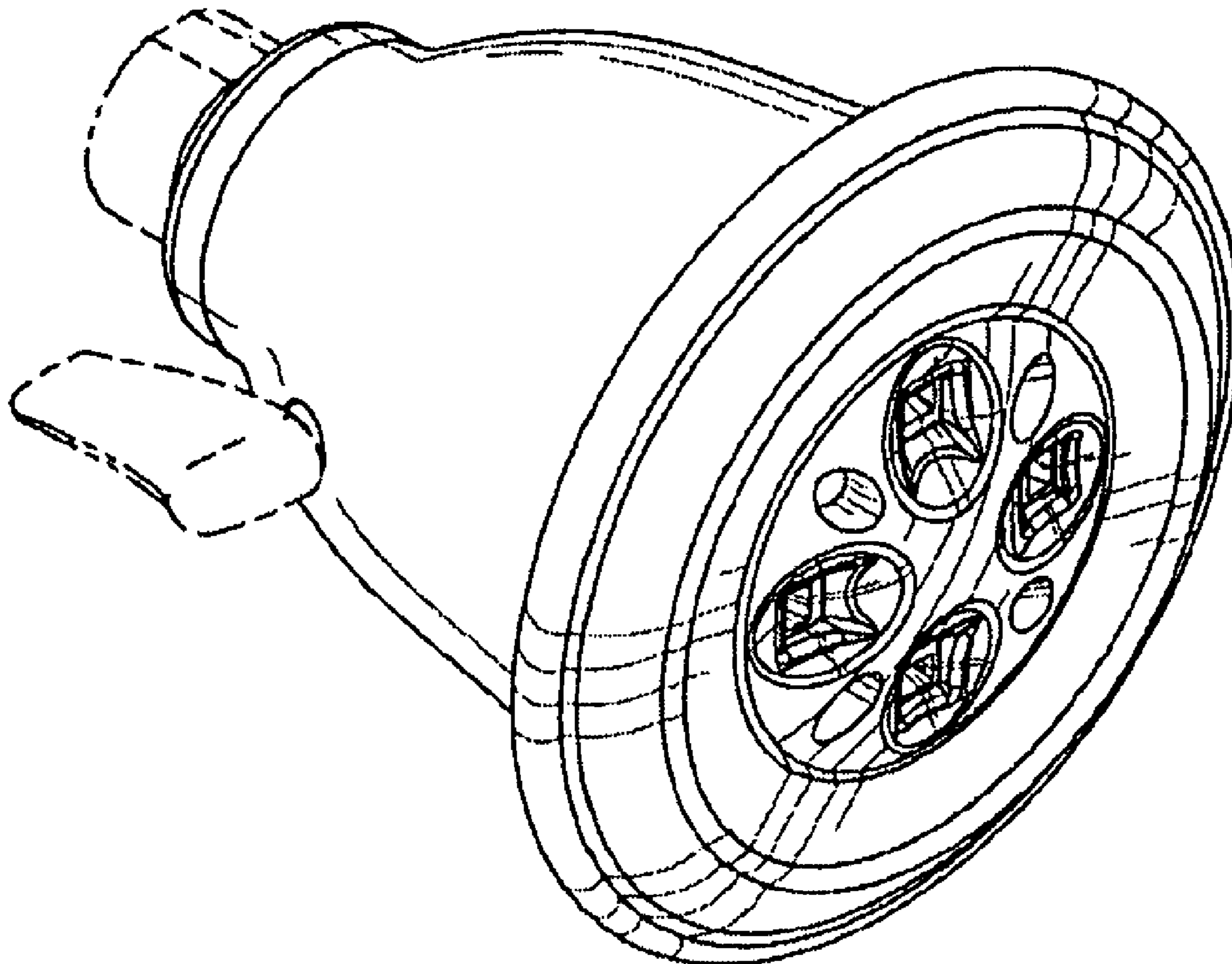
(56) **References Cited**

The broken line showing is included for the purpose of illustrating and forms no part of the claimed design.

**U.S. PATENT DOCUMENTS**

- D509,281 S \* 9/2005 Berghane et al. .... D23/229
- D531,263 S \* 10/2006 Tse ..... D23/213
- D537,506 S \* 2/2007 Paterson et al. .... D23/229

**1 Claim, 3 Drawing Sheets**



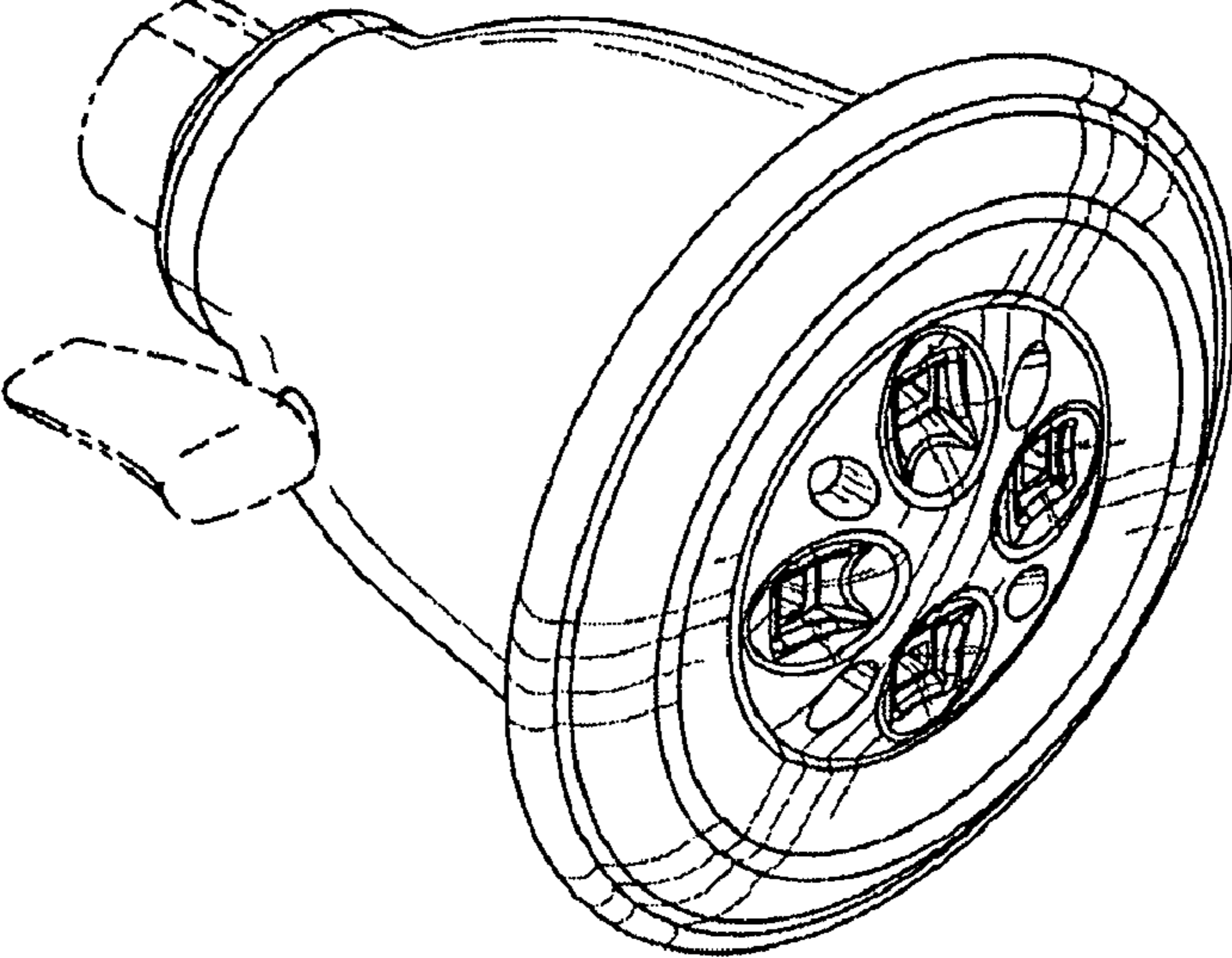


Fig-1

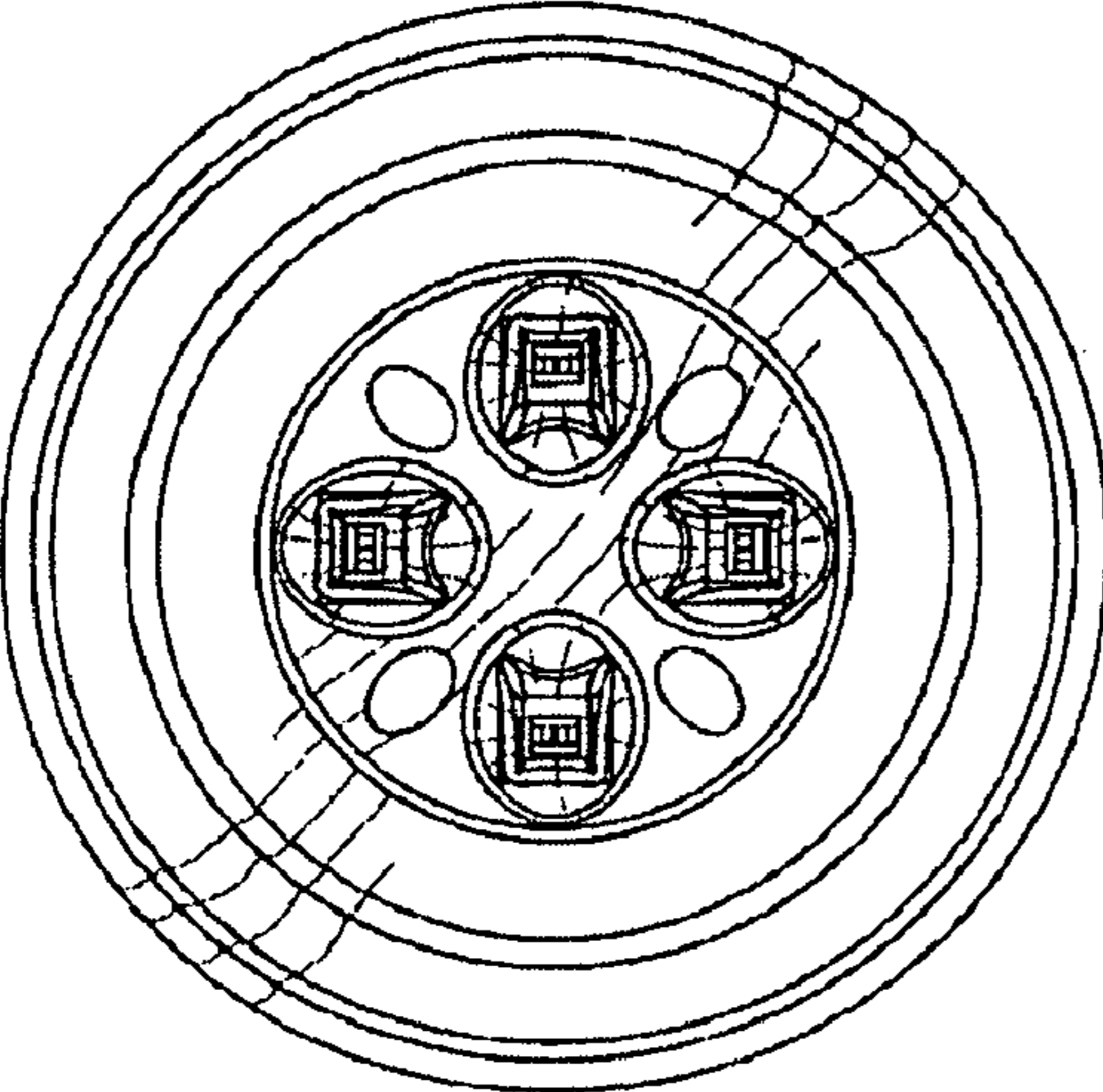


Fig-2

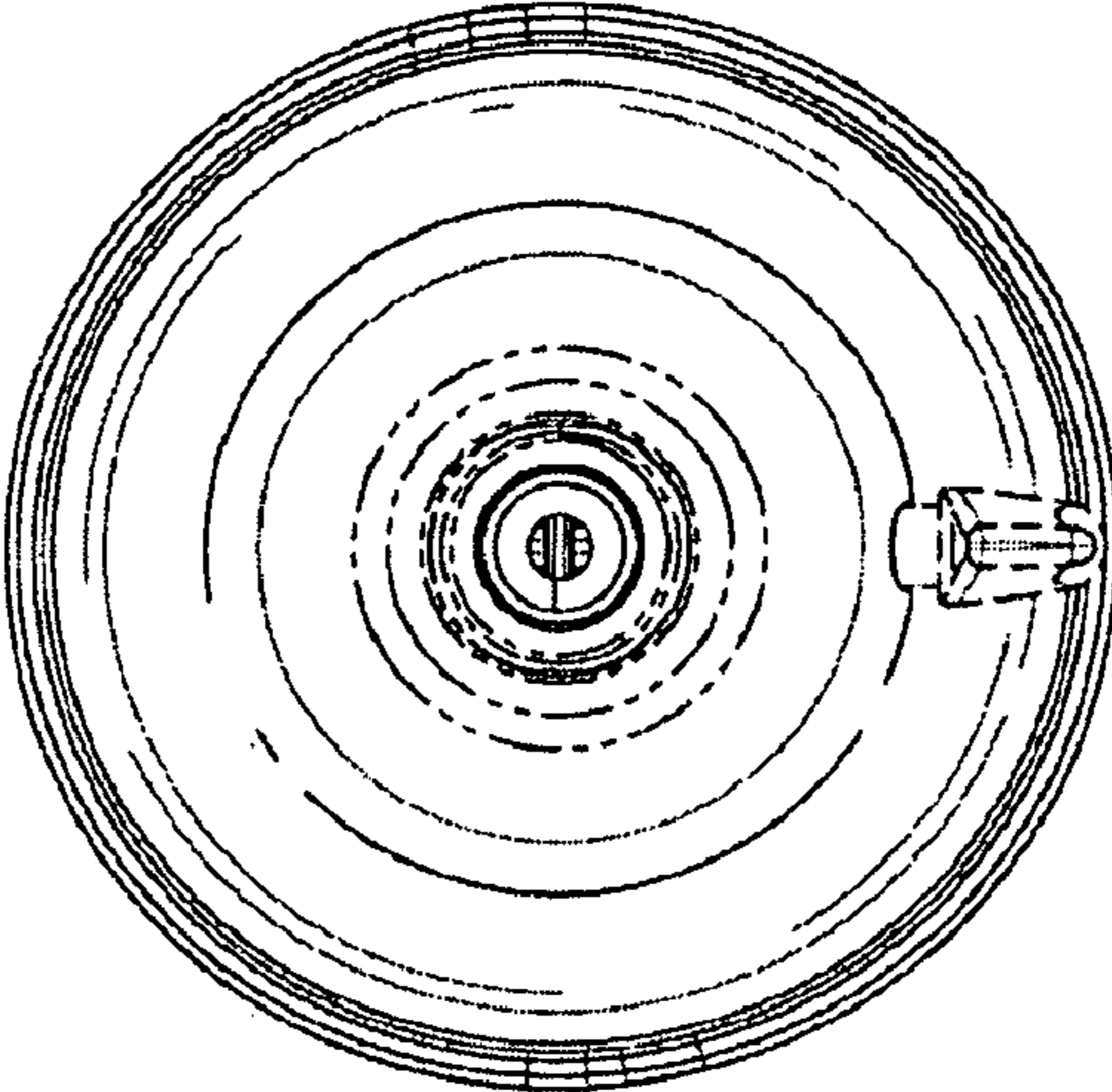


Fig-3

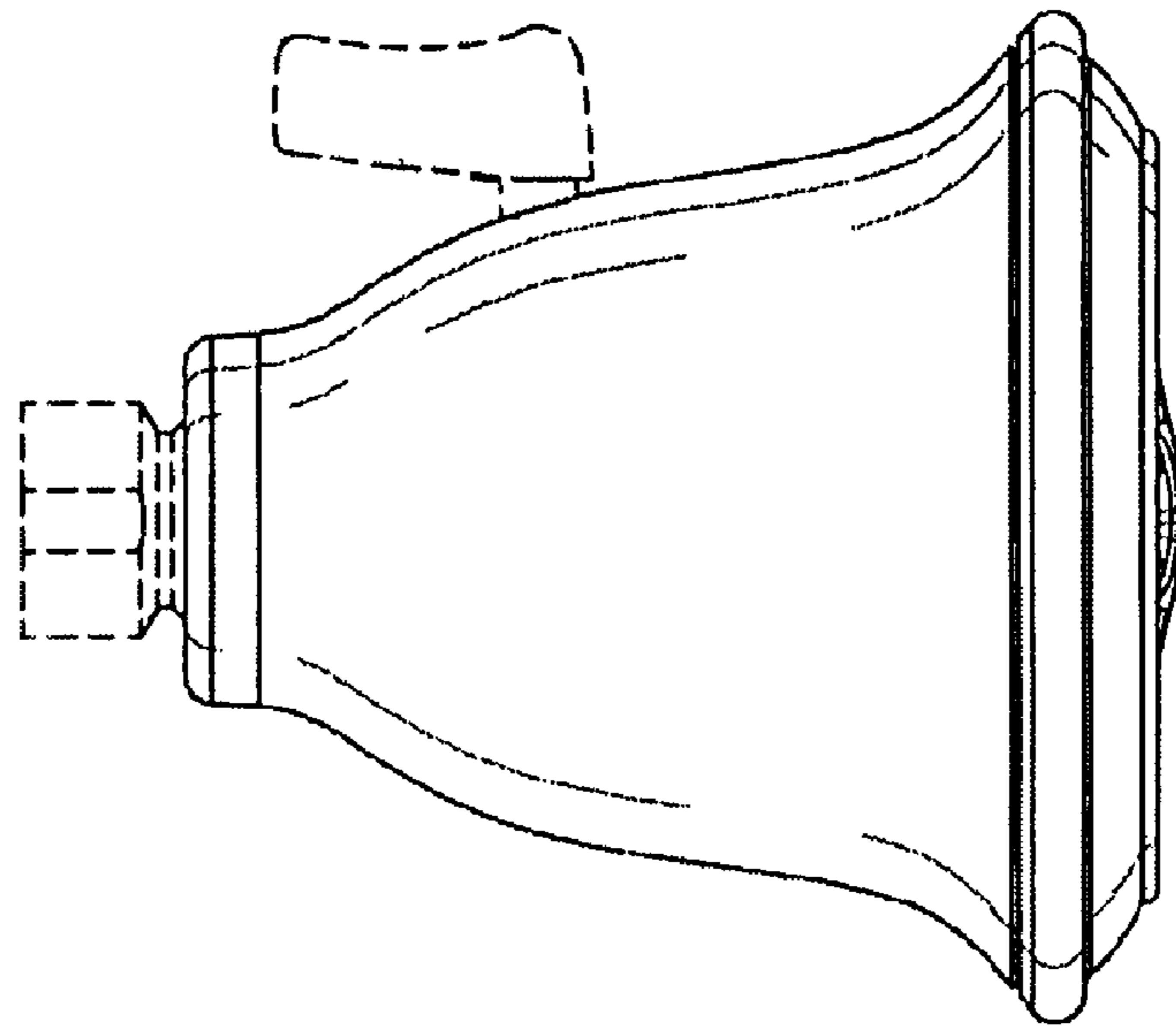


Fig-4

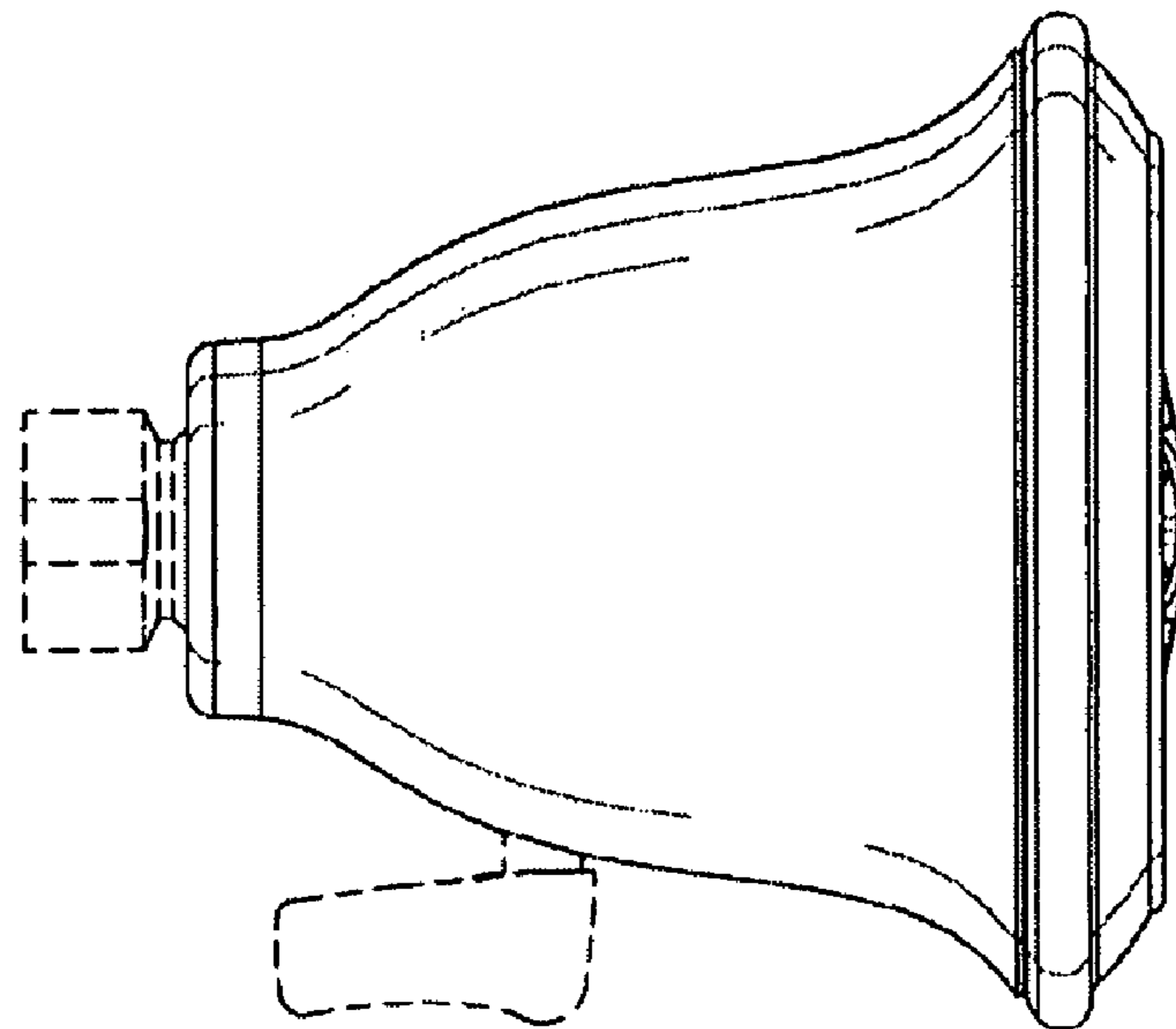


Fig-5

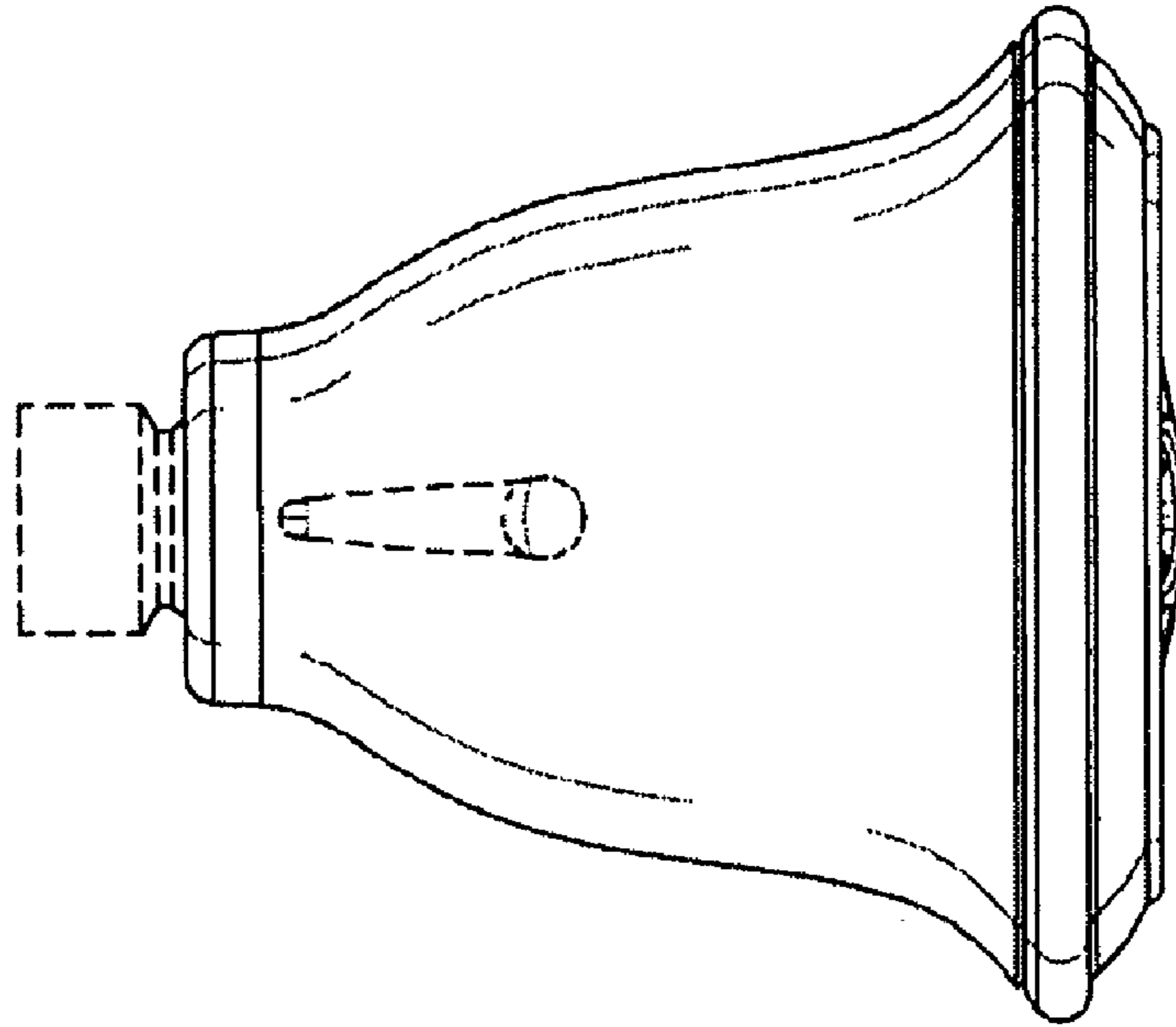


Fig-6

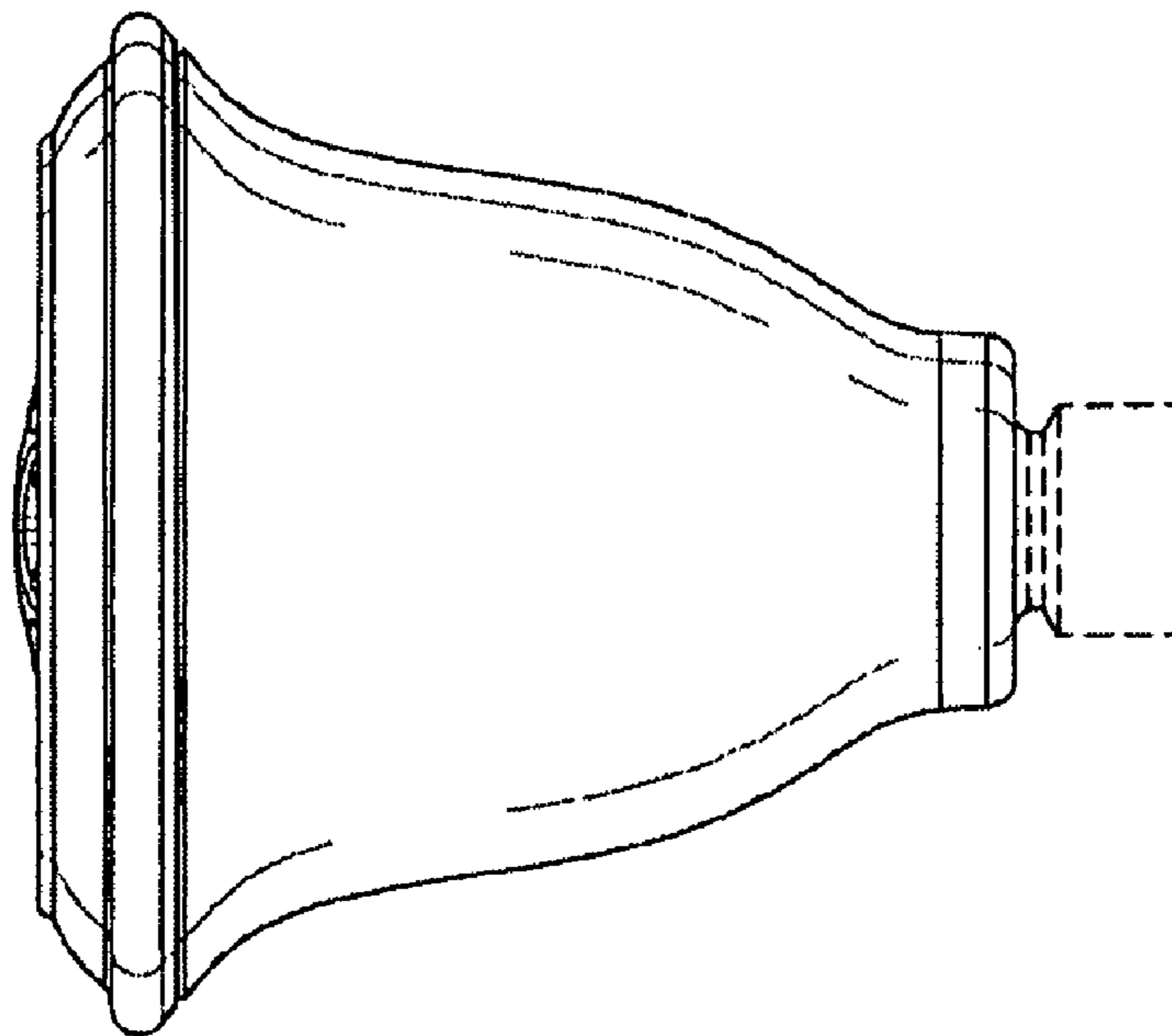


Fig-7