



US00D589591S

(12) **United States Design Patent**  
**Ugone**

(10) **Patent No.:** **US D589,591 S**  
(45) **Date of Patent:** **\*\* Mar. 31, 2009**

(54) **WATERING CAN WITH A PUMP AND A KNEE PAD**

D525,340 S \* 7/2006 Durant ..... D23/212

\* cited by examiner

(76) Inventor: **James Ugone**, 10 South St., Ste. 209,  
Topsfield, MA (US) 01983

*Primary Examiner*—Robin V Webster  
(74) *Attorney, Agent, or Firm*—Lambert & Associates; Gary  
E. Lambert

(\*\*) Term: **14 Years**

(21) Appl. No.: **29/325,029**

(57) **CLAIM**

(22) Filed: **Sep. 25, 2008**

The ornamental design for watering can with a pump and  
knee pad, as shown and described.

(51) **LOC (9) Cl.** ..... **23-01**

(52) **U.S. Cl.** ..... **D23/212**

(58) **Field of Classification Search** ..... D23/212;  
239/289, 375–377; 222/465.1, 133, 1  
See application file for complete search history.

**DESCRIPTION**

FIG. 1 is a top-down isometric perspective view of a watering  
can with a pump and knee pad, displaying a knee pad con-  
tainment chamber at the bottom of said watering can, a pump  
chamber located adjacent to the main fluid containment  
chamber and a first side mounted tool holding chamber.

(56) **References Cited**

**U.S. PATENT DOCUMENTS**

92,194	A	*	7/1869	Kaiser	.....	222/385
880,522	A	*	3/1908	Gray	.....	220/759
3,353,725	A	*	11/1967	Caceres	.....	222/456
D266,450	S	*	10/1982	Swett et al.	.....	D23/212
D295,547	S	*	5/1988	Cunning	.....	D23/212
D401,668	S	*	11/1998	Kreizel	.....	D23/212
D459,431	S	*	6/2002	Rosenberg	.....	D23/212
D505,182	S	*	5/2005	Durant et al.	.....	D23/212
7,011,235	B2	*	3/2006	Pasquariello	.....	222/133

FIG. 2 is a side elevation view thereof;

FIG. 3 is the opposite side elevation view thereof;

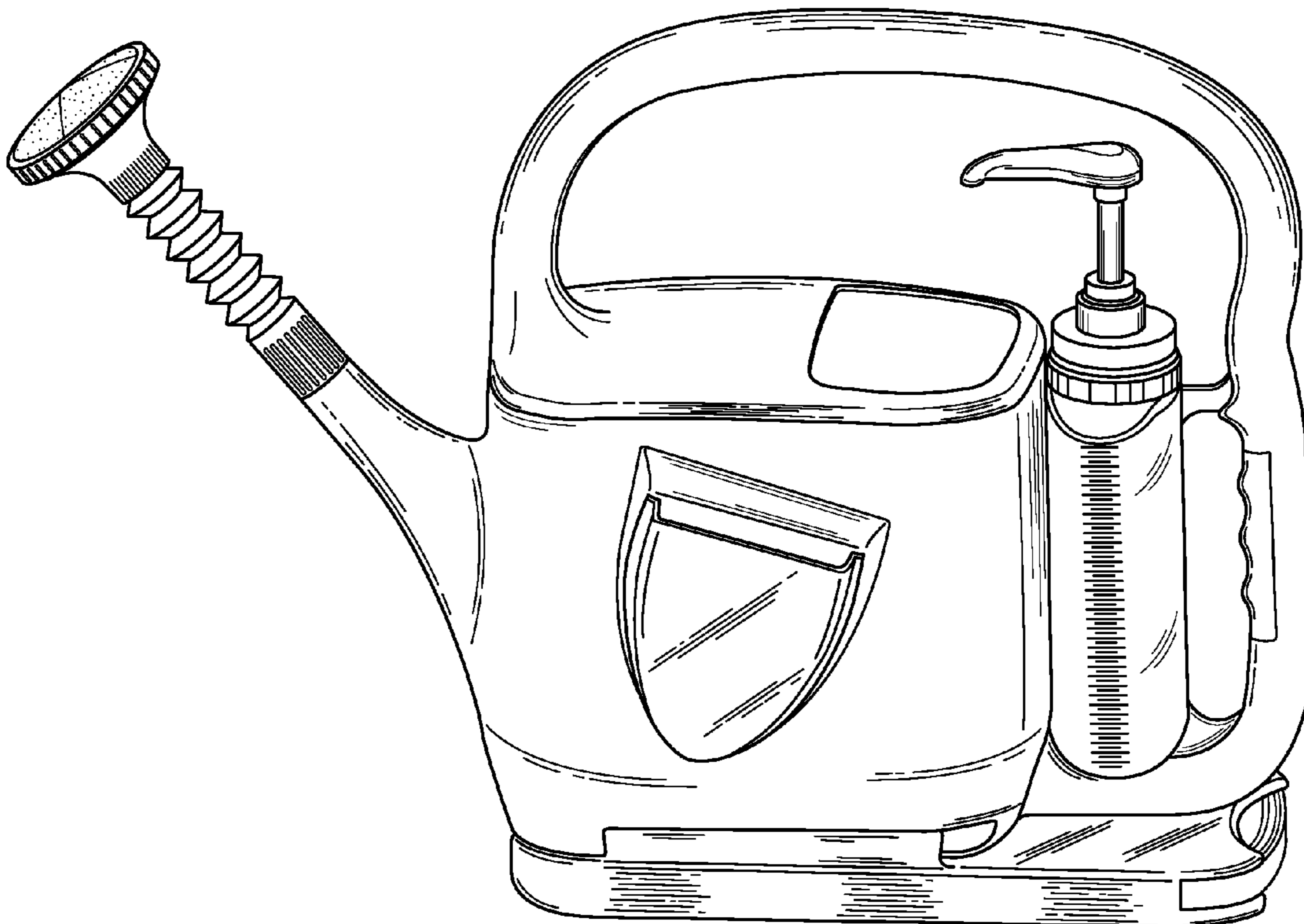
FIG. 4 is a front view thereof;

FIG. 5 is a rear view thereof;

FIG. 6 is a top plan view thereof; and,

FIG. 7 is a bottom view thereof.

**1 Claim, 5 Drawing Sheets**



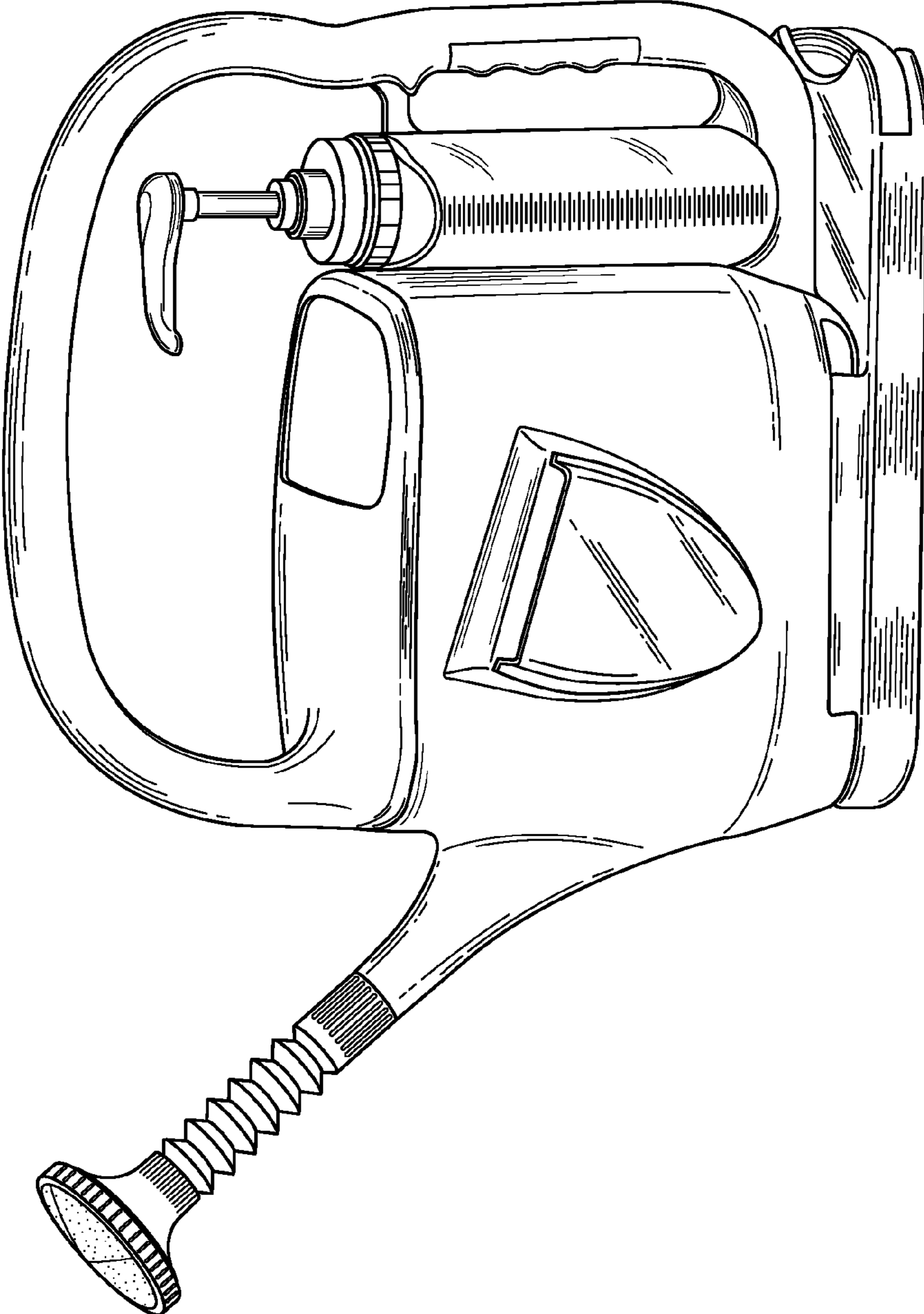


FIG. 1

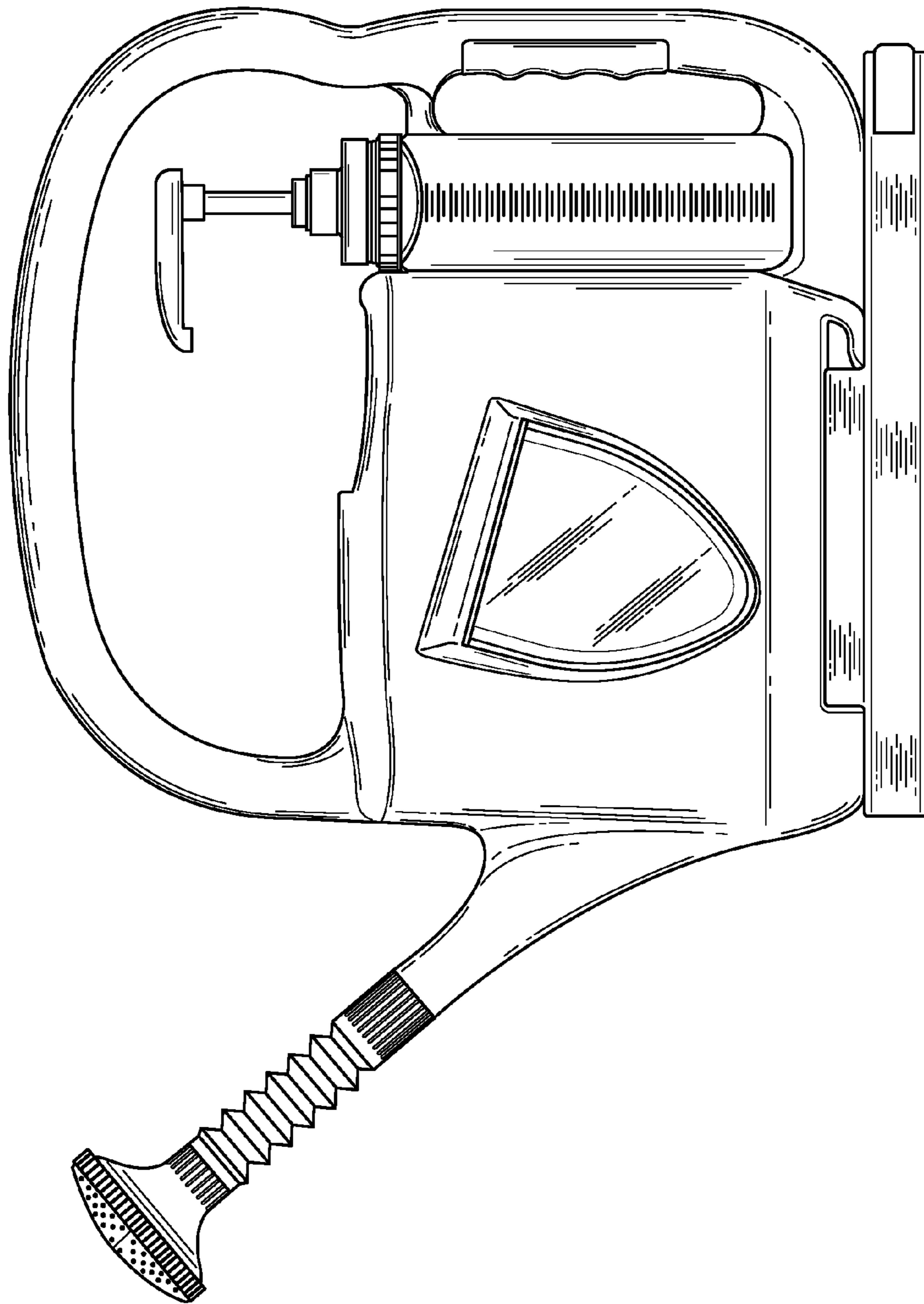


FIG. 2

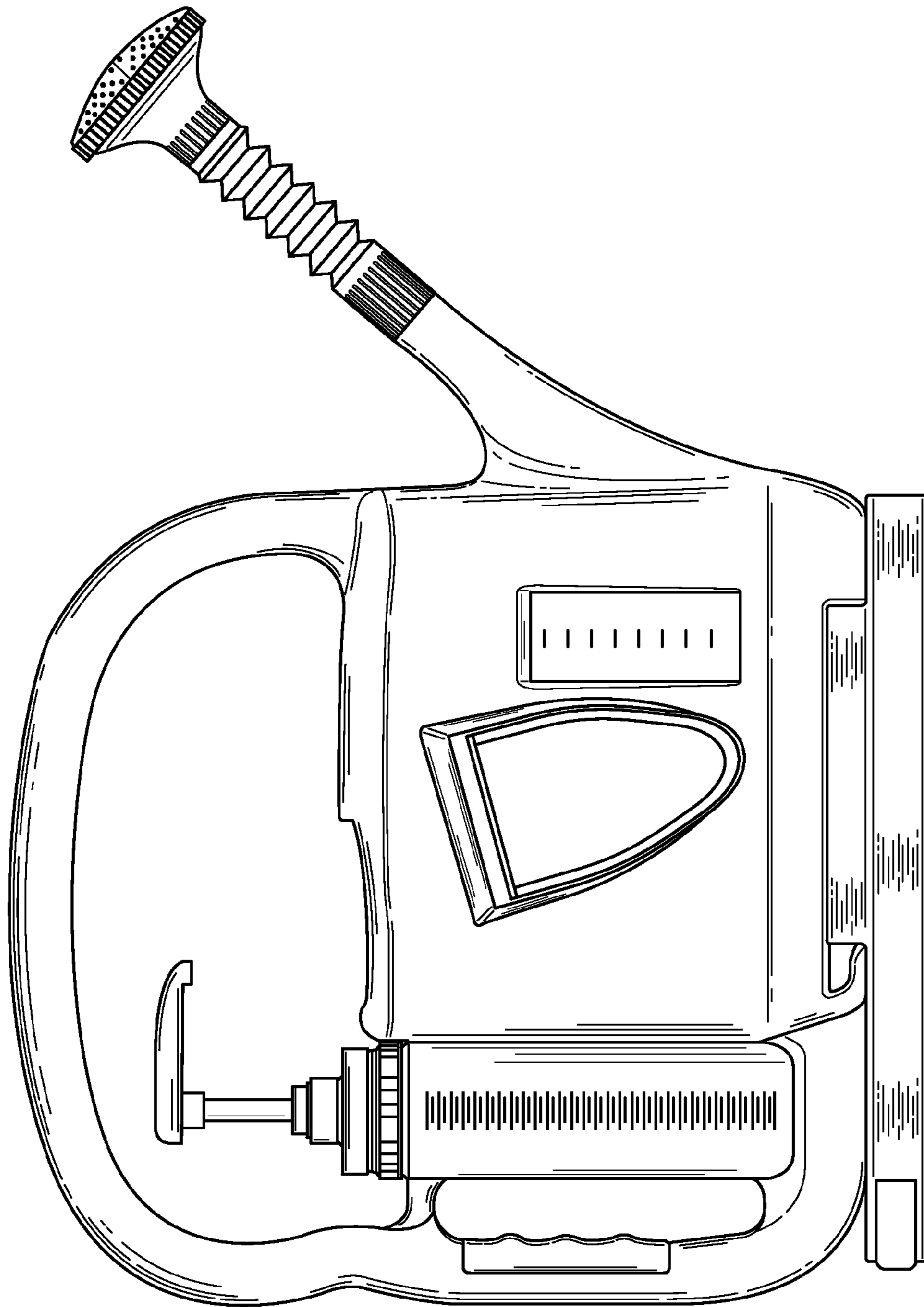


FIG. 3

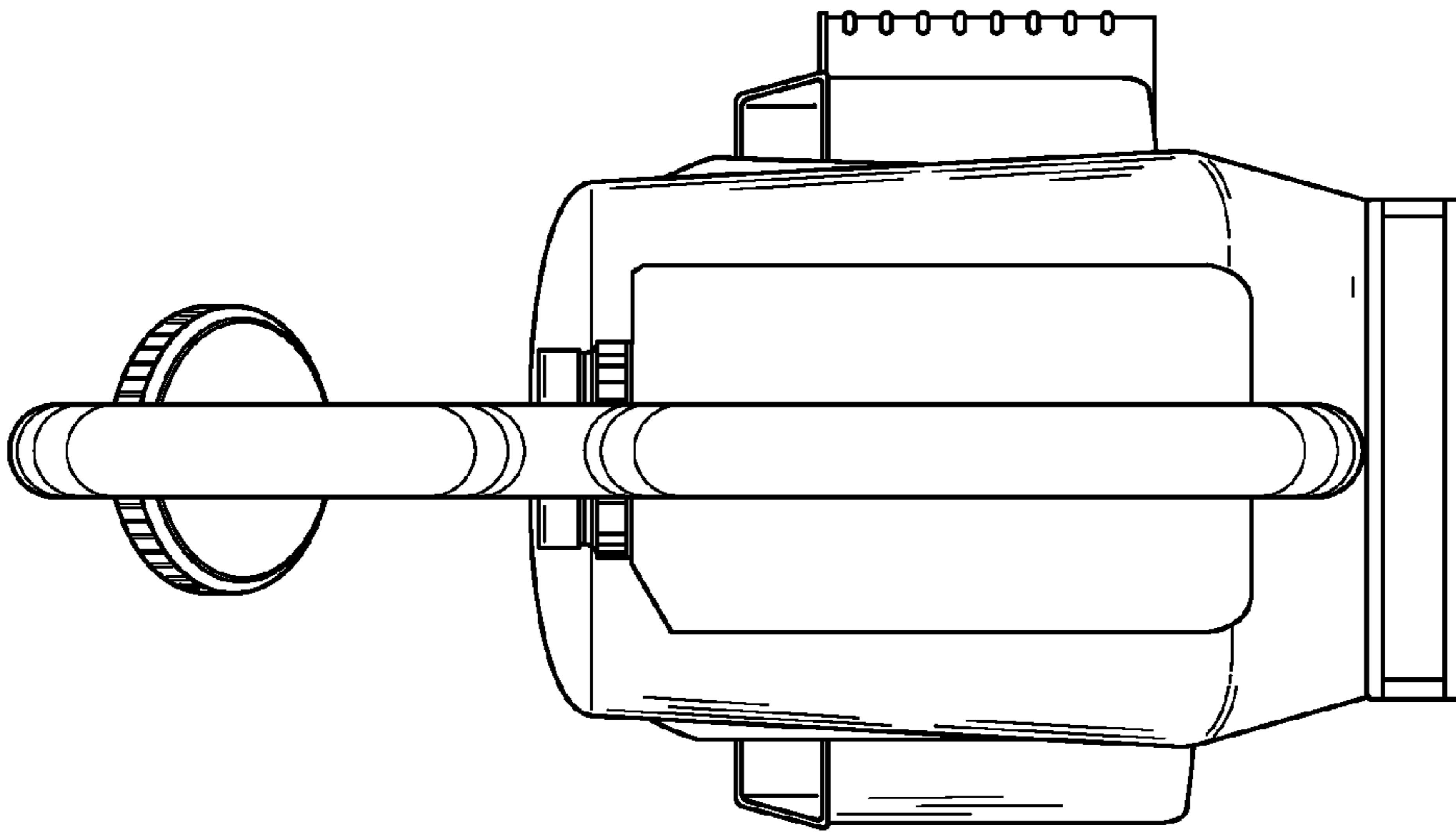


FIG. 5

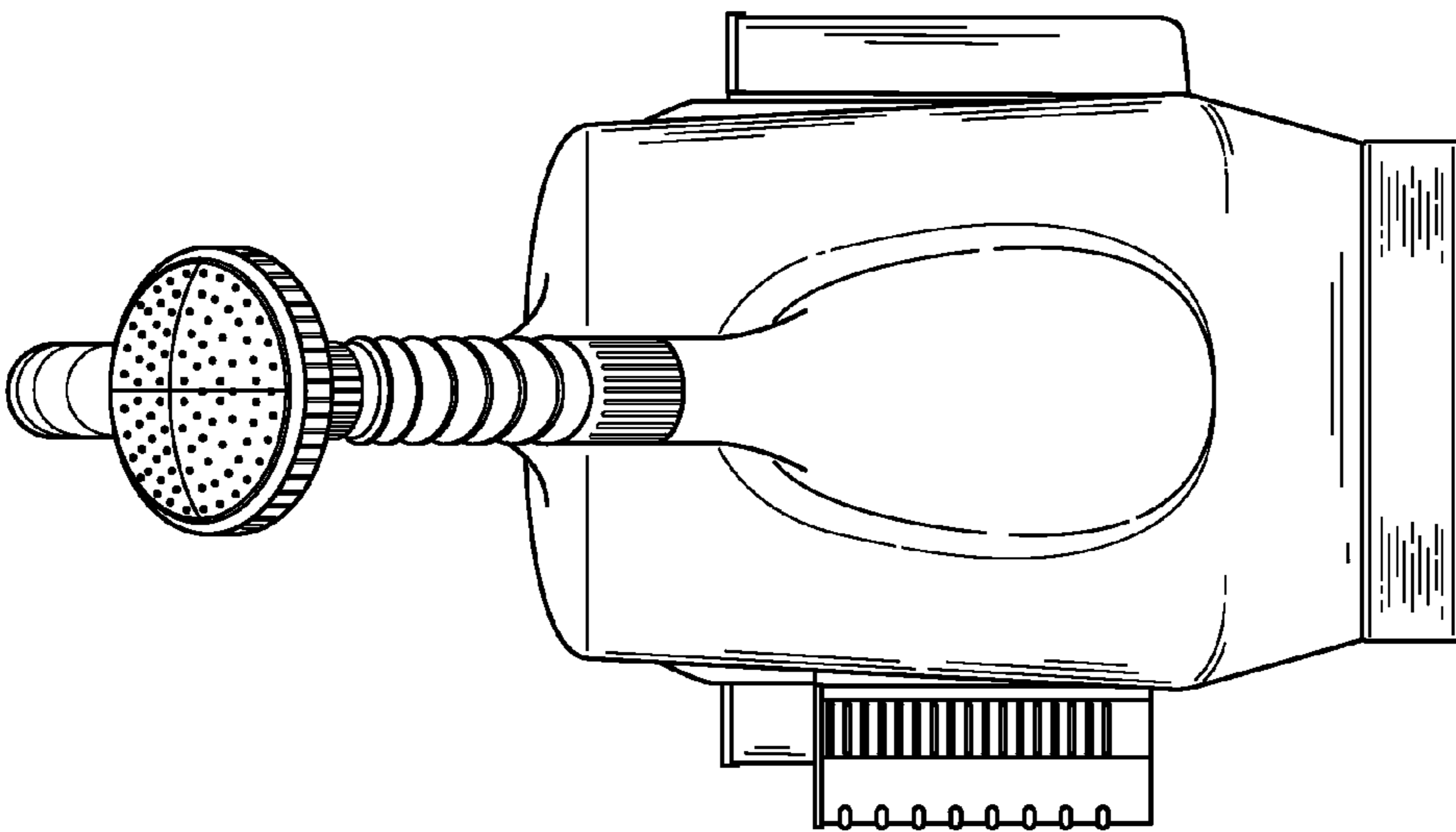


FIG. 4

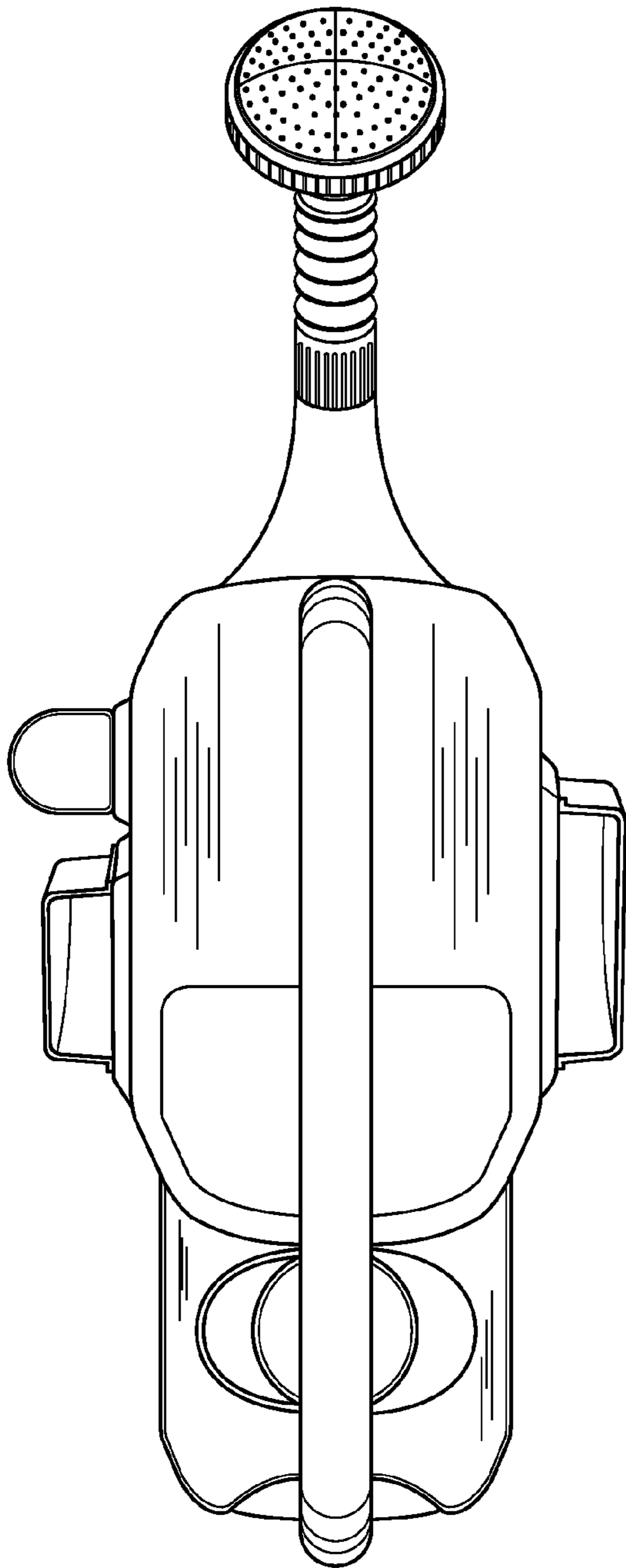


FIG. 6

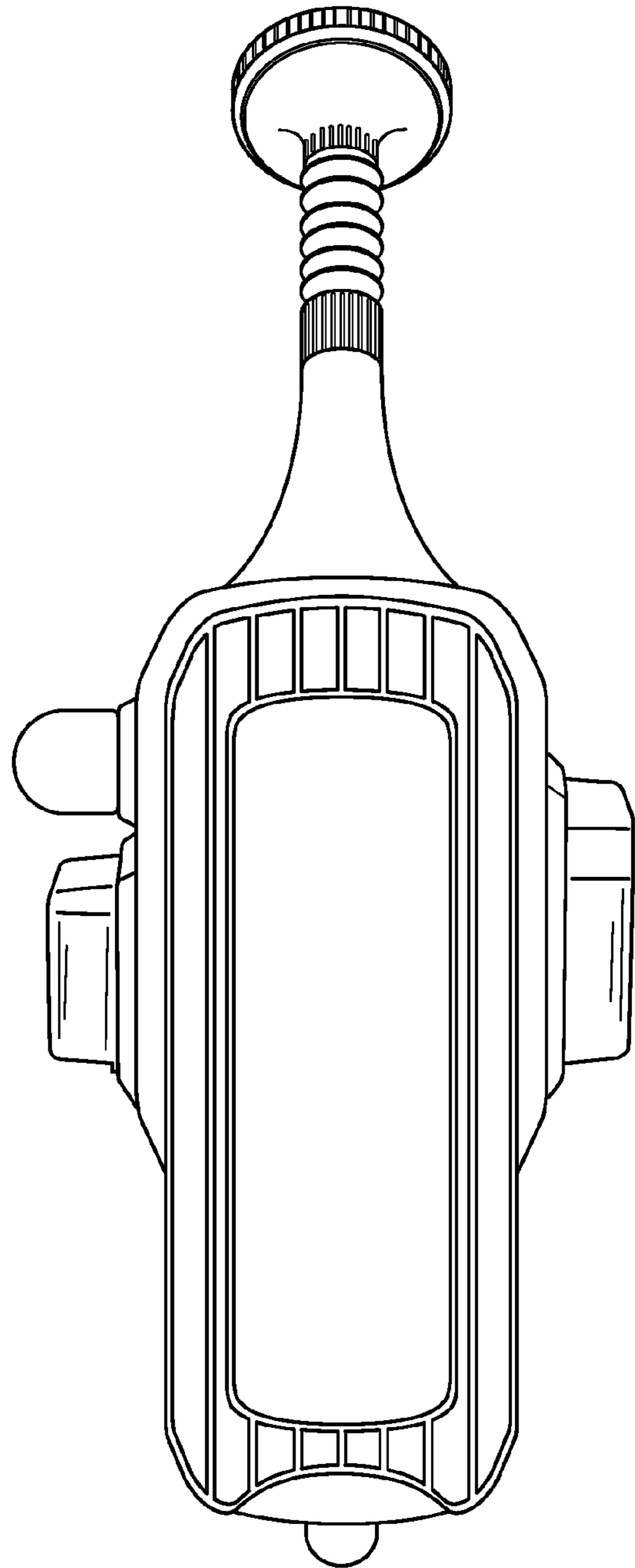


FIG. 7