



US00D589590S

(12) **United States Design Patent**
Bresolin

(10) **Patent No.:** **US D589,590 S**
(45) **Date of Patent:** **** Mar. 31, 2009**

(54) **ROTATING AERATOR FOR AQUARIUMS AND PONDS**

4,072,612 A * 2/1978 Daniel 210/167.23
5,931,982 A * 8/1999 Gottlieb 65/208
5,938,981 A * 8/1999 Burgess 261/34.1
6,655,663 B2 * 12/2003 Vento 261/29

(75) Inventor: **Valerio Bresolin**, Vicenza (IT)

(73) Assignee: **Hydor Srl**, Vicenza (IT)

* cited by examiner

(**) Term: **14 Years**

Primary Examiner—Robin V Webster
(74) *Attorney, Agent, or Firm*—Griffin & Szipl, P.C.

(21) Appl. No.: **29/231,952**

(57) **CLAIM**

(22) Filed: **Jun. 13, 2005**

The ornamental design for a rotating aerator for aquariums and ponds, as shown and described.

(30) **Foreign Application Priority Data**

Dec. 13, 2004 (IT) VE2004O0012

DESCRIPTION

(51) **LOC (9) Cl.** **23-01**

FIG. 1 is a top view of an embodiment of the aerator of the present invention.

(52) **U.S. Cl.** **D23/210; D30/106**

FIG. 2 is a front view of the embodiment of the present invention.

(58) **Field of Classification Search** D23/210,
D23/214; D30/106; 261/93, 122.1; 119/263;
210/167.23, 167.26

FIG. 3. is a bottom view of the embodiment.

See application file for complete search history.

FIG. 4 is a rear view of the embodiment.

(56) **References Cited**

FIG. 5 is a side view of the embodiment; and,

U.S. PATENT DOCUMENTS

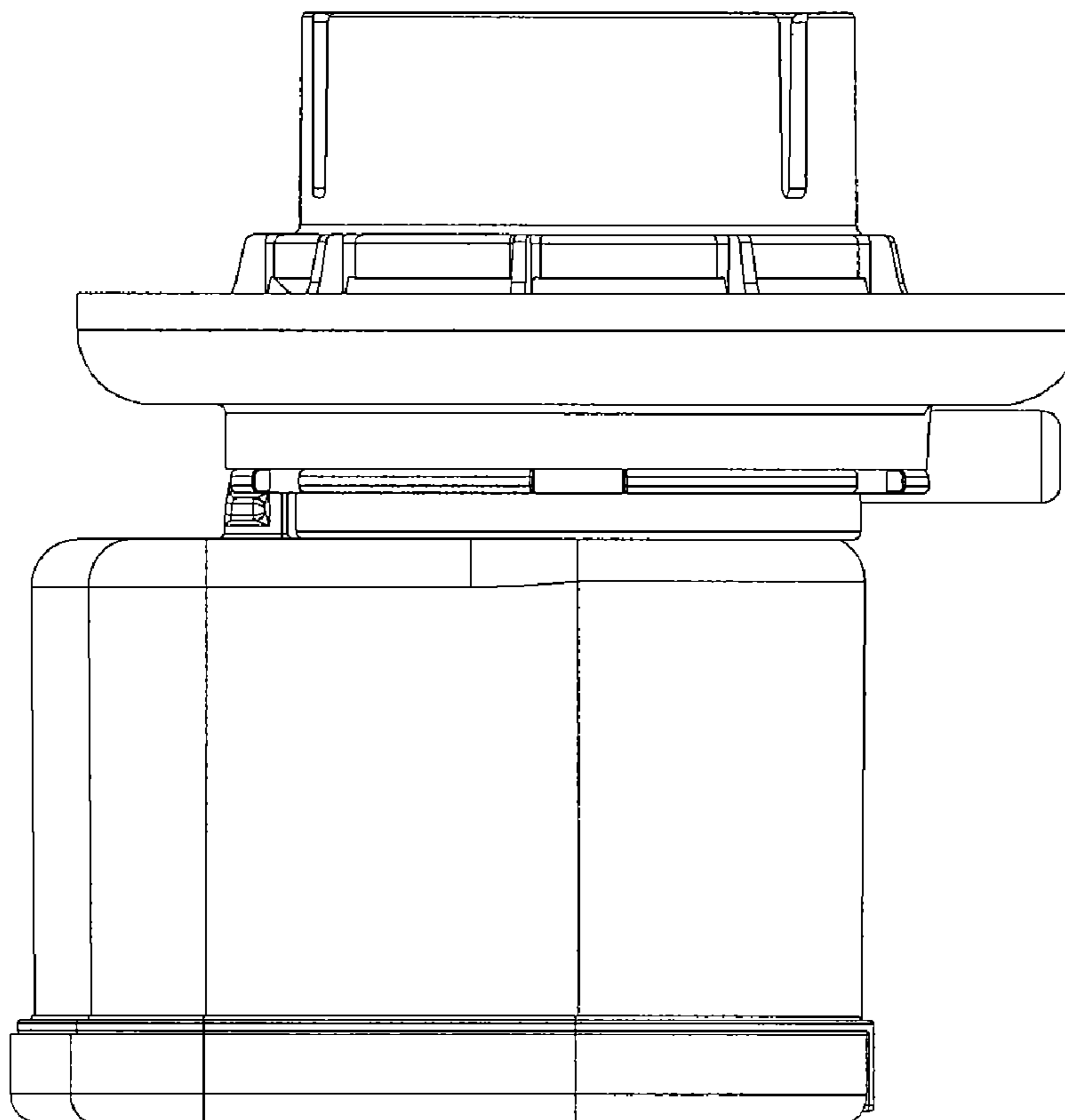
FIG. 6 is a view the side of the embodiment opposite the side shown in FIG. 5.

2,788,170 A * 4/1957 Kato et al. 417/413.1

2,942,772 A * 6/1960 Buchanan 417/413.1

D240,305 S * 6/1976 Suchowski et al. D30/106

1 Claim, 6 Drawing Sheets



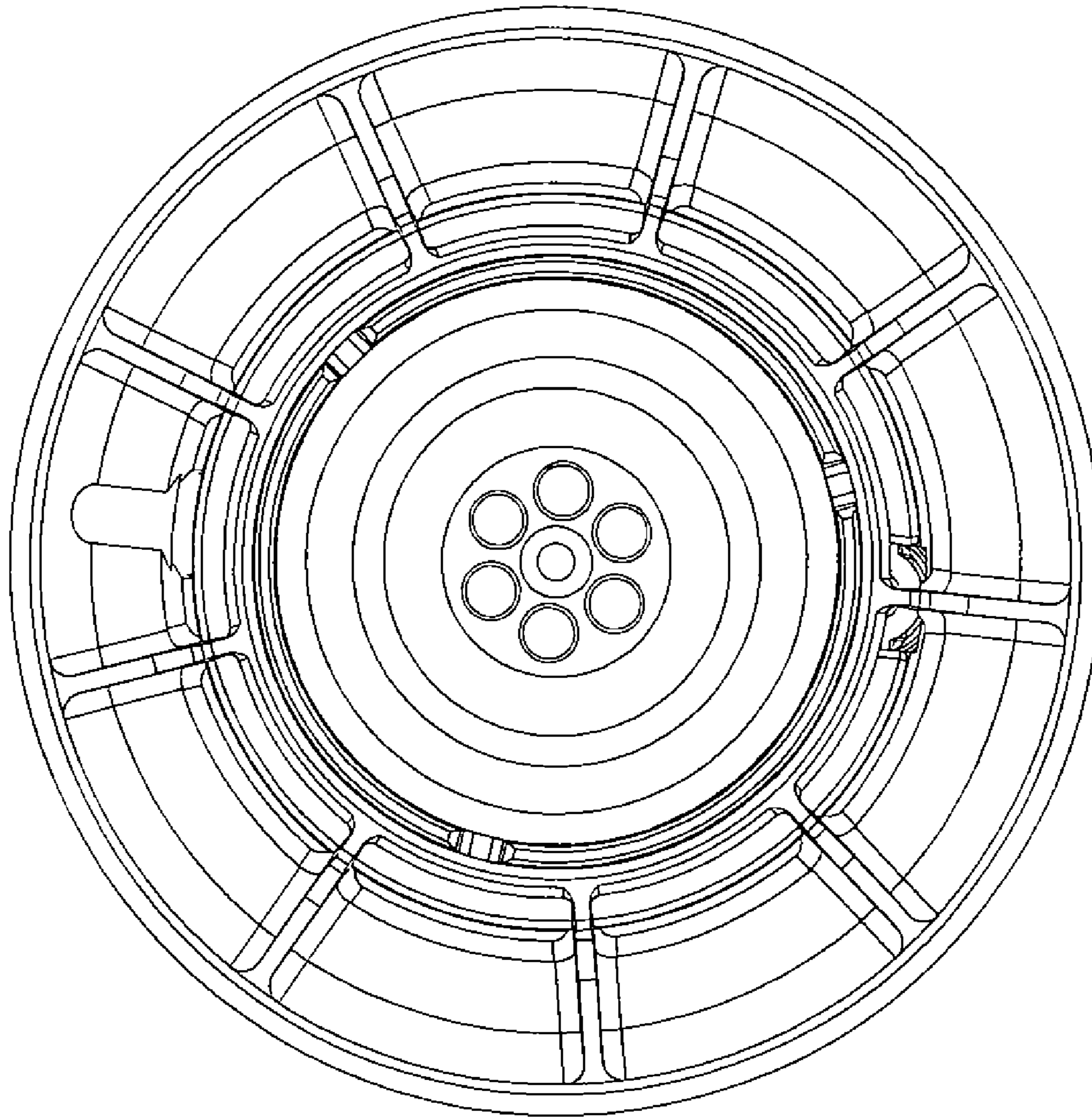


FIG. 1

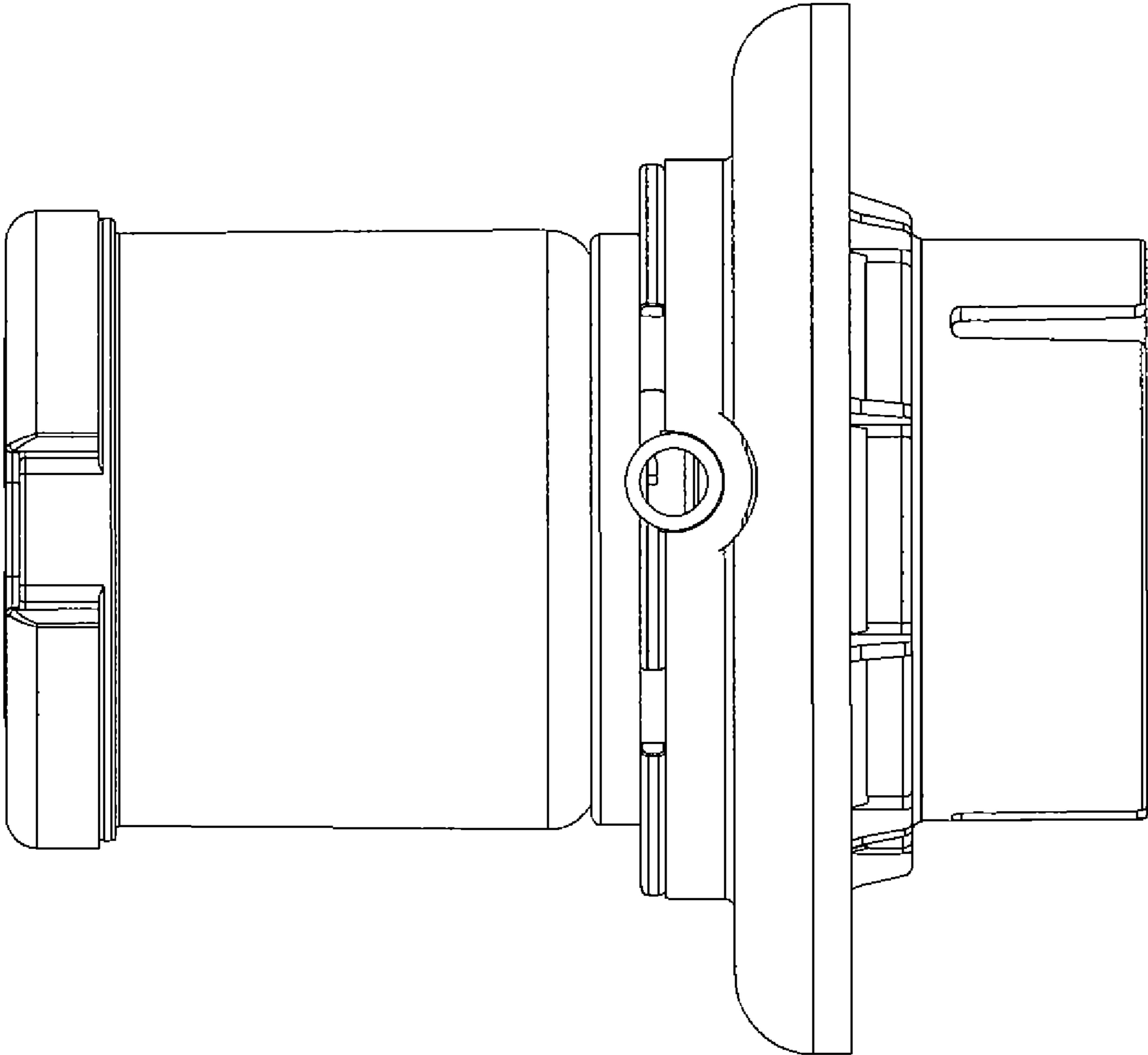


FIG. 2

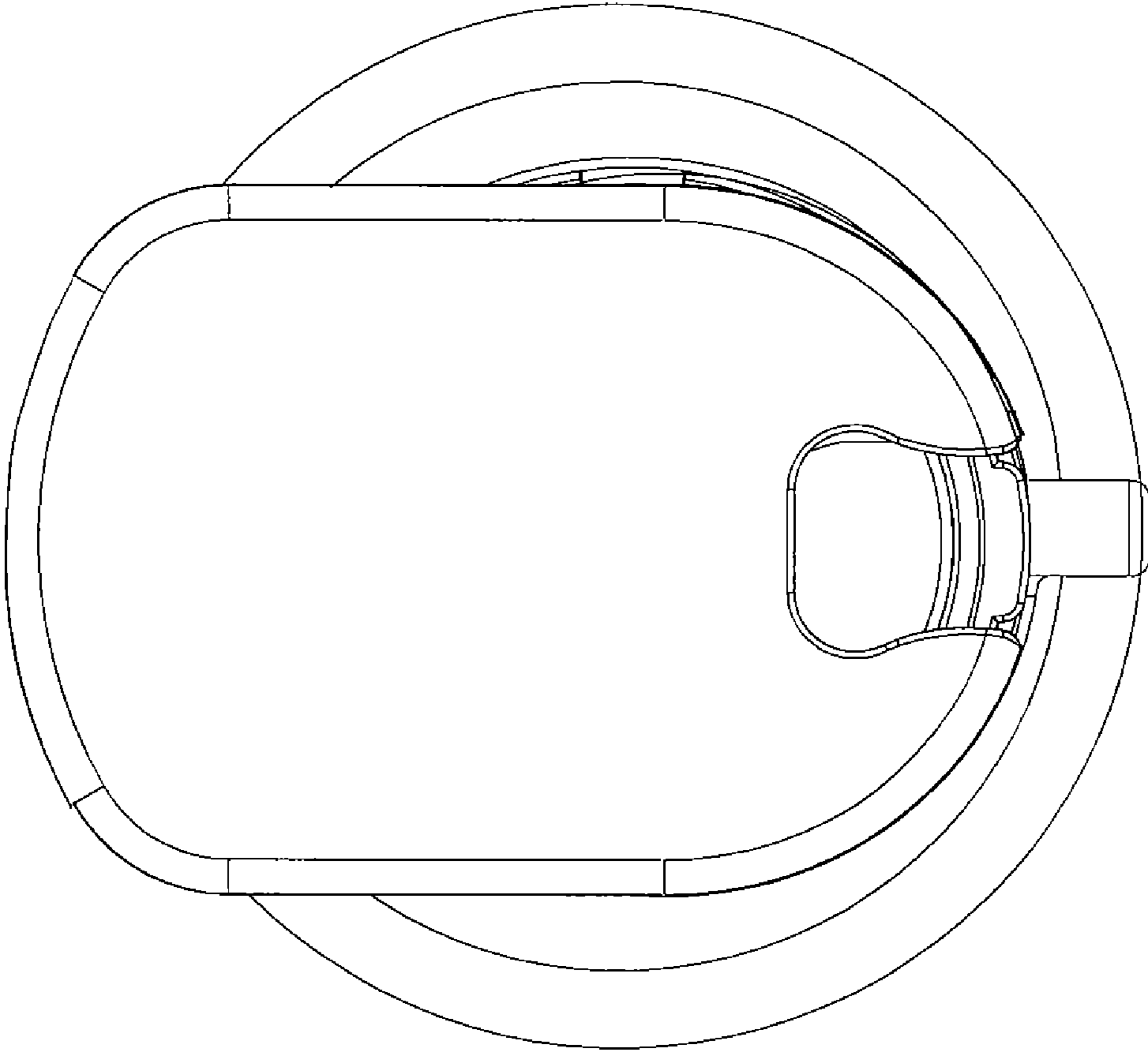


FIG. 3

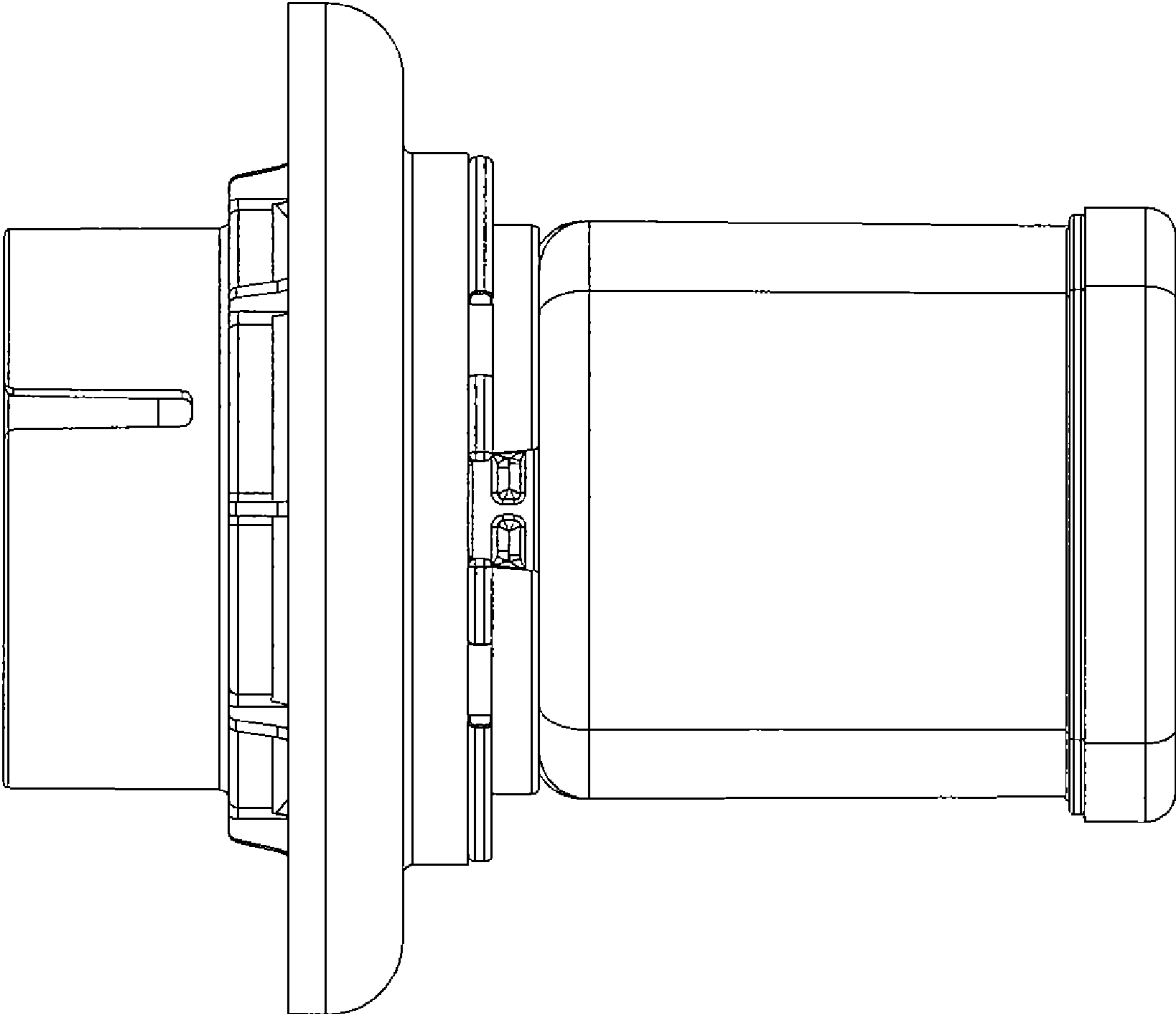


FIG.4

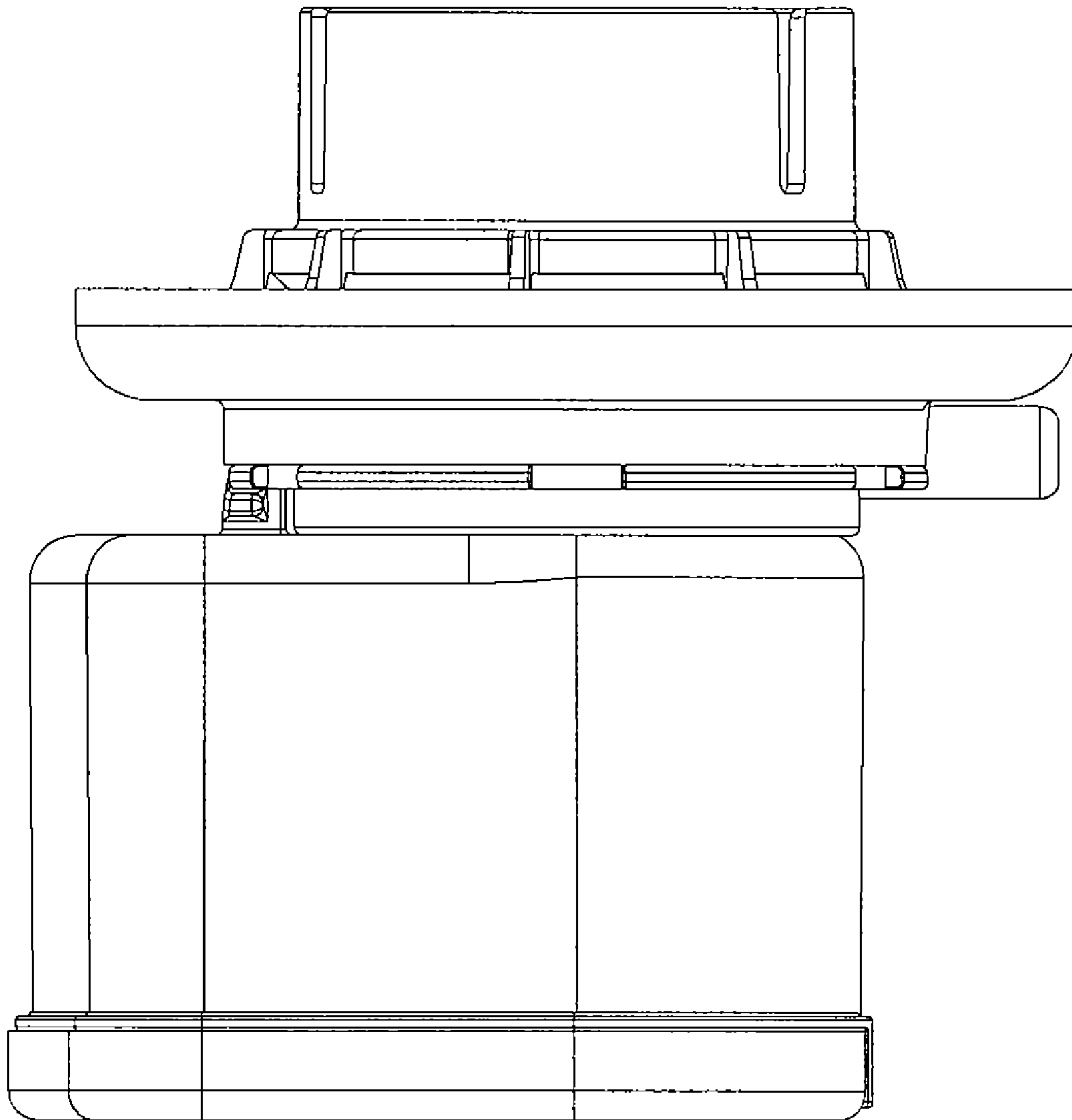


FIG. 5

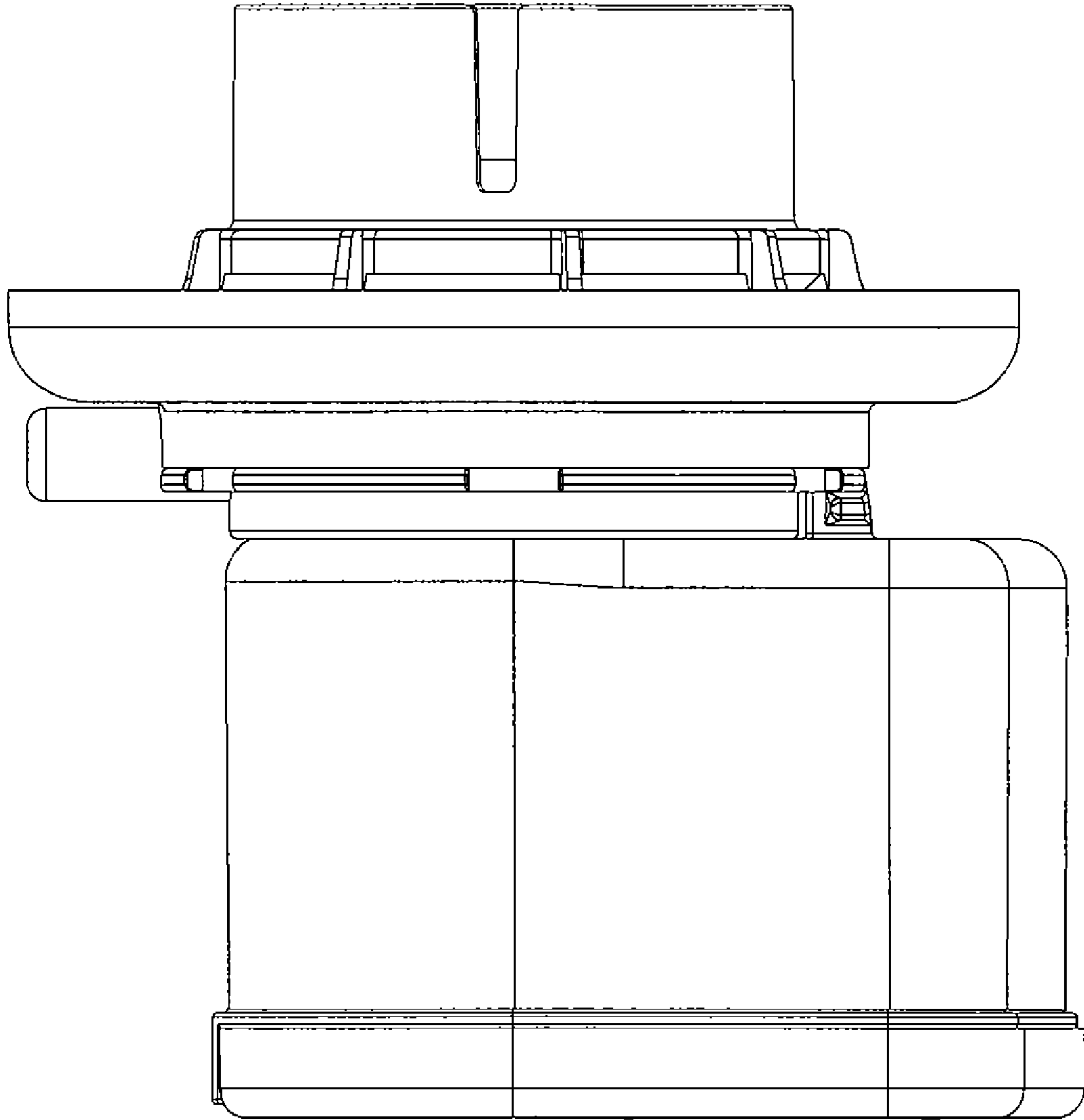


FIG. 6