



US00D589588S

(12) **United States Design Patent**
Begaye

(10) **Patent No.:** **US D589,588 S**
(45) **Date of Patent:** **** Mar. 31, 2009**

(54) **FISHING ROD HOLDER**

(76) Inventor: **Timothy M. Begaye**, Barstow, CA (US);
Guy Begaye, legal representative, 613
Sunset Ct., Barstow, CA (US) 92311

(**) Term: **14 Years**

(21) Appl. No.: **29/302,636**

(22) Filed: **Jan. 21, 2008**

(51) **LOC (9) Cl.** **22-06**

(52) **U.S. Cl.** **D22/147**

(58) **Field of Classification Search** D22/147,
D22/148, 108-109, 199; 43/21.2, 17, 54.1;
248/156, 517-518, 533, 538, 545; 224/922
See application file for complete search history.

(56) **References Cited**

U.S. PATENT DOCUMENTS

4,936,039	A	6/1990	Huber et al.	
4,938,446	A	7/1990	Williams	
5,187,891	A	2/1993	Stanishewski	
D337,808	S *	7/1993	Parker D22/148
D353,871	S	12/1994	Short	
5,383,299	A *	1/1995	Smelker 43/21.2
5,934,004	A	8/1999	Koe	
6,263,608	B1	7/2001	Ernst	

D448,447	S *	9/2001	Sheppard D22/147
6,490,823	B1	12/2002	Ibarra	
D471,952	S *	3/2003	Cardenas D22/147
6,651,374	B1	11/2003	Ridlen	
D489,118	S *	4/2004	Preiss D22/147

* cited by examiner

Primary Examiner—Catherine R Oliver

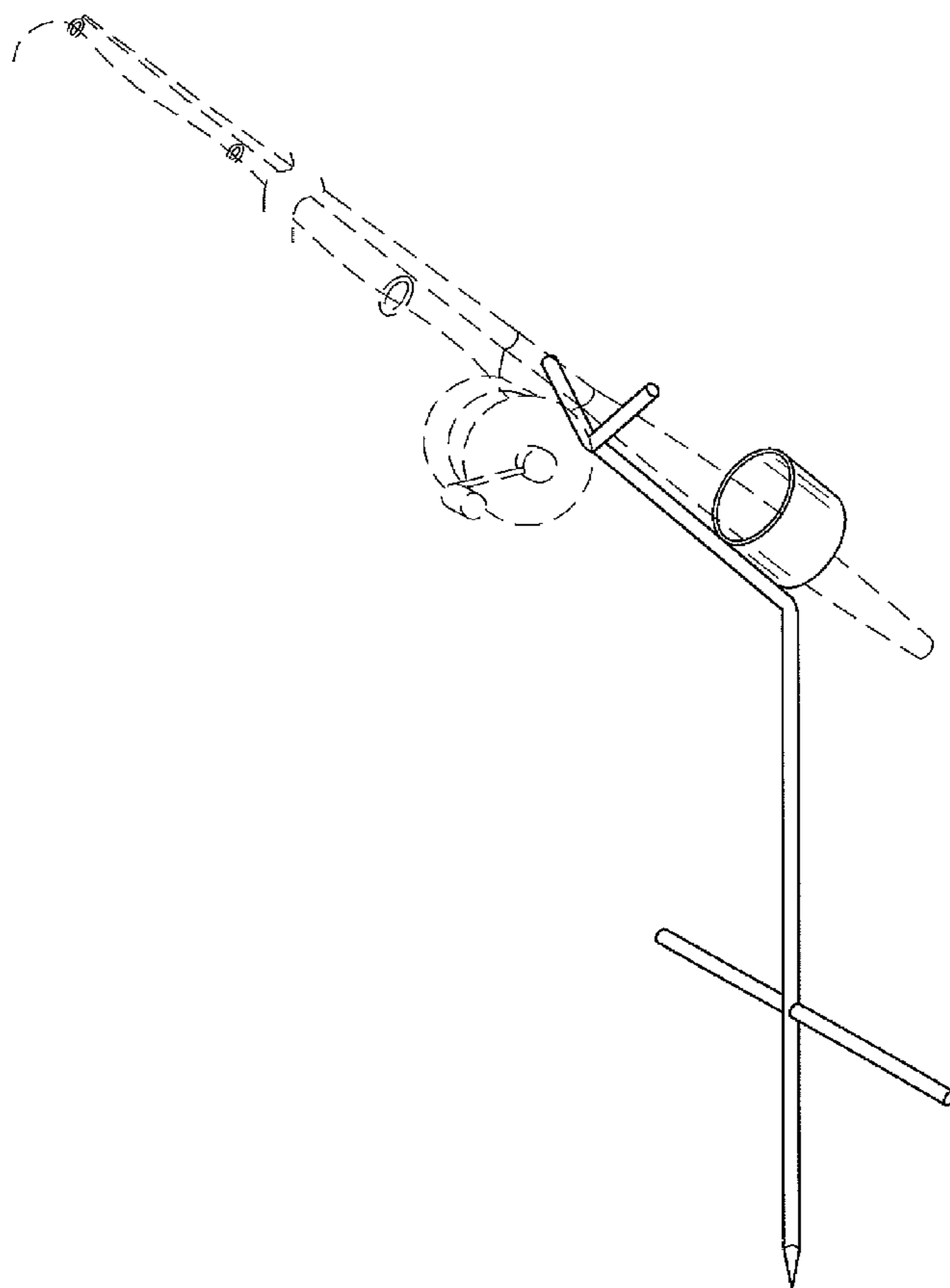
(57) **CLAIM**

The ornamental design for a fishing rod holder, as shown and described.

DESCRIPTION

FIG. 1 is a front elevated view of a fishing rod holder showing my new design;
FIG. 2 is a rear elevated view of the fishing rod holder;
FIG. 3 is a side elevated view of the fishing rod holder;
FIG. 4 is a top plan view of the fishing rod holder;
FIG. 5 is a bottom plan view of the fishing rod holder; and,
FIG. 6 is a perspective plan view of the fishing rod holder.
No claim is made to the objects in phantom lines presented in FIG. 6.

1 Claim, 3 Drawing Sheets



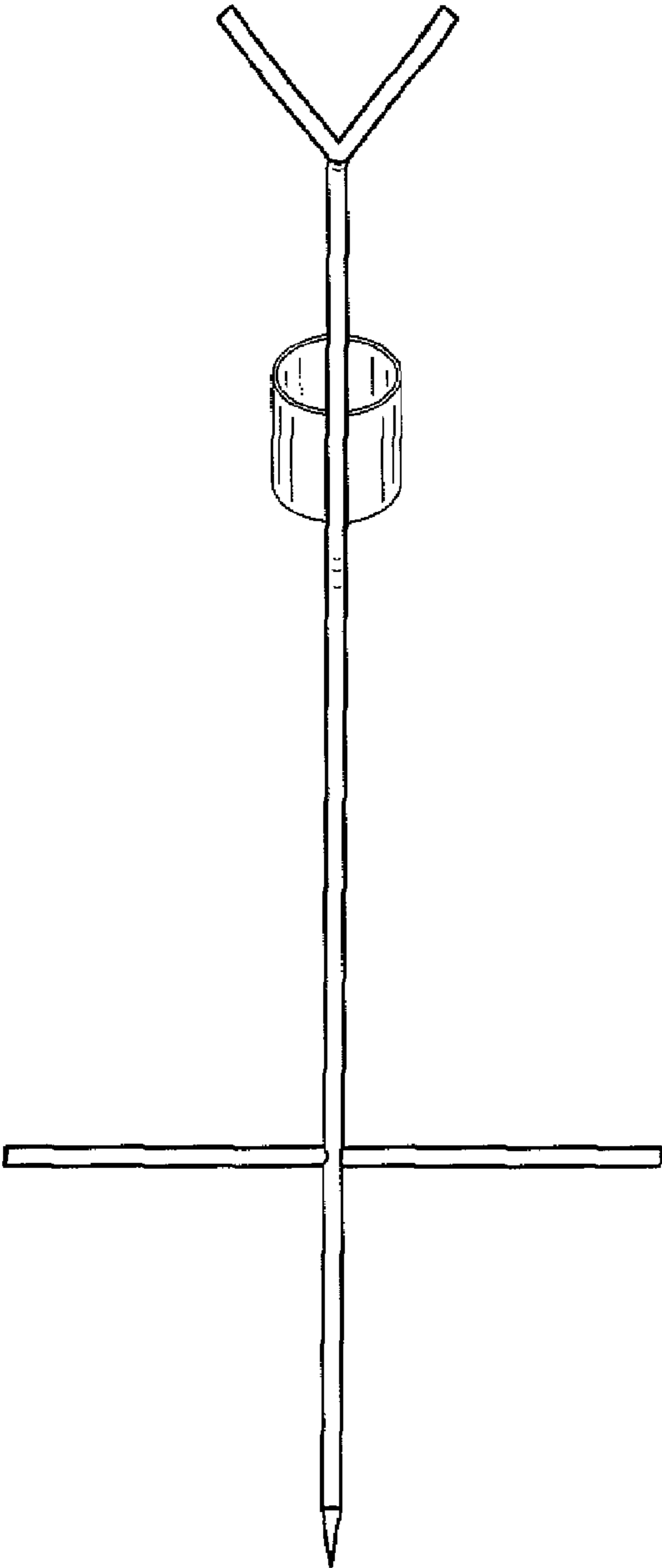


FIG. 1

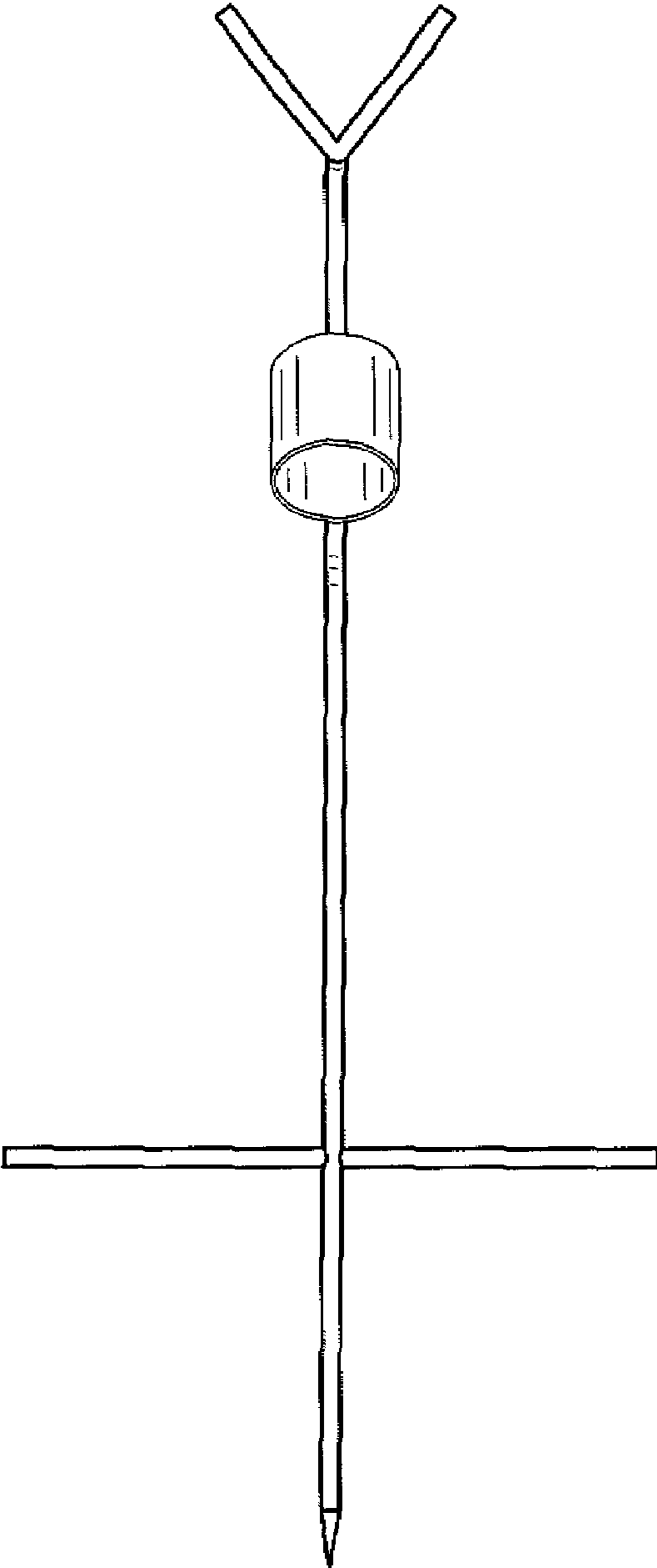


FIG. 2

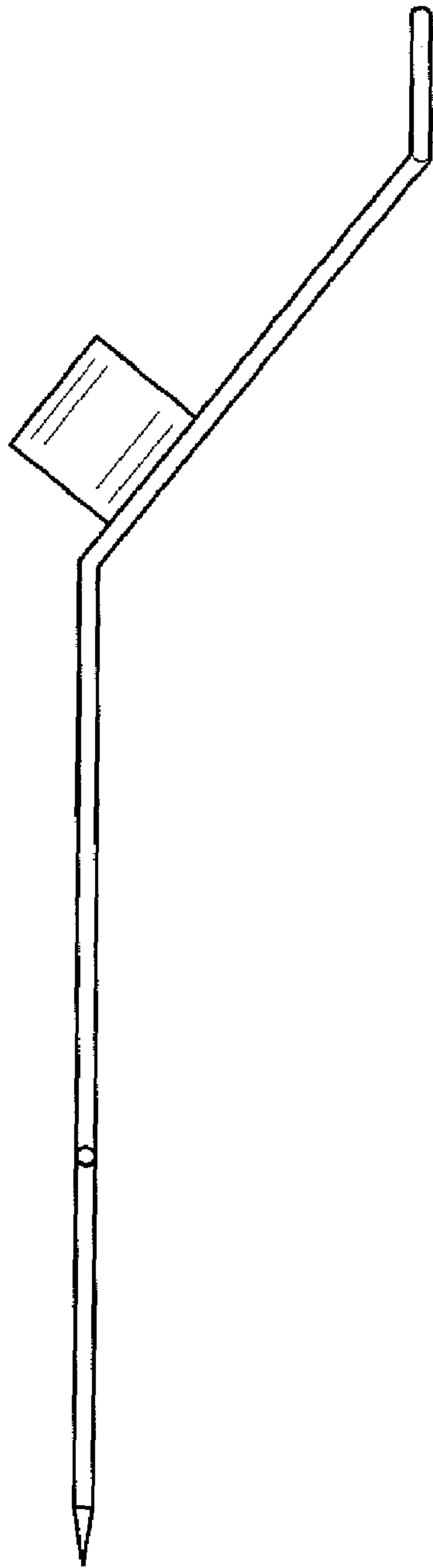


FIG. 3

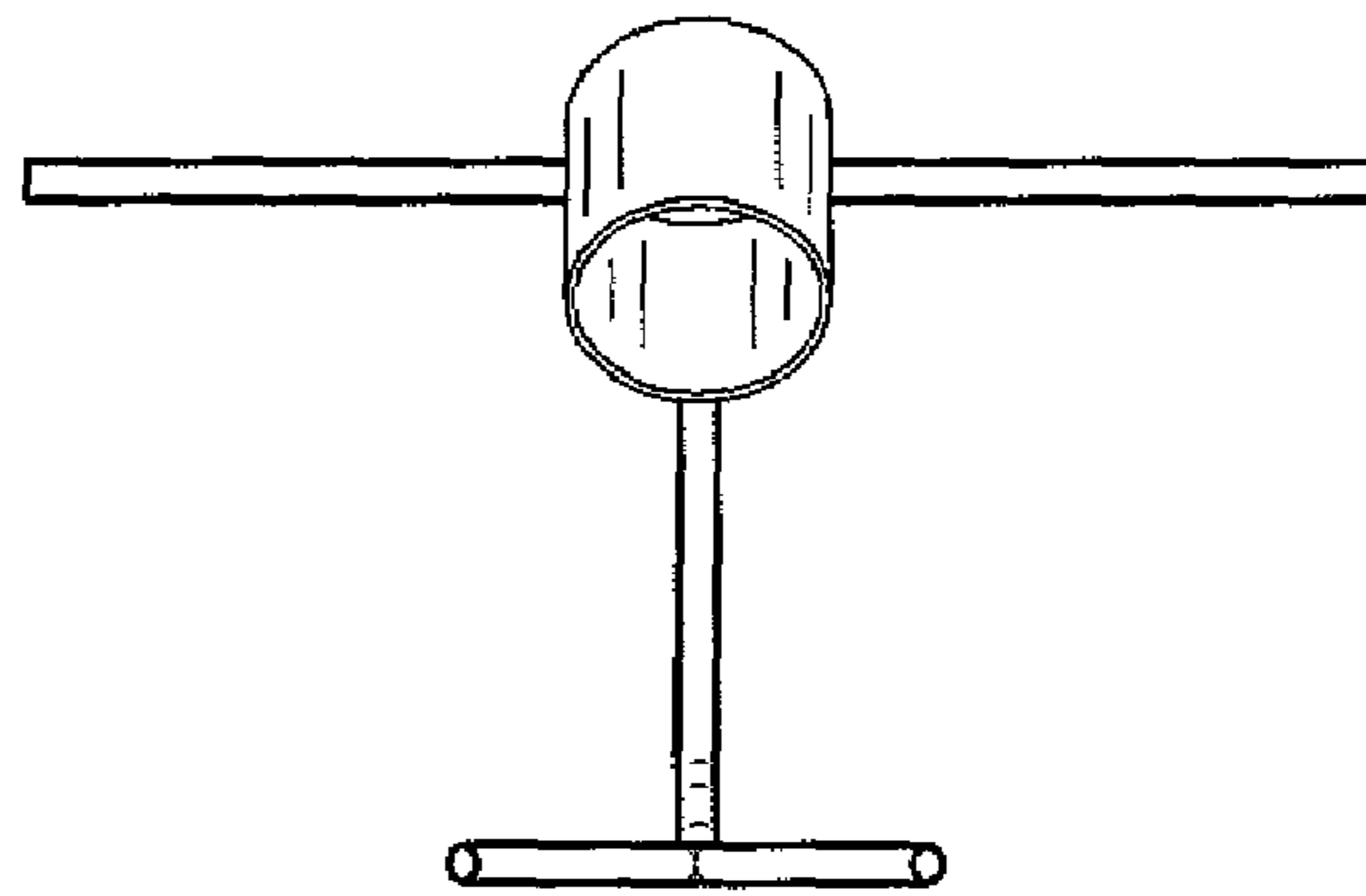


FIG. 4

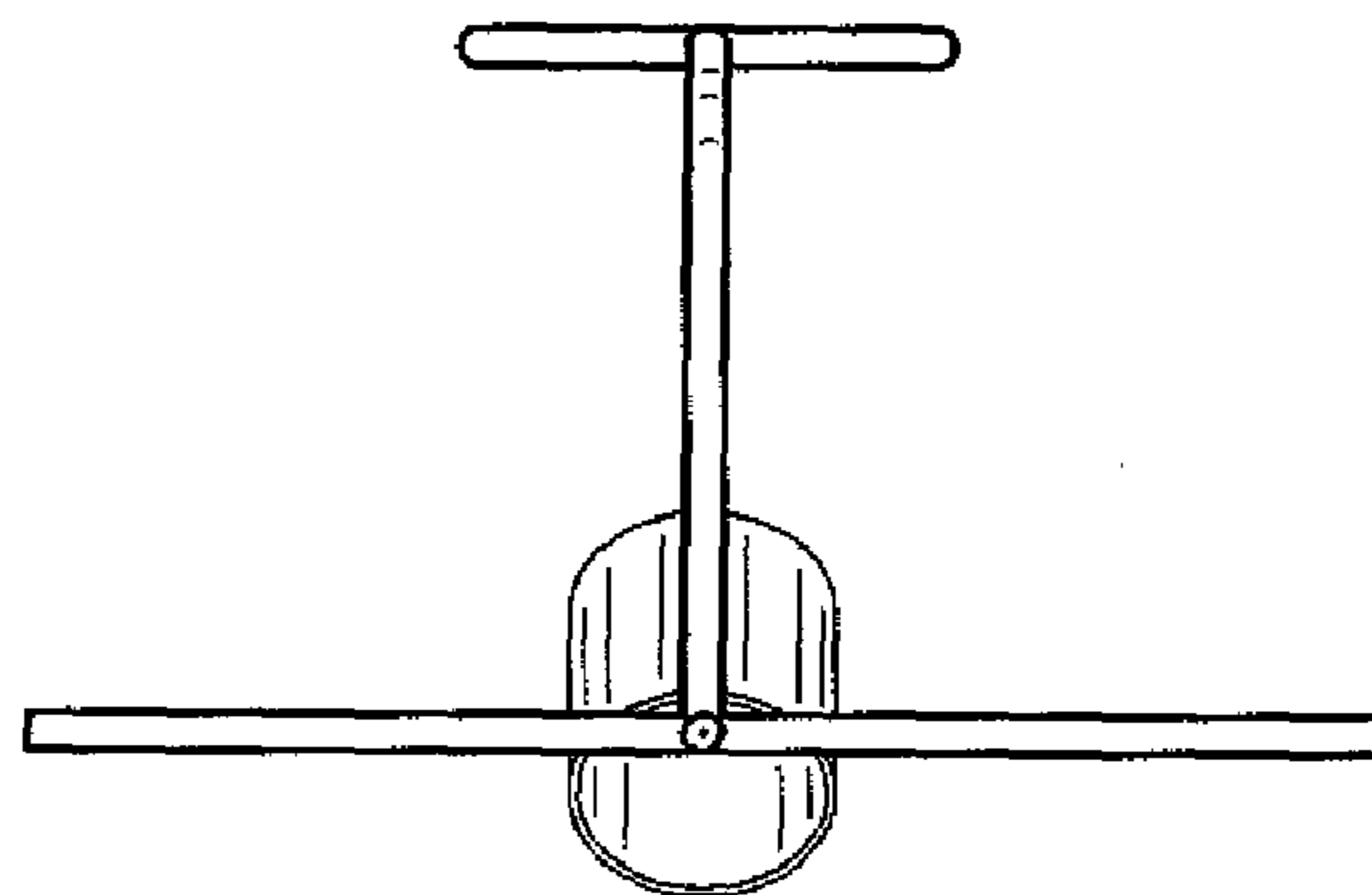


FIG. 5

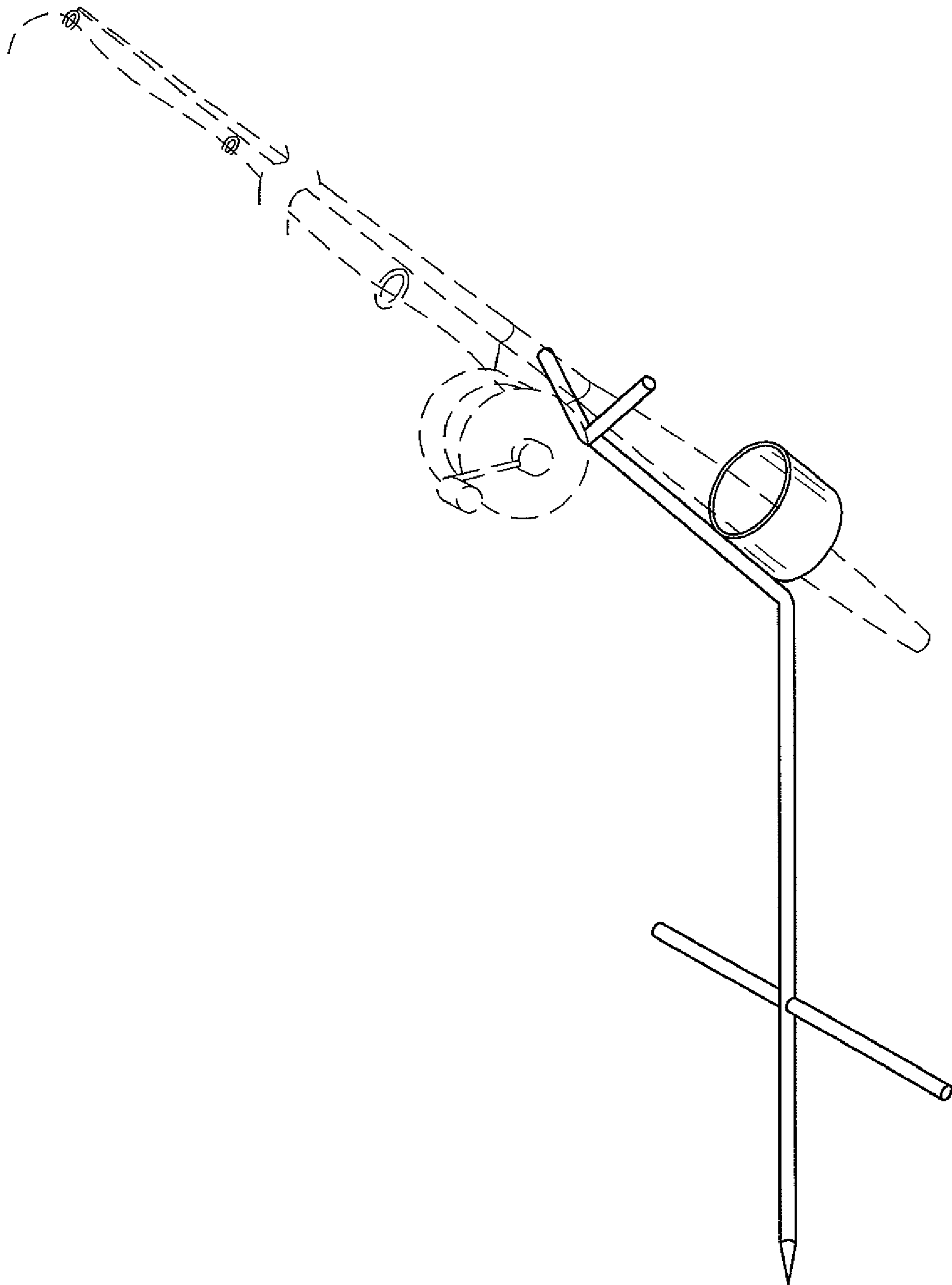


FIG. 6