



US00D589586S

(12) **United States Design Patent**
Noma

(10) **Patent No.:** **US D589,586 S**
(45) **Date of Patent:** **** Mar. 31, 2009**

(54) **FISHING REEL PORTION**

(75) Inventor: **Natsuki Noma**, Osaka (JP)

(73) Assignee: **Shimano Inc.**, Osaka (JP)

(**) Term: **14 Years**

(21) Appl. No.: **29/325,262**

(22) Filed: **Sep. 29, 2008**

(30) **Foreign Application Priority Data**

Apr. 7, 1909 (JP) 2008-008835

(51) **LOC (9) Cl.** **22-05**

(52) **U.S. Cl.** **D22/141**

(58) **Field of Classification Search** D22/137–141;
43/20–24; 242/310–315, 311, 318, 322,
242/370, 390

See application file for complete search history.

(56) **References Cited**

U.S. PATENT DOCUMENTS

D528,626 S *	9/2006	Iwabuchi et al.	D22/141
7,118,059 B2 *	10/2006	Morise	242/311
D539,378 S *	3/2007	Kondo et al.	D22/141
D561,871 S *	2/2008	Iwabuchi	D22/141
D574,461 S *	8/2008	Nago	D22/141
D579,513 S *	10/2008	Iwabuchi	D22/141

* cited by examiner

Primary Examiner—Catherine R Oliver

(74) *Attorney, Agent, or Firm*—Global IP Counselors, LLP

(57) **CLAIM**

The ornamental design for a fishing reel portion, as shown and described.

DESCRIPTION

FIG. 1 is a rear perspective view of a fishing reel portion as used in a fishing reel in accordance with my new design;

FIG. 2 is a front perspective view of a fishing reel portion of FIG. 1;

FIG. 3 is a first side elevational view of a fishing reel portion of FIG. 1 as used in a fishing reel;

FIG. 4 is a second side elevational view of a fishing reel portion of FIG. 1 as used in a fishing reel;

FIG. 5 is a rear end elevational view of the fishing reel portion of FIG. 1 as used in a fishing reel;

FIG. 6 is a front end elevational view of the fishing reel portion of FIG. 1 as used in a fishing reel;

FIG. 7 is a top plan view of the fishing reel portion of FIG. 1 as used in a fishing reel;

FIG. 8 is a bottom plan view of the fishing reel portion of FIG. 1 as used in a fishing reel;

FIG. 9 is an enlarged, partial rear end perspective view of the fishing reel portion of FIG. 1 as used in a fishing reel;

FIG. 10 is an enlarged, partial front end perspective view of the fishing reel portion of FIG. 1 as used in a fishing reel;

FIG. 11 is a cross sectional view of the fishing reel portion as seen along sectional line 11—11 of FIG. 3;

FIG. 12 is a cross sectional view of the fishing reel portion as seen along sectional line 12—12 of FIG. 3;

FIG. 13 is a cross sectional view of the fishing reel portion as seen along sectional line 13—13 of FIG. 3;

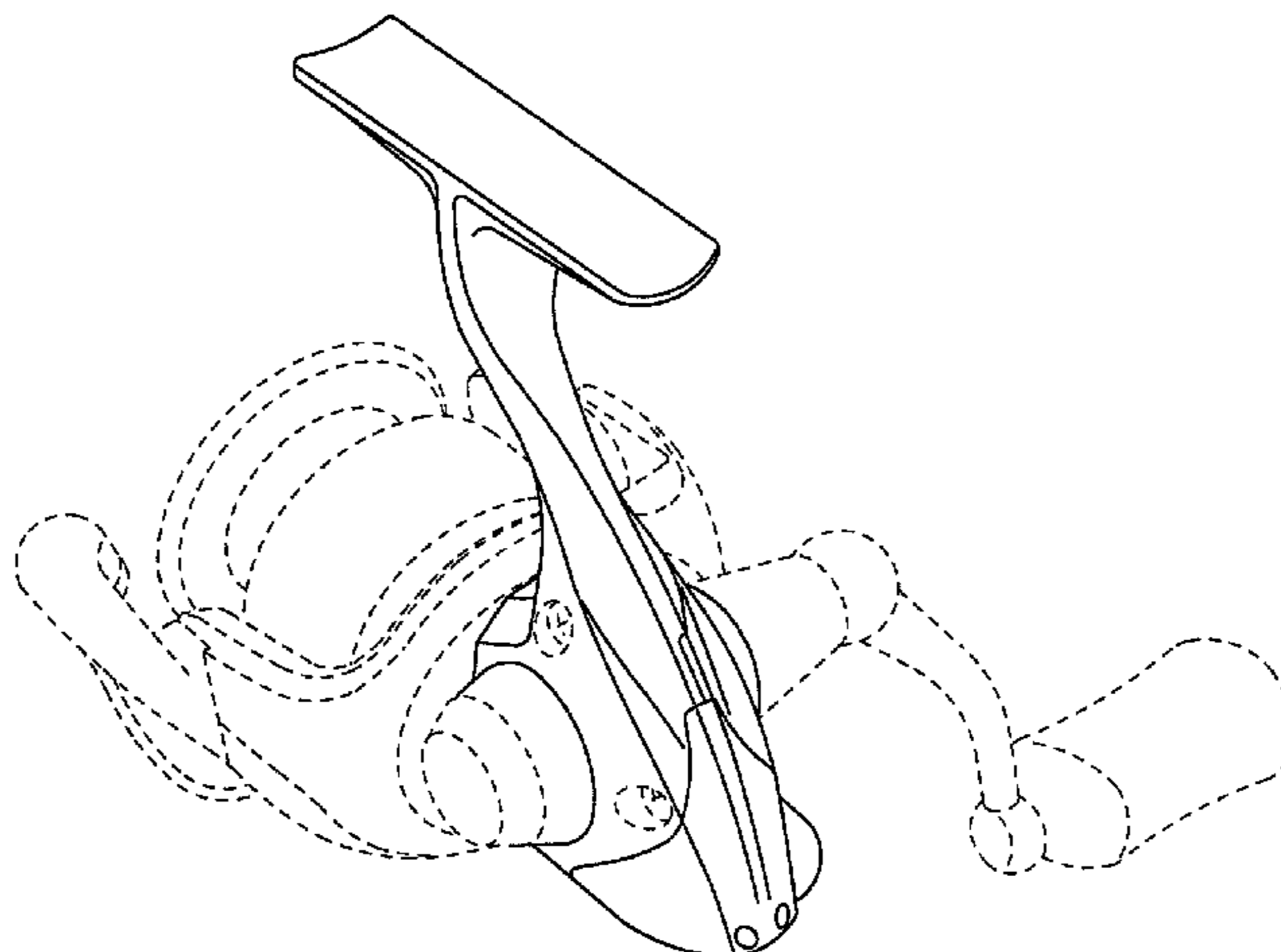
FIG. 14 is a cross sectional view of the fishing reel portion as seen along sectional line 14—14 of FIG. 3;

FIG. 15 is a cross sectional view of the fishing reel portion as seen along sectional line 15—15 of FIG. 3; and,

FIG. 16 is a cross sectional view of the fishing reel portion as seen along sectional line 16—16 of FIG. 3.

The broken lines in the drawing show environmental structure (the remaining structure of the fishing reel portion) or boundaries that form no part of the claimed design to be patented. The cross sectional views are provided to better understand the claimed design and do not depict color or material of the claimed design.

1 Claim, 8 Drawing Sheets



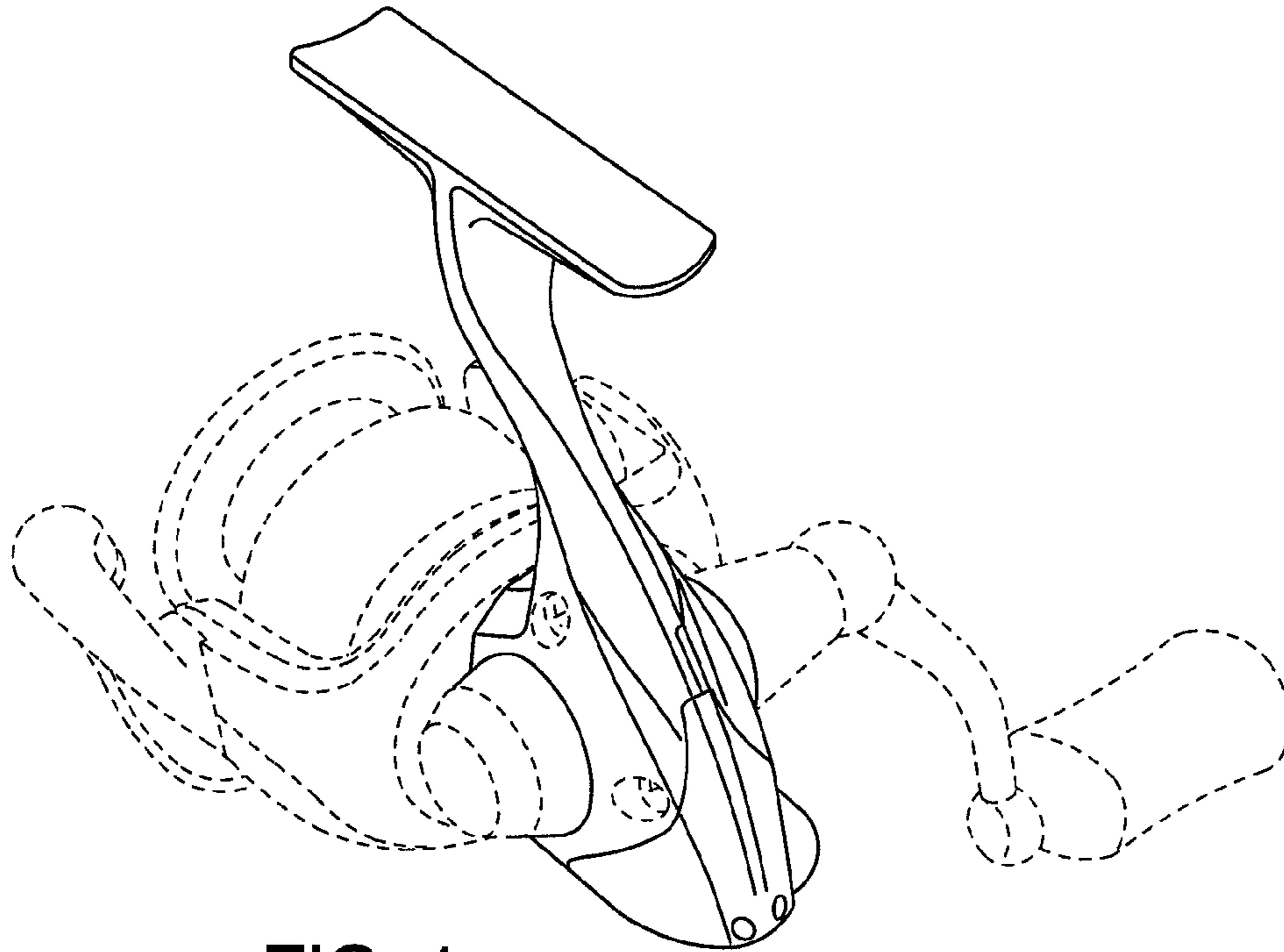


FIG. 1

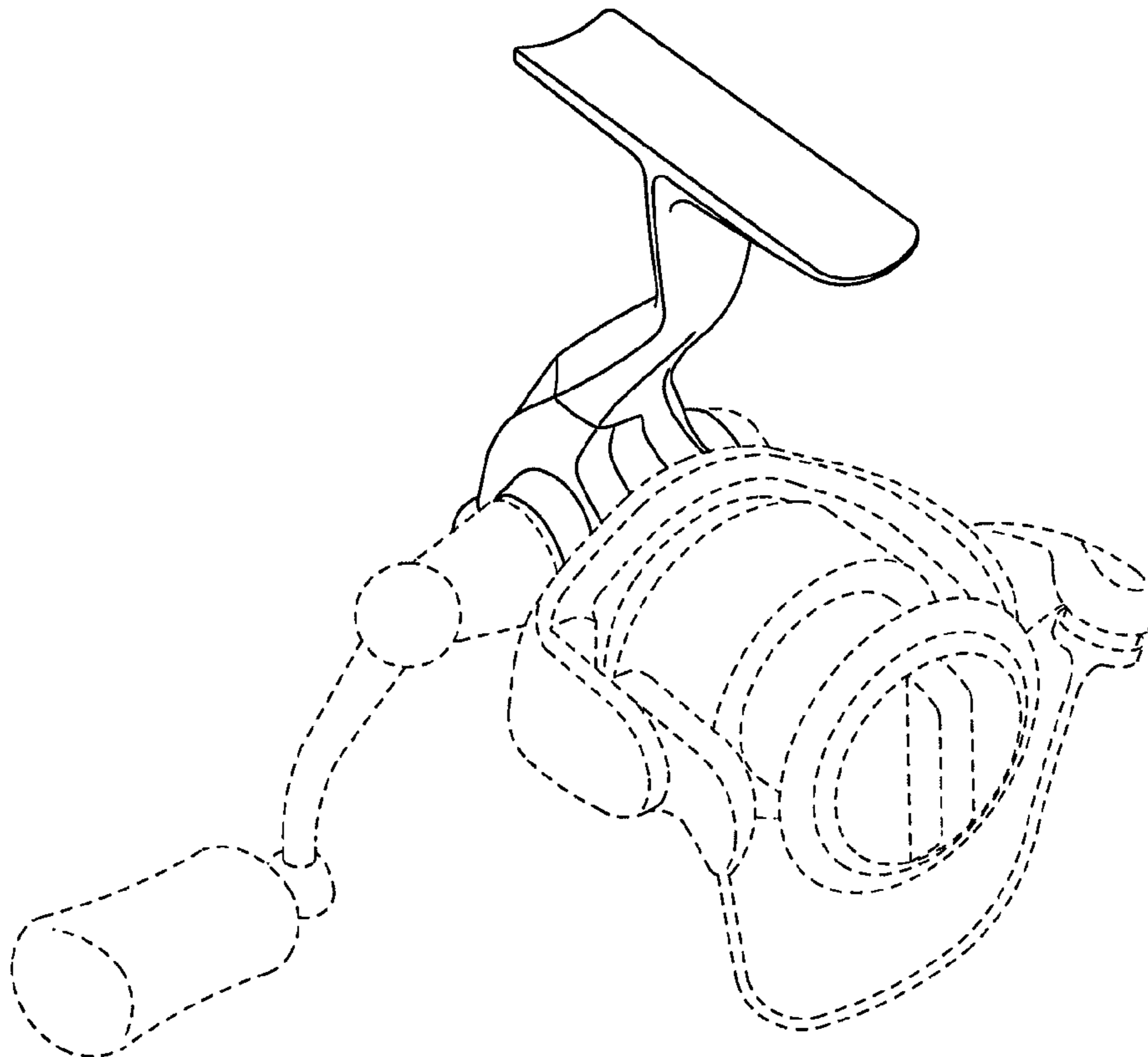


FIG. 2

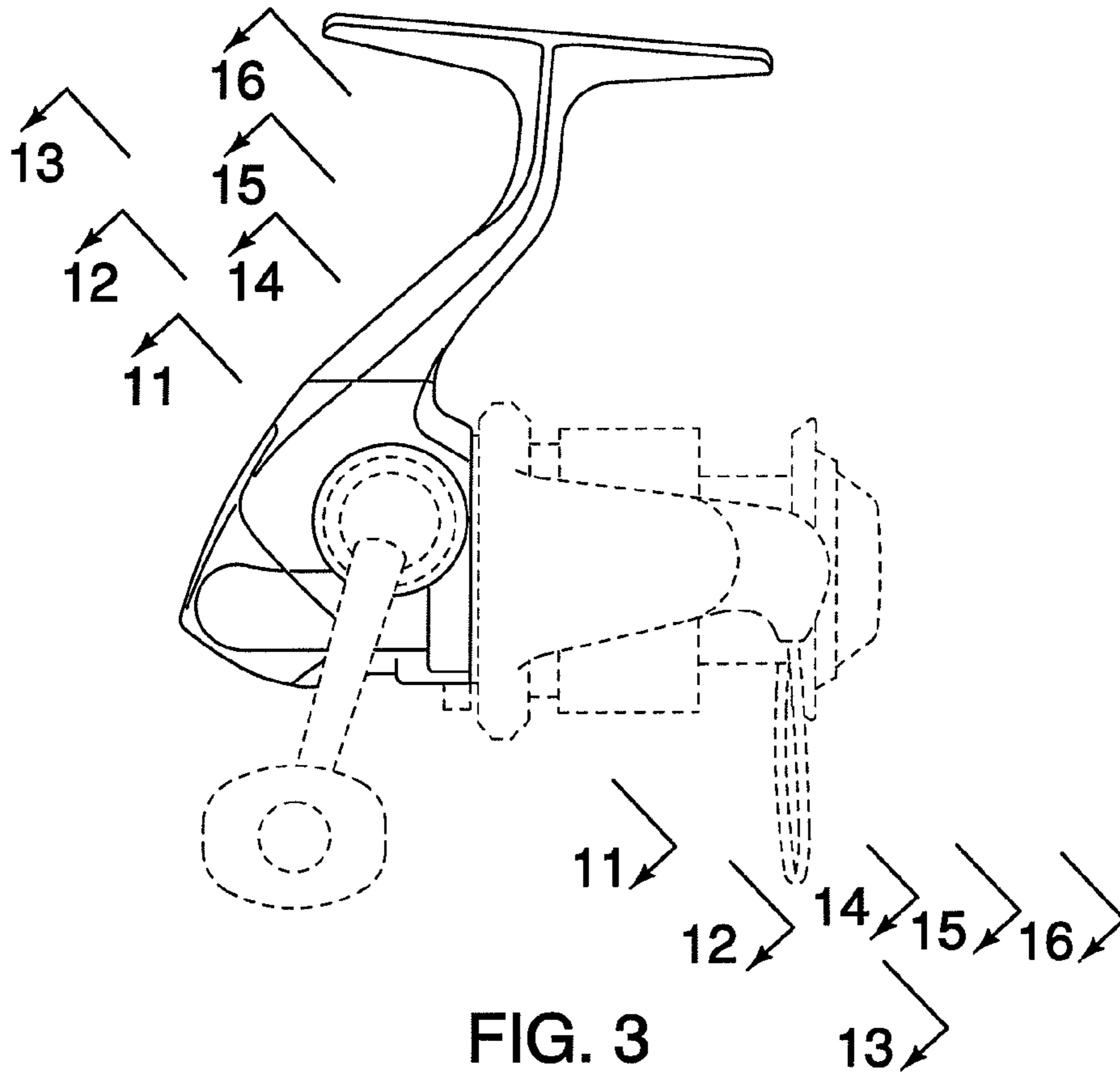


FIG. 3

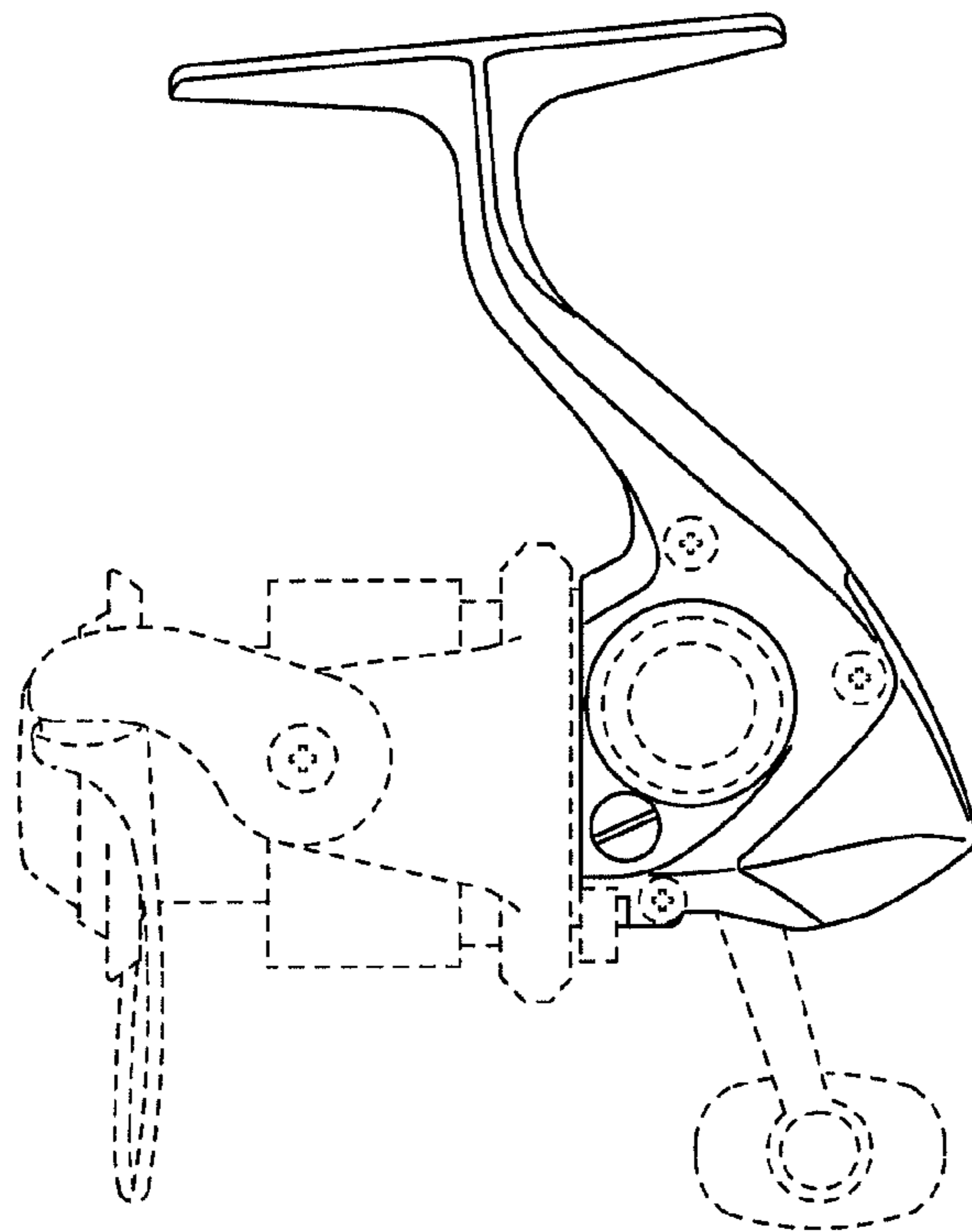


FIG. 4

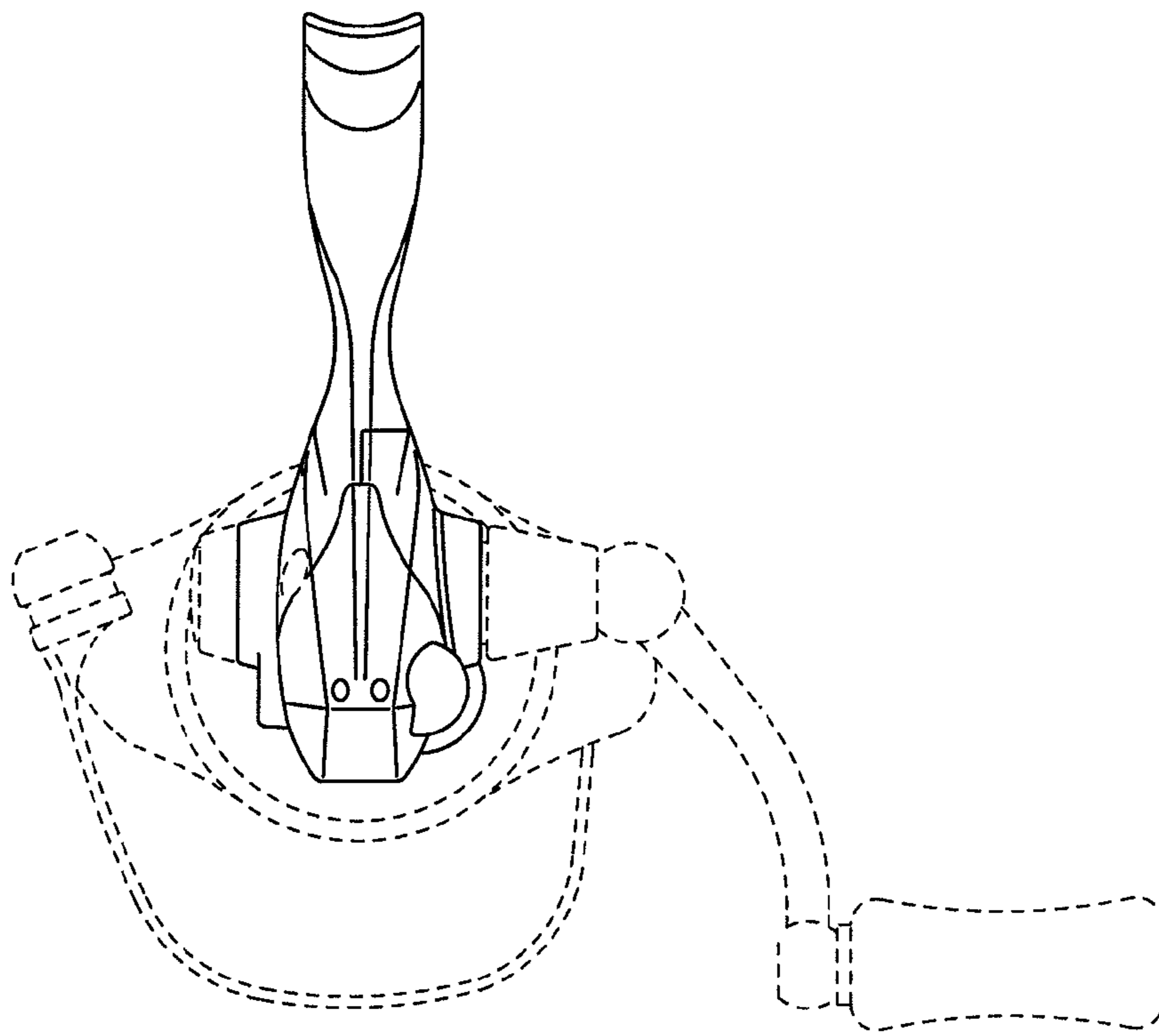


FIG. 5

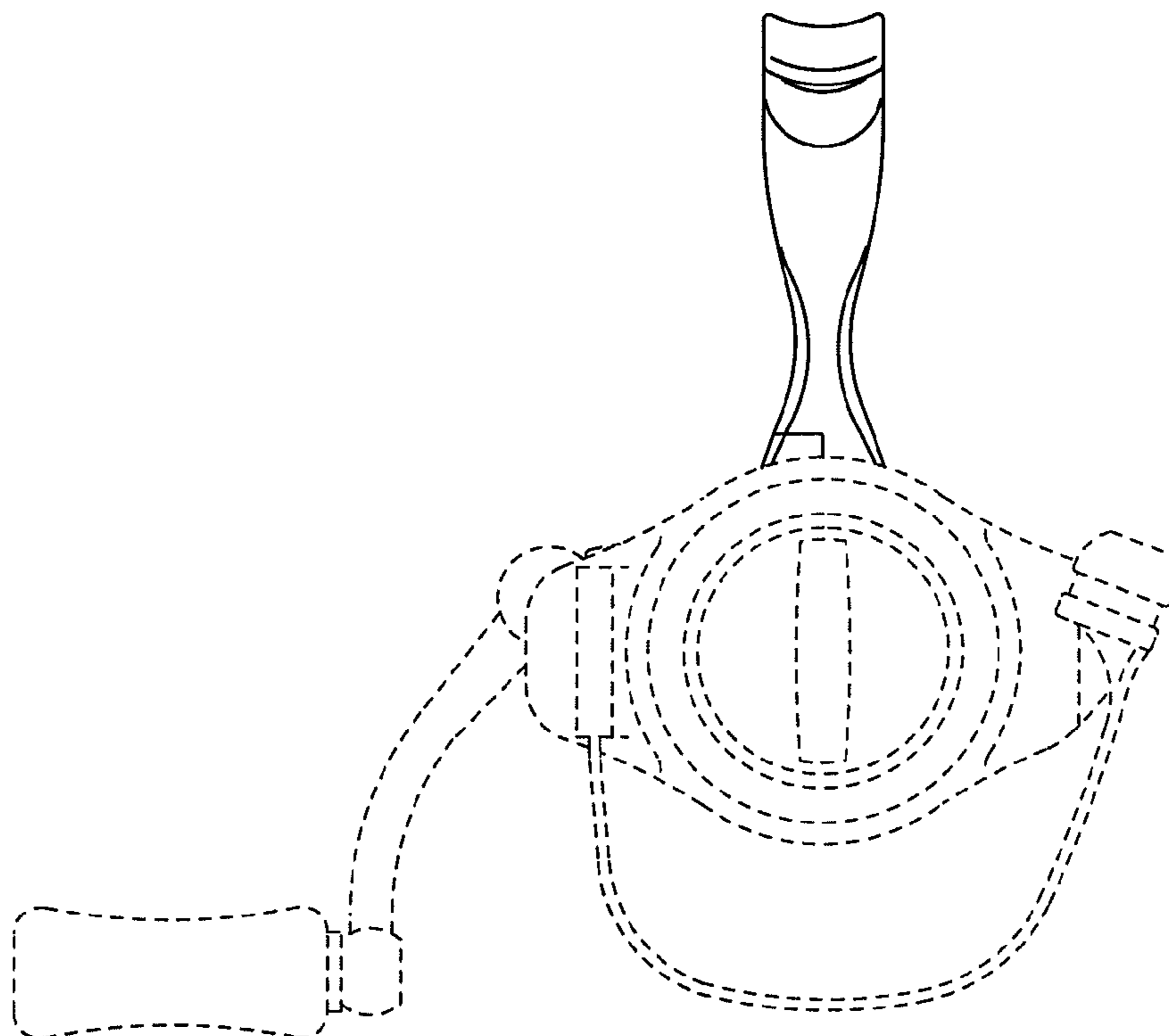


FIG. 6

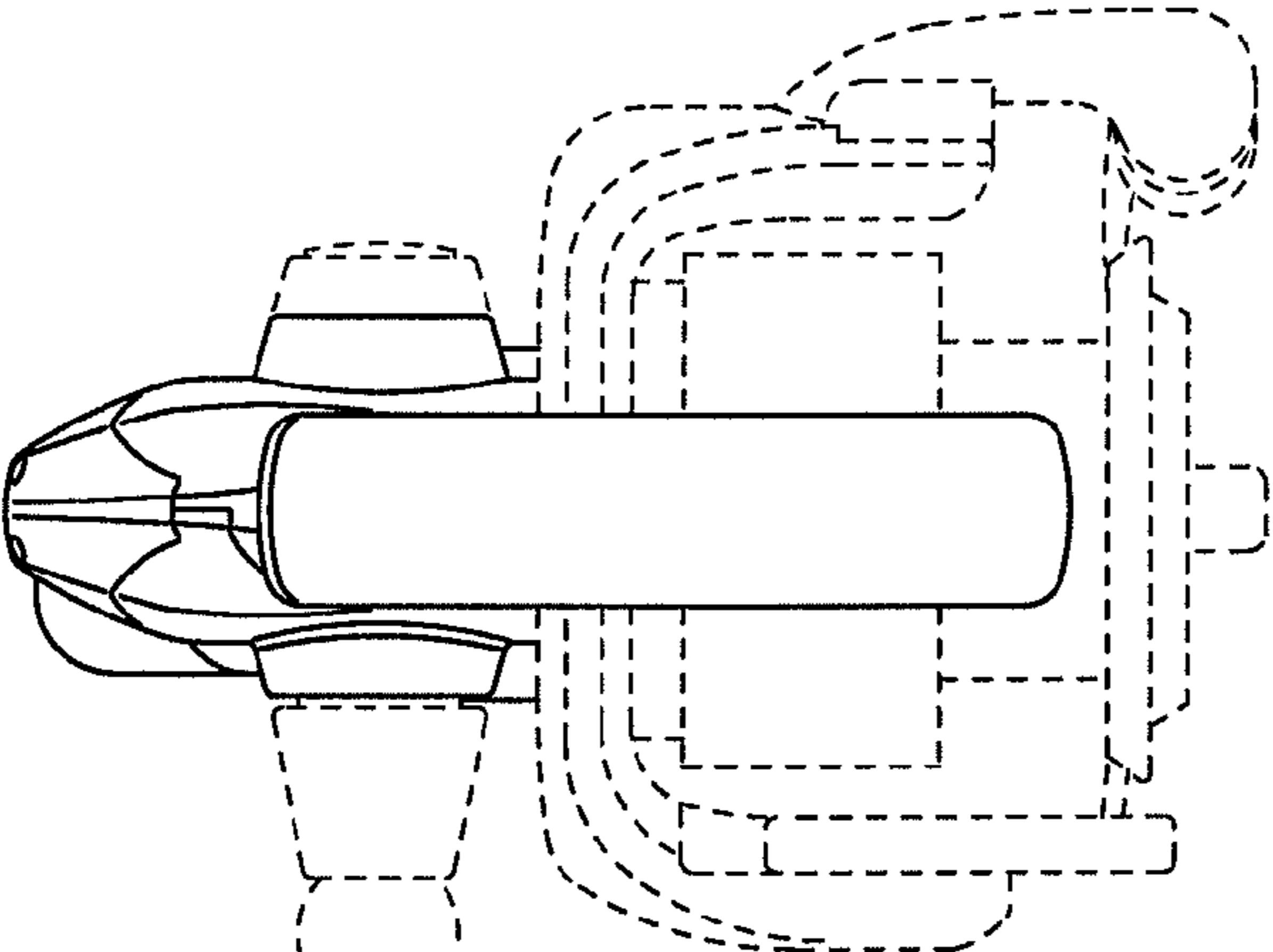


FIG. 7

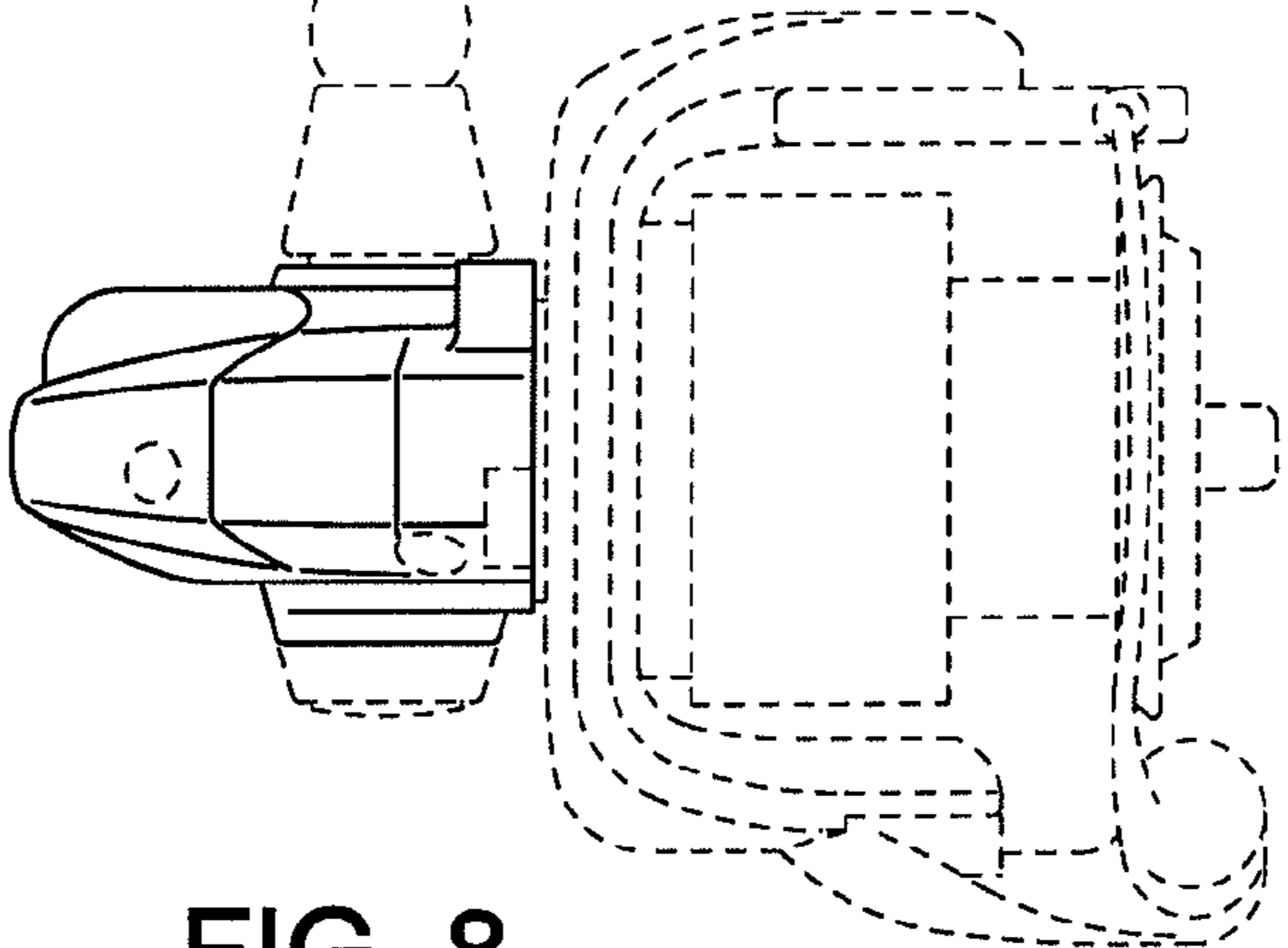
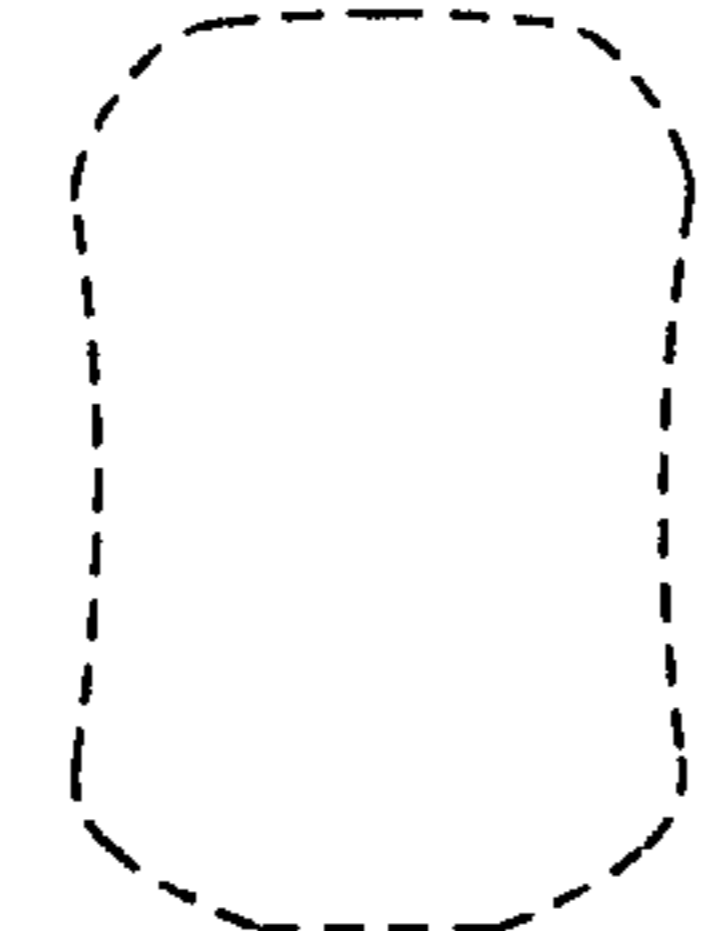


FIG. 8

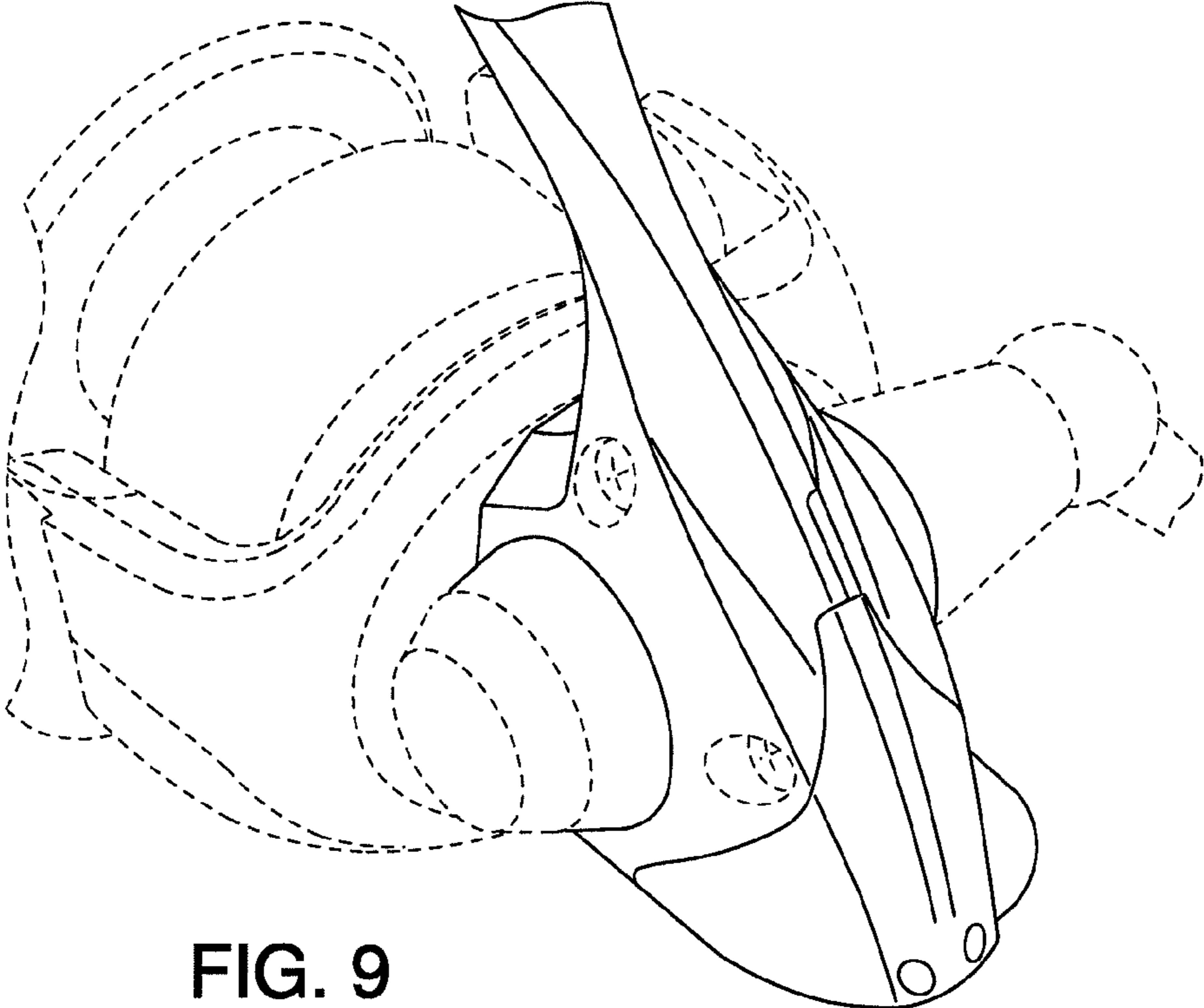


FIG. 9

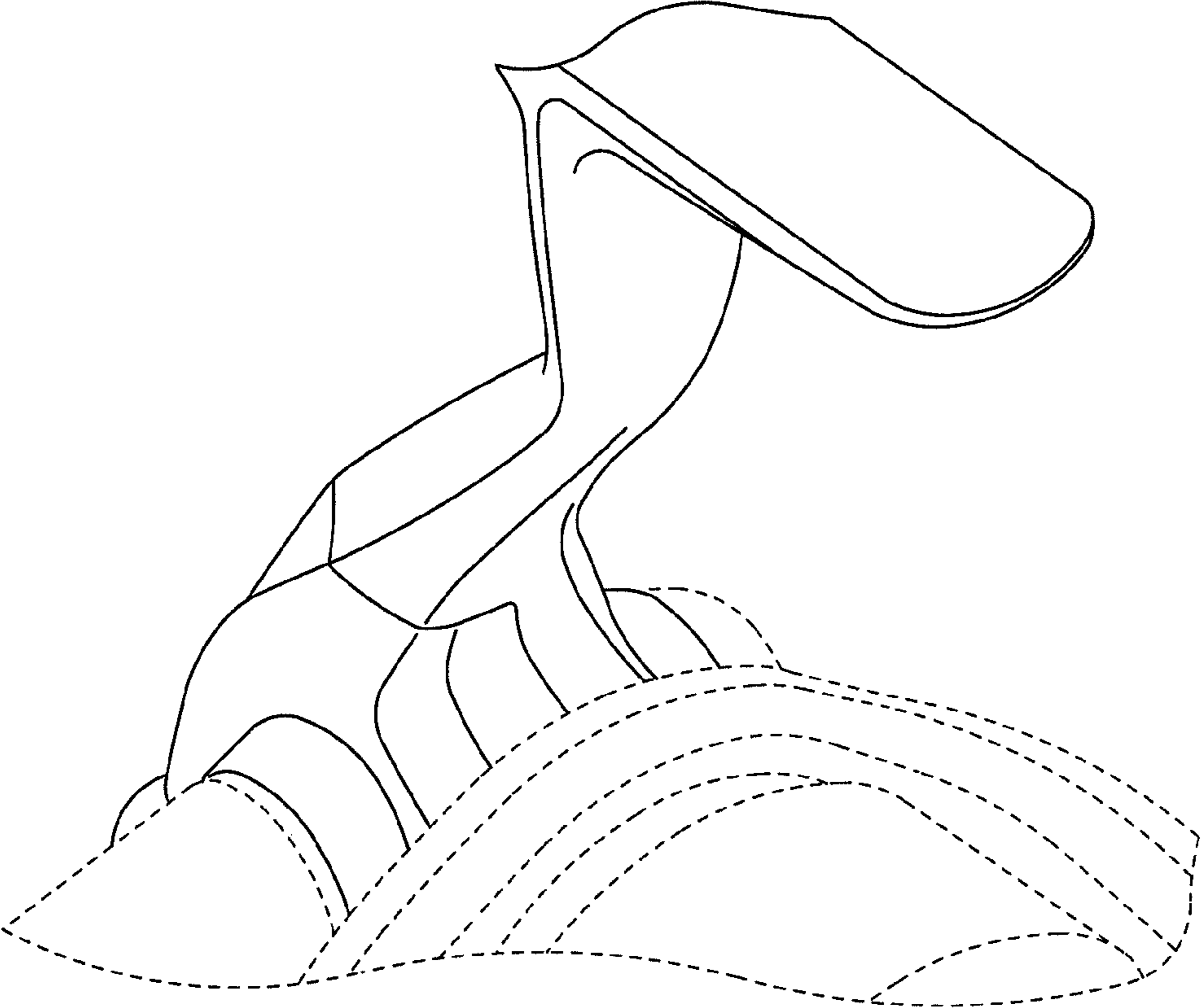


FIG. 10

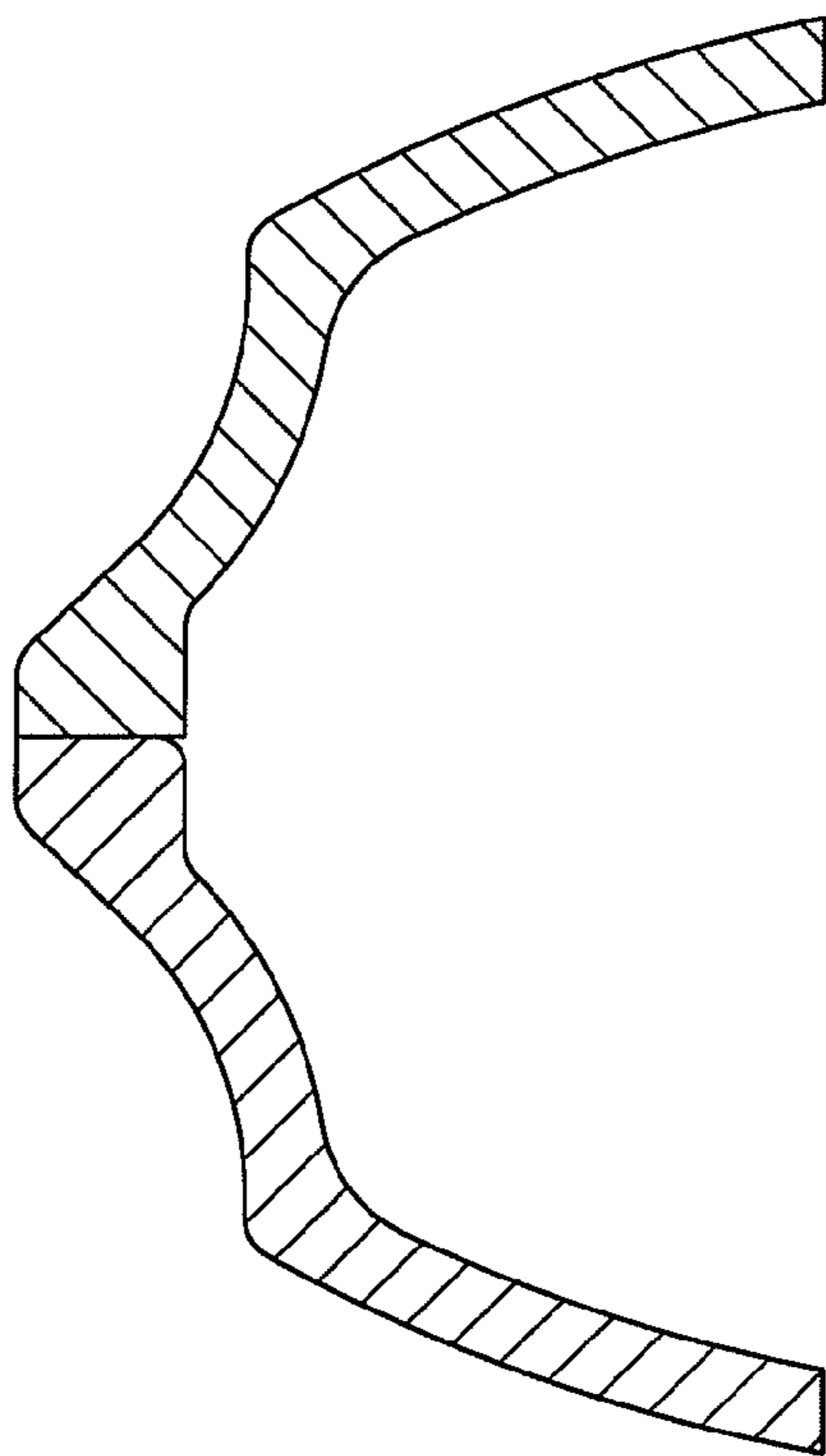


FIG. 11

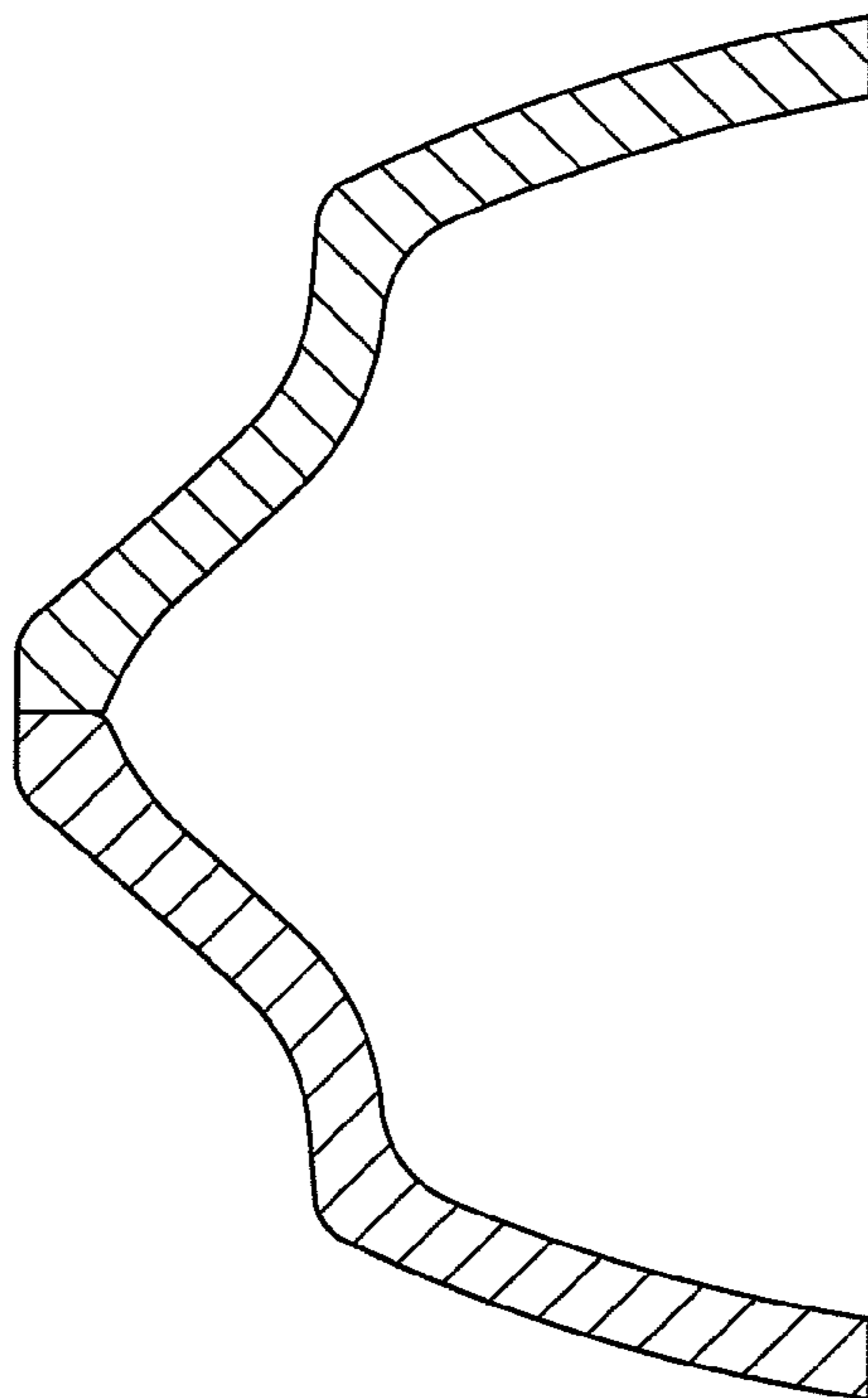


FIG. 12

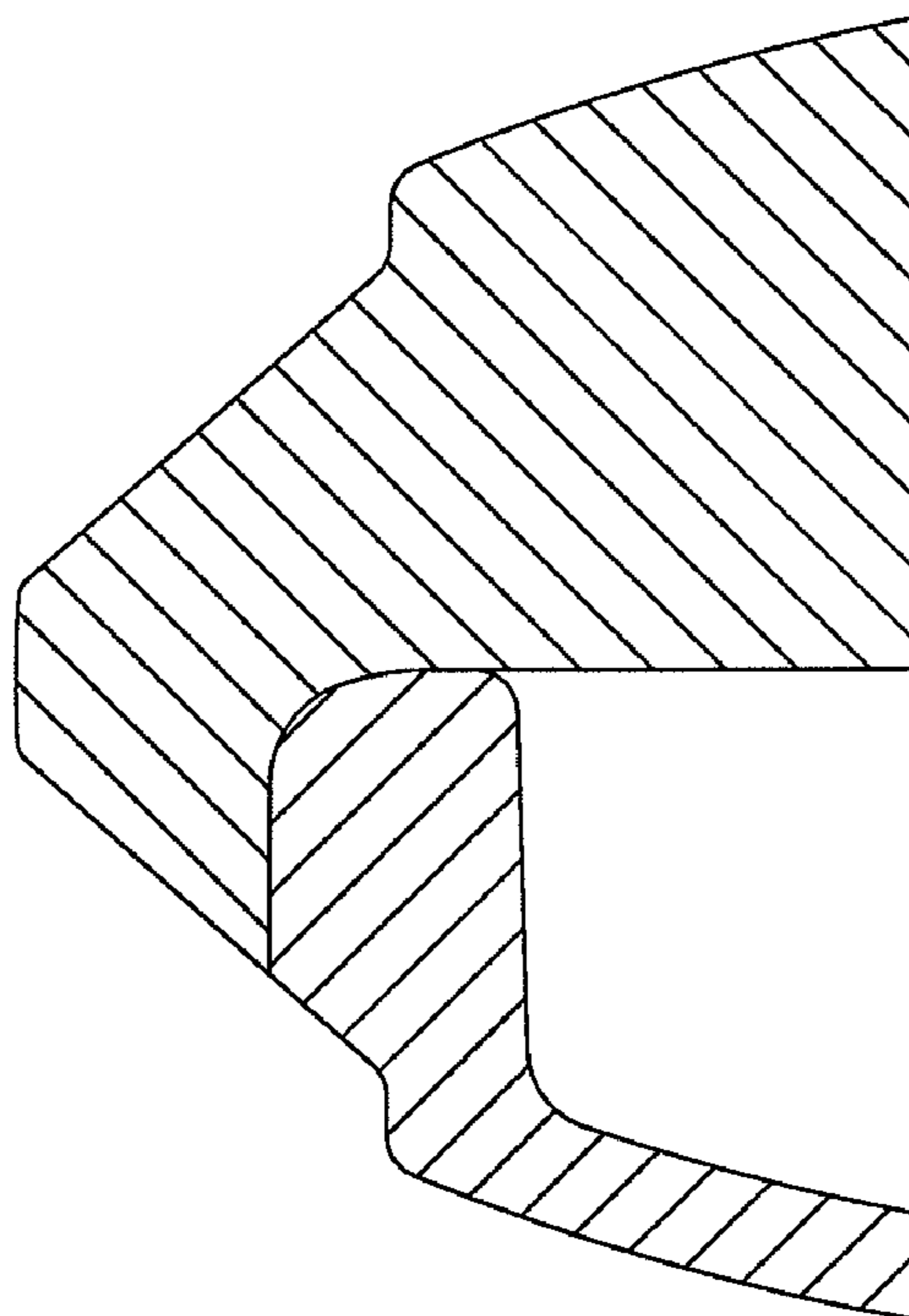


FIG. 13

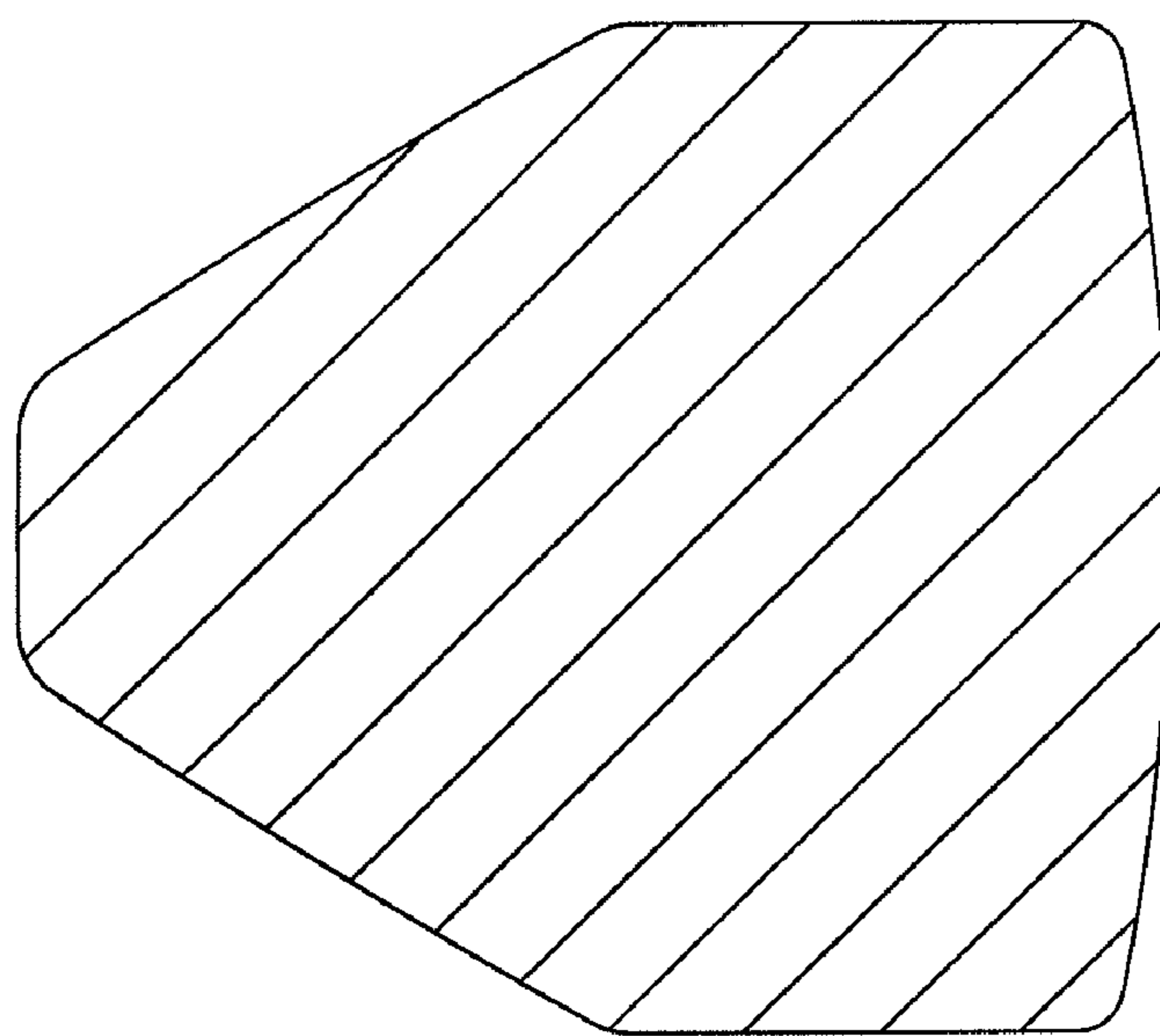


FIG. 14

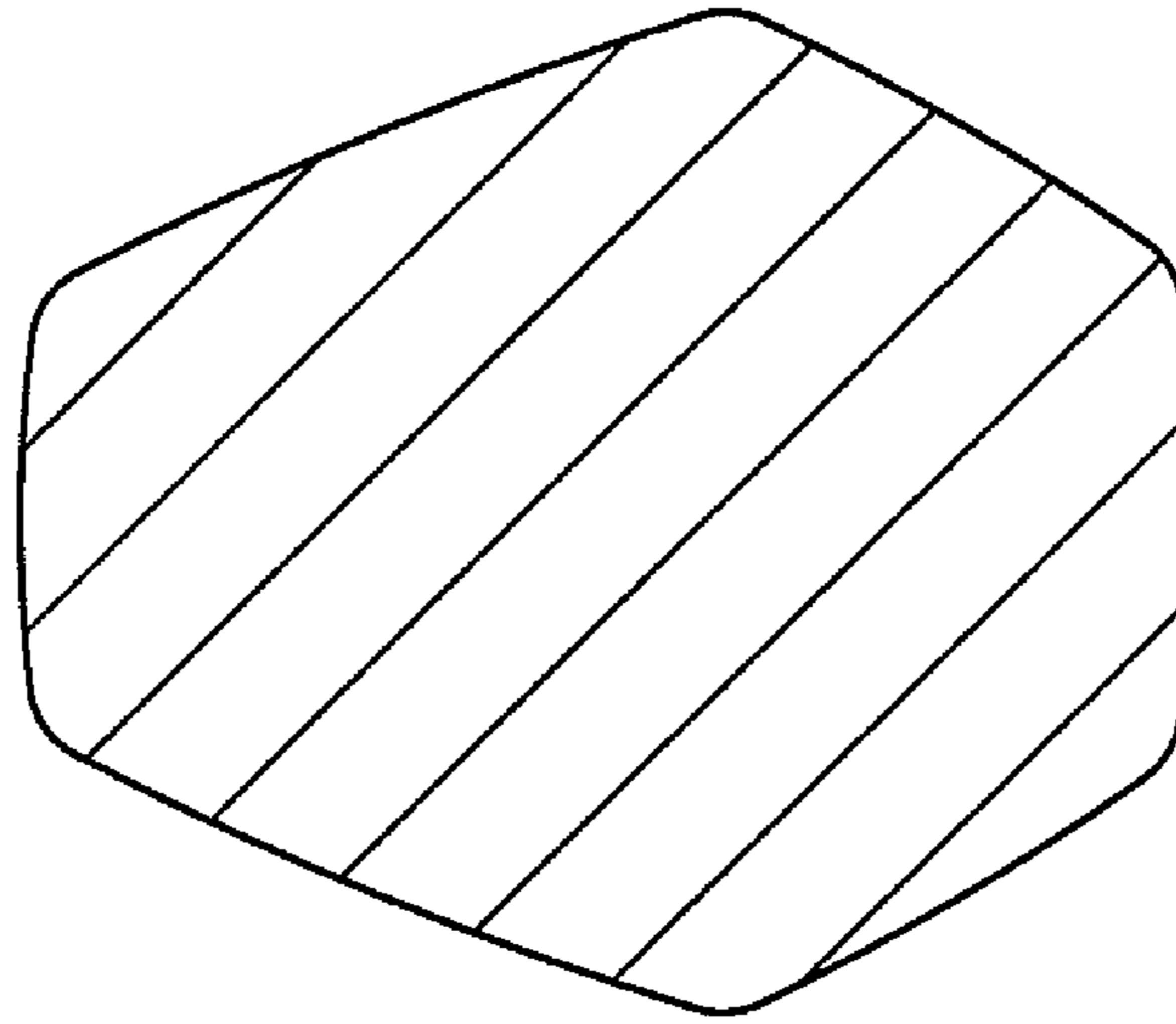


FIG. 15

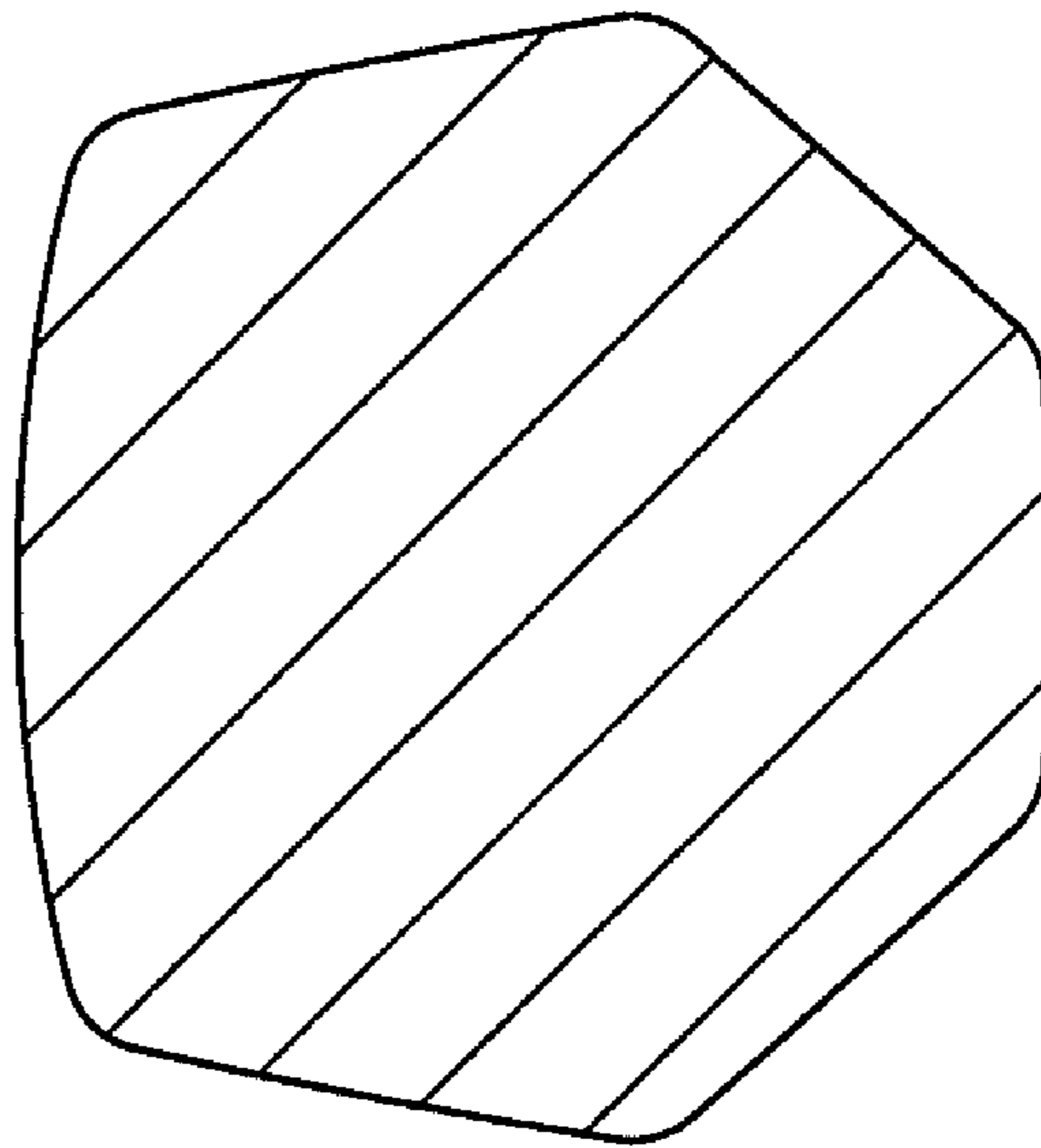


FIG. 16