



US00D589585S

(12) **United States Design Patent**  
**Greening et al.**

(10) **Patent No.:** **US D589,585 S**  
(45) **Date of Patent:** **\*\* Mar. 31, 2009**

(54) **PEST TRAP**

(76) Inventors: **John Greening**, Hi-Lo, Button Bridge Lane, Kinlet, Worcestershire (GB); **Neil McGowan**, 3 Juniper Close, Alverthorpe, Wakefield, West Yorkshire (GB)

(\*\*) Term: **14 Years**

(21) Appl. No.: **29/306,532**

(22) Filed: **Apr. 10, 2008**

(51) **LOC (9) Cl.** ..... **22-06**

(52) **U.S. Cl.** ..... **D22/122**

(58) **Field of Classification Search** ..... D22/119-124;  
43/107, 112-114, 122, 128, 131, 132.1, 133;  
362/147, 217; D26/85-86

See application file for complete search history.

(56) **References Cited**

U.S. PATENT DOCUMENTS

1,486,307 A 3/1924 Seefluth et al.

(Continued)

FOREIGN PATENT DOCUMENTS

DE	35 11 215 A1	10/1986
DE	38 10 065 C1	4/1989
DE	38 40 440 A1	10/1989
DE	199 45 796 A1	4/2001
WO	WO 92/20224	11/1992
WO	WO 93/22910	11/1993
WO	WO 94/18827	9/1994
WO	WO 95/16345	6/1995
WO	WO 96/15664	5/1996
WO	WO 97/20460	6/1997
WO	WO 97/37532	10/1997
WO	WO 98/10613	3/1998
WO	WO 2006/051429 A2	5/2006
WO	WO 2006/051429 A3	5/2006
WO	WO 2006/056729 A1	6/2006

OTHER PUBLICATIONS

UL Underwriters Laboratories Inc., File No. E167313, letter dated May 16, 2003, 6 pages.

Restaurant Dealer Network, <http://www.restaurantdealernetwork.com/p-088-IAL18W.html>, print date of May 3, 2007, 2 pages.

(Continued)

*Primary Examiner*—Catherine R Oliver

(74) *Attorney, Agent, or Firm*—Patterson, Thuente, Skaar & Christensen, PA

(57) **CLAIM**

We claim the ornamental design for a pest trap, as shown and described.

**DESCRIPTION**

FIG. 1 is a top front perspective view of a pest trap according to a first embodiment of the present invention.

FIG. 2 is a bottom front perspective view of the pest trap of FIG. 1.

FIG. 3 is a front elevational view of the pest trap of FIG. 1.

FIG. 4 is a left side elevational view of the pest trap of FIG. 1, the view from the opposite side being a mirror image thereof.

FIG. 5 is a top plan view of the pest trap of FIG. 1.

FIG. 6 is a bottom plan view of the pest trap of FIG. 1.

FIG. 7 is a top front perspective view of a pest trap according to a second embodiment of the present invention.

FIG. 8 is a bottom front perspective view of the pest trap of FIG. 7.

FIG. 9 is a front elevational view of the pest trap of FIG. 7.

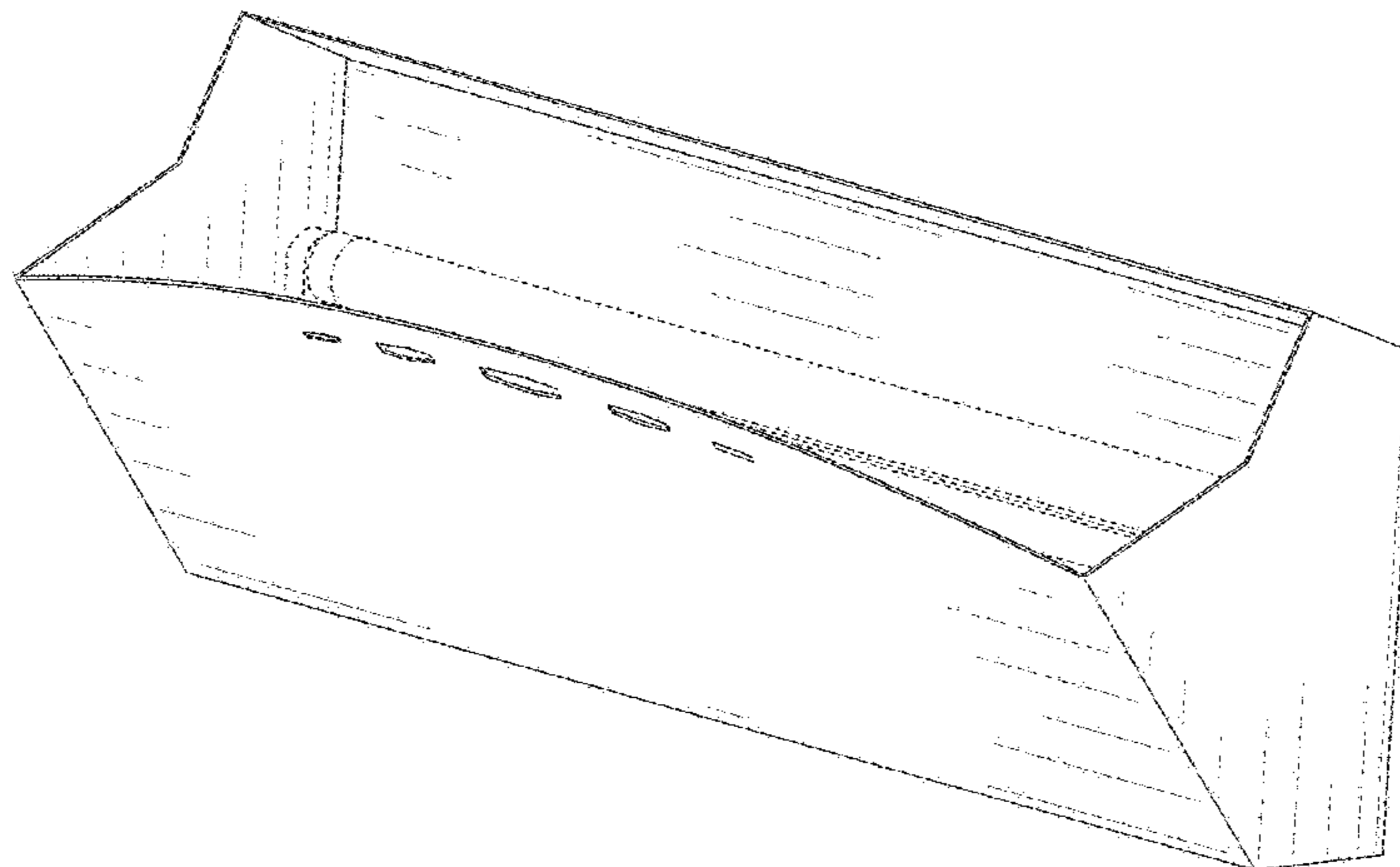
FIG. 10 is a left side elevational view of the pest trap of FIG. 7, the view from the opposite side being a mirror image thereof.

FIG. 11 is a top plan view of the pest trap of FIG. 7; and,

FIG. 12 is a bottom plan view of the pest trap of FIG. 7.

The broken lines represent environmental elements only and form no part of the claimed design.

**1 Claim, 12 Drawing Sheets**



U.S. PATENT DOCUMENTS

2,786,298 A \* 3/1957 Smith ..... D22/122  
 2,787,083 A \* 4/1957 Jones ..... 43/113  
 4,074,457 A 2/1978 Sato et al.  
 4,117,624 A 10/1978 Phillips  
 4,127,961 A 12/1978 Phillips  
 D259,272 S \* 5/1981 Duffey et al. .... D22/122  
 4,332,100 A 6/1982 Schneider  
 4,337,592 A 7/1982 Hasegawa  
 4,366,643 A 1/1983 Boaz  
 4,876,822 A 10/1989 White  
 4,949,501 A 8/1990 Larkin  
 5,044,112 A 9/1991 Williams  
 D325,954 S \* 5/1992 Lazzeroni et al. .... D22/123  
 5,111,610 A 5/1992 Morisset  
 5,142,815 A 9/1992 Birdsong  
 D335,912 S \* 5/1993 Brown et al. .... D22/122  
 5,251,397 A 10/1993 Exum et al.  
 5,311,696 A 5/1994 Gauthier et al.  
 5,353,542 A 10/1994 Vaudry  
 5,365,690 A 11/1994 Nelson et al.  
 D357,762 S 4/1995 Douglas  
 5,425,197 A 6/1995 Smith  
 5,505,017 A 4/1996 Nelson et al.  
 5,513,465 A 5/1996 Demarest et al.  
 5,651,211 A 7/1997 Regan et al.  
 5,722,199 A 3/1998 Demarest et al.  
 D394,124 S \* 5/1998 Mackert et al. .... D26/85  
 D422,334 S 4/2000 Engelbrecht  
 6,493,986 B1 12/2002 Nelson et al.  
 D496,089 S \* 9/2004 Lambert et al. .... D22/122  
 D498,286 S \* 11/2004 Loerakker et al. .... D22/122  
 6,959,510 B1 11/2005 Nelson et al.  
 D517,160 S 3/2006 Greening  
 7,036,268 B2 \* 5/2006 Taylor et al. .... 43/113

2002/0032980 A1 3/2002 Nelson  
 2002/0078620 A1 6/2002 Nelson et al.  
 2003/0089023 A1 5/2003 Nelson et al.

OTHER PUBLICATIONS

Restaurant Dealer Network, <http://www.restaurantdealernetwork.com/p-088-IAL30W.html>, print date of May 3, 2007, 2 pages.  
 Gardner Manufacturing, "Wall Sconces for Sensitive Public Areas, Adhesive Insect Light Traps", Internet Archive Wayback Machine, <http://web.archive.org/web/20060811213154/http://www.gardnermfg.com/insect/page02.html>, Internet Archive Wayback Machine date of Aug. 11, 2006, 1 page.  
 Paraclipse®, "Insect Inn™ Ultra Two", Internet Archive Wayback Machine, <http://web.archive.org/web/20070119055236/http://www.paraclipse.com/U2product.htm>, Internet Archive Wayback Machine date of Jan. 19, 2007, 2 pages.  
 Gilbert®, "Gilbert® 2000GT 'Flying Venus,'" Internet Archive Wayback Machine, <http://web.archive.org/web/20061017034441/http://www.gilbertinc.com/2000gt.htm>, Internet Archive Wayback Machine date of Oct. 17, 2006, 1 page.  
 Insektenvernichter—Peter Steffenhagen, "Der sichere Fliegenfänger in jeden Haushalt!", Internet Archive Wayback Machine, <http://web.archive.org/web/20041222105637/http://www.peter-steffenhagen.de/Produkte-Fangreflekt>, Internet Archive Wayback Machine date of Dec. 22, 2004, 3 pages.  
 PestWest™, "Mantis Glue Trap Fly Control Units", undated, 2 pages.  
 PestWest™, "Chameleon Fly Traps—Instructions for Use," undated, 15 pages.  
 Fang Reflektor, "The safe and reliable Flytrap iGu® 3003," undated, 4 pages.  
 Chinese Language Leaflet, Chung Hsi Chemical Plant., Ltd, 1 page.

\* cited by examiner

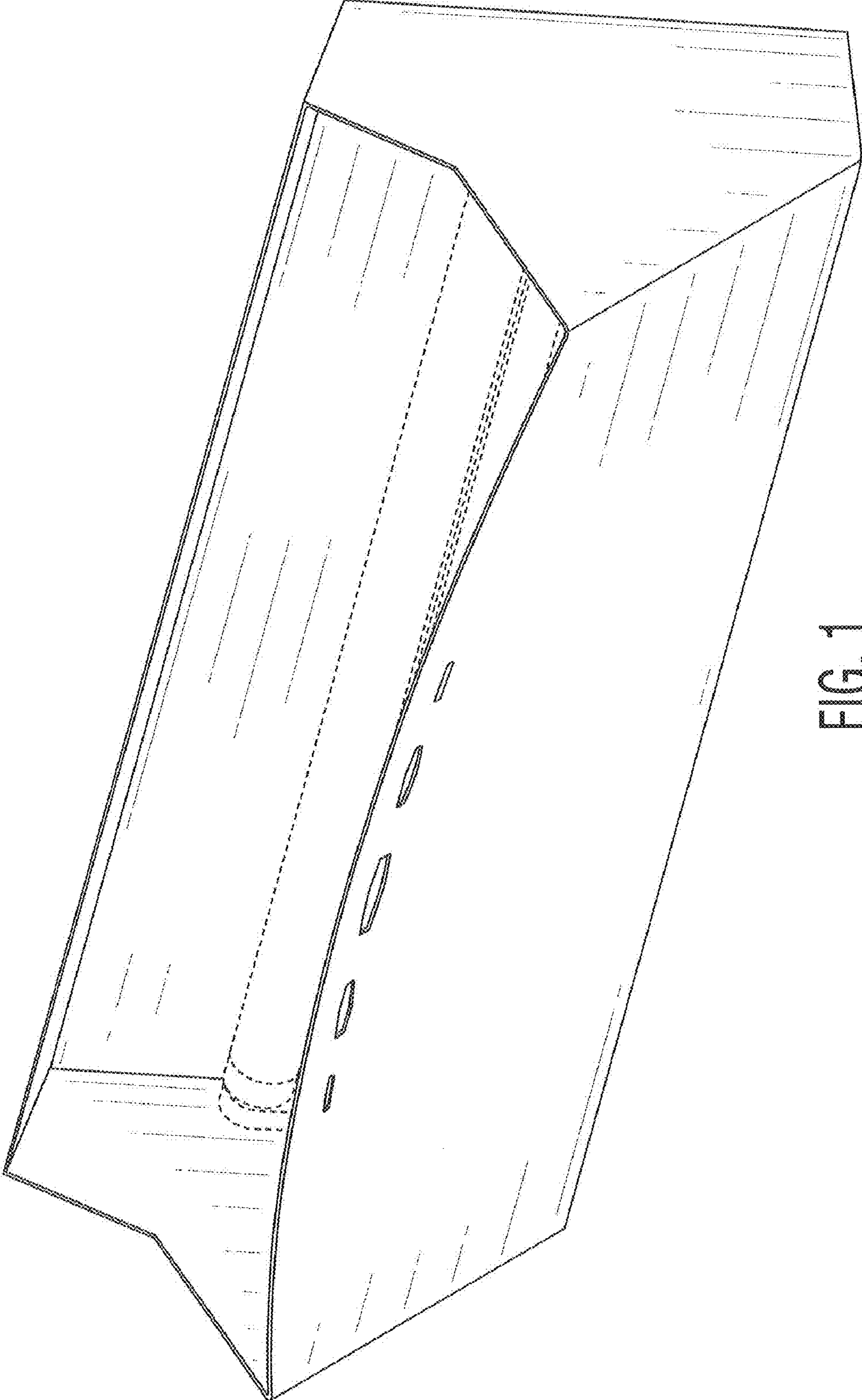


FIG. 1

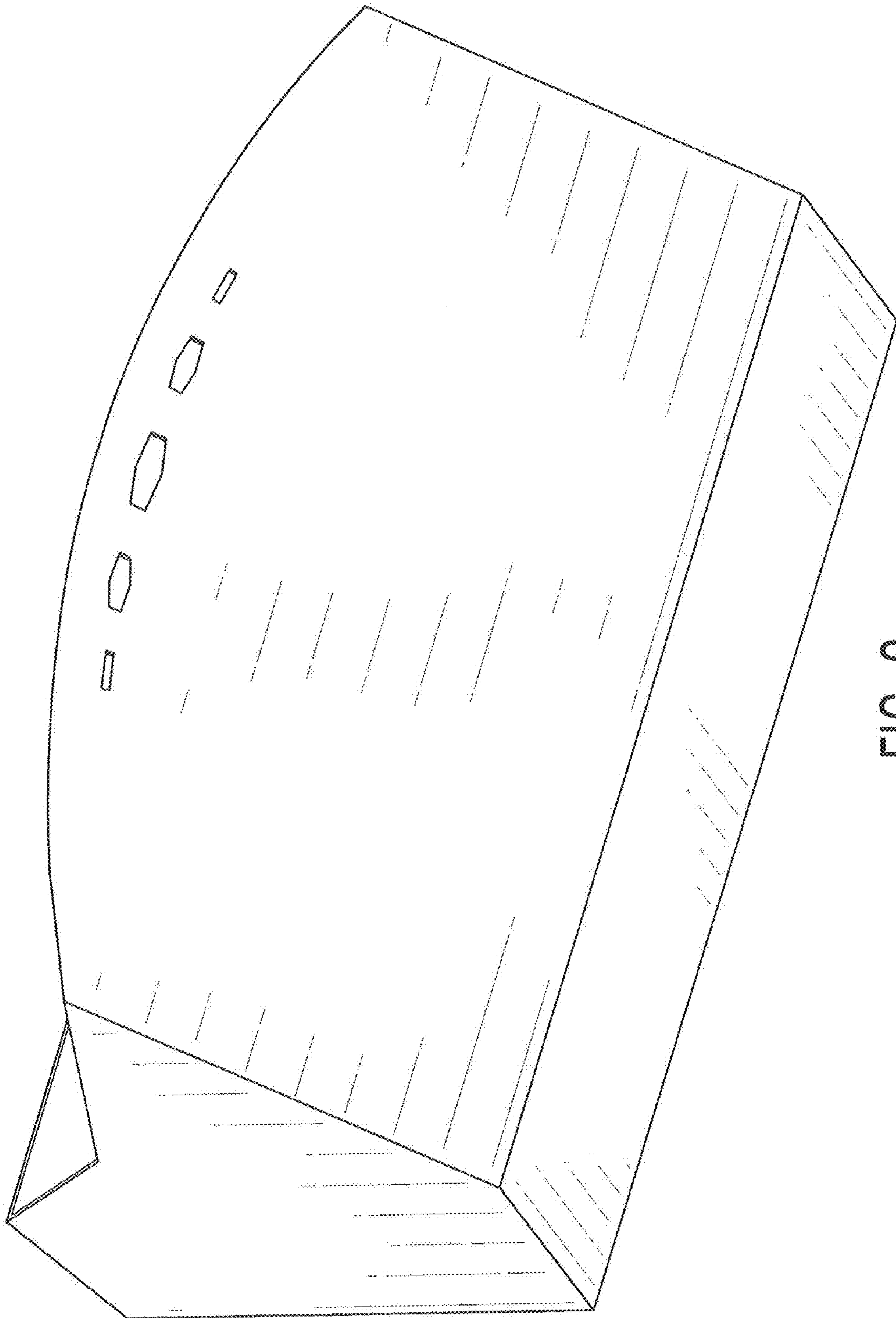


FIG. 2

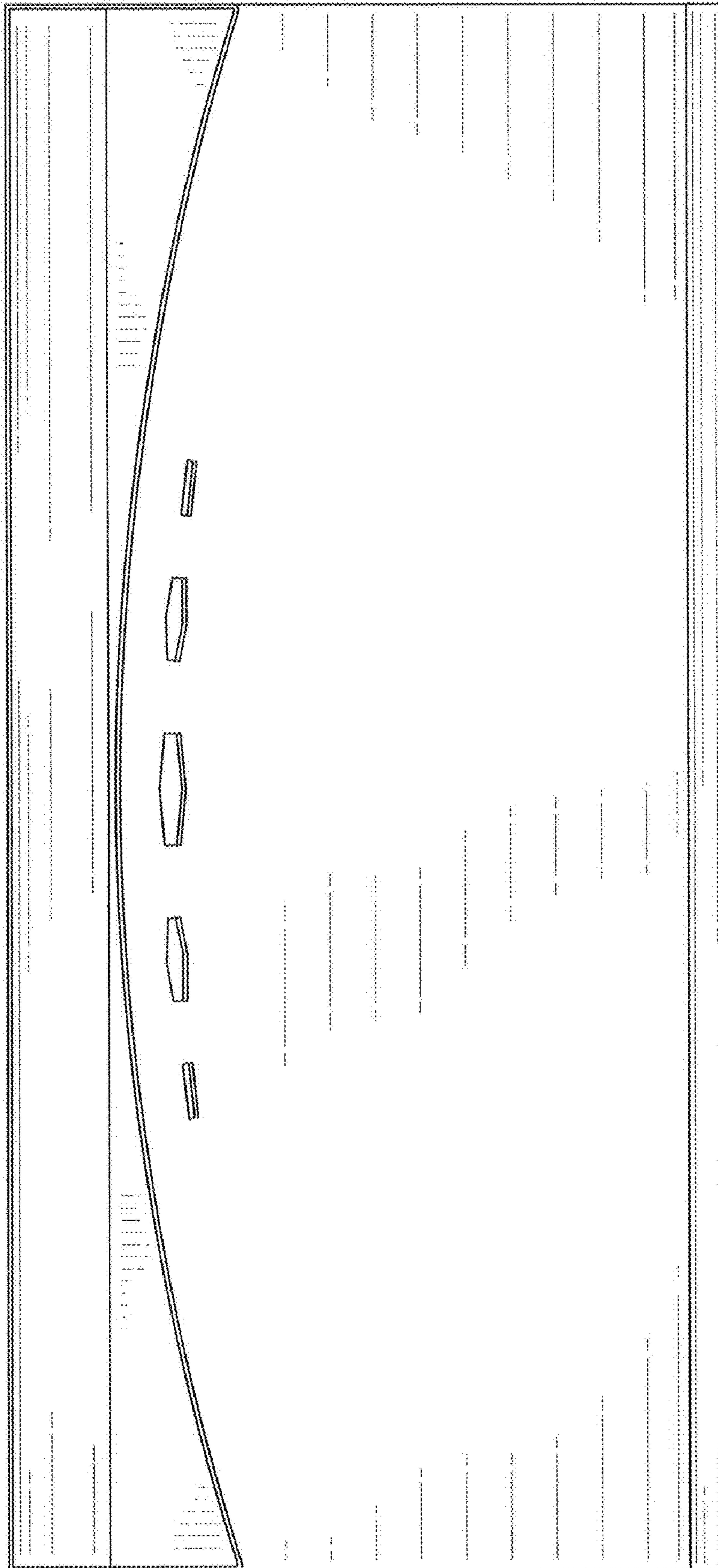


FIG. 3

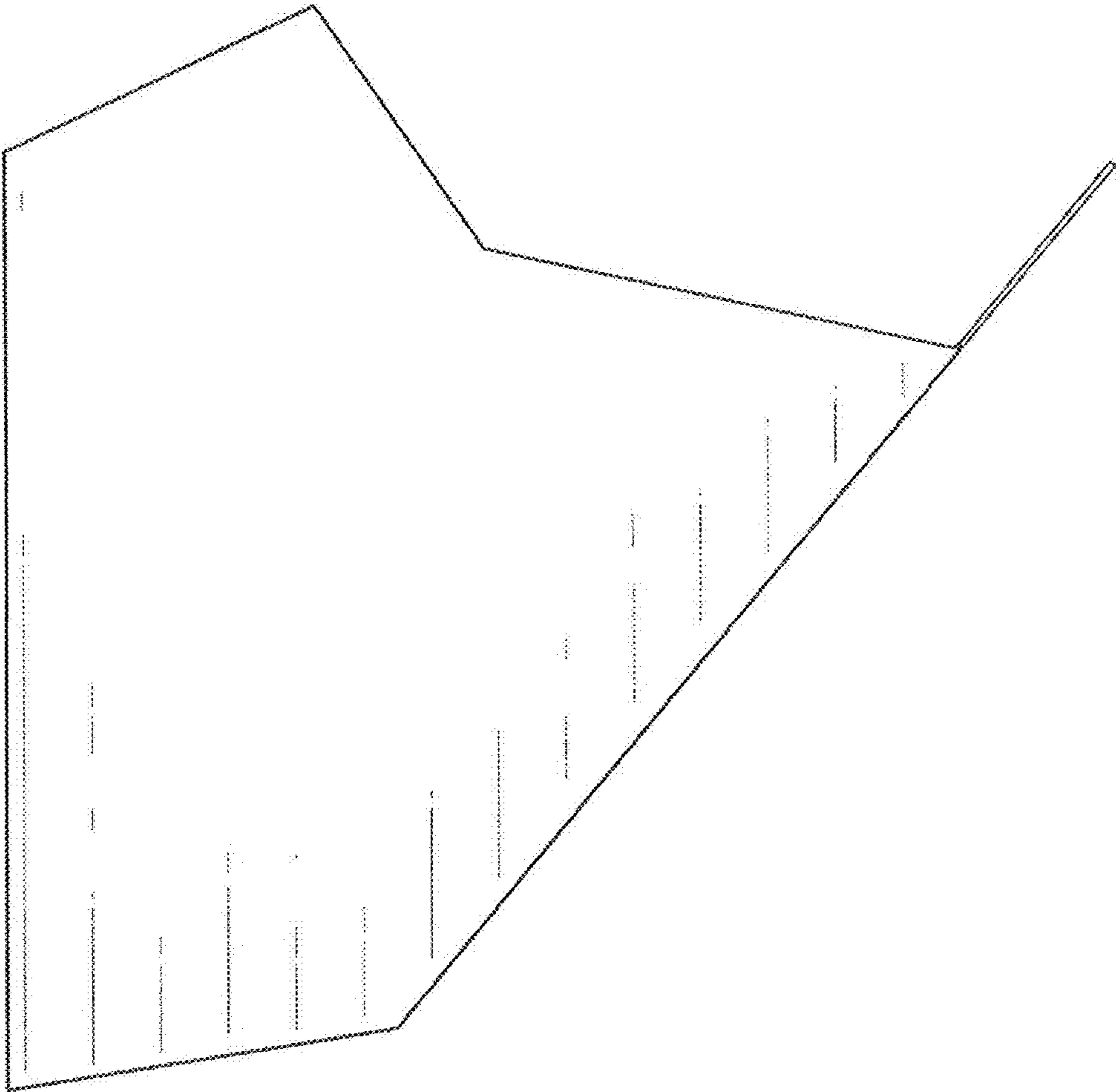


FIG. 4

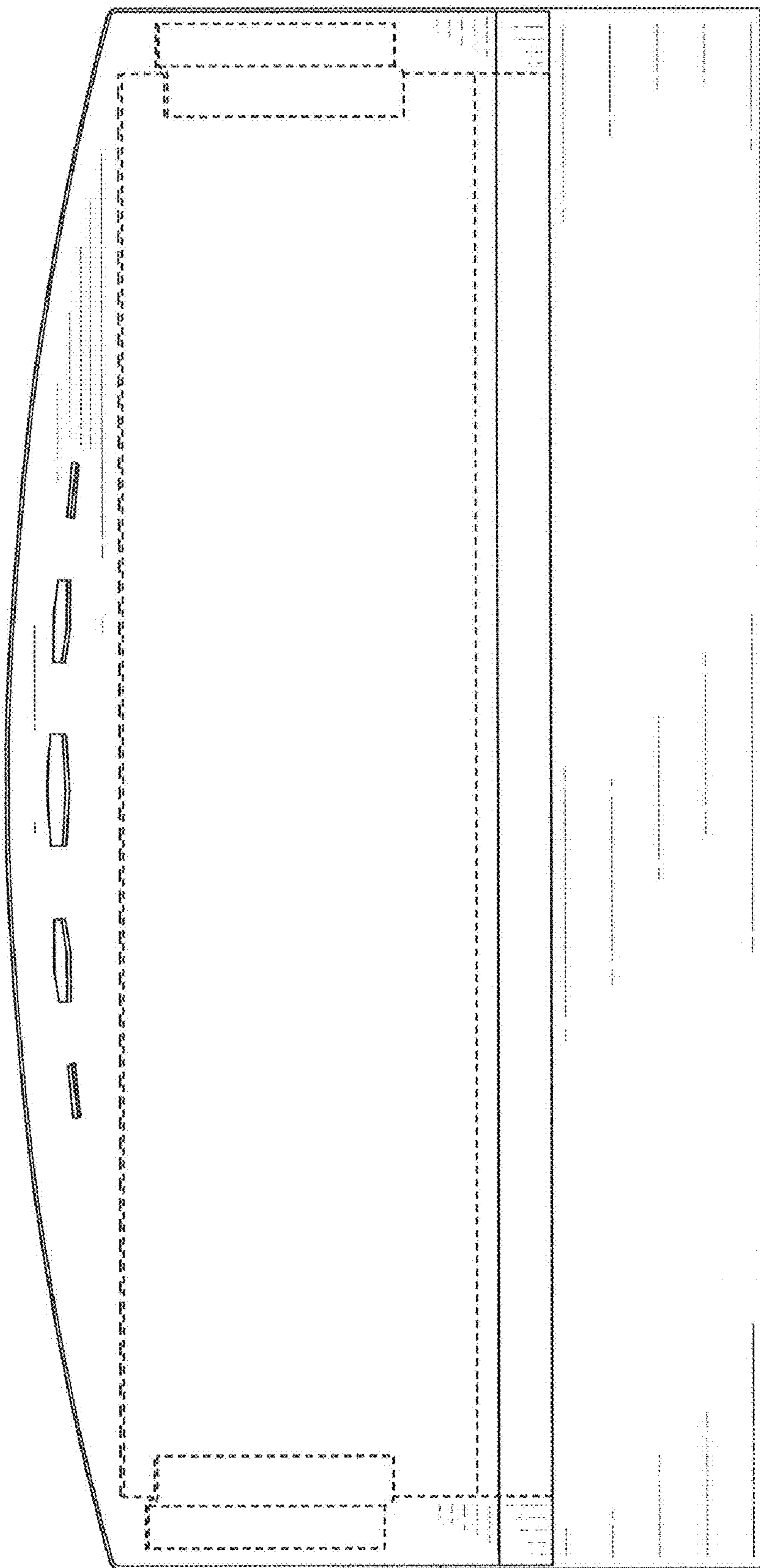


FIG. 5

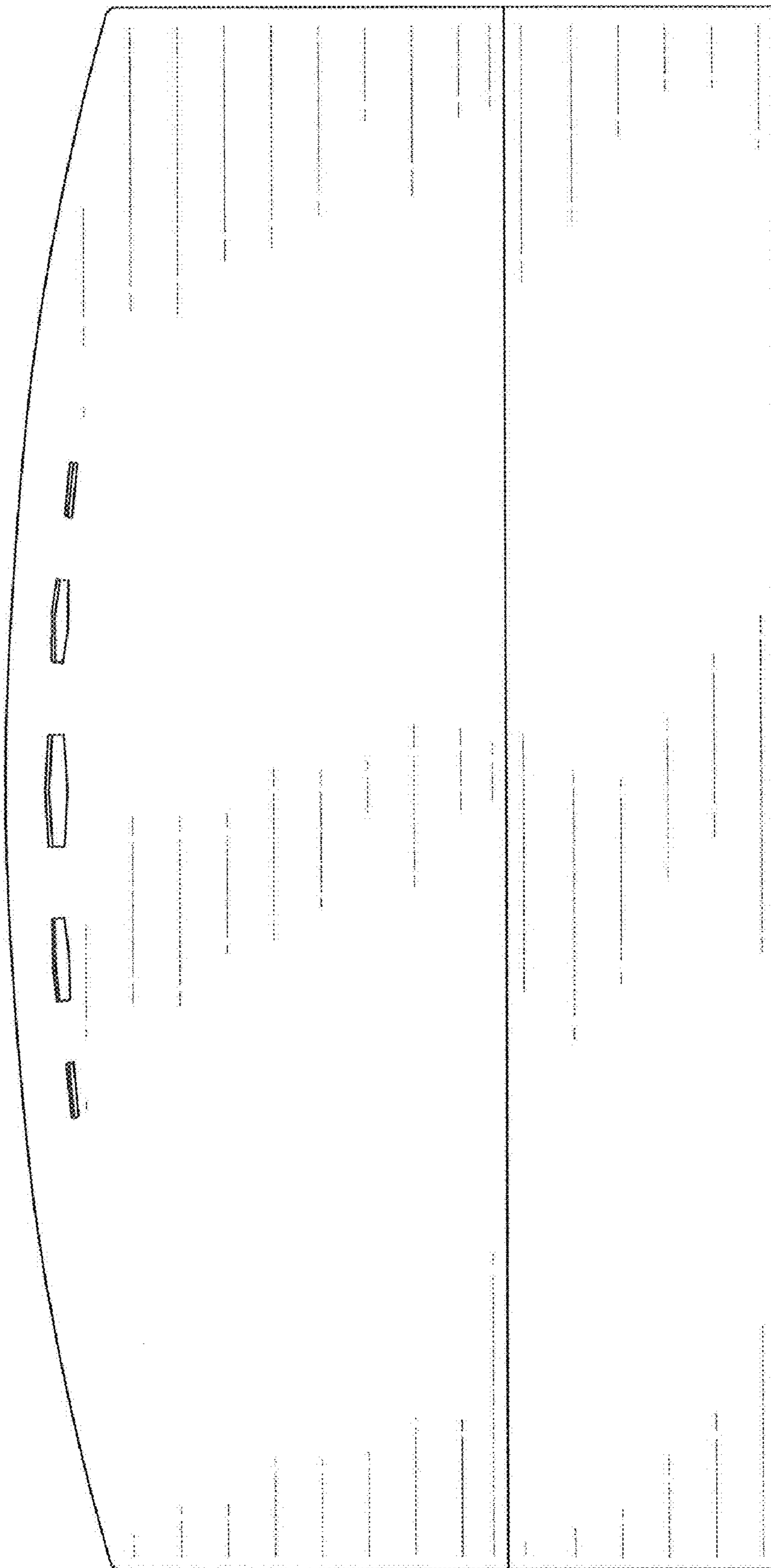


FIG. 6



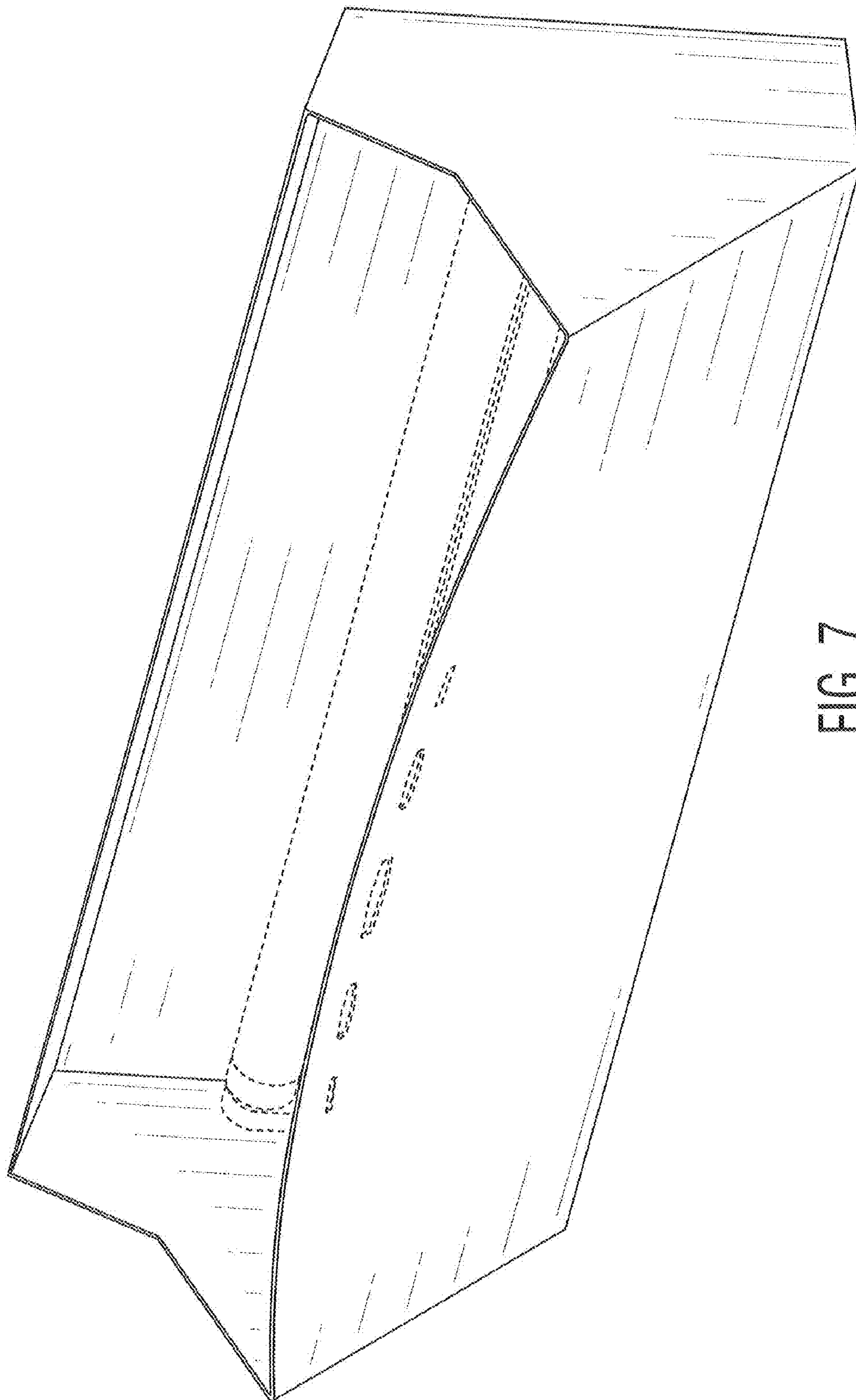


FIG. 7

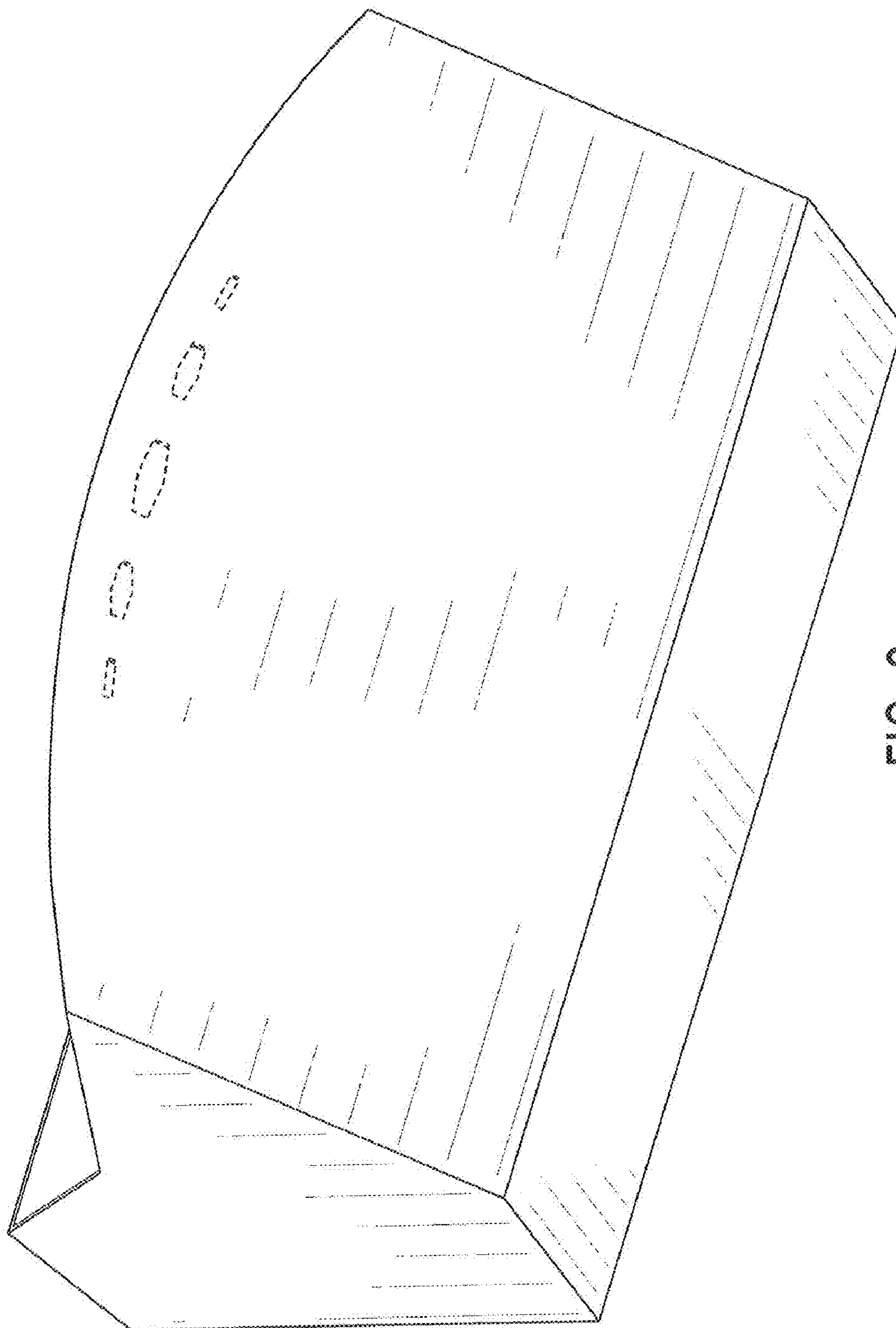


FIG. 8

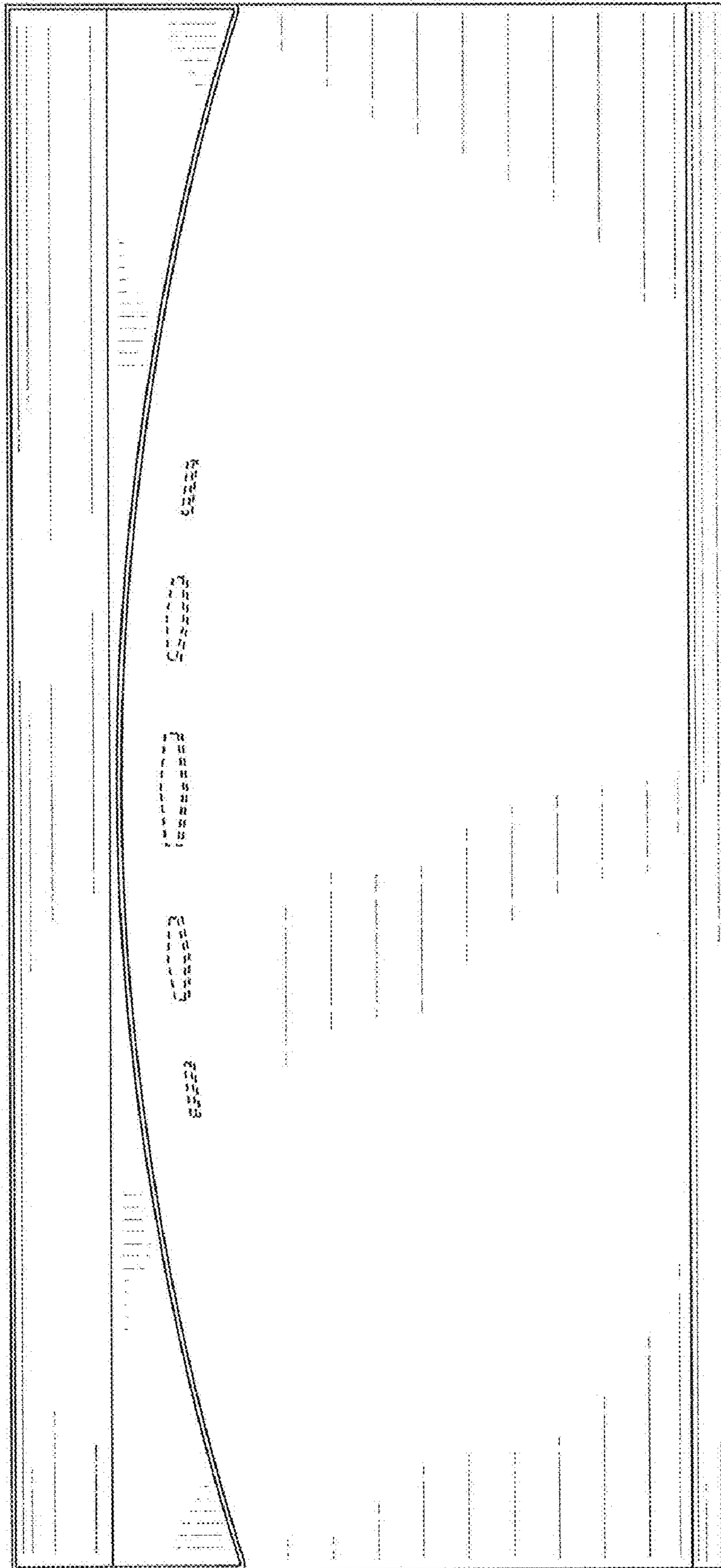


FIG. 9

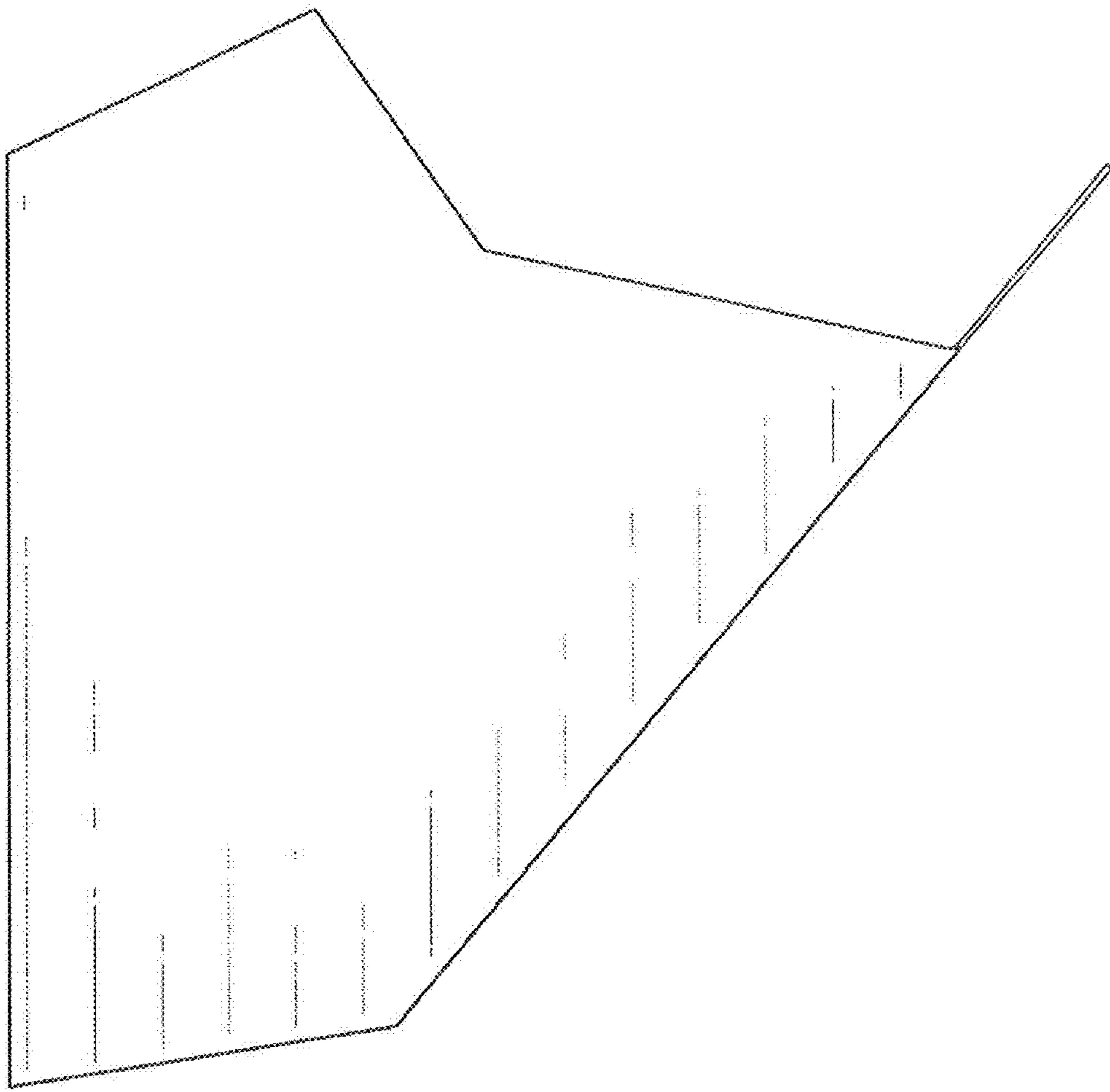


FIG. 10

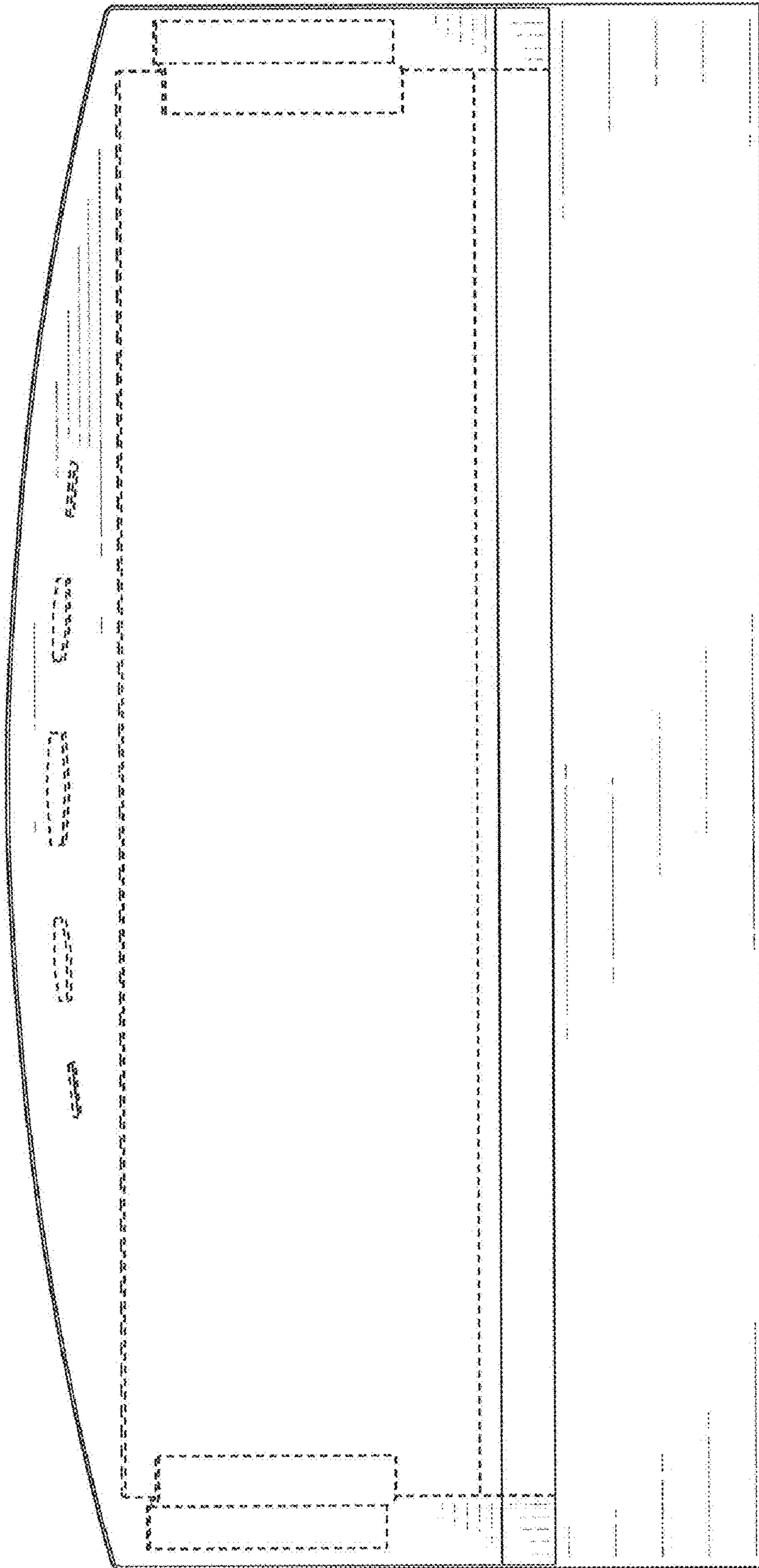


FIG. 11

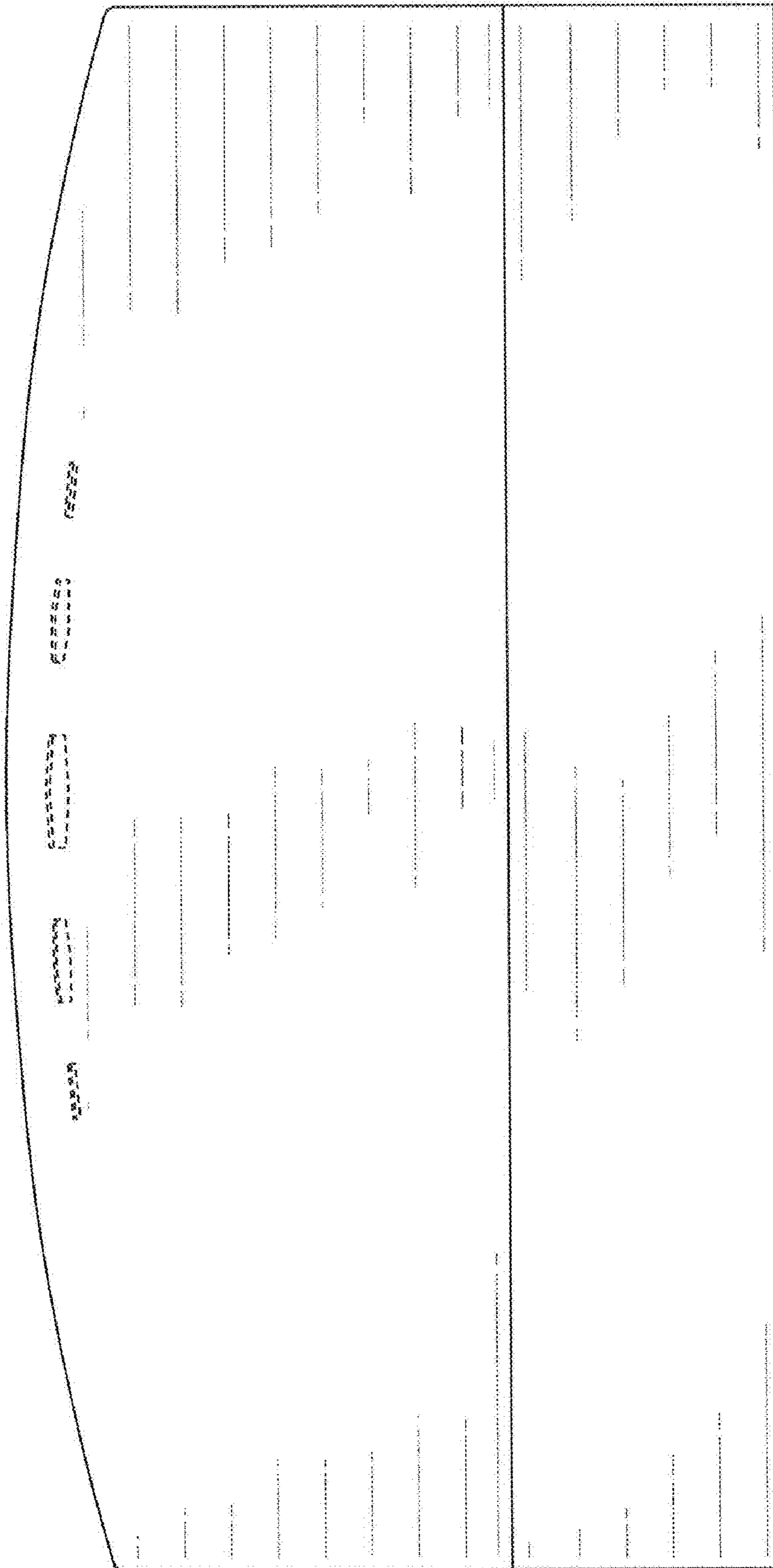


FIG. 12