



US00D589578S

(12) **United States Design Patent**
Choma

(10) **Patent No.:** **US D589,578 S**
(45) **Date of Patent:** **** Mar. 31, 2009**

(54) **STOCK OF A CROSSBOW**

(75) Inventor: **David A. Choma**, Tallmadge, OH (US)

(73) Assignee: **Horton Manufacturing Company, Inc.**,
Tallmadge, OH (US)

(**) Term: **14 Years**

(21) Appl. No.: **29/307,386**

(22) Filed: **Apr. 18, 2008**

(51) **LOC (9) Cl.** **22-01**

(52) **U.S. Cl.** **D22/107**

(58) **Field of Classification Search** D22/103,
D22/107; 124/25.5, 40, 25, 31, 35.1; 42/72
See application file for complete search history.

(56) **References Cited**

U.S. PATENT DOCUMENTS

4,649,891	A *	3/1987	Bozek	124/25
4,788,785	A *	12/1988	White	42/72
5,025,771	A *	6/1991	Hanson	124/40
D324,557	S *	3/1992	Livingston	D22/103
5,209,215	A *	5/1993	Morrison	124/25
D337,145	S *	7/1993	Horton-Corcoran	D22/107
2006/0169259	A1 *	8/2006	Chang	124/25

OTHER PUBLICATIONS

Excerpts from 2008 Crossbows Catalog of Horton Mfg. Co., Tallmadge, Ohio (2 pages).
 Excerpts from 2003 Catalog of Horton Mfg. Co., Tallmadge, Ohio (9 pages).
 Excerpts from a Jan. 2008 catalog of Excalibur Crossbows Inc., Kitchener, Ontario, Canada (10 pages).
 Excerpts from a 2008 catalog of Darton Archery, Hale, Michigan (5 pages).
 Excerpts from a 2008 Product Guide of Ten Point Crossbow Technologies, Akron, Ohio (7 pages).

Web pages of Precision Shooting Equipment, Inc., Tucson, Arizona (7 pages).

Excerpts from a 2008 Product Guide of Eastman Outdoors, Inc., Flushing, Michigan (5 pages).

Excerpts from a catalog of Barnett Outdoor, LLC, Tarpar Springs, Florida (14 pages) (more than a year prior to invention).

Web pages of Parker Compound Bows, Mint Springs, Virginia (5 pages) (more than a year prior to invention).

Web pages of Bow Tech Archery, Eugene, Oregon (3 pages) (more than a year prior to invention).

Web pages of Crosman Corporation, East Bloomfield, New York (3 pages) (more than a year prior to invention).

* cited by examiner

Primary Examiner—Cathron C Brooks

Assistant Examiner—Melanie Levy

(74) *Attorney, Agent, or Firm*—Renner, Kenner, Greive, Bobak, Taylor & Weber

(57) **CLAIM**

The ornamental design for a stock of a crossbow, as shown and described.

DESCRIPTION

FIG. 1 is a top, front, left side perspective view of a stock of a crossbow showing my new design;

FIG. 2 is a bottom, rear, right side perspective view thereof;

FIG. 3 is a left side elevational view thereof, the right side being a mirror image of FIG. 3;

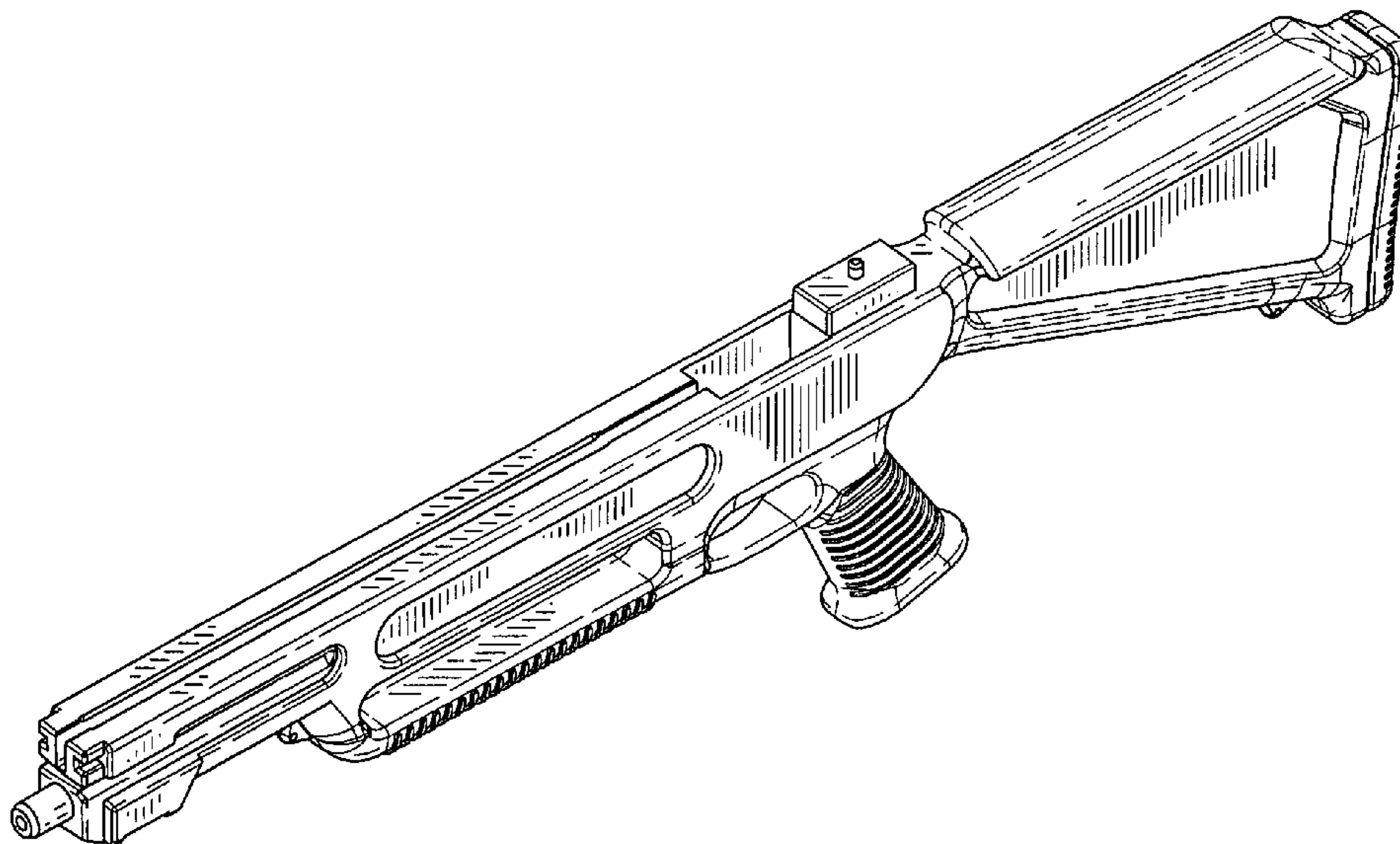
FIG. 4 is a front elevational view thereof;

FIG. 5 is a rear elevational view thereof;

FIG. 6 is a top plan view thereof; and,

FIG. 7 is a bottom plan view thereof.

1 Claim, 4 Drawing Sheets



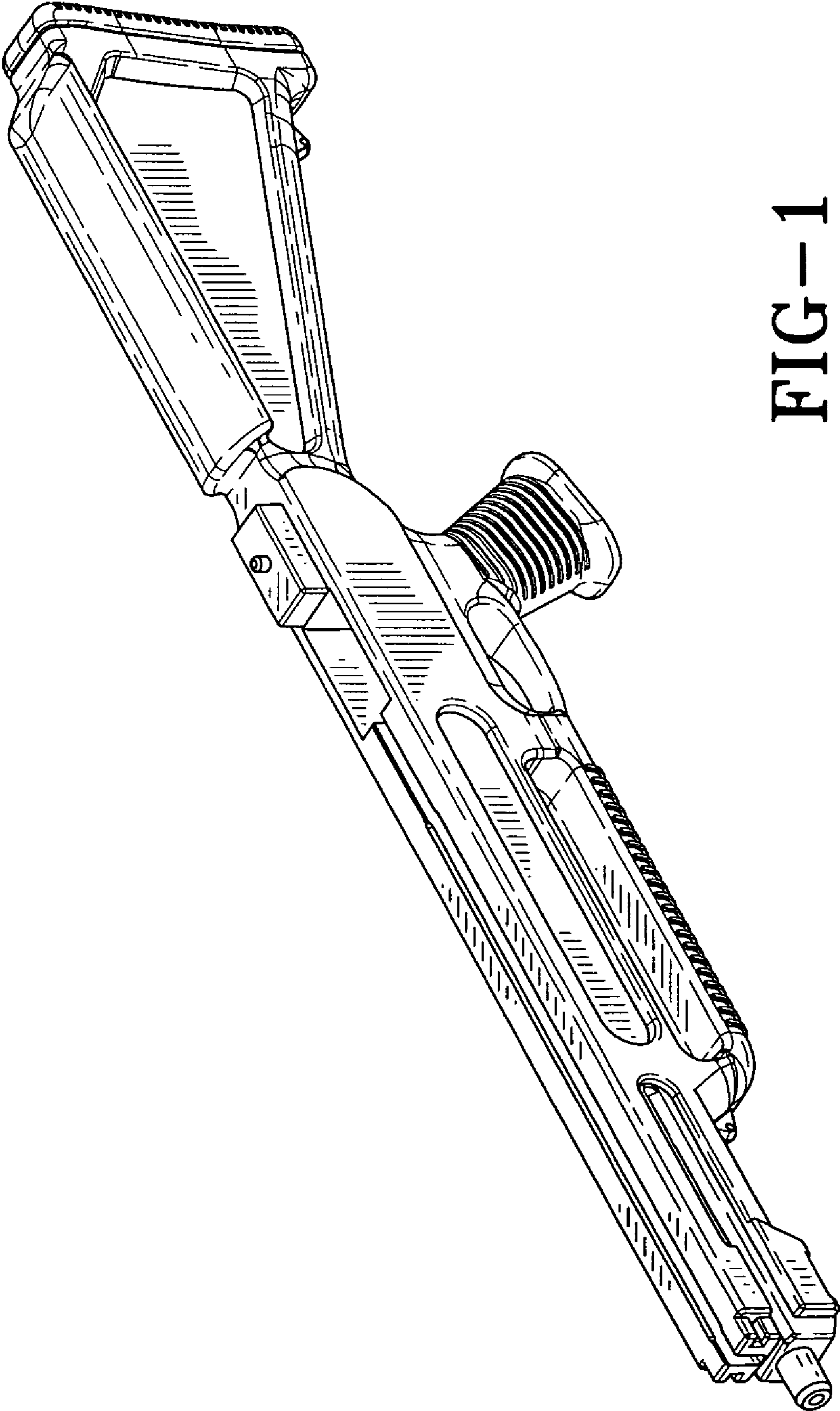


FIG-1

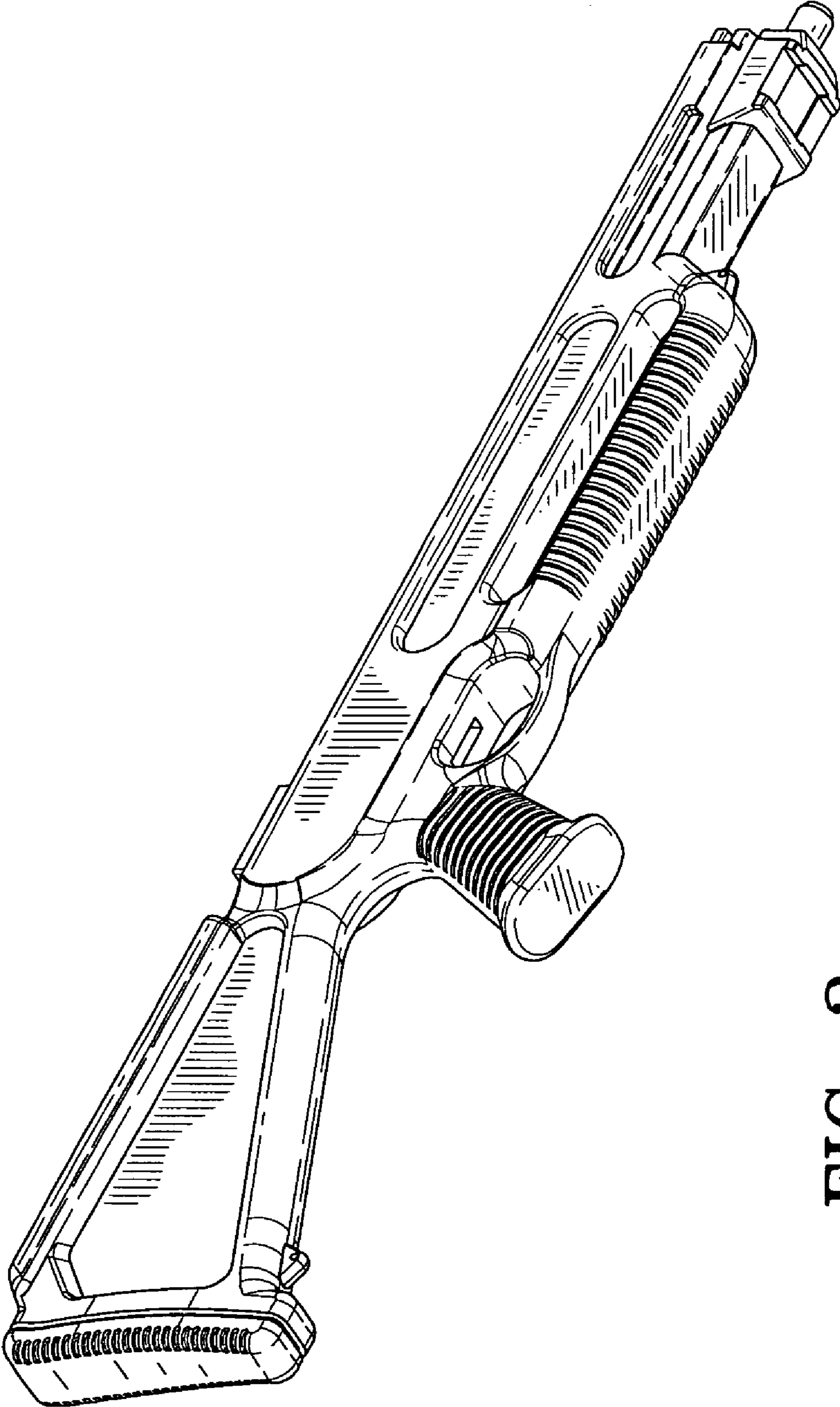


FIG-2

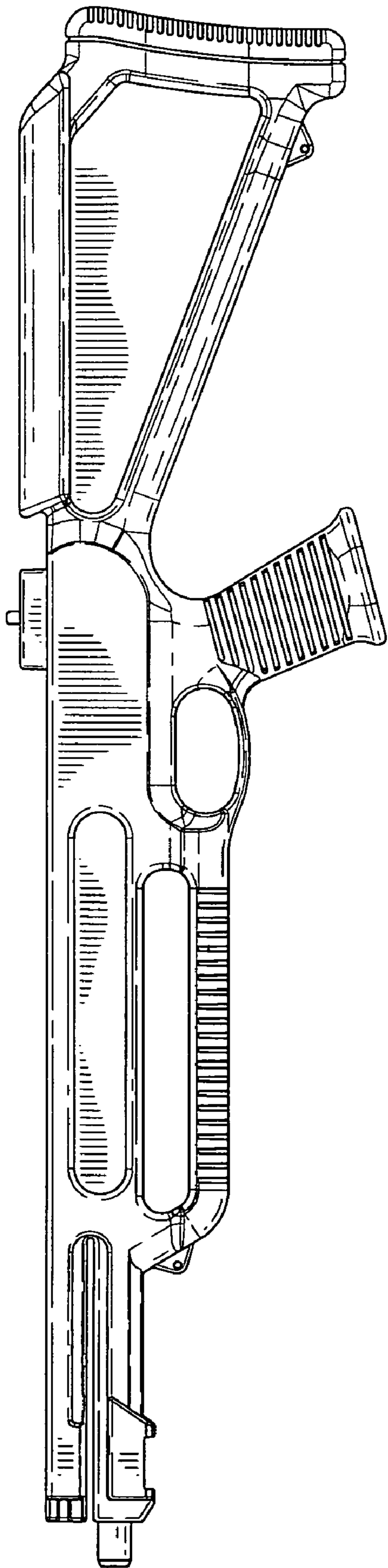


FIG-3

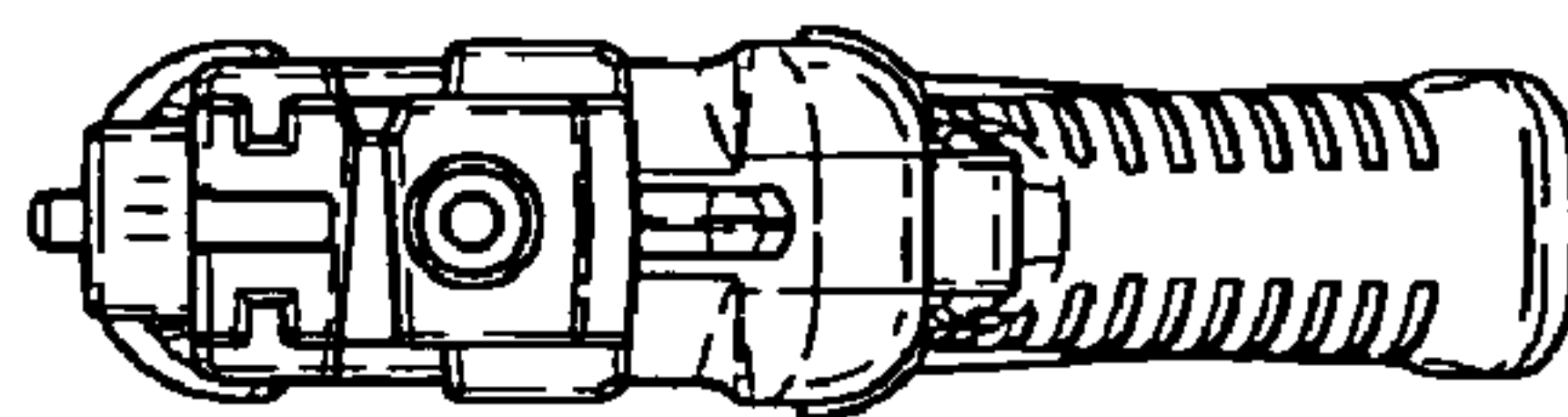


FIG-4

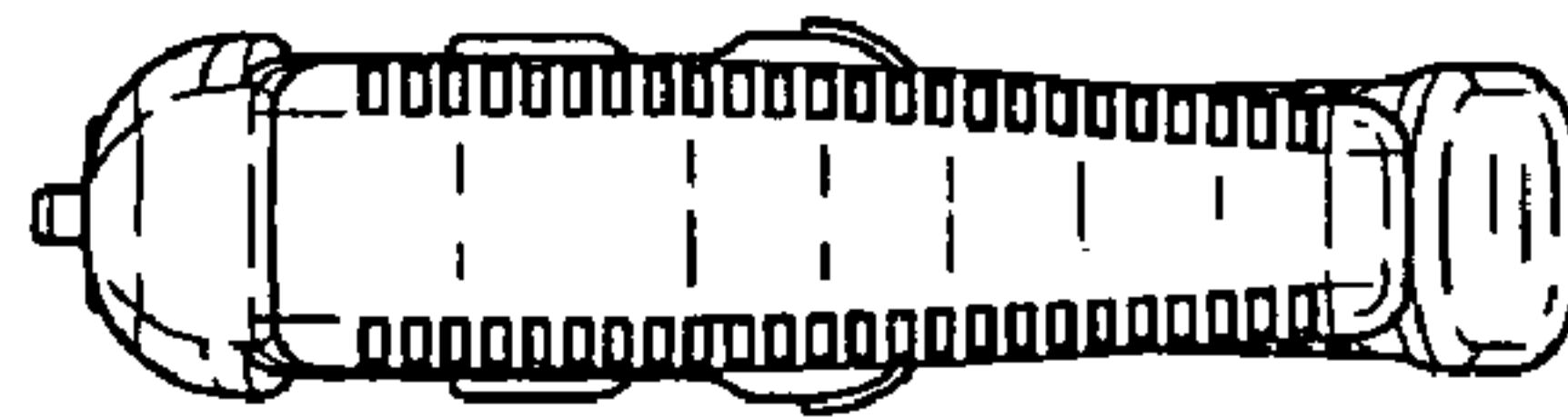


FIG-5

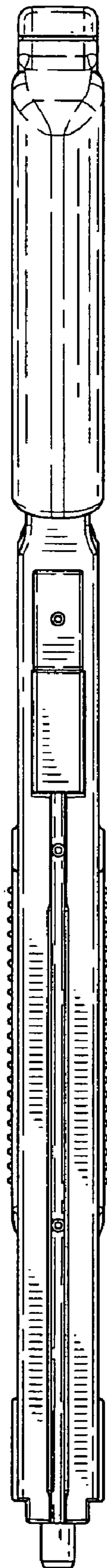


FIG-6

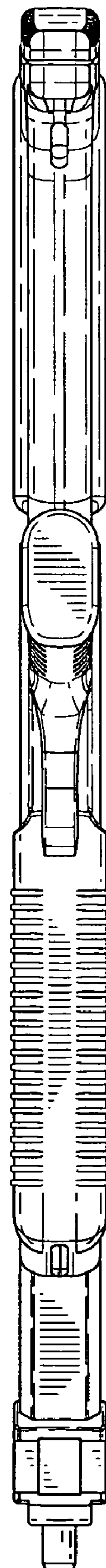


FIG-7