



US00D589574S

(12) **United States Design Patent**  
**Tsai**

(10) **Patent No.:** **US D589,574 S**  
(45) **Date of Patent:** **\*\* Mar. 31, 2009**

(54) **ABDOMEN FITNESS APPARATUS**

(76) Inventor: **Maobang Tsai**, Jidali Industrial Zone,  
Gonghe Village, Shajing Town, Bao'an,  
Shenzhen City 518104, Guangdong (CN)

(\*\*) Term: **14 Years**

(21) Appl. No.: **29/297,292**

(22) Filed: **Nov. 8, 2007**

(51) **LOC (9) Cl.** ..... **21-02**

(52) **U.S. Cl.** ..... **D21/692**

(58) **Field of Classification Search** ..... D21/662,  
D21/64; 482/121, 122, 123, 126, 127, 128  
See application file for complete search history.

(56) **References Cited**

**U.S. PATENT DOCUMENTS**

5,160,304	A *	11/1992	Van Der Hoeven	.....	482/128
5,637,066	A *	6/1997	Chang	.....	482/126
5,651,755	A *	7/1997	Chen	.....	482/128
D382,318	S *	8/1997	Hollinger	.....	D21/673
D386,225	S *	11/1997	Chen	.....	D21/692
D387,401	S *	12/1997	Huang	.....	D21/692
5,795,275	A *	8/1998	Van Der Hoeven et al.	. .	482/122
D403,163	S *	12/1998	Lipps	.....	D21/692
D408,063	S *	4/1999	Van Der Hoeven et al.		D21/692
5,913,756	A *	6/1999	Glaser	.....	482/128
7,115,079	B2 *	10/2006	Yu	.....	482/126

\* cited by examiner

*Primary Examiner*—Philip S Hyder  
(74) *Attorney, Agent, or Firm*—Rabin & Berdo, P.C.

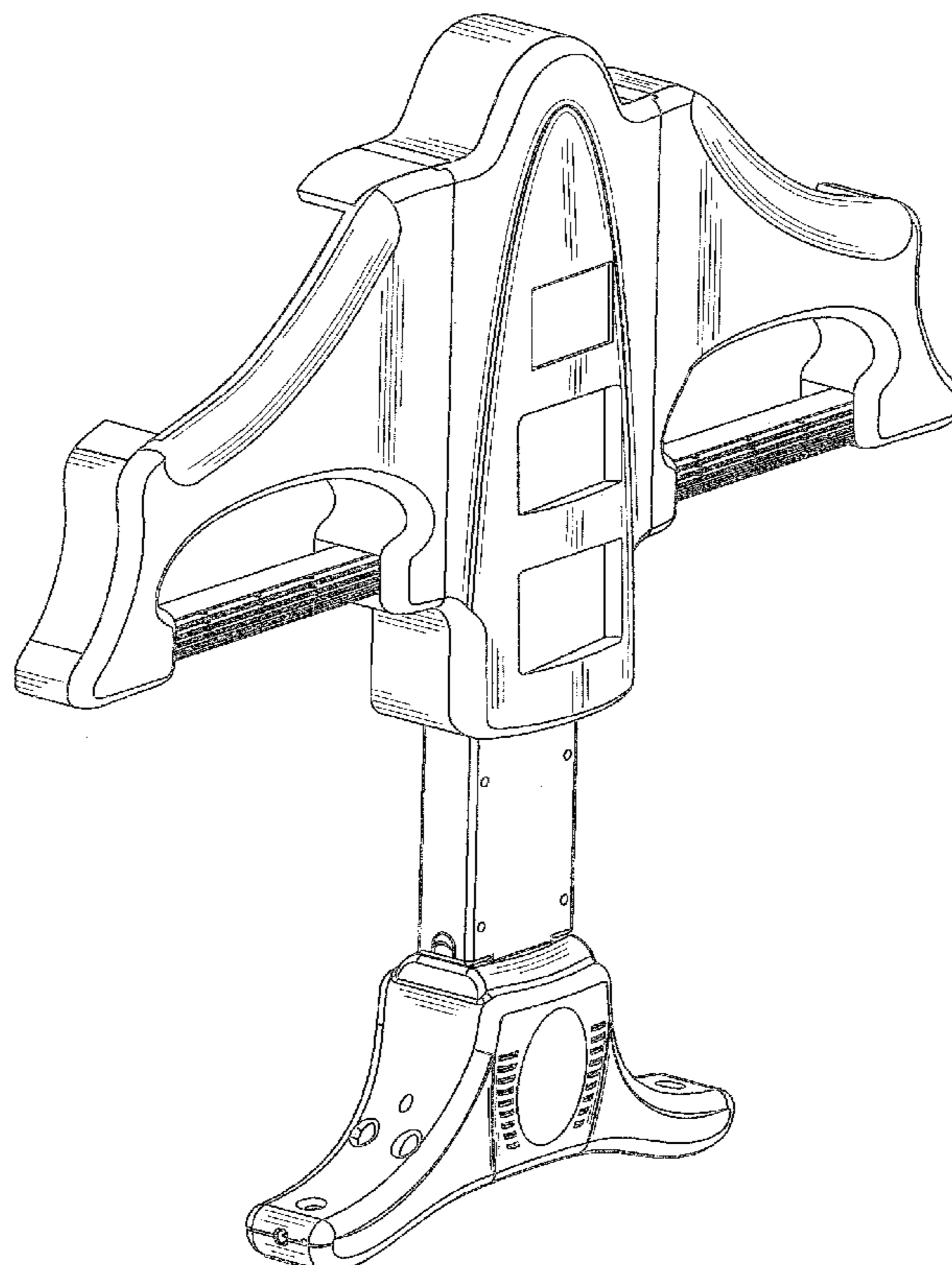
(57) **CLAIM**

The ornamental design for an “abdomen fitness apparatus,” as shown and described.

**DESCRIPTION**

FIG. 1 is a front, top and left side perspective view of an abdomen fitness apparatus showing my new design;  
 FIG. 2 is a front elevational view thereof;  
 FIG. 3 is a left side elevational view thereof;  
 FIG. 4 is a right side elevational view thereof;  
 FIG. 5 is a top plan view thereof;  
 FIG. 6 is a bottom plan view thereof;  
 FIG. 7 is a front, top and left side perspective view of a second embodiment of an abdomen fitness apparatus showing my new design;  
 FIG. 8 is a front elevational view thereof;  
 FIG. 9 is a left side elevational view thereof;  
 FIG. 10 is a right side elevational view thereof;  
 FIG. 11 is a top plan view thereof; and,  
 FIG. 12 is a bottom plan view thereof.

**1 Claim, 8 Drawing Sheets**



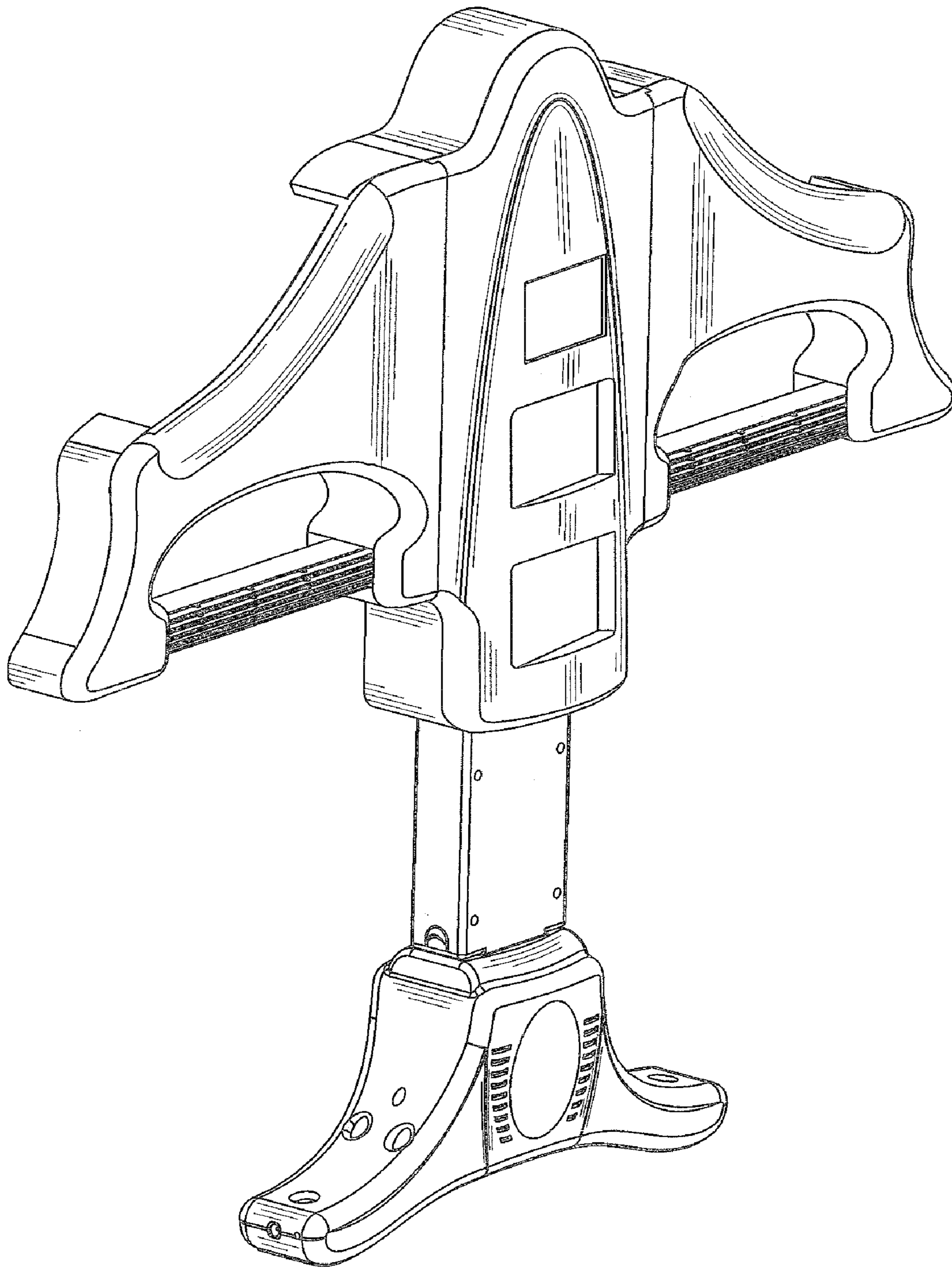


FIG. 1

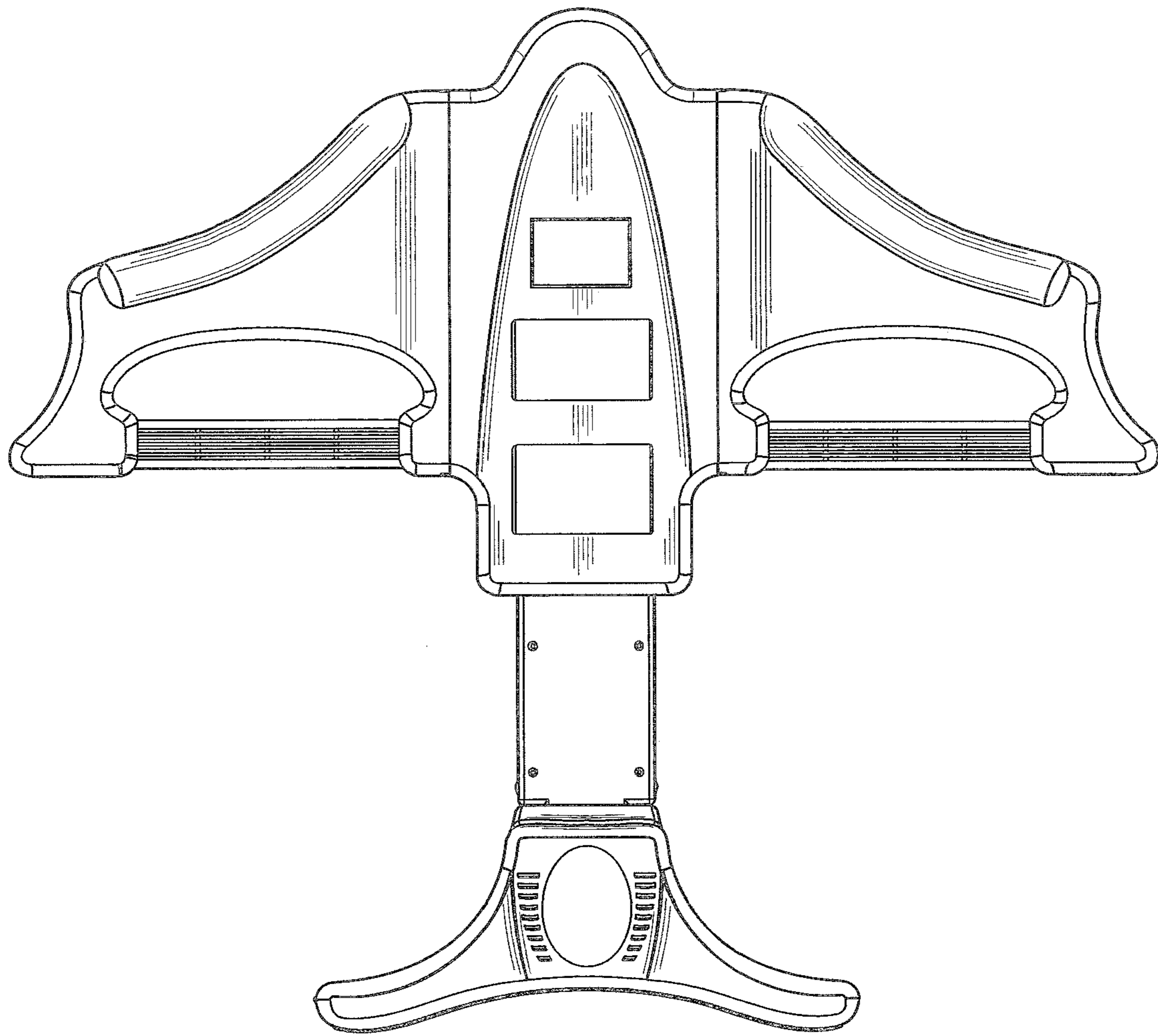


FIG. 2

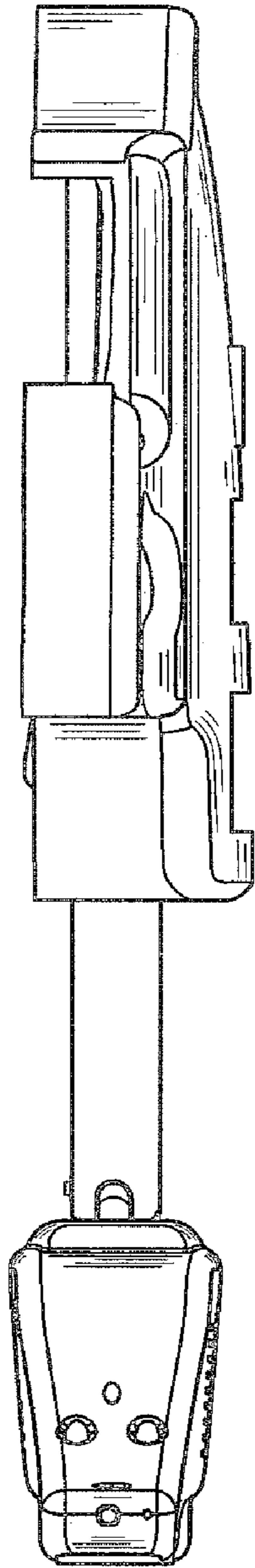


FIG. 3

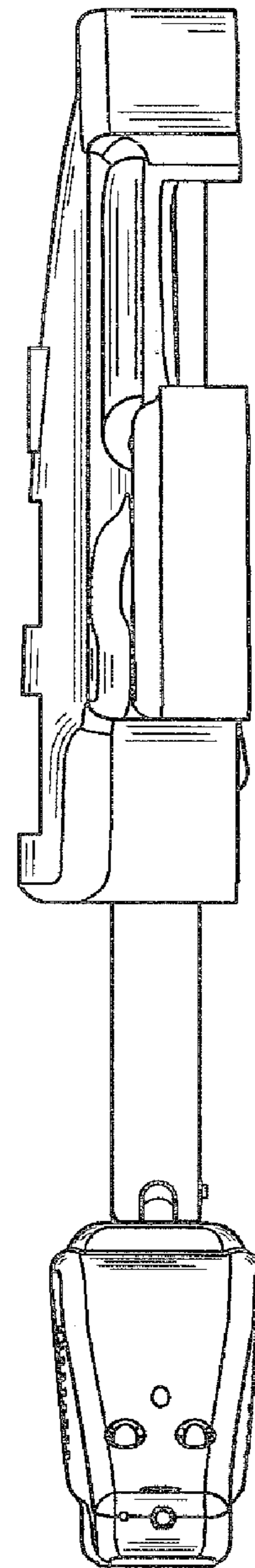


FIG. 4



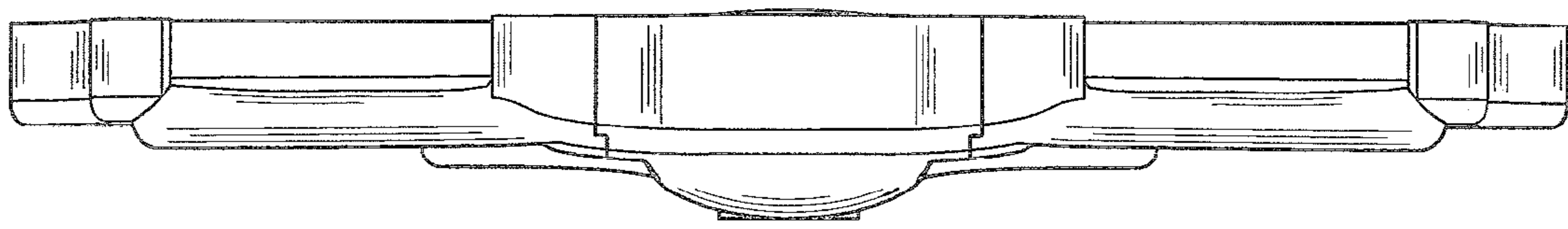


FIG. 5

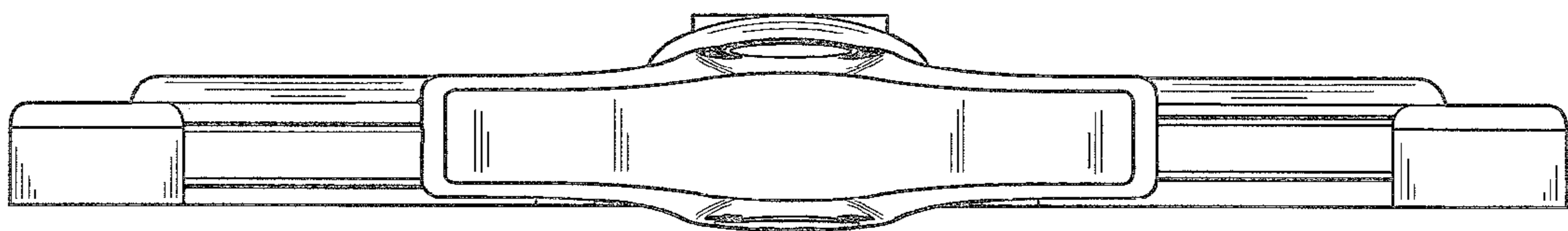


FIG. 6

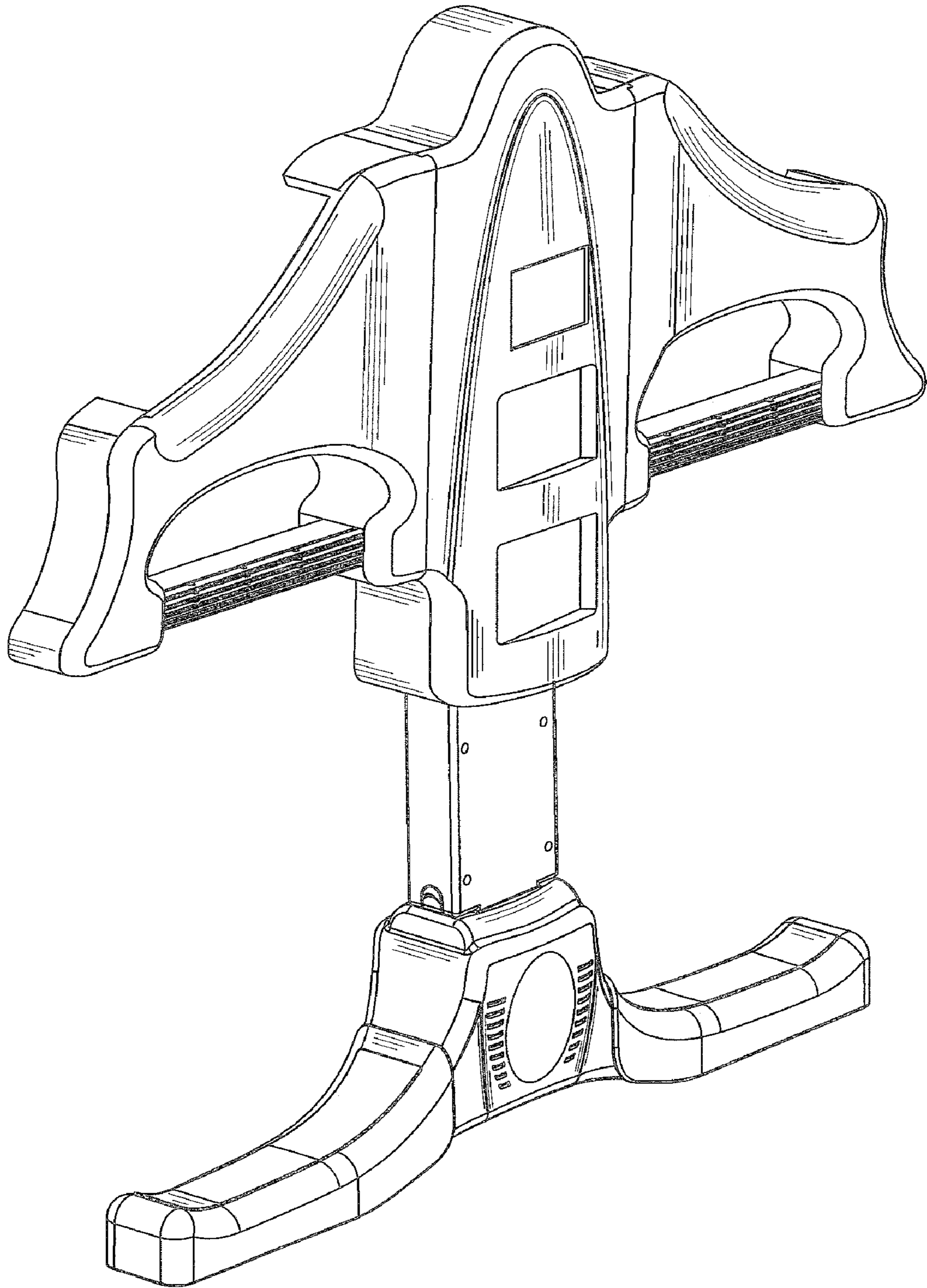


FIG. 7

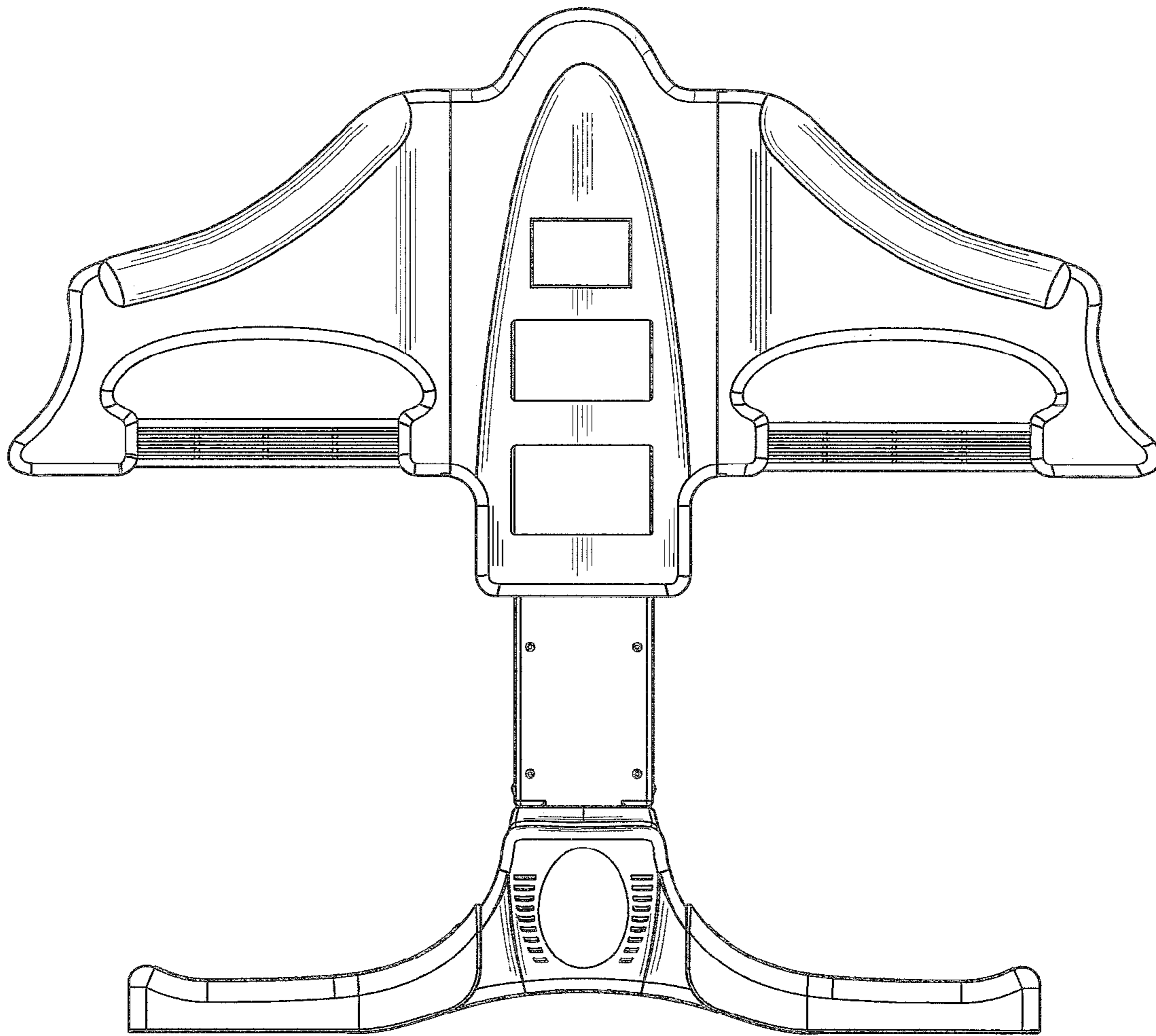


FIG. 8

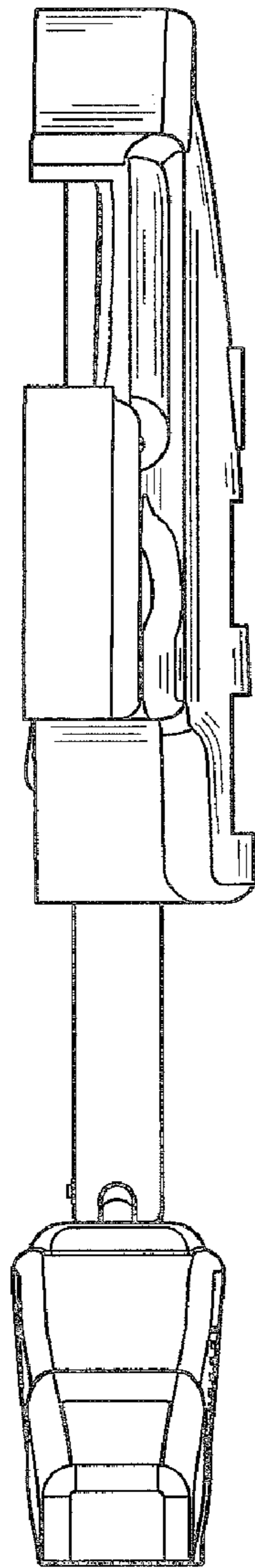


FIG. 9

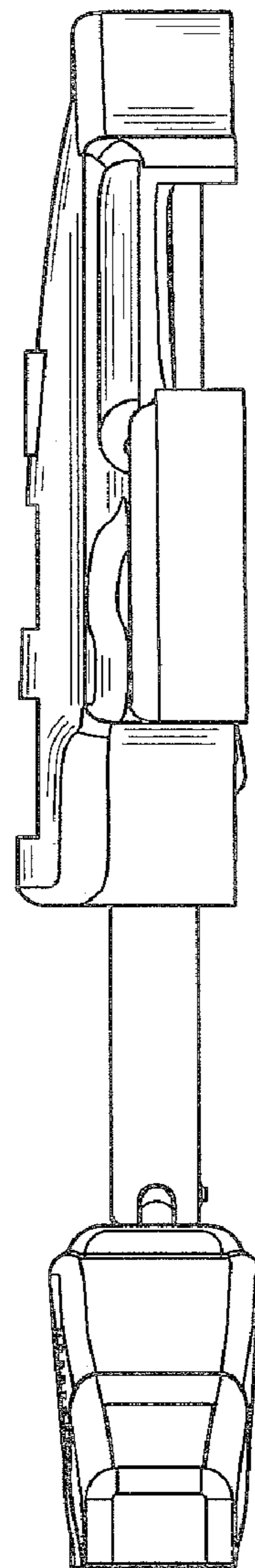


FIG. 10



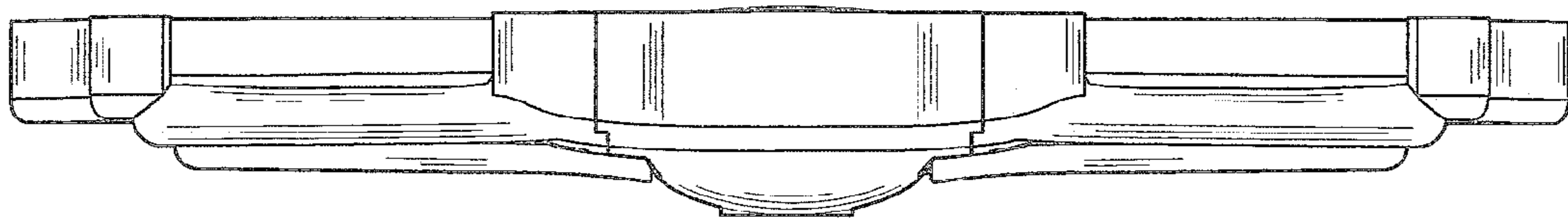


FIG. 11

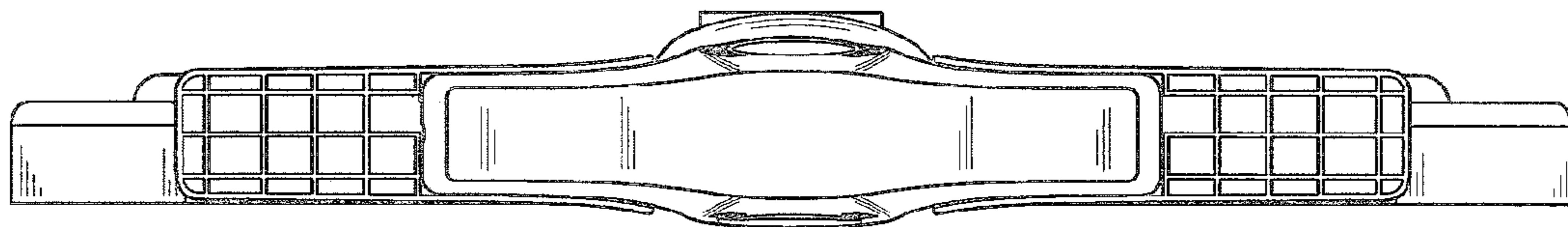


FIG. 12