



US00D589573S

(12) **United States Design Patent**
McVay et al.

(10) **Patent No.:** **US D589,573 S**
(45) **Date of Patent:** **** Mar. 31, 2009**

(54) **EXERCISE DEVICE**

(75) Inventors: **John R. McVay**, Canton, OH (US); **Jane Kmatz**, Louisville, OH (US); **Brian Stelmarski**, Northfield Center, OH (US); **Neil Summers**, Docking (GB); **Han-Sung Lin (Jack Lin)**, Xiamen (CN)

(73) Assignee: **Enanef, Ltd**, Docking, Surrey (GB)

(**) Term: **14 Years**

(21) Appl. No.: **29/263,941**

(22) Filed: **Aug. 1, 2006**

(51) **LOC (9) Cl.** **21-02**

(52) **U.S. Cl.** **D21/668**

(58) **Field of Classification Search** D21/662,
D21/663, 668, 669, 670; 482/51, 52, 54,
482/63, 70

See application file for complete search history.

(56) **References Cited**

U.S. PATENT DOCUMENTS

3,791,645 A	2/1974	Stelma
4,340,214 A	7/1982	Schutzer
4,650,184 A	3/1987	Brebner
4,846,463 A	7/1989	Kleinnibbelink
4,869,496 A	9/1989	Colombo
4,909,504 A	3/1990	Yang
5,020,793 A	6/1991	Loane
5,064,190 A	11/1991	Holt
5,078,389 A	1/1992	Chen
5,222,928 A	6/1993	Yacullo
5,232,423 A	8/1993	Hajduczek
5,279,532 A	1/1994	Chen
5,326,338 A	7/1994	Makous
5,328,427 A	7/1994	Sleamaker
5,425,691 A	6/1995	Van Der Hoeven
5,503,609 A	4/1996	Bull
5,518,483 A	5/1996	Oswald
5,520,598 A	5/1996	Little
D370,949 S	6/1996	Furner

D371,176 S	6/1996	Furner	
5,536,225 A	7/1996	Neuberg et al.	
5,582,567 A	12/1996	Chang	
5,591,105 A	1/1997	Dalebout et al.	
5,613,856 A	3/1997	Hoover	
D383,812 S *	9/1997	Lo et al. D21/668
5,665,033 A	9/1997	Palmer	
D385,600 S *	10/1997	Lo et al. D21/668
5,683,331 A	11/1997	Dalebout	
5,690,590 A	11/1997	Lo	
D387,102 S *	12/1997	Husney D21/668
5,692,995 A	12/1997	Alvarez et al.	

(Continued)

FOREIGN PATENT DOCUMENTS

EM 68267-0001 8/2003

(Continued)

OTHER PUBLICATIONS

Daily Mail, Jul. 14, 2006, 7 pages.

Primary Examiner—Philip Hyder

Assistant Examiner—Philip S Hyder

(74) *Attorney, Agent, or Firm*—Brouse McDowell; Heather M. Barnes

(57) **CLAIM**

The ornamental design for an exercise device, as shown.

DESCRIPTION

FIG. 1 is a perspective view showing the new design;

FIG. 2 is a front elevational view thereof;

FIG. 3 is a rear elevational view thereof;;

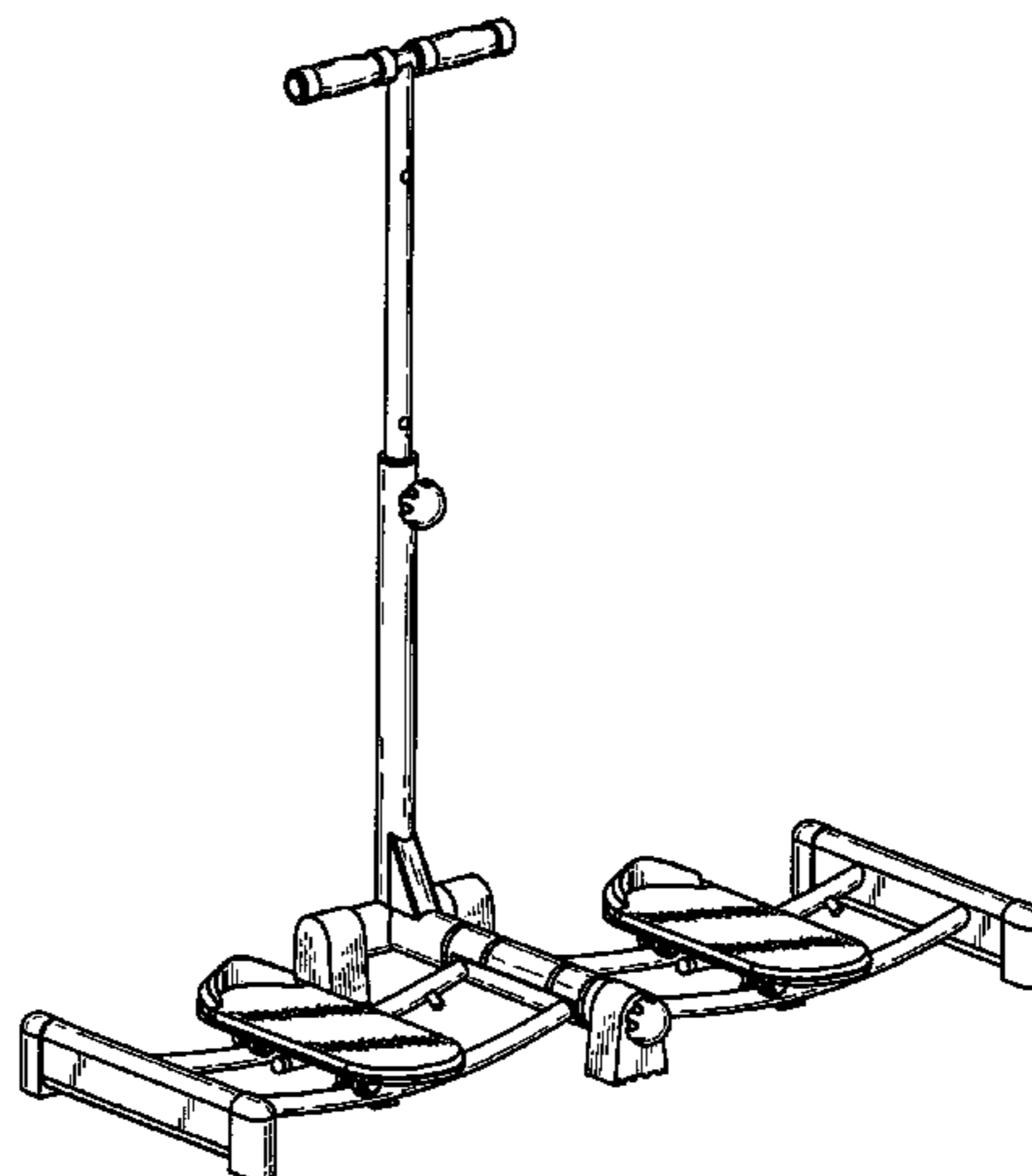
FIG. 4 is a top plan view thereof;

FIG. 5 is a bottom plan view thereof;

FIG. 6 is side elevational view taken from the right of FIG. 1; and,

FIG. 7 is a side elevational view taken from the left of FIG. 1.

1 Claim, 5 Drawing Sheets



US D589,573 S

Page 2

U.S. PATENT DOCUMENTS

5,735,778 A 4/1998 Piaget
5,895,340 A 4/1999 Keller
5,971,891 A 10/1999 Humphrey
5,989,163 A 11/1999 Rodgers, Jr.
D419,625 S 1/2000 Barnett et al.
6,042,510 A 3/2000 Miller
6,071,217 A 6/2000 Barnett
6,077,202 A 6/2000 Gray
D439,291 S 3/2001 Barnett et al.
6,231,484 B1 5/2001 Gordon
6,232,423 B1 5/2001 Kohler
6,280,366 B1 8/2001 Hsieh
6,368,112 B1 4/2002 Mason
6,368,254 B1 4/2002 Wall
6,508,746 B1 1/2003 Jacobs et al.
6,514,180 B1 2/2003 Rawls

6,620,080 B1 9/2003 Gray
6,626,802 B1 9/2003 Rodgers, Jr.
6,679,813 B1 1/2004 Gray
6,786,850 B2 9/2004 Nizamuddin
6,837,830 B2 1/2005 Eldridge
6,849,032 B2 2/2005 Chu
D512,111 S 11/2005 Summers
6,984,195 B1 1/2006 Phillips
6,991,588 B1 1/2006 Adams
D550,312 S * 9/2007 Summers D21/668

FOREIGN PATENT DOCUMENTS

GB 3011754 3/2003
JP 2005-177405 12/2003
JP 2005-177405 7/2005

* cited by examiner

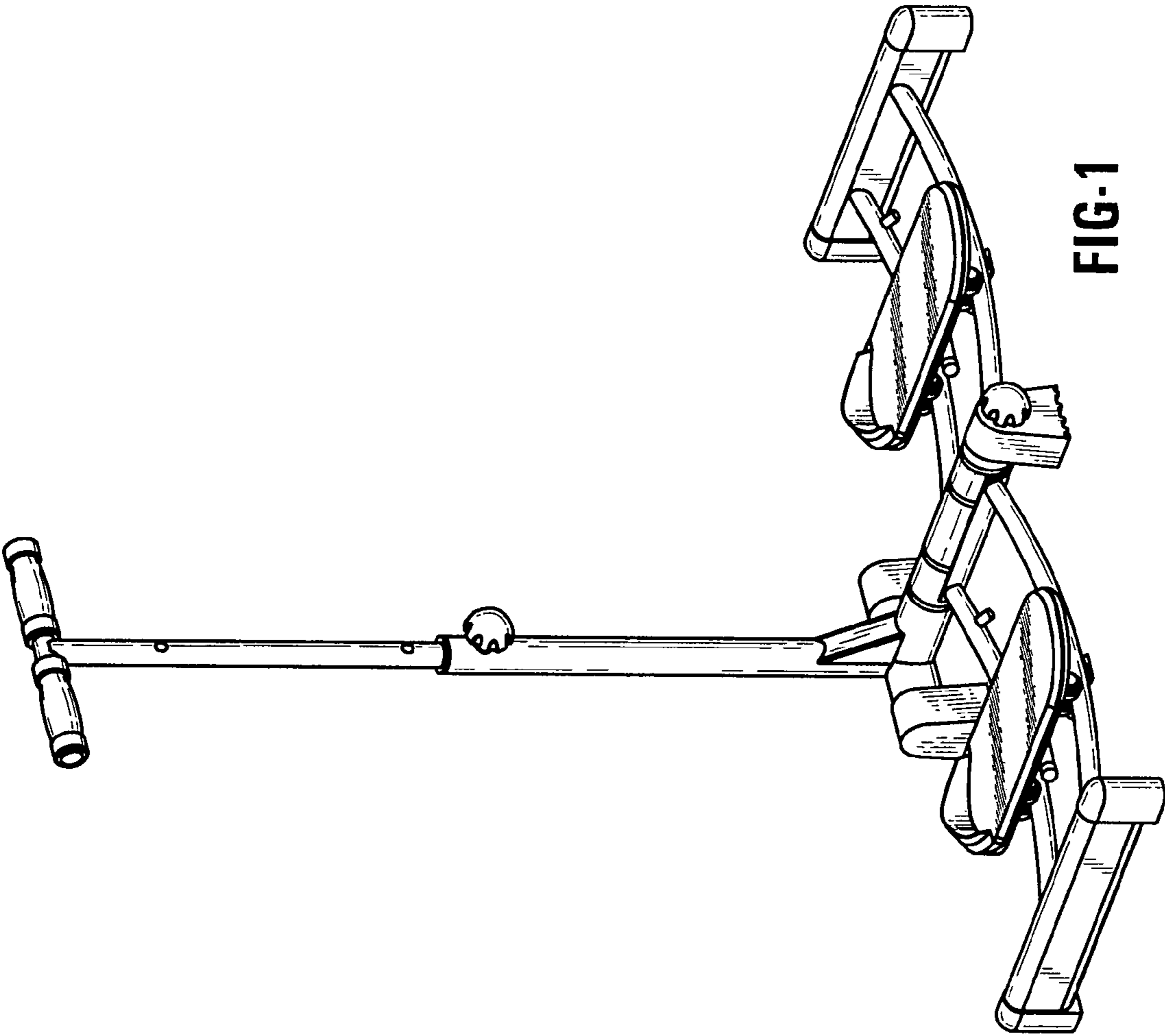


FIG-1

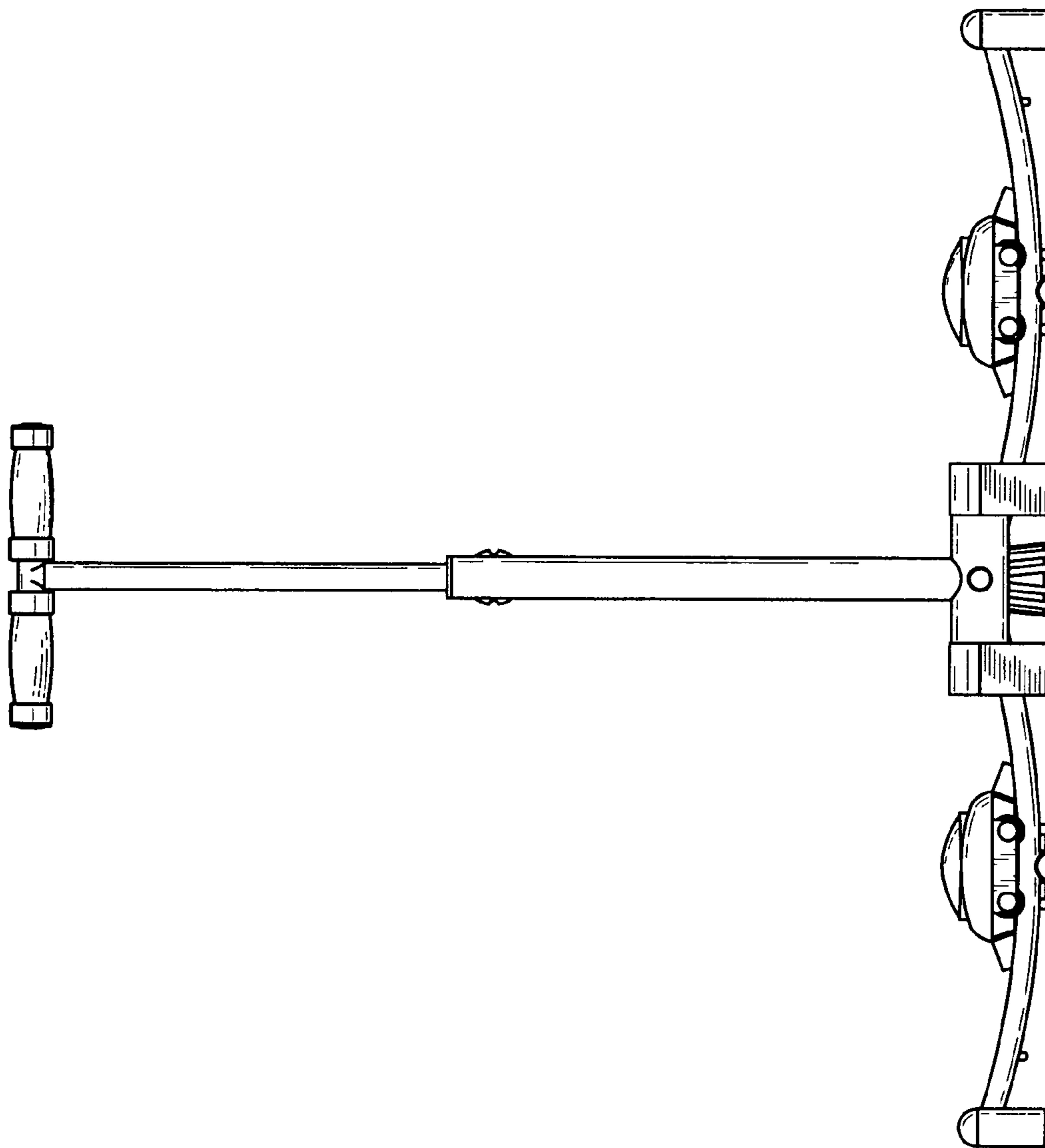


FIG-2

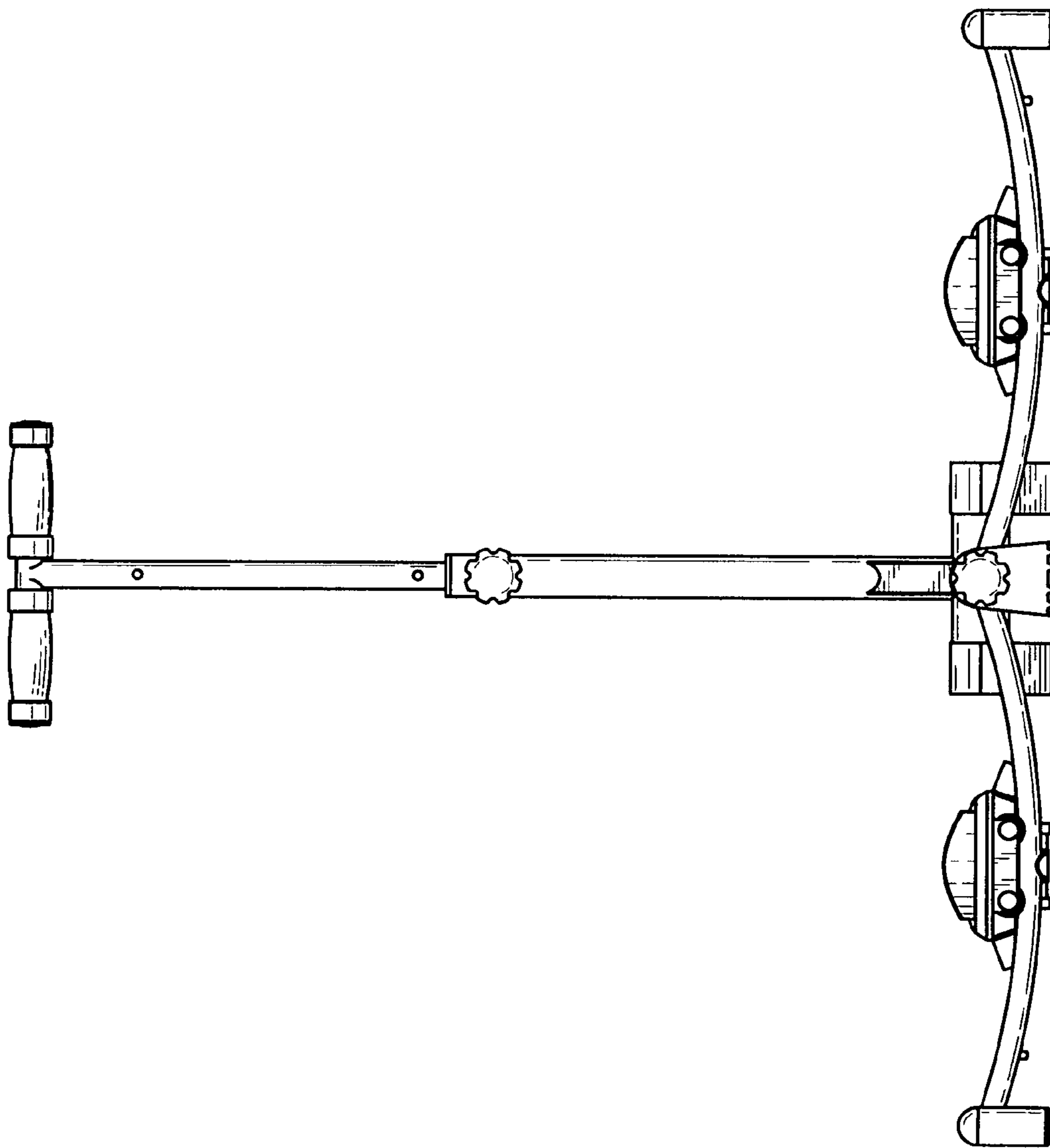


FIG-3

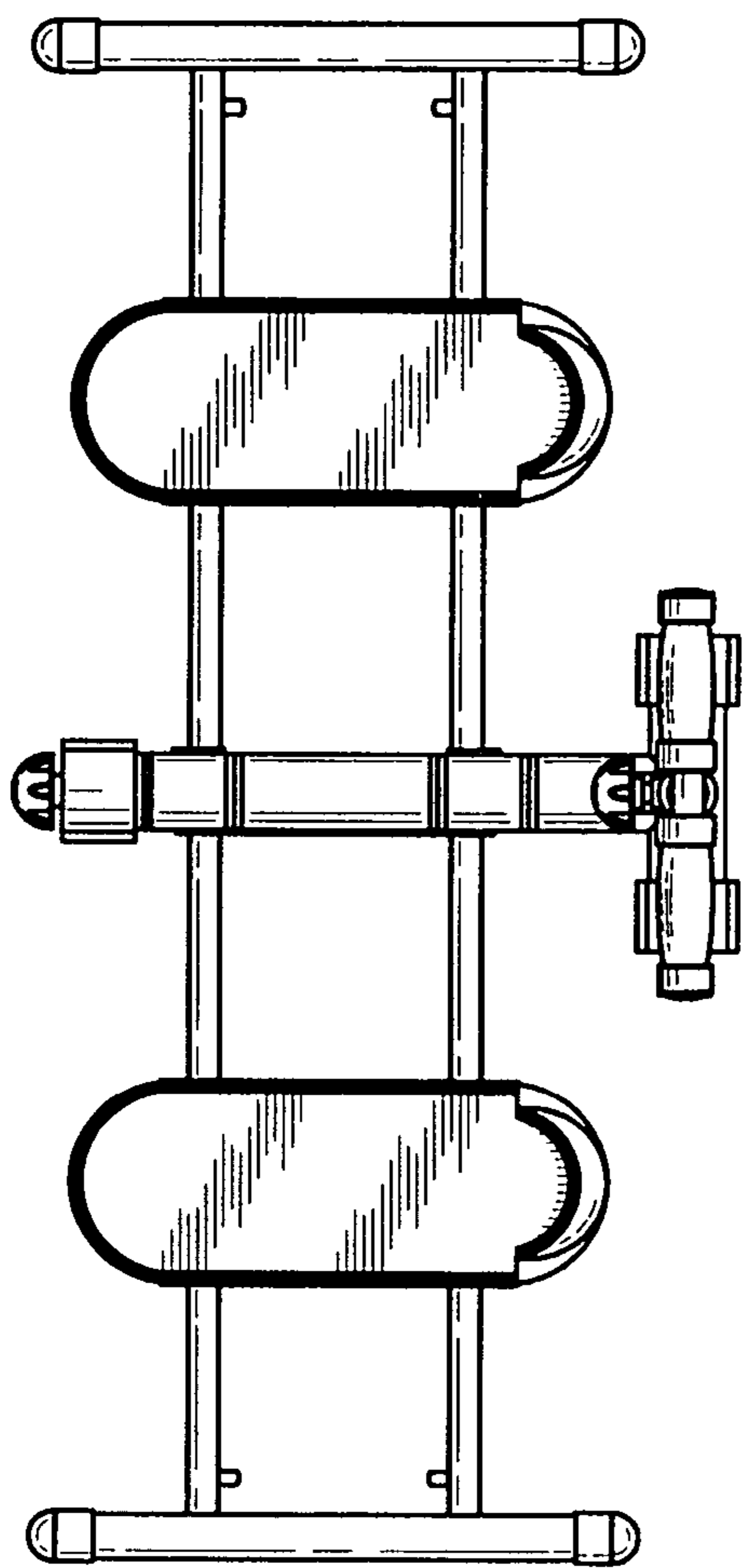


FIG-4

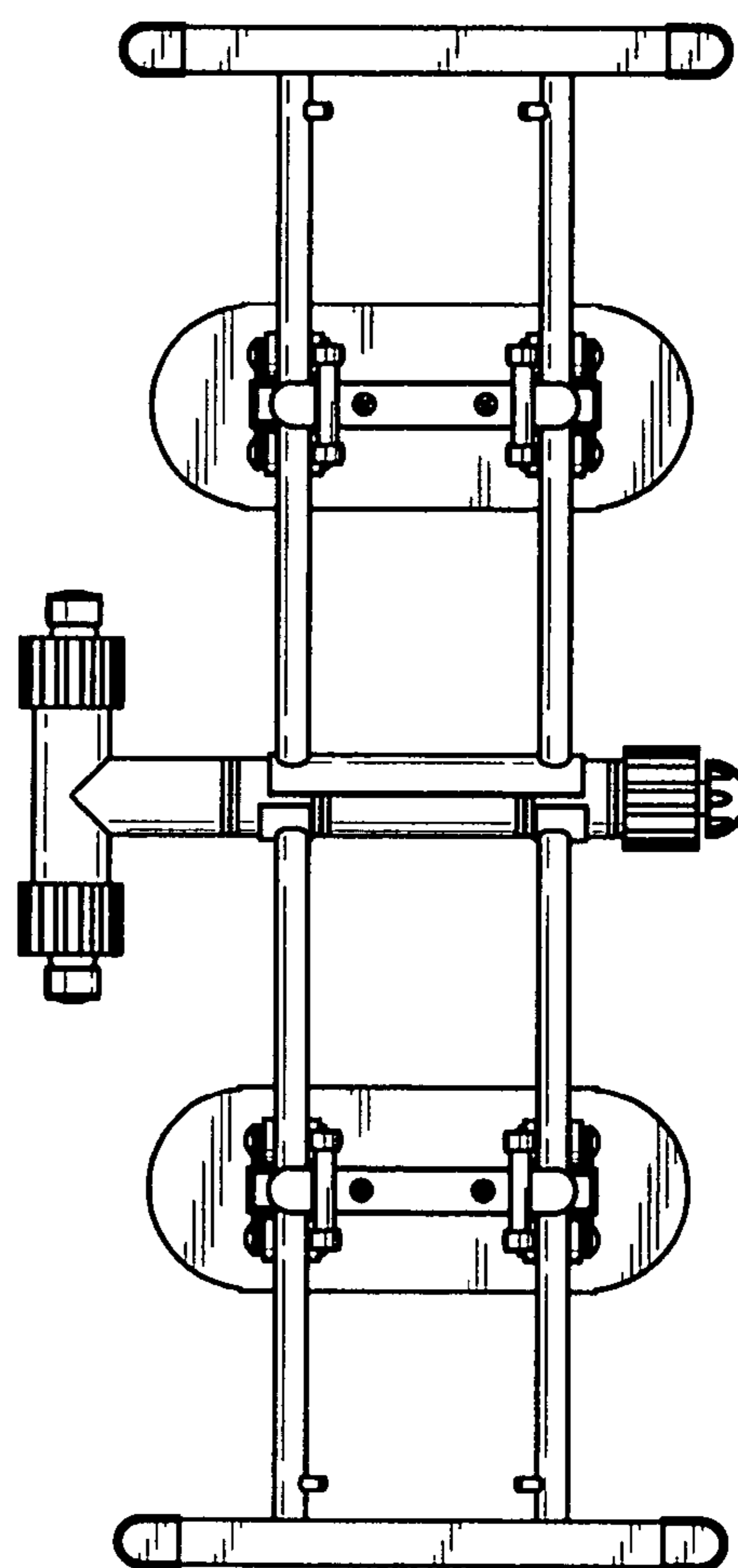


FIG-5

