



US00D589565S

(12) **United States Design Patent**
Maschino

(10) **Patent No.:** **US D589,565 S**
(45) **Date of Patent:** **** Mar. 31, 2009**

(54) **SIGN DISPLAY**

(76) Inventor: **Robert Dennis Maschino**, 7722 Sinawa Rd., Valders, WI (US) 54245

(**) Term: **14 Years**

(21) Appl. No.: **29/294,593**

(22) Filed: **Jan. 18, 2008**

(51) **LOC (9) Cl.** **20-02**

(52) **U.S. Cl.** **D20/41; D20/21**

(58) **Field of Classification Search** D20/10, D20/19, 21, 39-43, 99; 40/538, 541, 584, 40/600, 606.01, 606.13, 606.14, 606.18, 40/607.03, 607.05, 608.08, 607.11, 653, 40/661.08; D10/109; D21/455, 458; 362/812
See application file for complete search history.

(56) **References Cited**

U.S. PATENT DOCUMENTS

- 1,649,249 A * 11/1927 Newman 40/607.11
- D84,130 S * 5/1931 Courtenay D20/41
- 2,581,762 A * 1/1952 Hesse 40/653
- 3,058,246 A * 10/1962 Schoeffier 40/606.13
- D207,477 S * 4/1967 McLarty D20/21
- 4,259,803 A * 4/1981 Sittler 40/607.03
- D265,746 S * 8/1982 Robillard D20/41
- 4,353,179 A 10/1982 Jennings
- 4,392,316 A 7/1983 Thomas
- 4,790,091 A 12/1988 Hull

- 4,793,083 A * 12/1988 McDonald 40/606.13
- 5,249,771 A 10/1993 Wear
- D342,285 S * 12/1993 Boyar D20/41
- D373,601 S 9/1996 Jackle
- 5,953,841 A 9/1999 Sawyer
- 6,178,673 B1 1/2001 Blackford et al.
- 2005/0284011 A1* 12/2005 Todd 40/600

* cited by examiner

Primary Examiner—Caron Veynar

Assistant Examiner—Mary Ann Calabrese

(74) *Attorney, Agent, or Firm*—Brannen Law Office, LLC

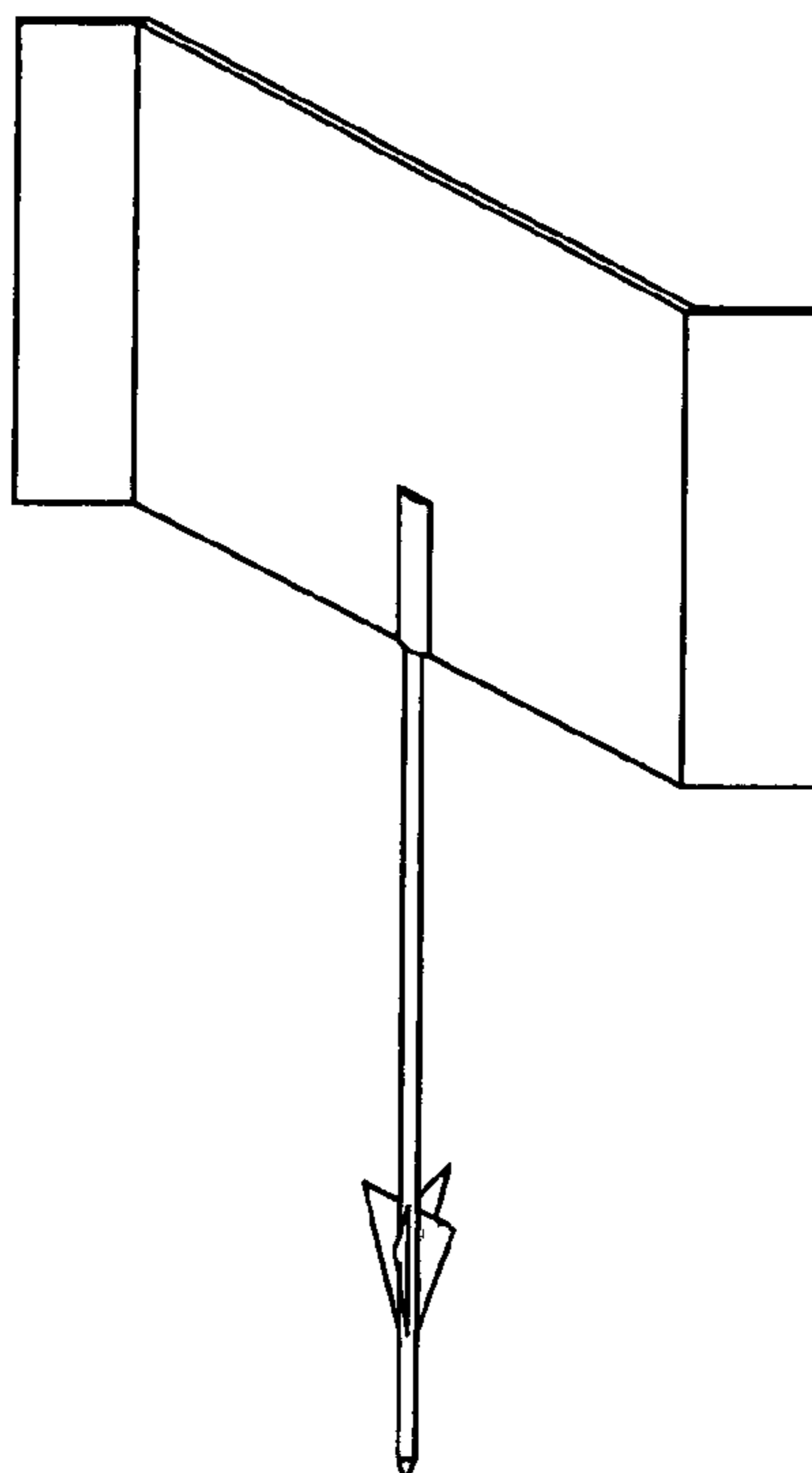
(57) **CLAIM**

The ornamental design for a sign display, as shown and described.

DESCRIPTION

FIG. 1 is a side view of a sign display of my invention;
 FIG. 2 is an end view of the sign display shown in FIG. 1;
 FIG. 3 is a perspective view of the sign display shown in FIG. 1;
 FIG. 4 is a perspective view of the upper display piece shown removed from the support for clarity of disclosure
 FIG. 5 is an enlarged side view of the piece shown in FIG. 4;
 FIG. 6 is a top view of the piece shown in FIG. 4; and,
 FIG. 7 is a bottom view of the piece shown in FIG. 4.

1 Claim, 4 Drawing Sheets



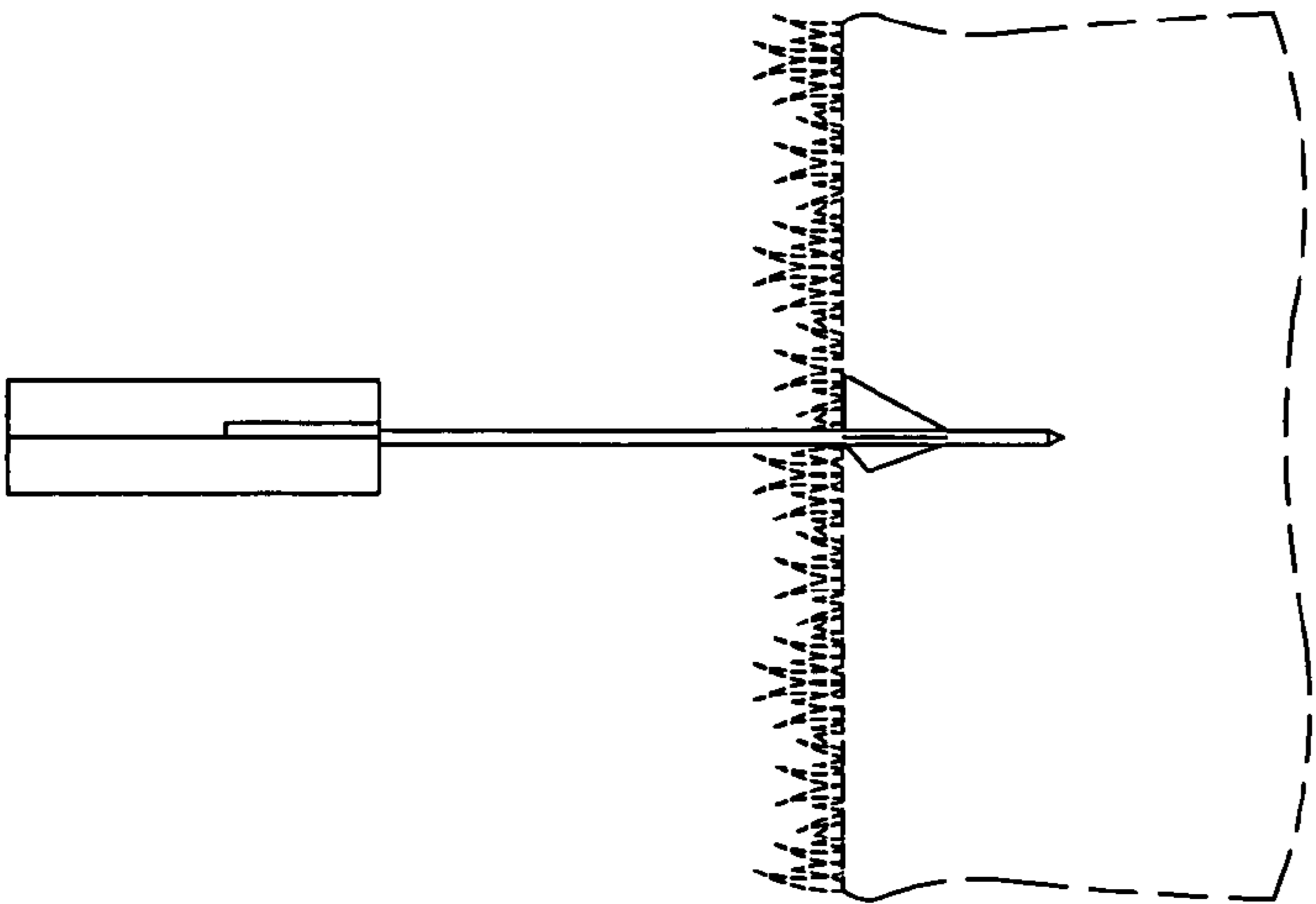


FIG. 1

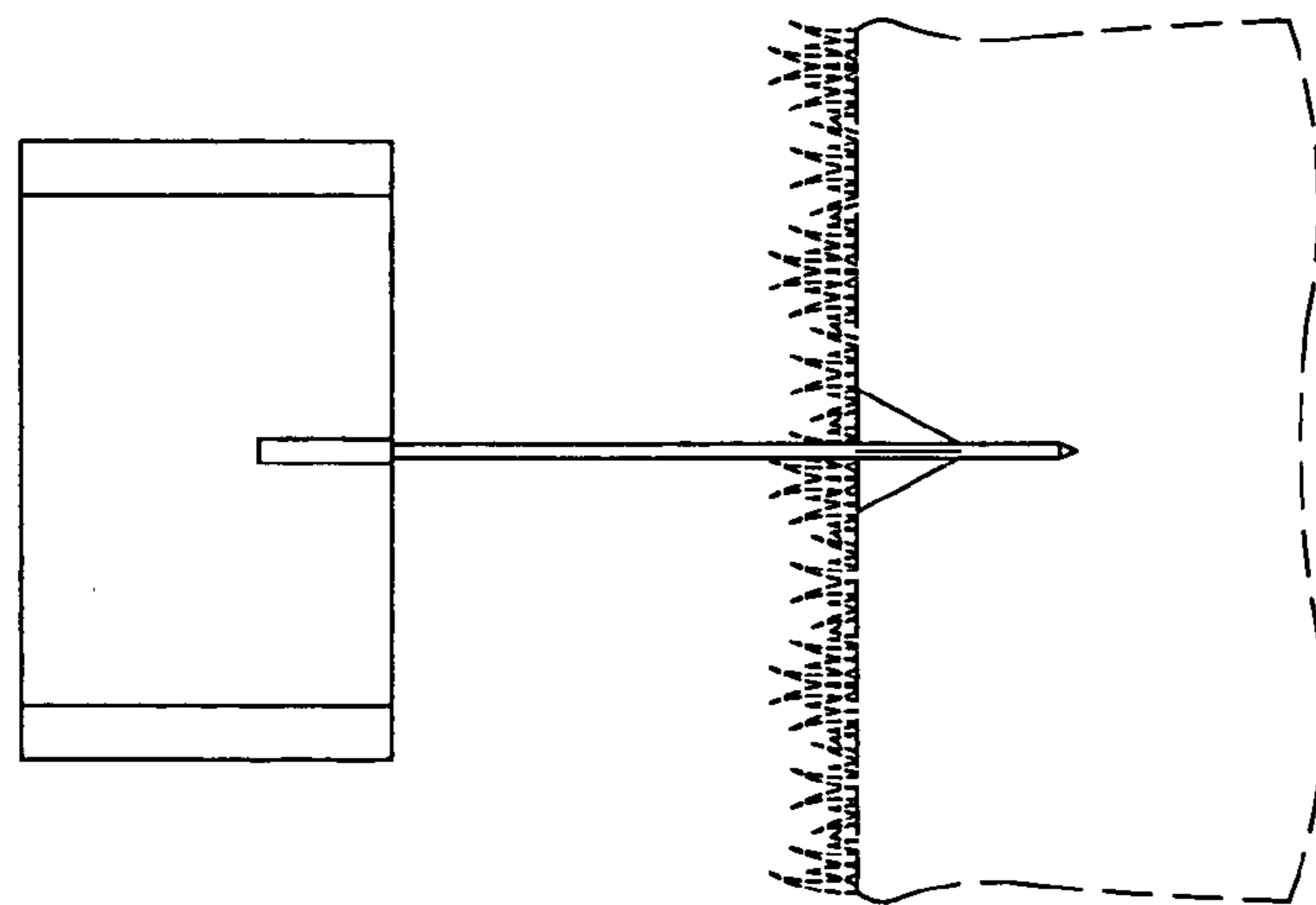


FIG. 2

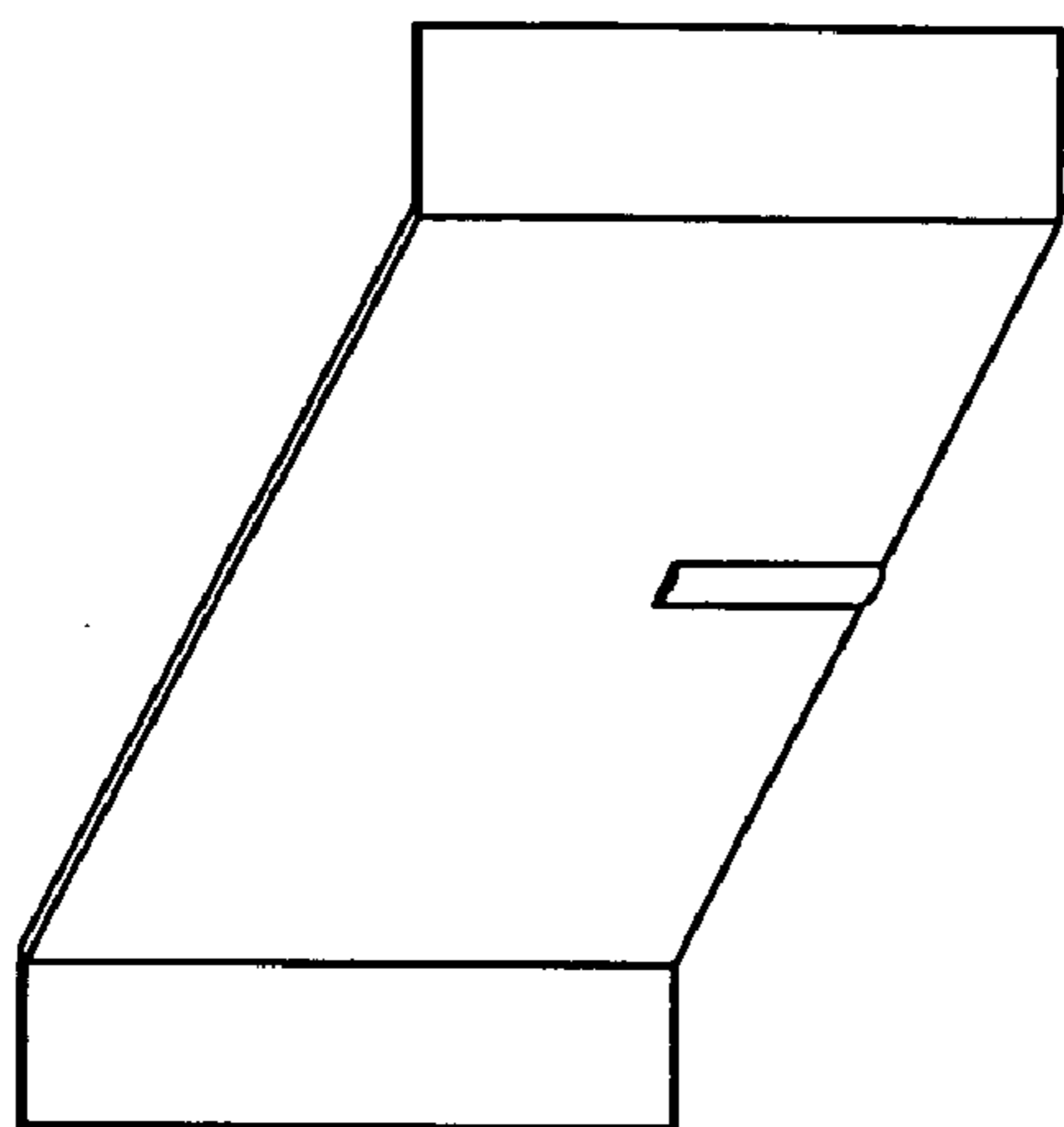


FIG. 4

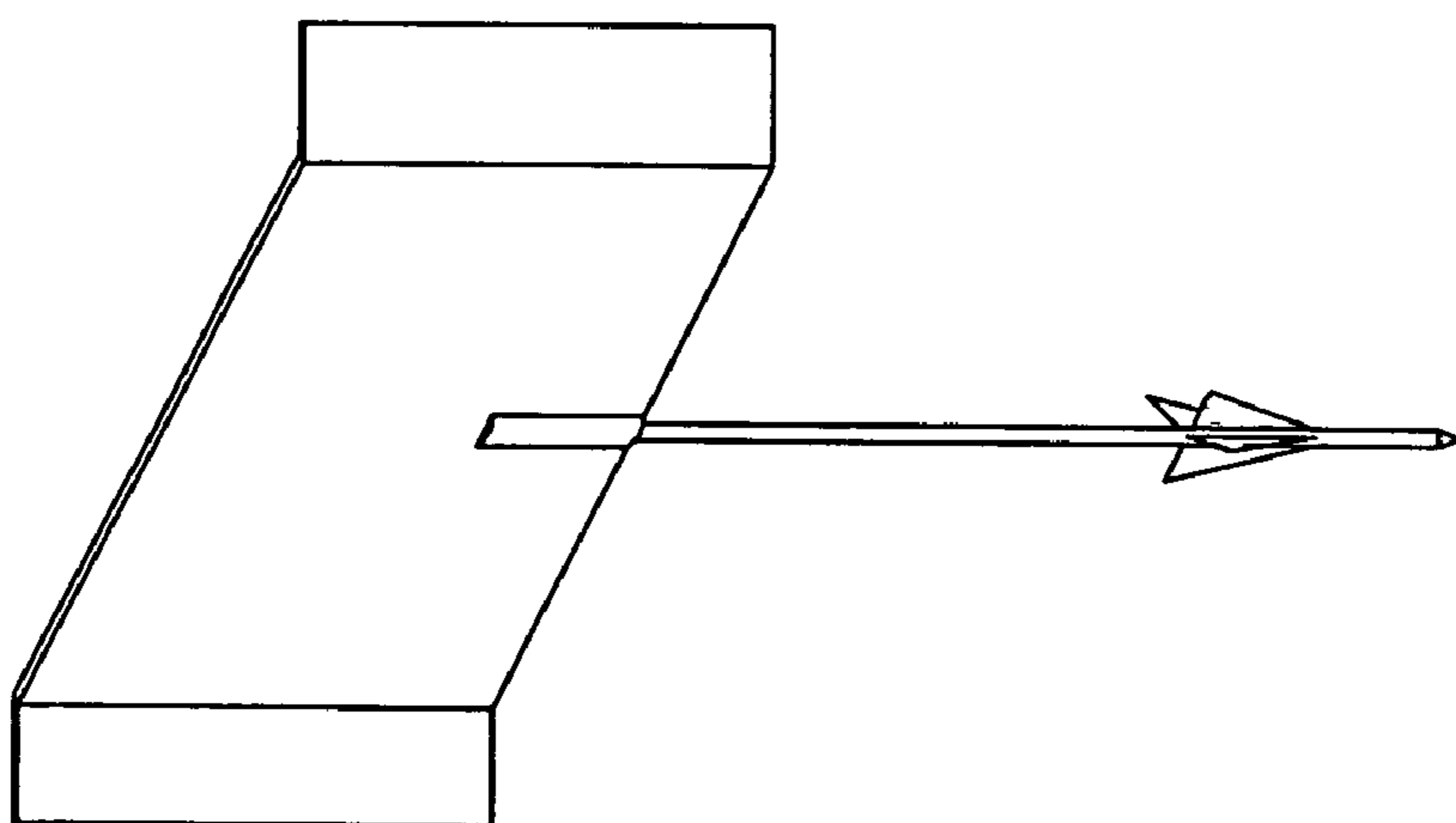


FIG. 3

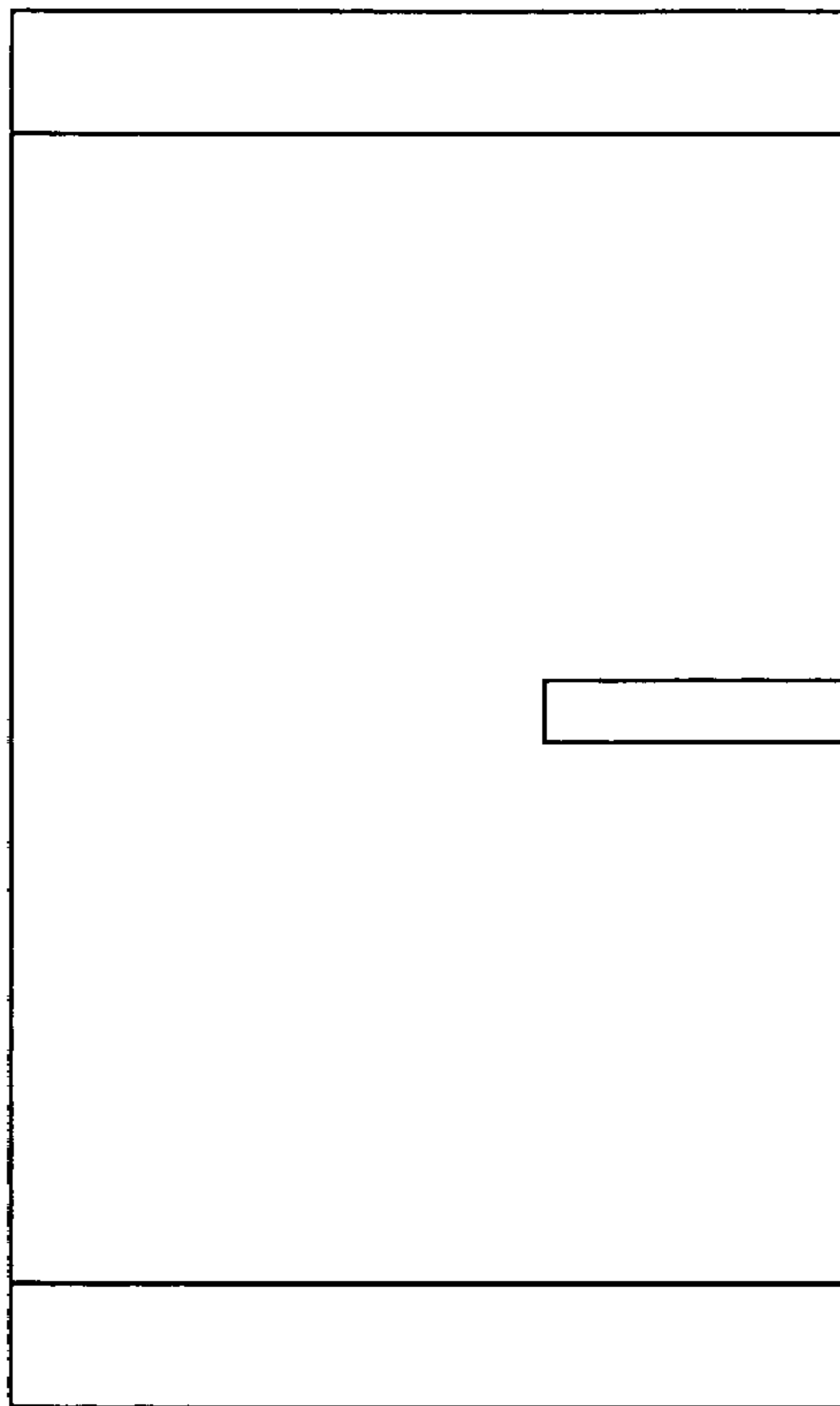


FIG. 5

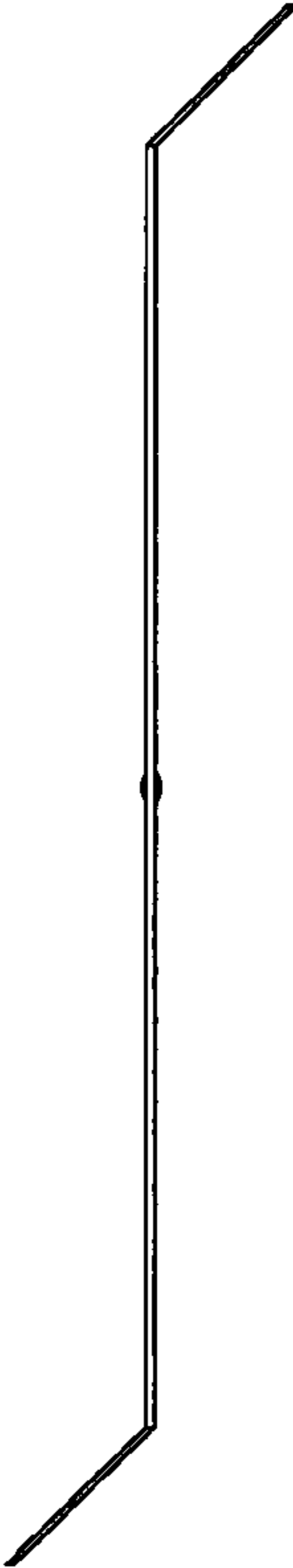


FIG. 6

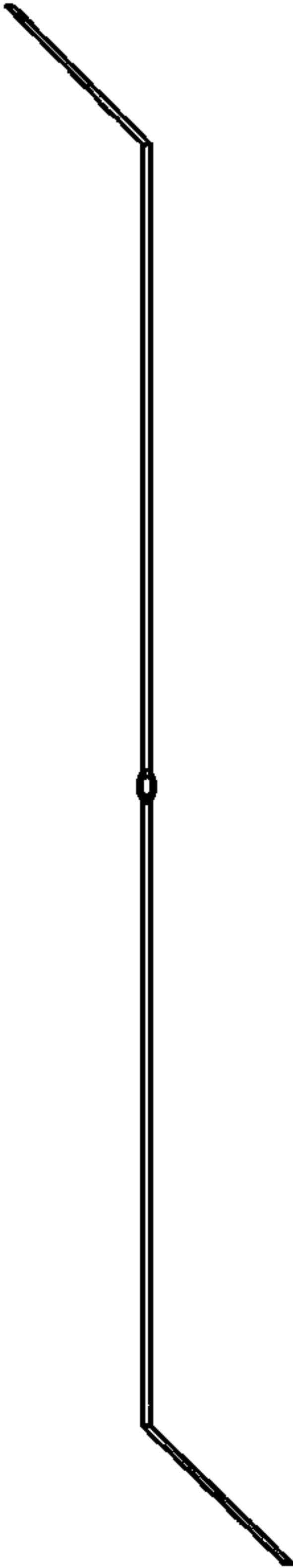


FIG. 7