



US00D589563S

(12) **United States Design Patent**  
**Fitz**

(10) **Patent No.:** **US D589,563 S**  
(45) **Date of Patent:** **\*\* Mar. 31, 2009**

(54) **ROTATING ADVERTISEMENT STAND**

(76) Inventor: **Zoltan Fitz**, 11610 Branch Mooring Dr.,  
Tampa, FL (US) 33635

(\*\*) Term: **14 Years**

(21) Appl. No.: **29/326,146**

(22) Filed: **Oct. 13, 2008**

(51) **LOC (9) Cl.** ..... **20-03**

(52) **U.S. Cl.** ..... **D20/21**

(58) **Field of Classification Search** ..... D20/10,  
D20/17, 19, 21, 39, 41, 99; 40/124.05, 124.09,  
40/473, 479, 493, 535, 538-542, 564, 584,  
40/603-605, 607.3, 624; D6/455; D10/106;  
248/297.21; 362/812

See application file for complete search history.

(56) **References Cited**

**U.S. PATENT DOCUMENTS**

939,768	A *	11/1909	Whiteside	40/479
D193,758	S *	10/1962	Blommel, Jr.	D20/41
3,517,905	A	6/1970	Nestegard	
4,353,179	A *	10/1982	Jennings	40/479
D293,985	S *	2/1988	White	D6/455
4,730,803	A *	3/1988	Hillstrom	248/297.21
5,046,274	A *	9/1991	David	40/604
5,063,377	A	11/1991	Smith	
5,562,459	A *	10/1996	Durlach	434/402

D431,265	S *	9/2000	Herbst	D20/10
D433,455	S *	11/2000	Methot	D20/10
D451,967	S *	12/2001	Lung et al.	D20/21
2008/0120876	A1 *	5/2008	Krapf et al.	40/473

\* cited by examiner

*Primary Examiner*—Janice E Seeger

*Assistant Examiner*—Mary Ann Calabrese

(74) *Attorney, Agent, or Firm*—Larson & Larson; Frank Liebenow

(57) **CLAIM**

I claim the ornamental design for a rotating advertisement stand, as shown and described.

**DESCRIPTION**

FIG. 1 is a front elevation view of the rotating advertisement stand showing my novel design;

FIG. 2 is a rear elevation view thereof;

FIG. 3 is a left elevation view thereof;

FIG. 4 is a right elevation view thereof;

FIG. 5 is a top plan view thereof; and,

FIG. 6 is a bottom plan view thereof.

The broken lines showing in all figures are for illustrative purposes only and form no part of the claimed design.

The break lines in the cord indicate no specific length.

**1 Claim, 3 Drawing Sheets**

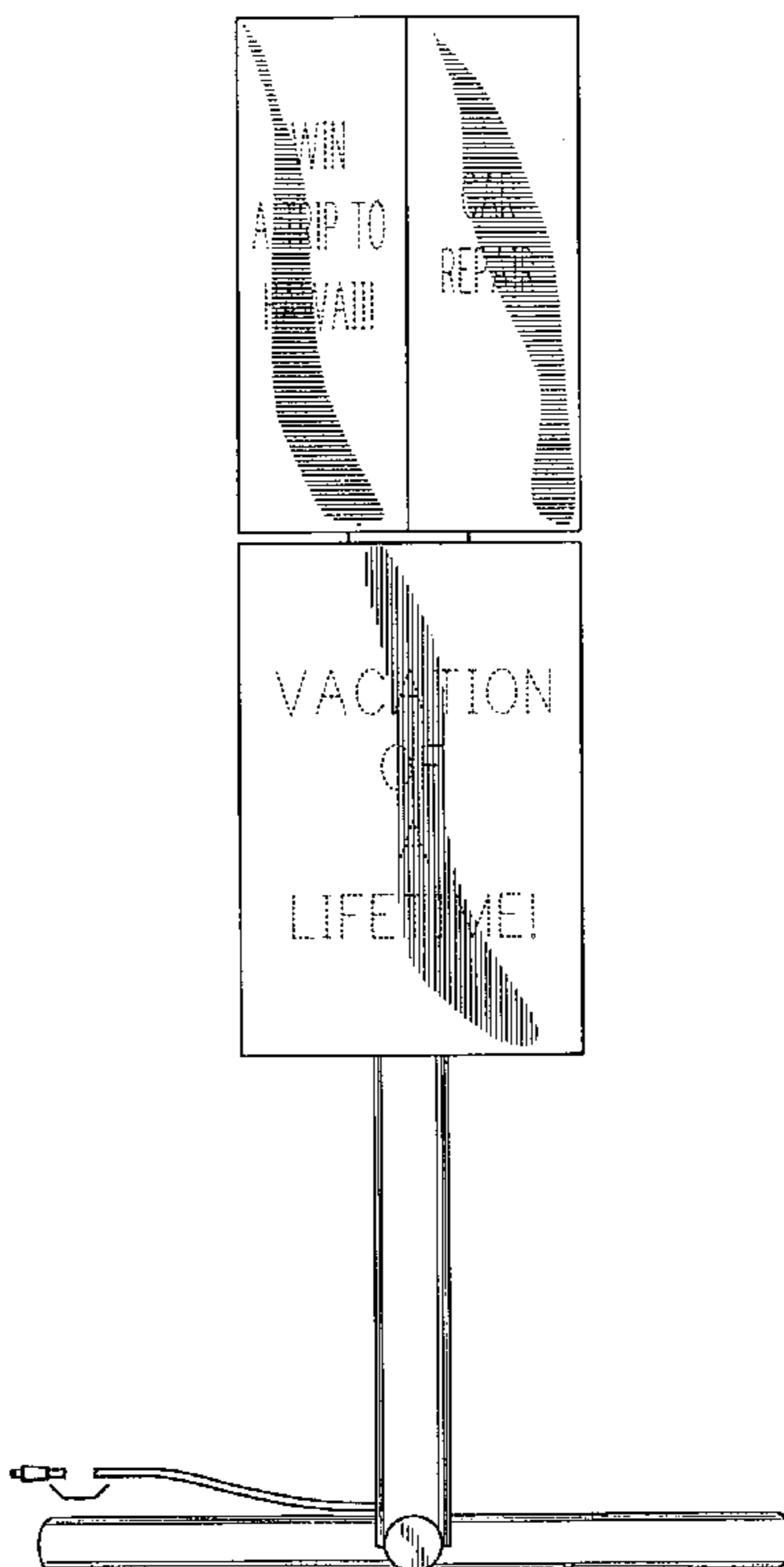


FIG. 1

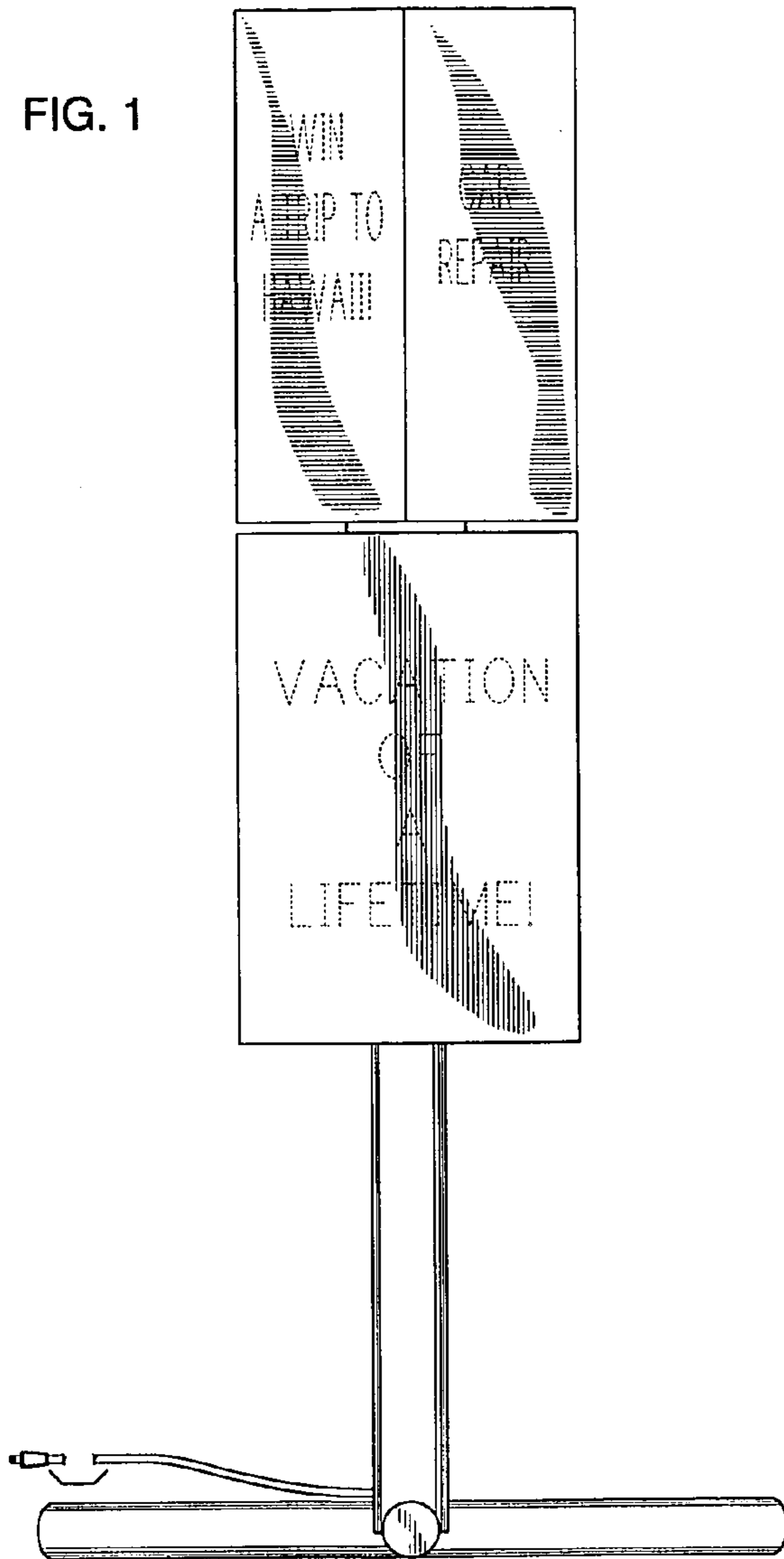


FIG. 2

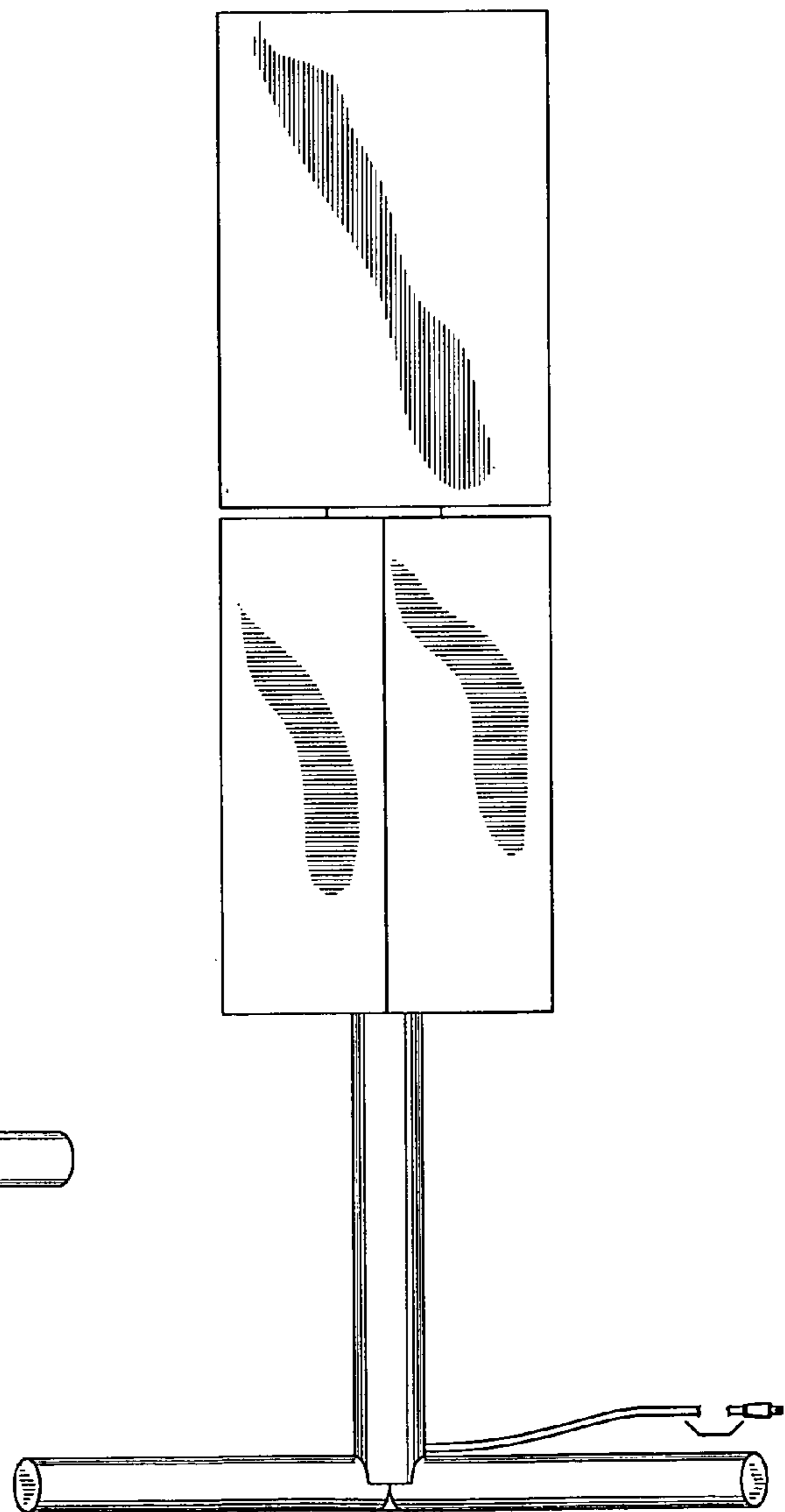


FIG. 3

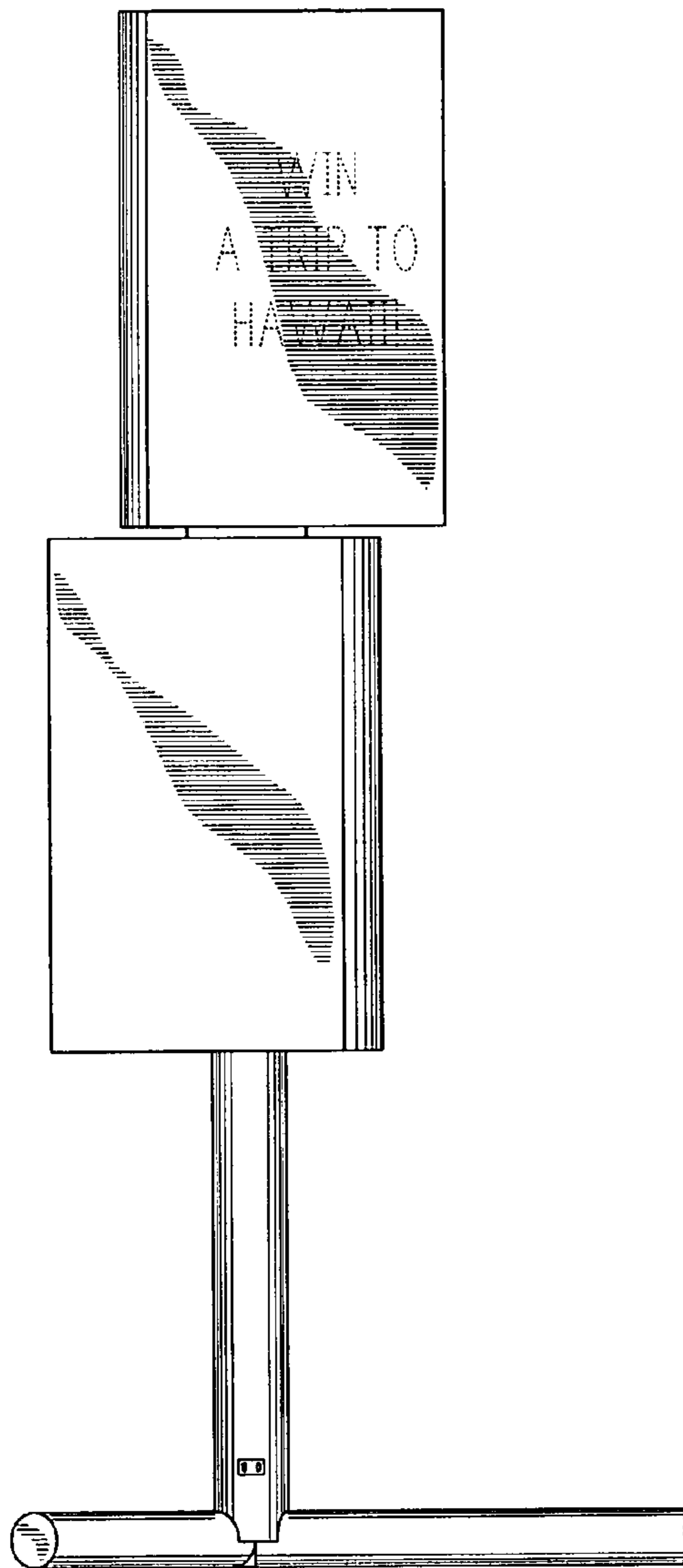


FIG. 4

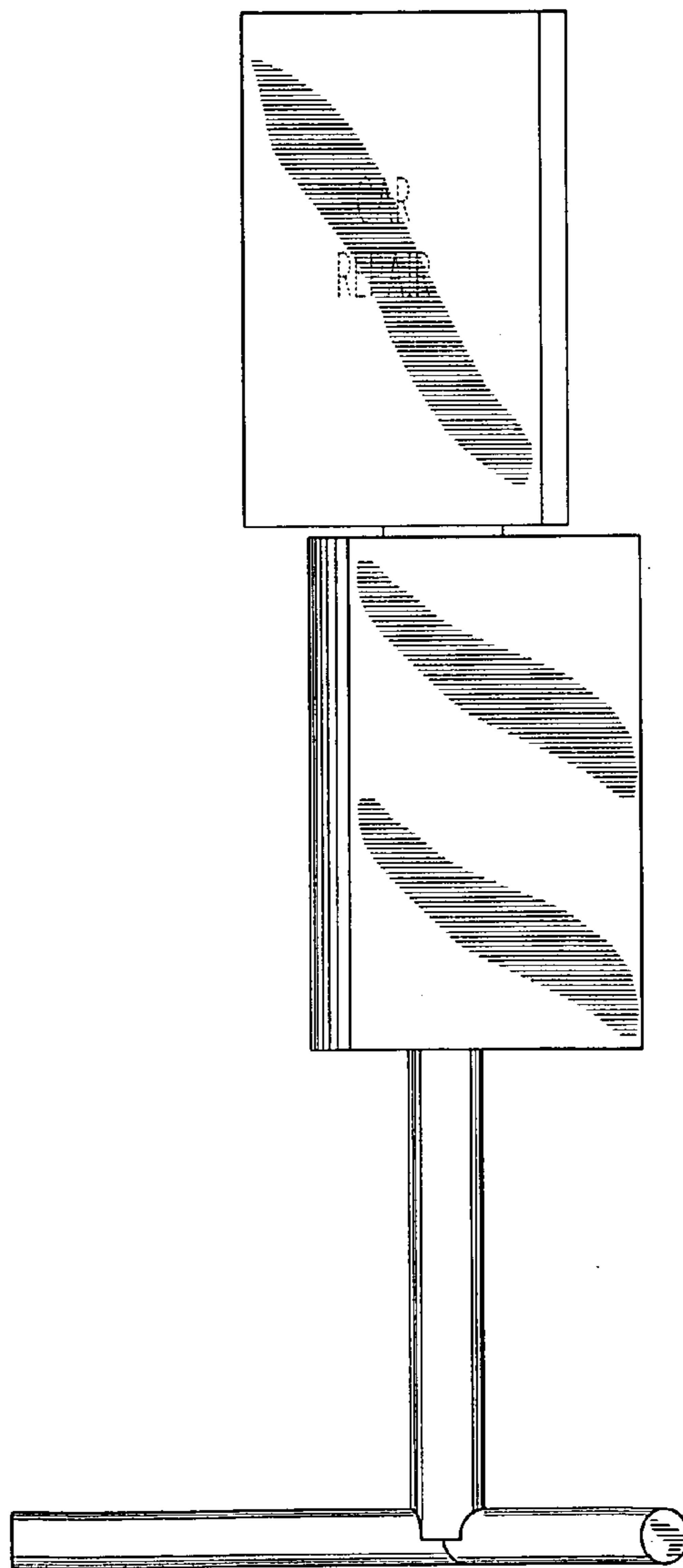


FIG. 5

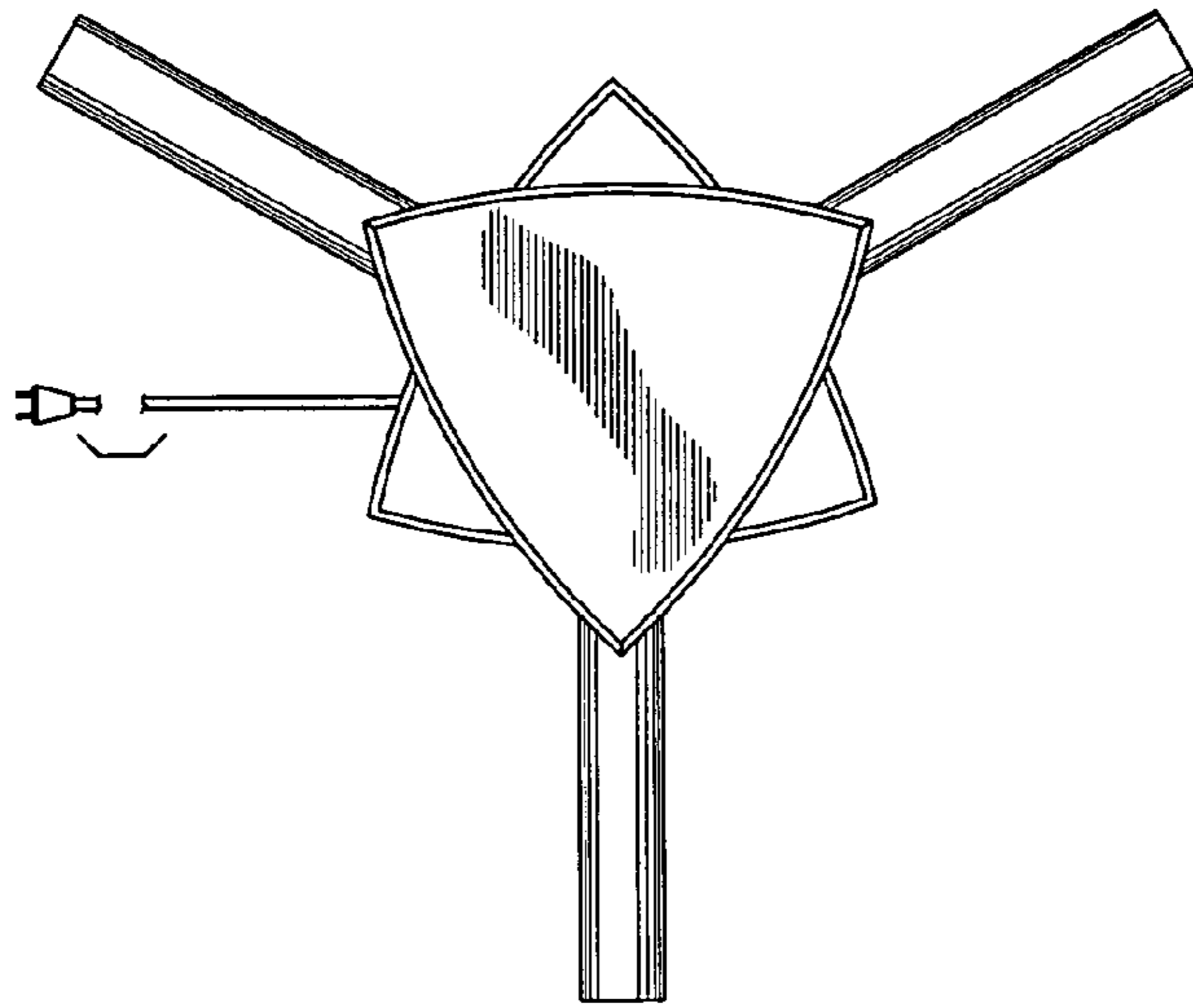


FIG. 6

