



US00D589551S

(12) **United States Design Patent**
Han

(10) **Patent No.:** **US D589,551 S**
(45) **Date of Patent:** **** Mar. 31, 2009**

(54) **FLAT TONER CARTRIDGE**

(75) Inventor: **Chin-Lung Han**, Hsinchu (TW)
(73) Assignee: **Aetas Technology Incorporated**, Irvine, CA (US)
(**) Term: **14 Years**
(21) Appl. No.: **29/303,223**
(22) Filed: **Feb. 4, 2008**

(51) **LOC (9) Cl.** **16-03**
(52) **U.S. Cl.** **D18/43**
(58) **Field of Classification Search** D14/462,
D14/471, 474, 475; D18/12, 36, 40, 43,
D18/44, 56; 222/DIG. 1; 347/49, 197, 214,
347/222; 399/24-27, 107-112, 119, 121,
399/122, 222-224

See application file for complete search history.

(56) **References Cited**

U.S. PATENT DOCUMENTS

D445,822 S * 7/2001 Tosa et al. D18/40
2005/0002682 A1 * 1/2005 Lyu et al. 399/107
2006/0083545 A1 * 4/2006 Okabe et al. 399/111
2008/0138108 A1 * 6/2008 Okabe et al. 399/111
2008/0145094 A1 * 6/2008 Nakamura et al. 399/109

FOREIGN PATENT DOCUMENTS

JP D1232090 3/2005

* cited by examiner

Primary Examiner—Caron Veynar
Assistant Examiner—Garth Rademaker
(74) *Attorney, Agent, or Firm*—Winston Hsu

(57) **CLAIM**

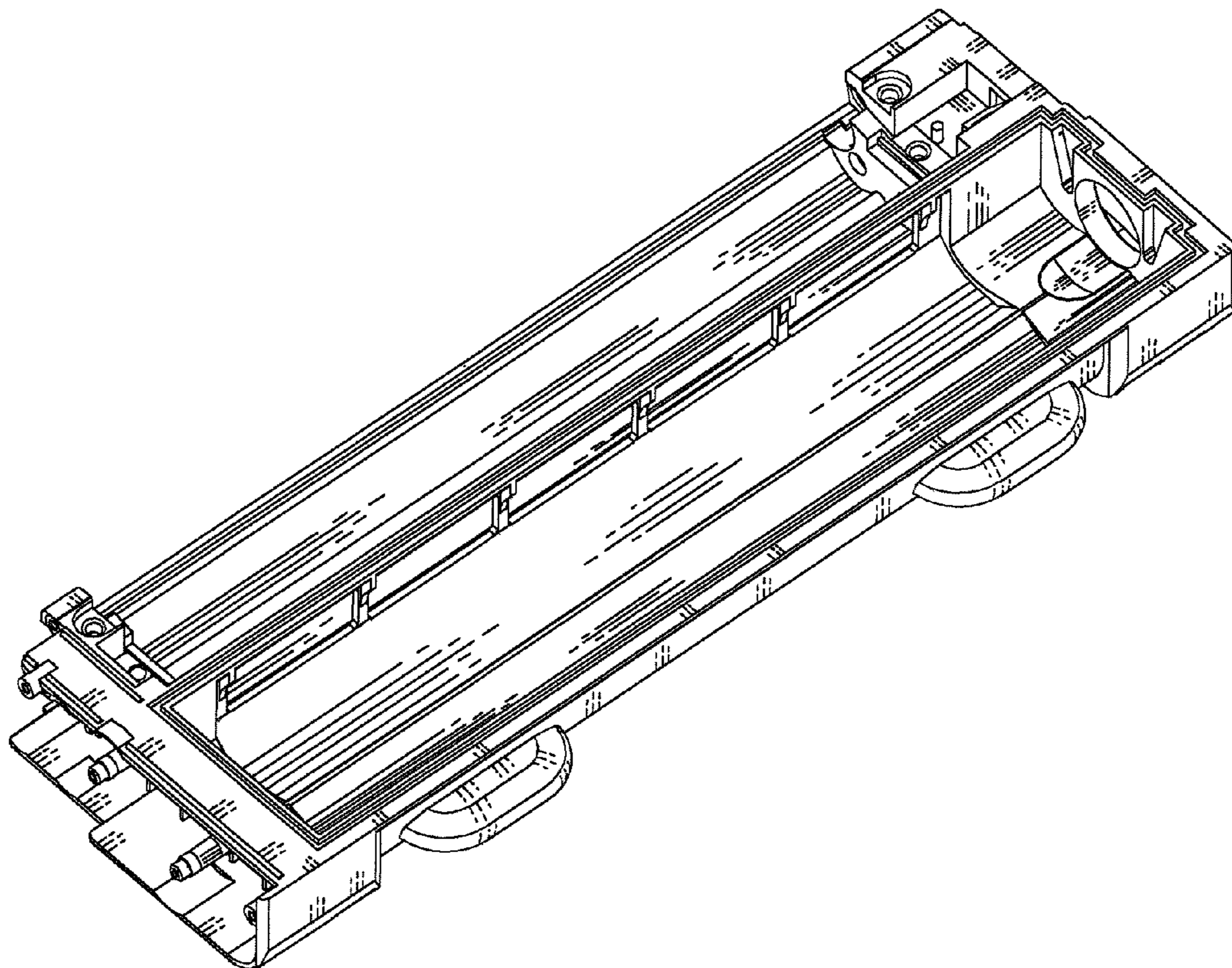
The ornamental design for a flat toner cartridge, as shown and described.

DESCRIPTION

FIG. 1 is a front view of a flat toner cartridge in accordance with the new design;
FIG. 2 is a rear view thereof;
FIG. 3 is a left view thereof;
FIG. 4 is a right view thereof;
FIG. 5 is a top plan view thereof;
FIG. 6 is a bottom plan view thereof;
FIG. 7 is a perspective view thereof; and,
FIG. 8 is a cross-section view thereof, taken along line 8—8 of FIG. 4.

The broken lines depict environmental subject matter only and form no part of the claimed design.

1 Claim, 6 Drawing Sheets



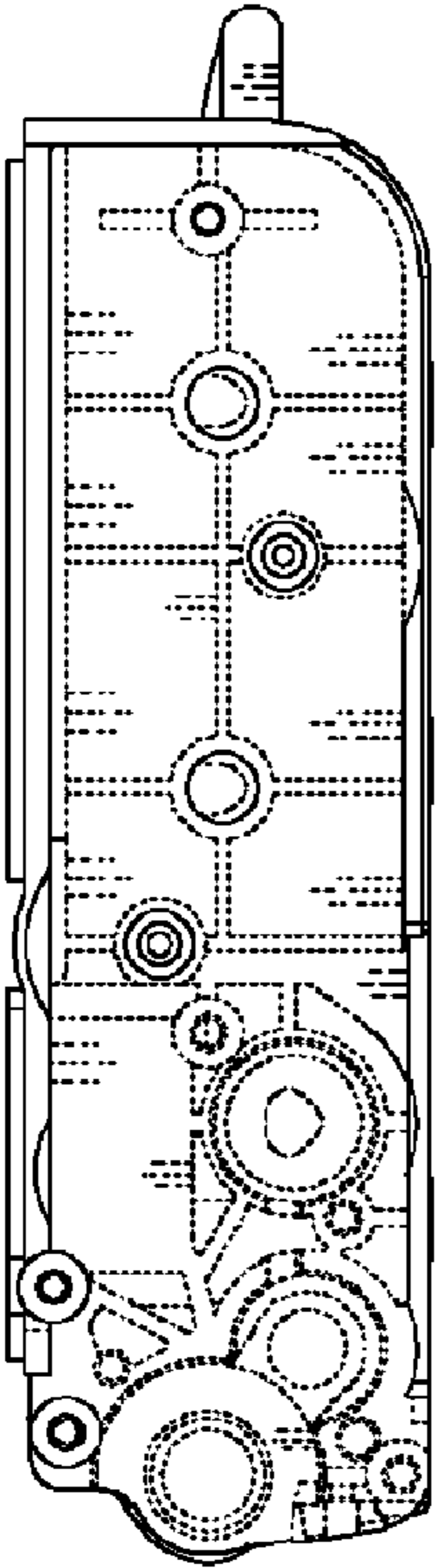


FIG. 1

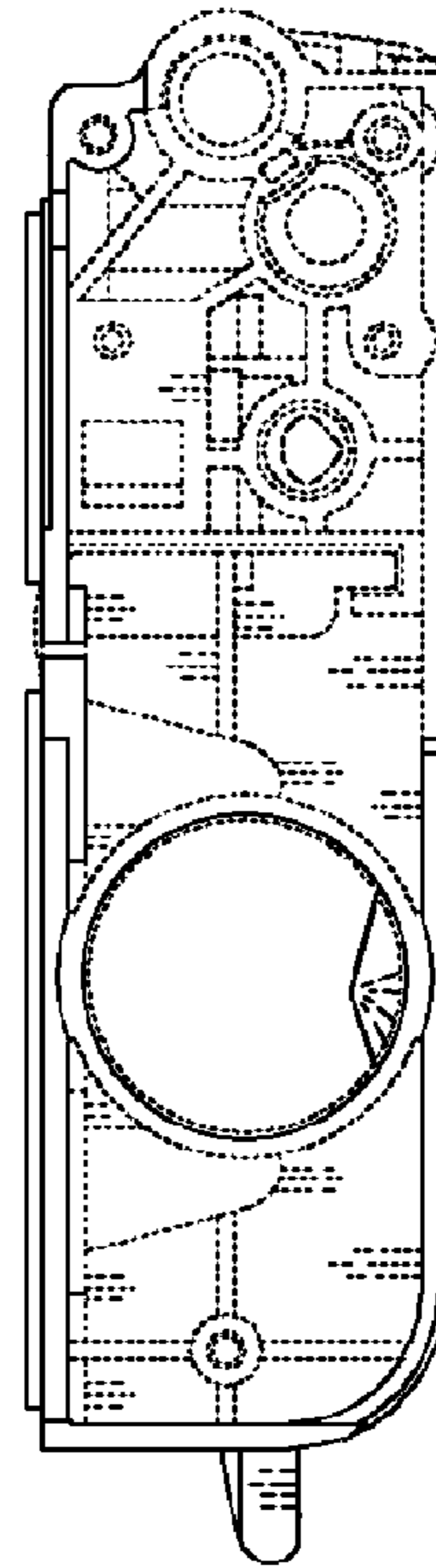


FIG. 2

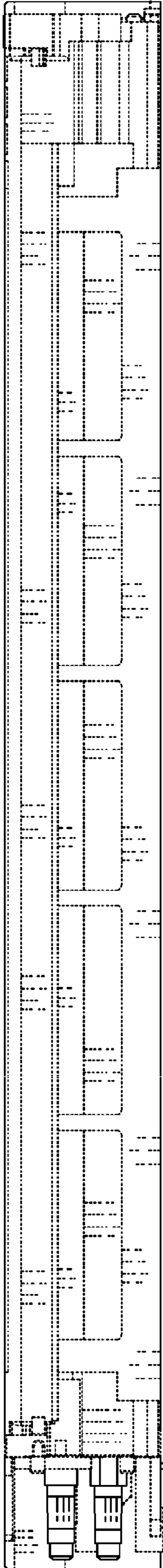


FIG. 3



FIG. 4

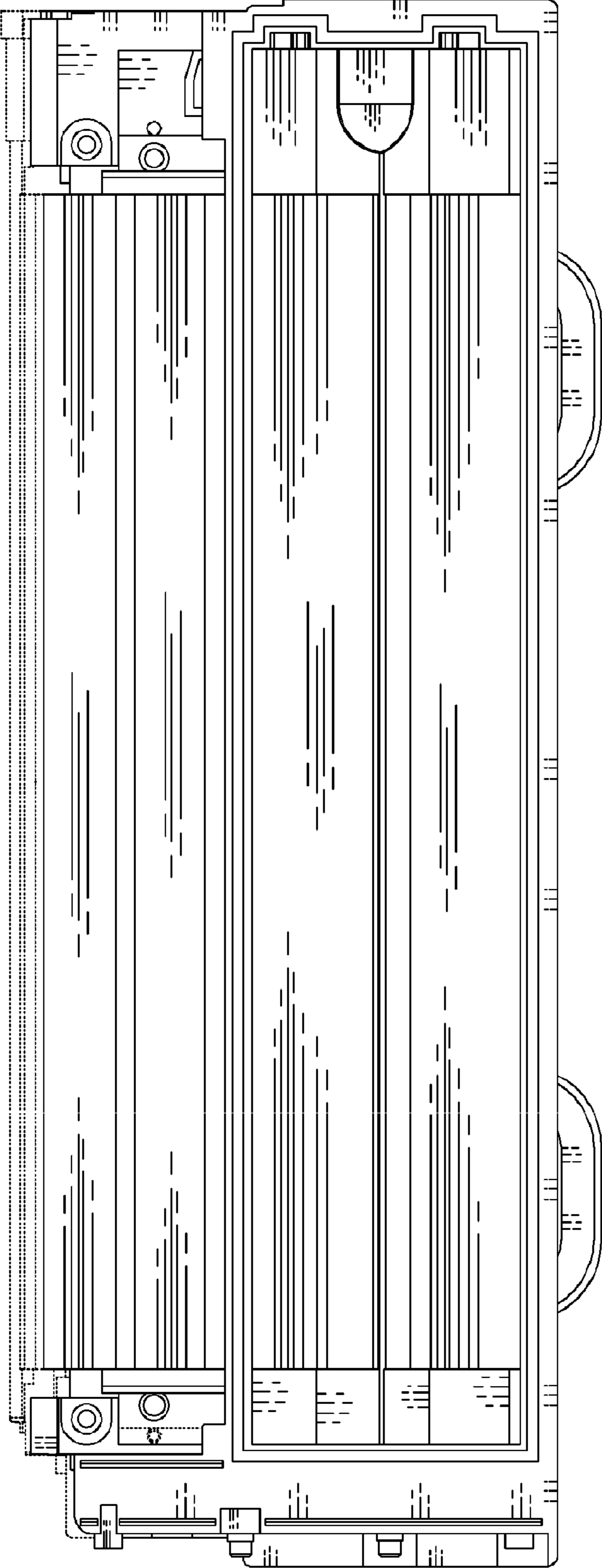


FIG. 5

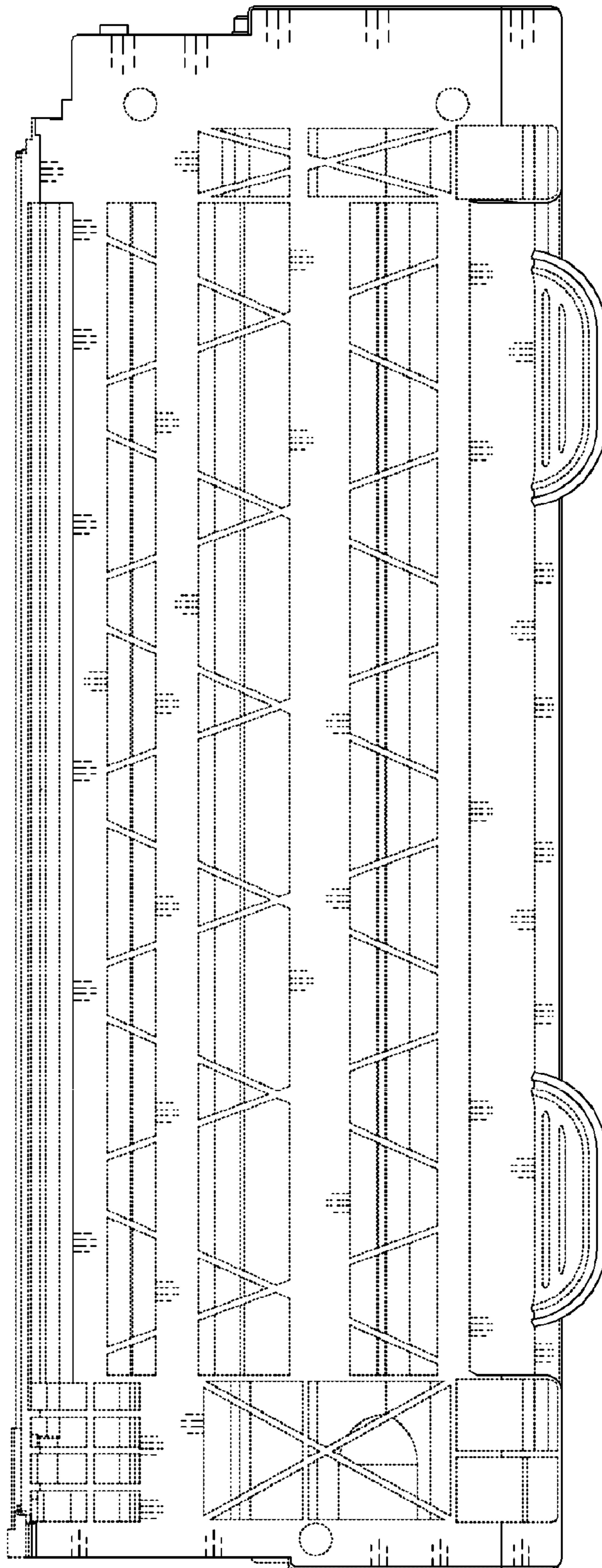


FIG. 6

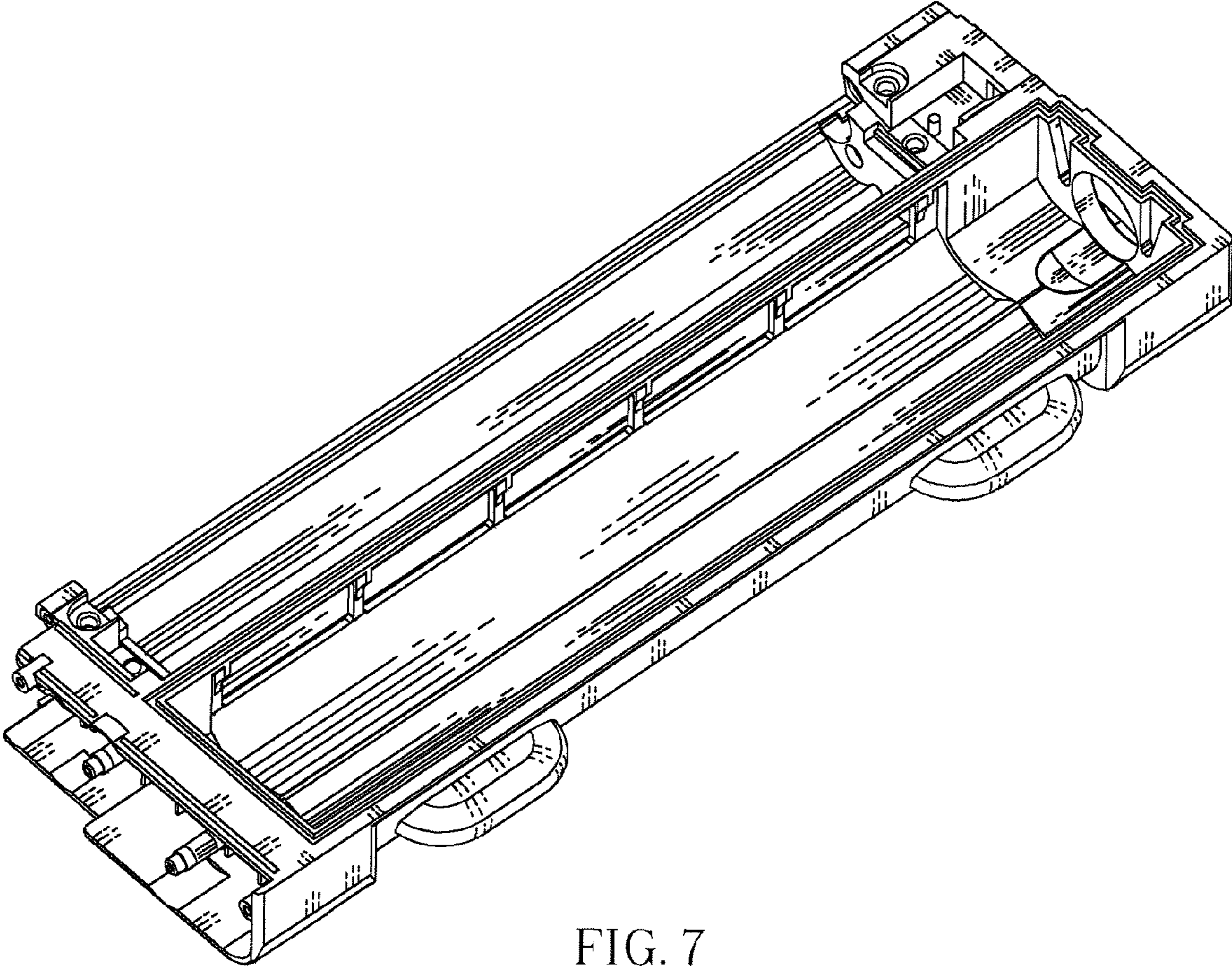


FIG. 7

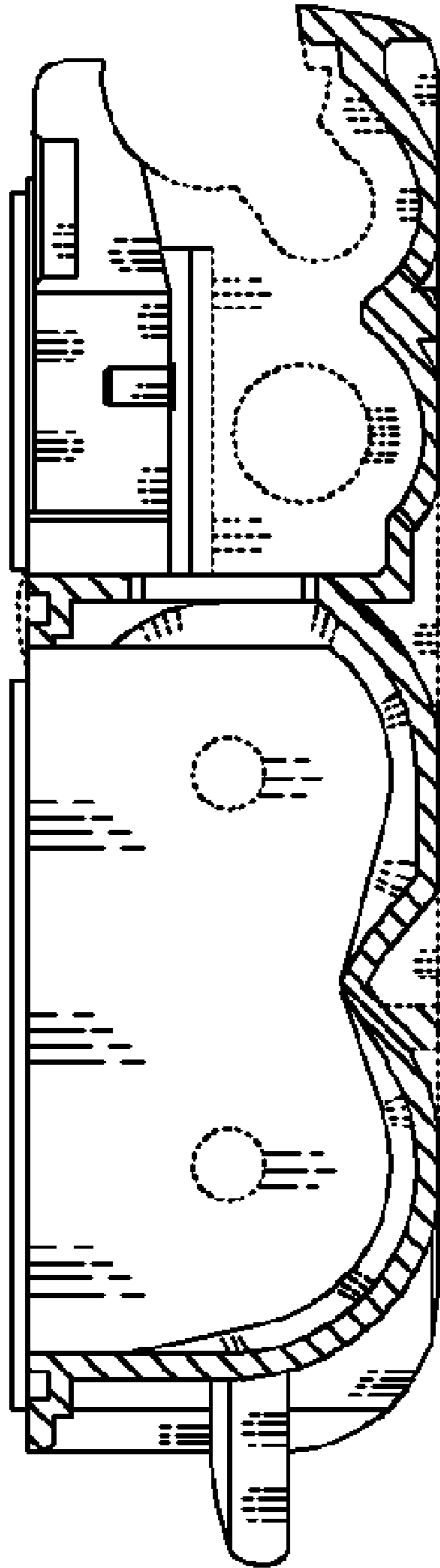


FIG. 8