



US00D589548S

(12) **United States Design Patent**
Yamada et al.

(10) **Patent No.:** **US D589,548 S**
(45) **Date of Patent:** **** Mar. 31, 2009**

(54) **VIDEO CAMERA WITH RECORDER AND
PLAYER**

(75) Inventors: **Kunio Yamada**, Osaka (JP); **Yasuki
Mori**, Osaka (JP)

(73) Assignee: **Panasonic Corporation**, Osaka (JP)

(**) Term: **14 Years**

(21) Appl. No.: **29/317,264**

(22) Filed: **Apr. 25, 2008**

(30) **Foreign Application Priority Data**

Oct. 29, 2007 (JP) 2007-029720

(51) **LOC (9) Cl.** **16-05**

(52) **U.S. Cl.** **D16/219**

(58) **Field of Classification Search** D16/200–205,
D16/208, 218, 219; 348/373–376; 358/906;
396/535–541

See application file for complete search history.

(56) **References Cited**

U.S. PATENT DOCUMENTS

D317,457 S *	6/1991	Ooi et al.	D16/202
6,434,325 B1 *	8/2002	Noda et al.	358/906
D547,349 S *	7/2007	Sakaguchi et al.	D16/219
D565,624 S *	4/2008	Inaba	D16/219
2007/0139533 A1 *	6/2007	Ohashi	358/906
2008/0012983 A1 *	1/2008	Oshima	348/375

FOREIGN PATENT DOCUMENTS

JP D1173277 5/2003

JP	D1192956	12/2003
JP	D1192957	12/2003
JP	D1192958	12/2003
JP	D1192959	12/2003
JP	D1203818	4/2004

OTHER PUBLICATIONS

Sony Electronics Inc., “HVR-HD 1000U—Digital High Definition HDV Camcorder”, Sony, 2007, 6 pages.

* cited by examiner

Primary Examiner—Adir Aronovich

(74) *Attorney, Agent, or Firm*—Brinks Hofer Gilson & Lione

(57) **CLAIM**

We claim the ornamental design for a video camera with recorder and player, as shown and described.

DESCRIPTION

FIG. 1 is a front perspective view of a video camera with recorder and player of the present invention;

FIG. 2 is a rear perspective view thereof;

FIG. 3 is a front elevational view thereof;

FIG. 4 is a rear elevational view thereof;

FIG. 5 is a left side elevational view thereof;

FIG. 6 is a right side elevational view thereof;

FIG. 7 is a top plan view thereof; and,

FIG. 8 is a bottom plan view thereof.

The broken line showing of video camera with recorder and player is included for the purpose of illustrating environment and forms no part of the claimed design.

1 Claim, 8 Drawing Sheets

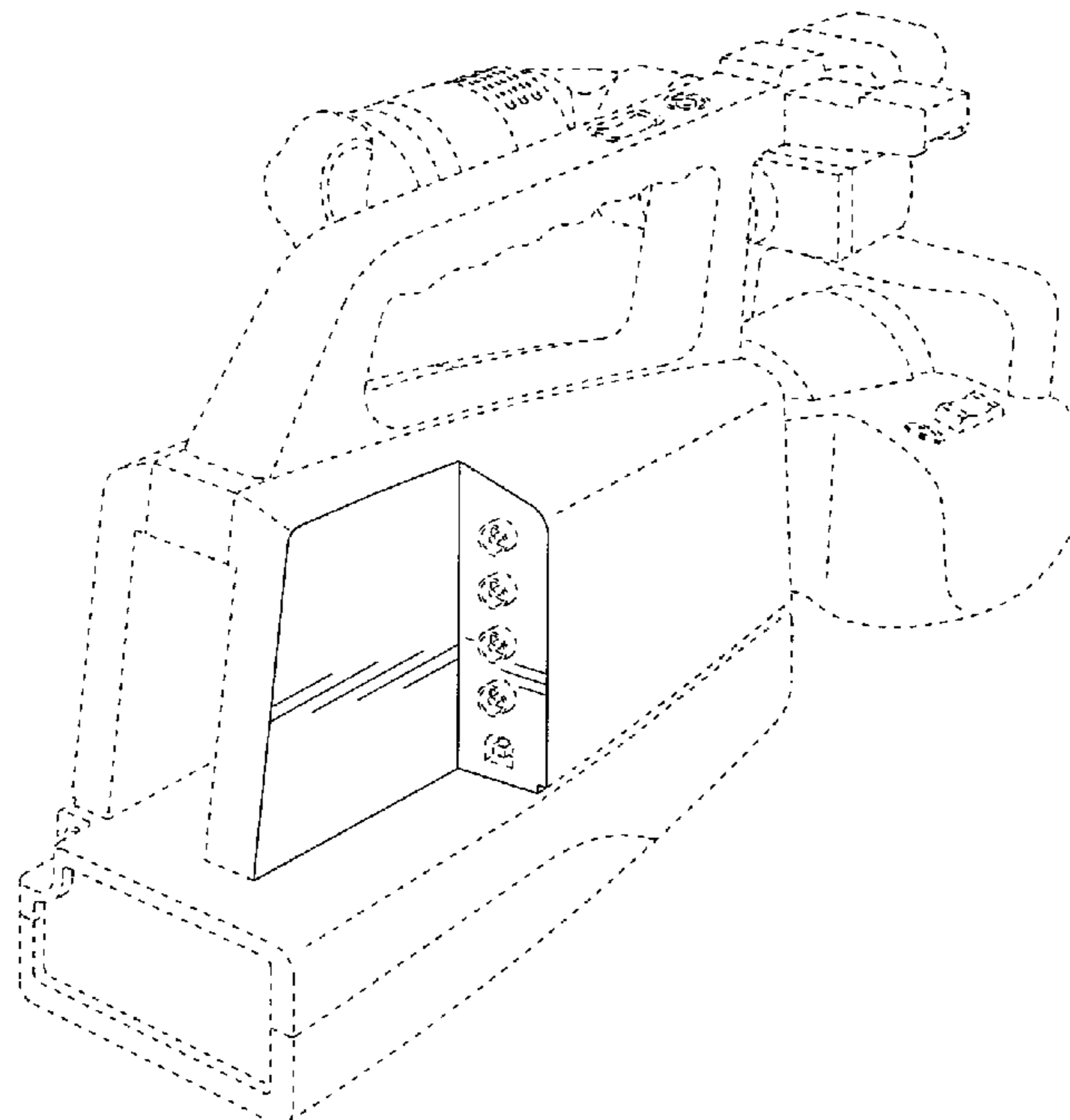


FIG.1

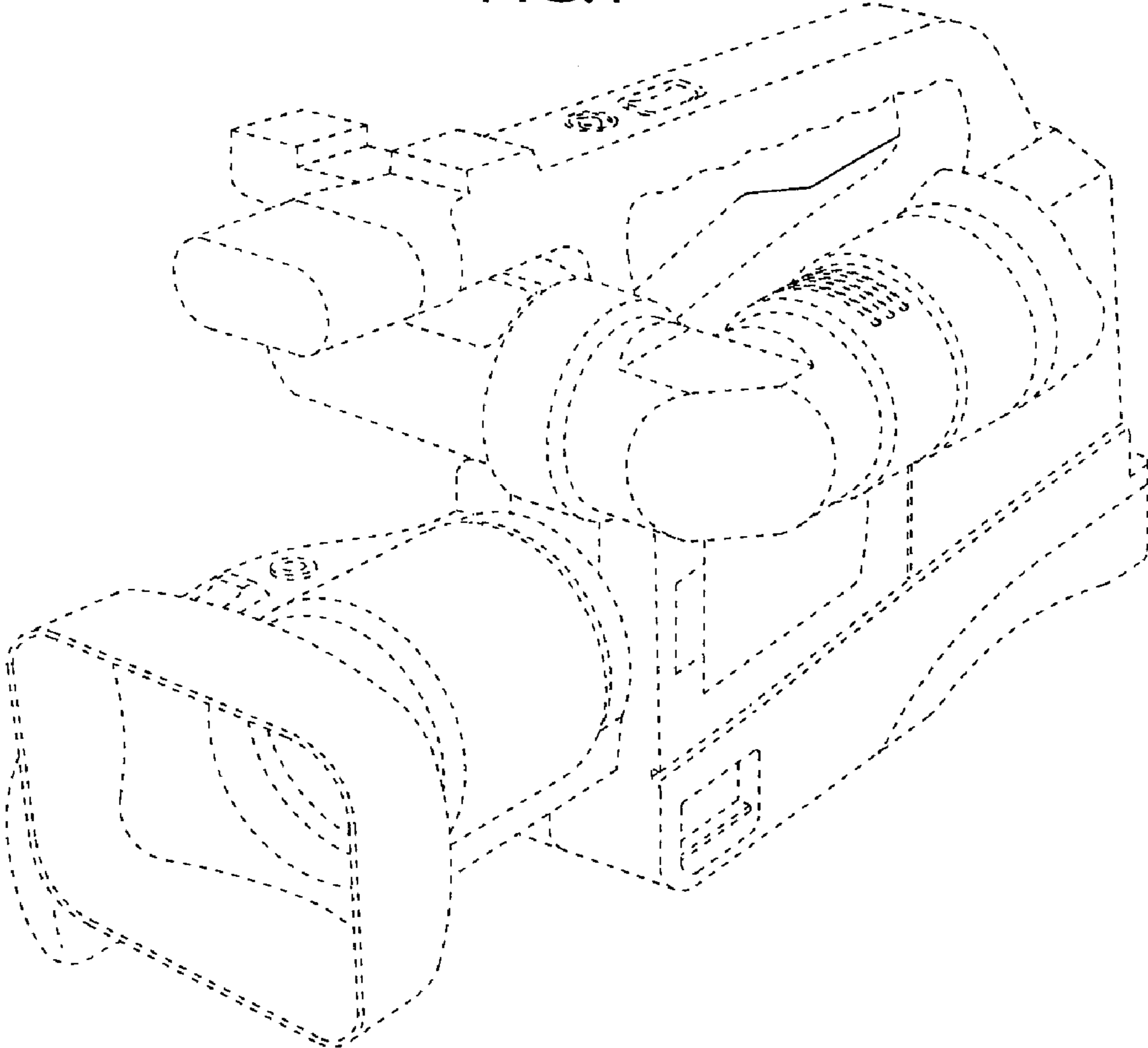


FIG.2

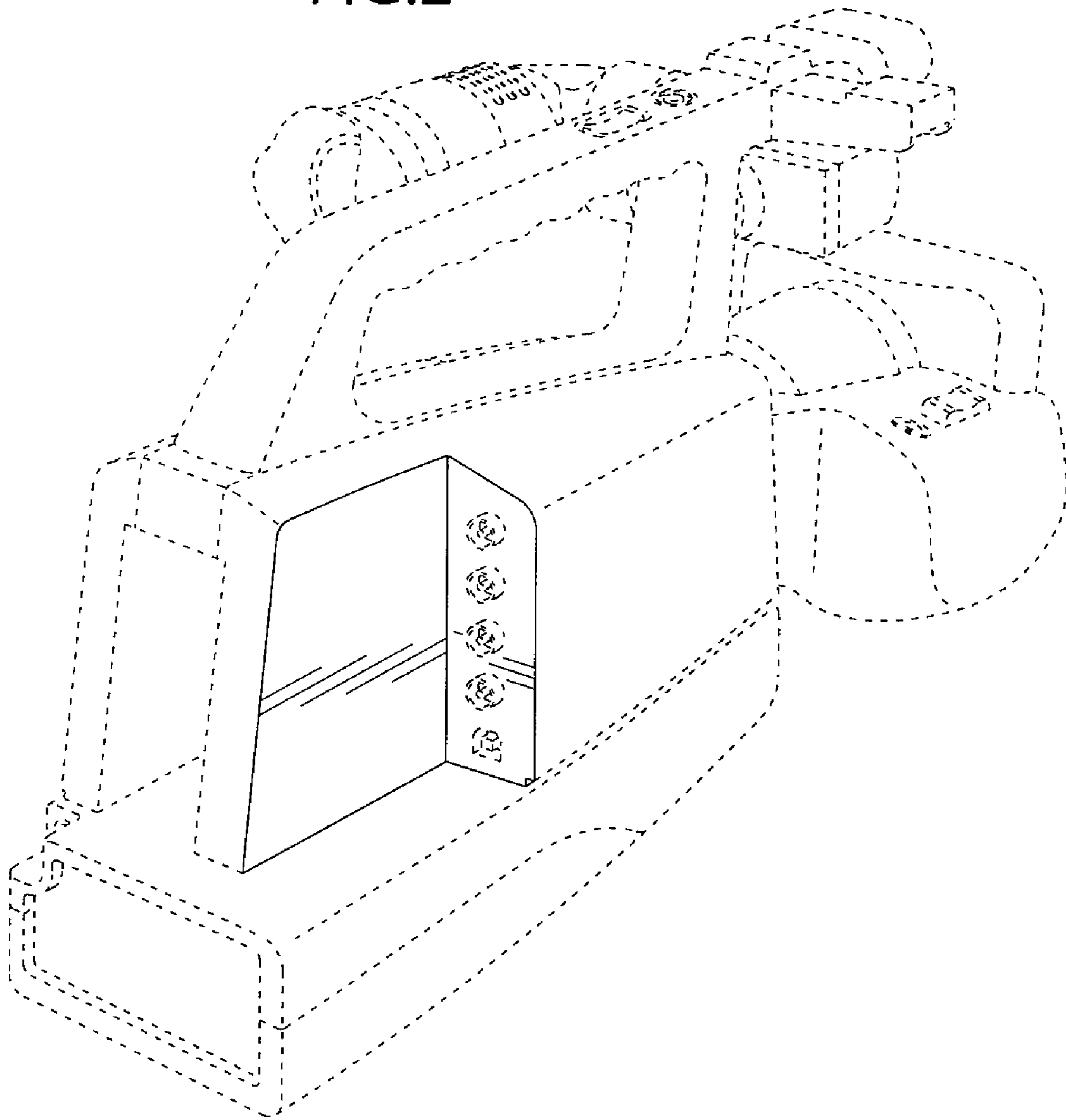


FIG.3

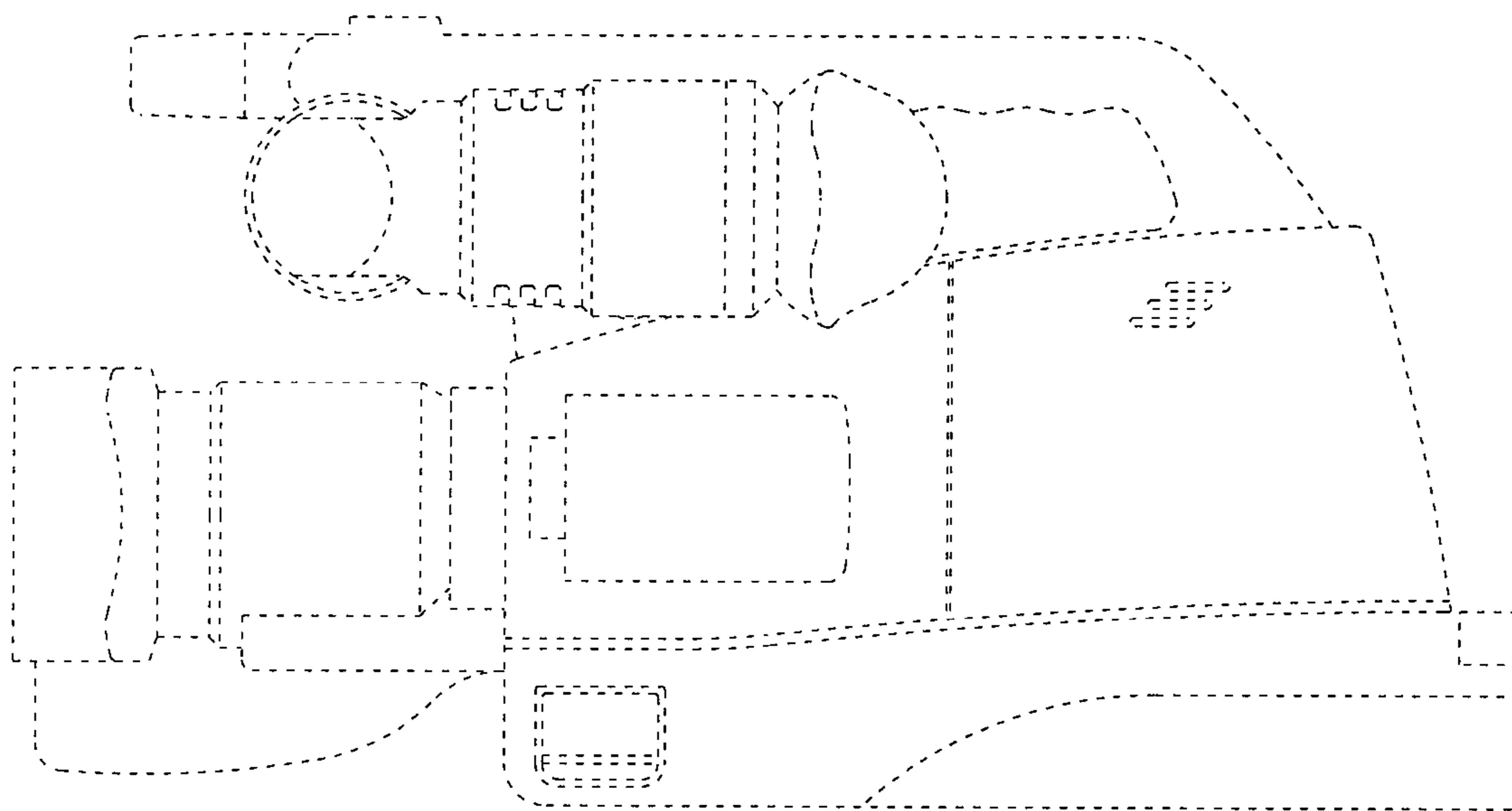


FIG.4

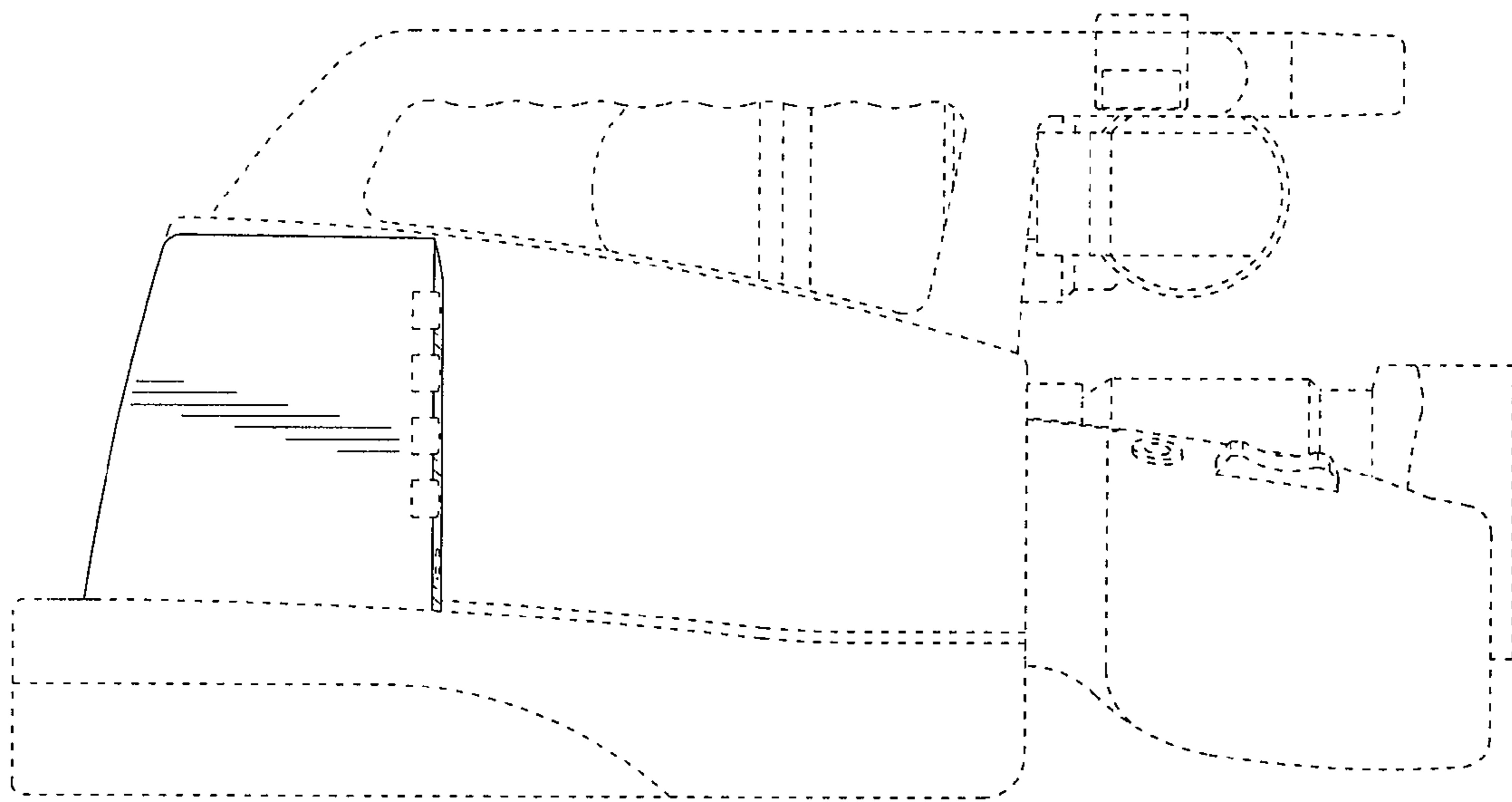


FIG.5

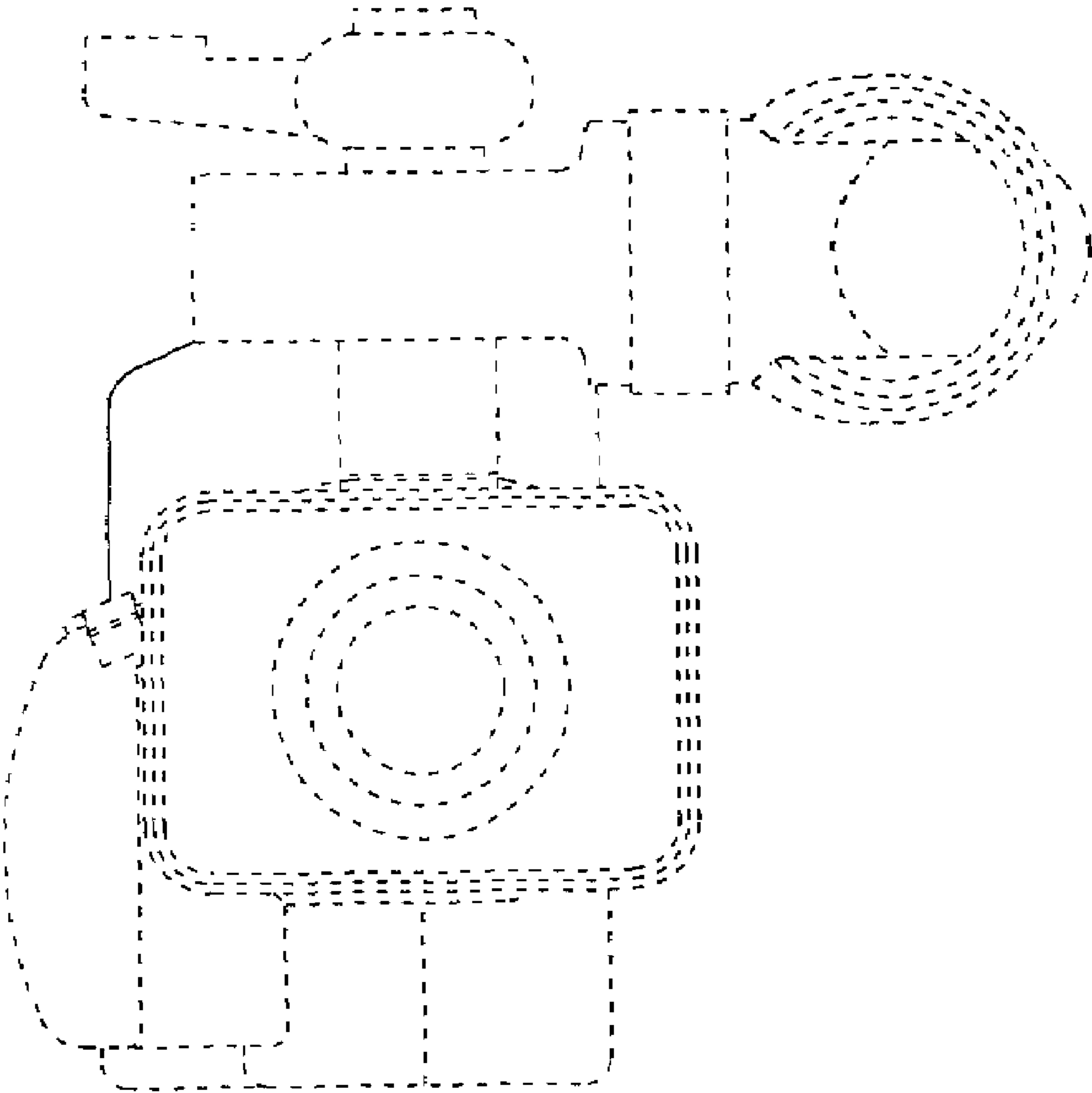


FIG.6

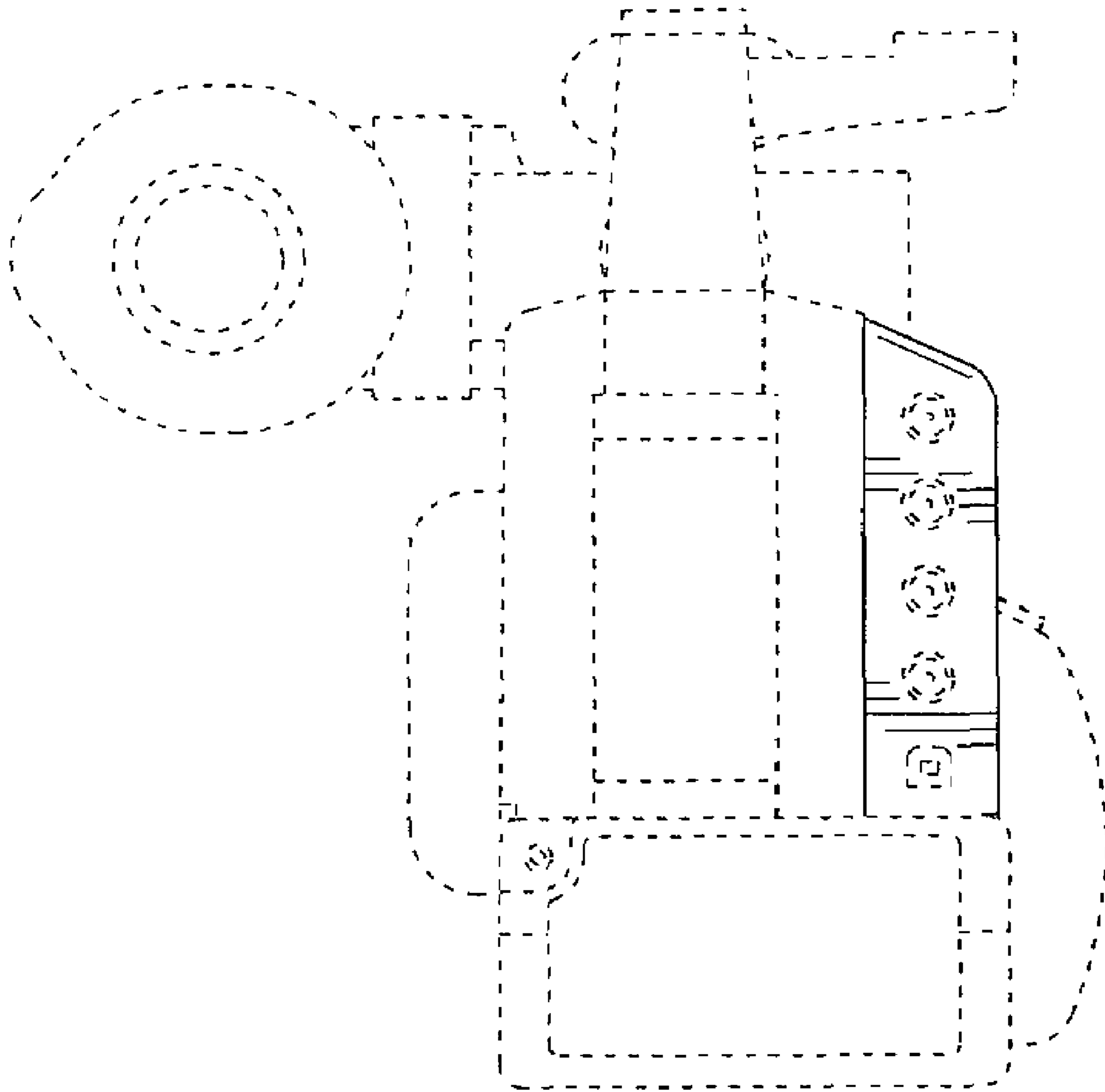


FIG.7

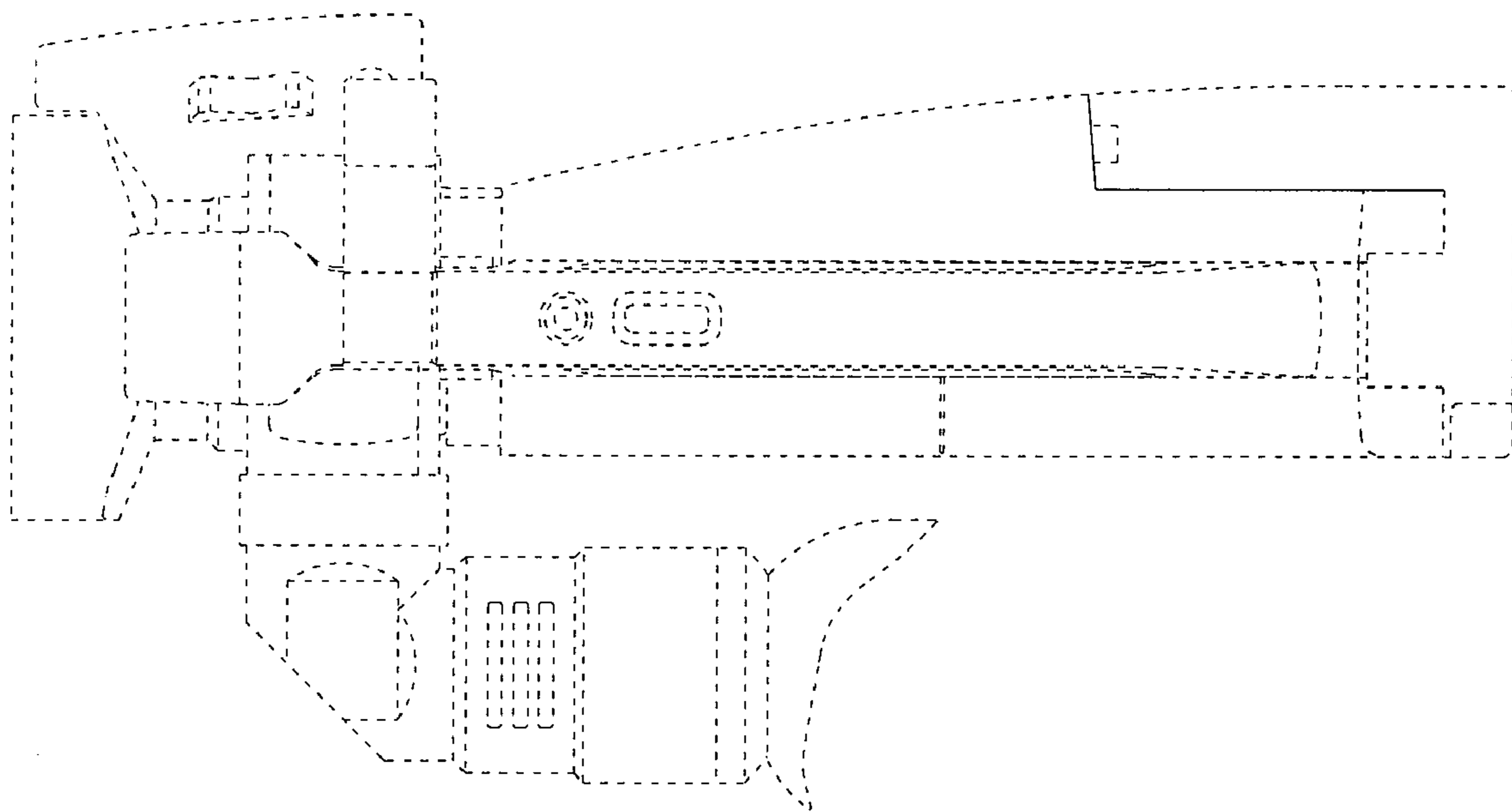


FIG.8

