



US00D589547S

(12) **United States Design Patent**
Yamada et al.

(10) **Patent No.:** **US D589,547 S**
(45) **Date of Patent:** **** Mar. 31, 2009**

(54) **VIDEO CAMERA WITH RECORDER AND PLAYER**

(75) Inventors: **Kunio Yamada**, Osaka (JP); **Yasuki Mori**, Osaka (JP)

(73) Assignee: **Panasonic Corporation**, Osaka (JP)

(**) Term: **14 Years**

(21) Appl. No.: **29/317,269**

(22) Filed: **Apr. 25, 2008**

(30) **Foreign Application Priority Data**

Oct. 29, 2007 (JP) 2007-029719

(51) **LOC (9) Cl.** **16-01**

(52) **U.S. Cl.** **D16/202**

(58) **Field of Classification Search** D16/200–205, D16/208, 218; 348/373–376; 358/906; 396/535–541
See application file for complete search history.

(56) **References Cited**

U.S. PATENT DOCUMENTS

4,623,931	A *	11/1986	Inaga et al.	348/374
D289,157	S *	4/1987	Inai et al.	D16/202
D289,893	S *	5/1987	Takemoto et al.	D16/202
D317,457	S *	6/1991	Ooi et al.	D16/202
5,767,906	A *	6/1998	Toyofuku et al.	348/375
D404,748	S *	1/1999	Miyashita	D16/202
D438,552	S *	3/2001	Sumita	D16/202
6,434,325	B1 *	8/2002	Noda et al.	358/906

FOREIGN PATENT DOCUMENTS

JP D1173277 5/2003

JP	D1192956	12/2003
JP	D1192957	12/2003
JP	D1192958	12/2003
JP	D1192959	12/2003
JP	D1203818	4/2004

OTHER PUBLICATIONS

Sony Electronics Inc., “HVR-HD 1000U—Digital High Definition HDV Camcorder”, Sony, 2007, 6 pages.

* cited by examiner

Primary Examiner—Adir Aronovich

(74) *Attorney, Agent, or Firm*—Brinks Hofer Gilson & Lione

(57) **CLAIM**

We claim the ornamental design for a video camera with recorder and player, as shown and described.

DESCRIPTION

FIG. 1 is a front perspective view of a video camera with recorder and player of the present invention;

FIG. 2 is a rear perspective view thereof;

FIG. 3 is a front elevational view thereof,

FIG. 4 is a rear elevational view thereof;

FIG. 5 is a left side elevational view thereof;

FIG. 6 is a right side elevational view thereof;

FIG. 7 is a top plan view thereof; and,

FIG. 8 is a bottom plan view thereof.

1 Claim, 8 Drawing Sheets

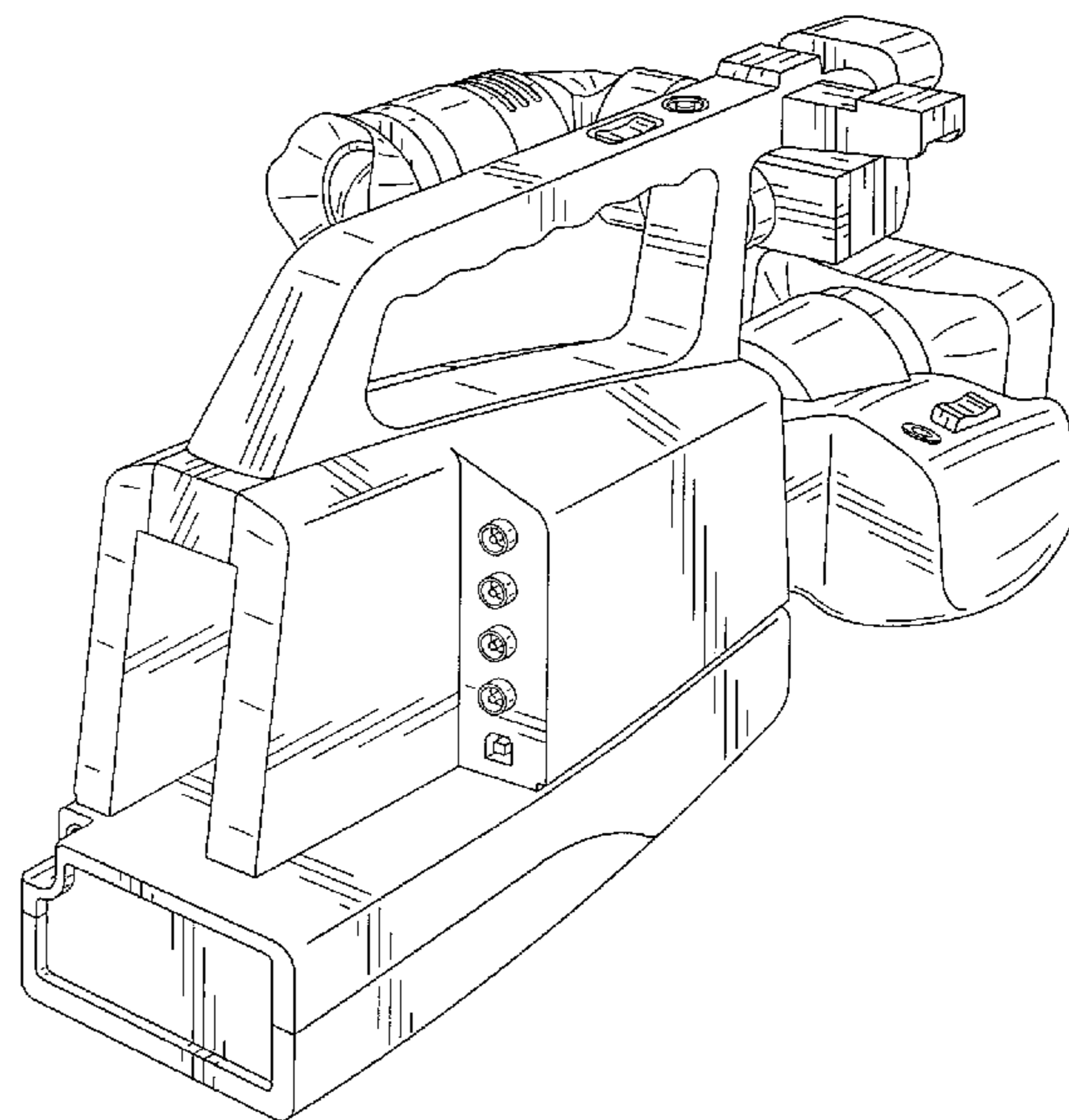
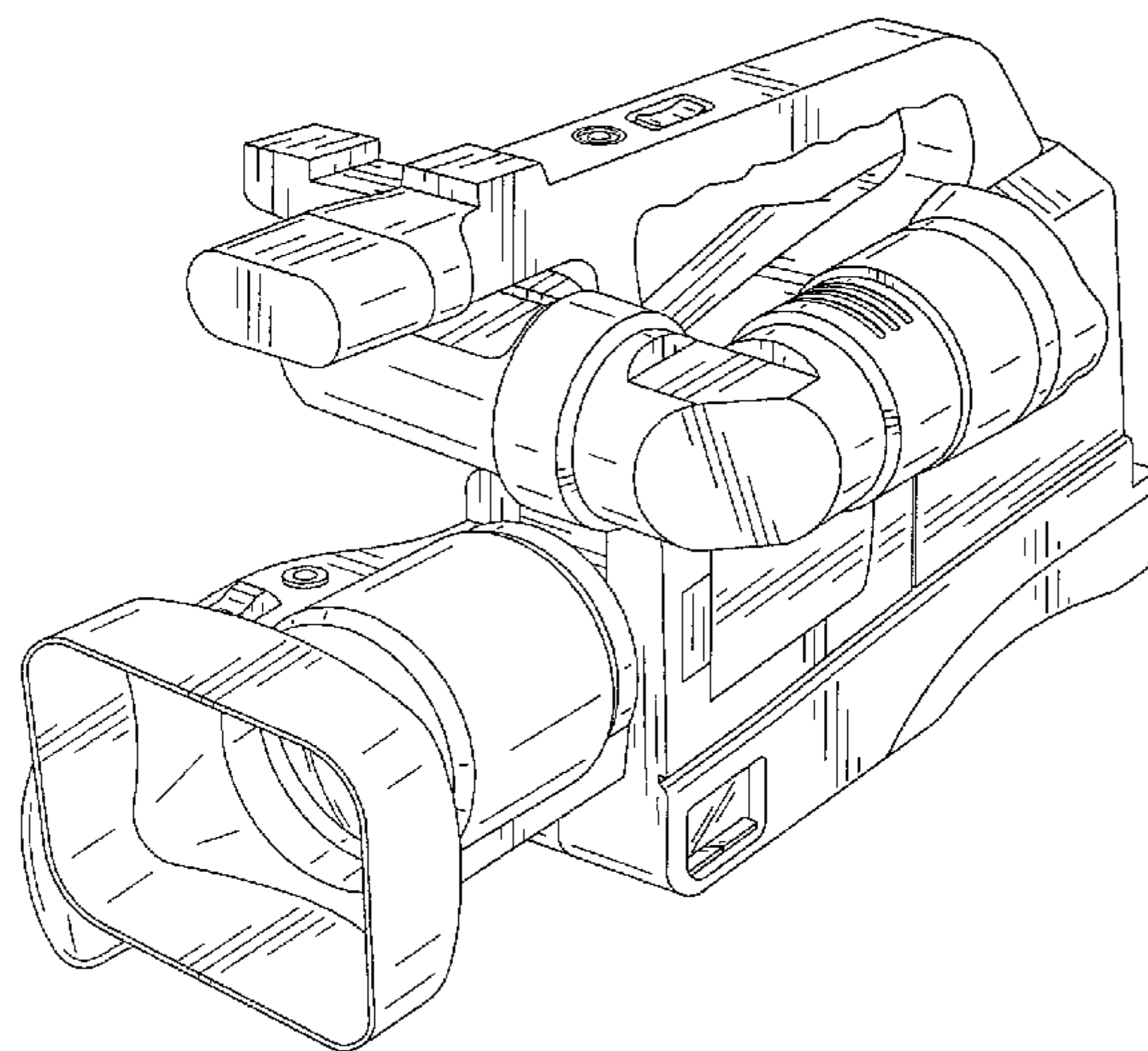


FIG. 1

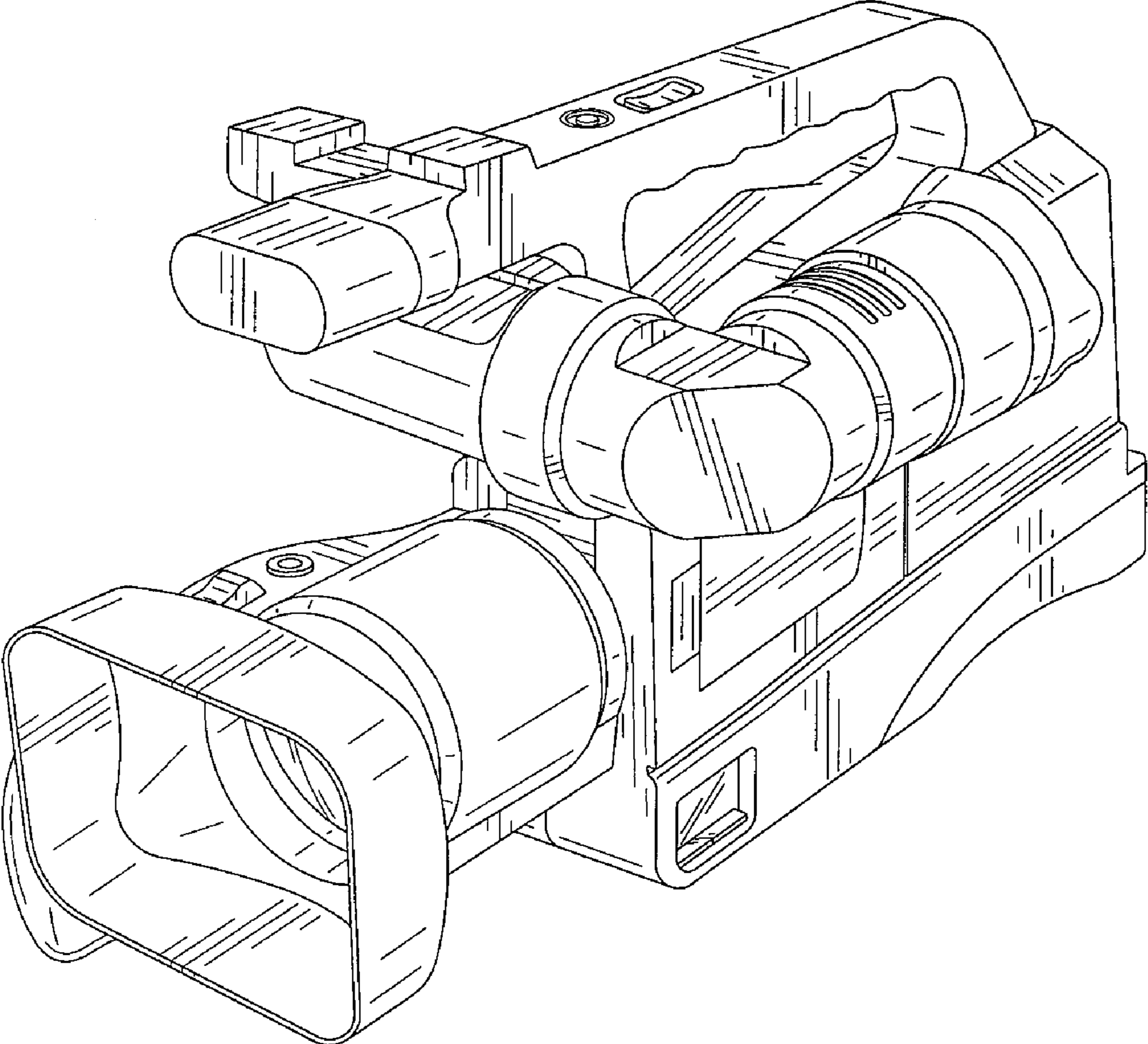


FIG.2

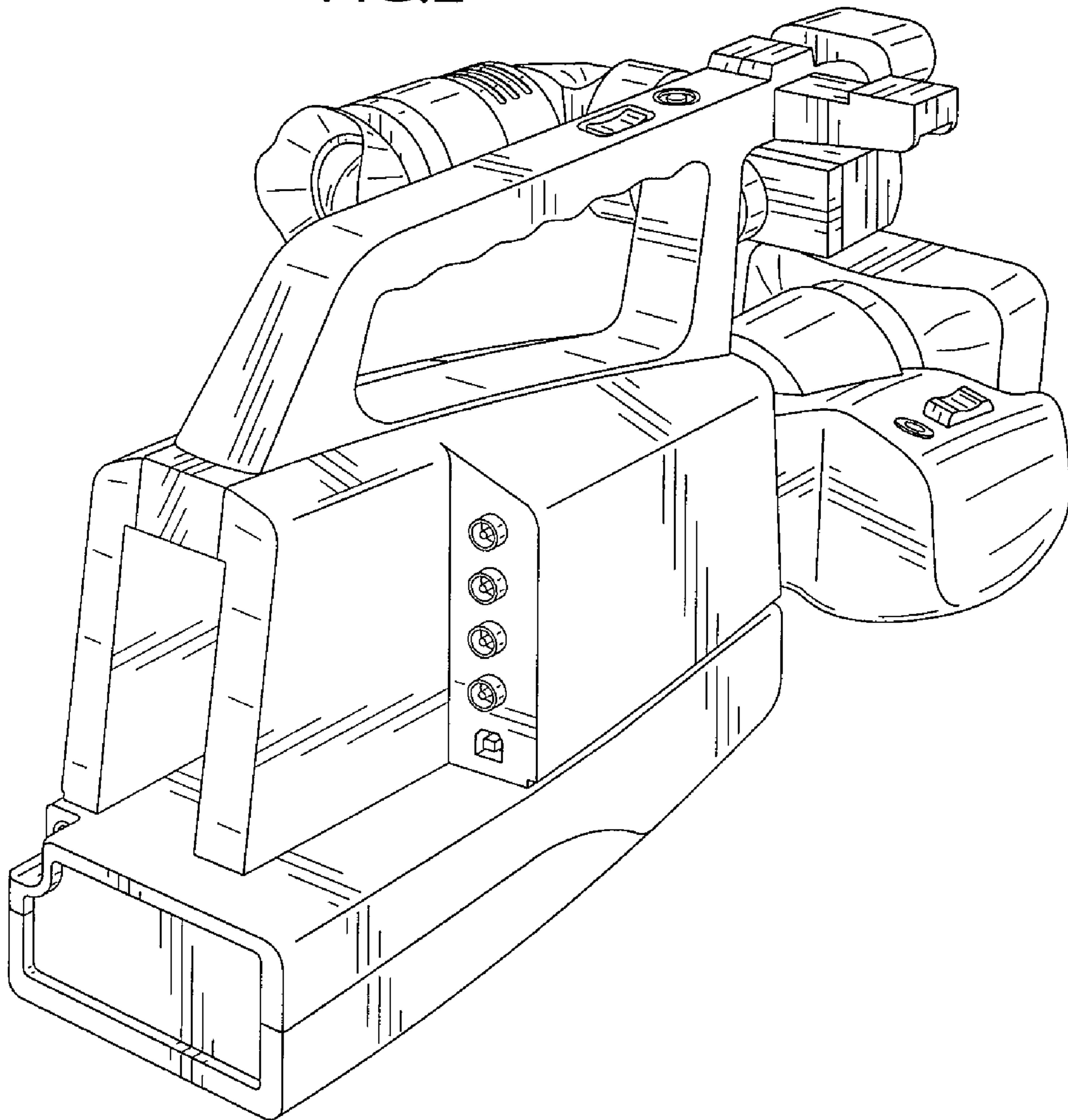


FIG.3

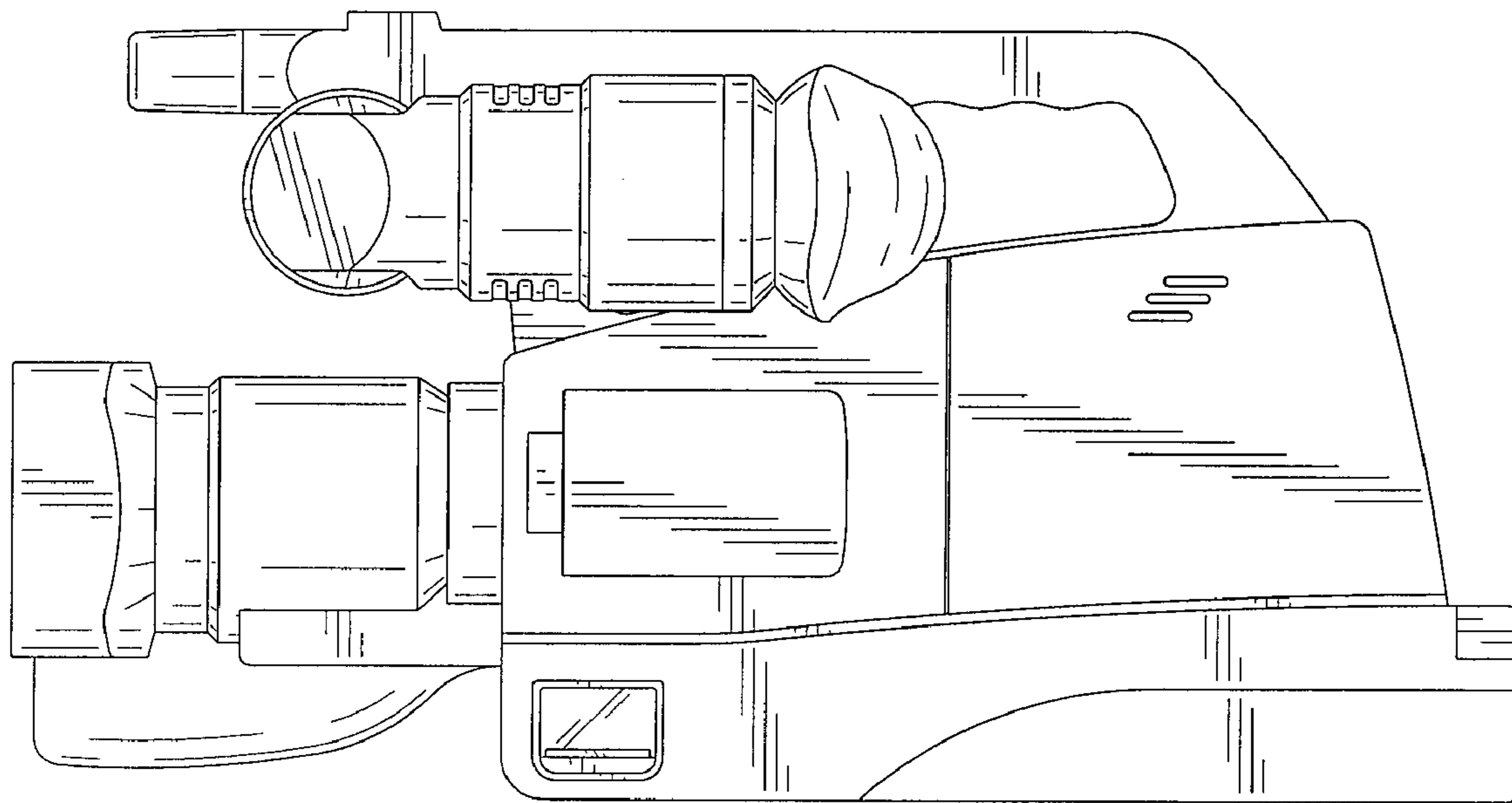


FIG.4

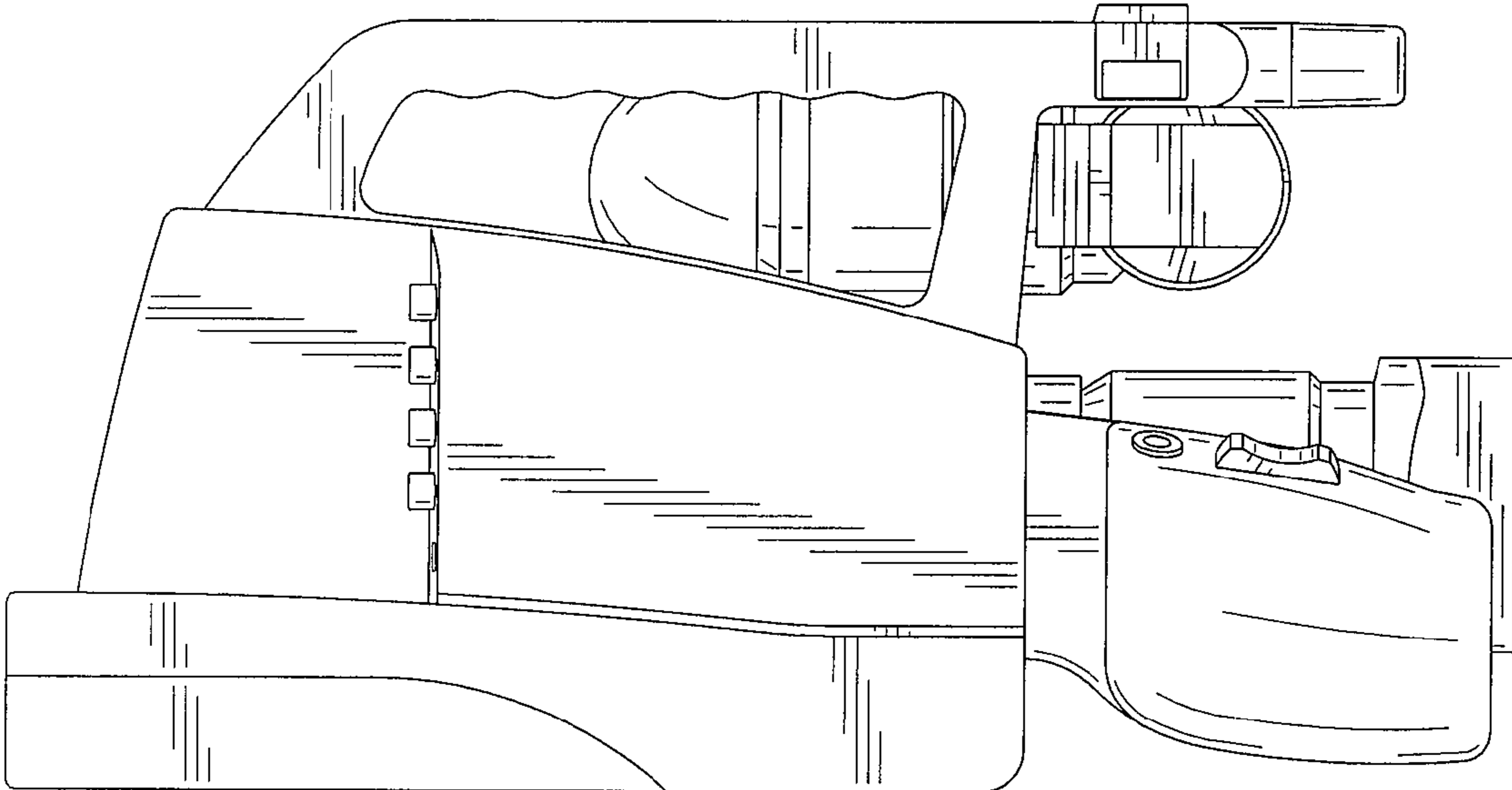


FIG.5

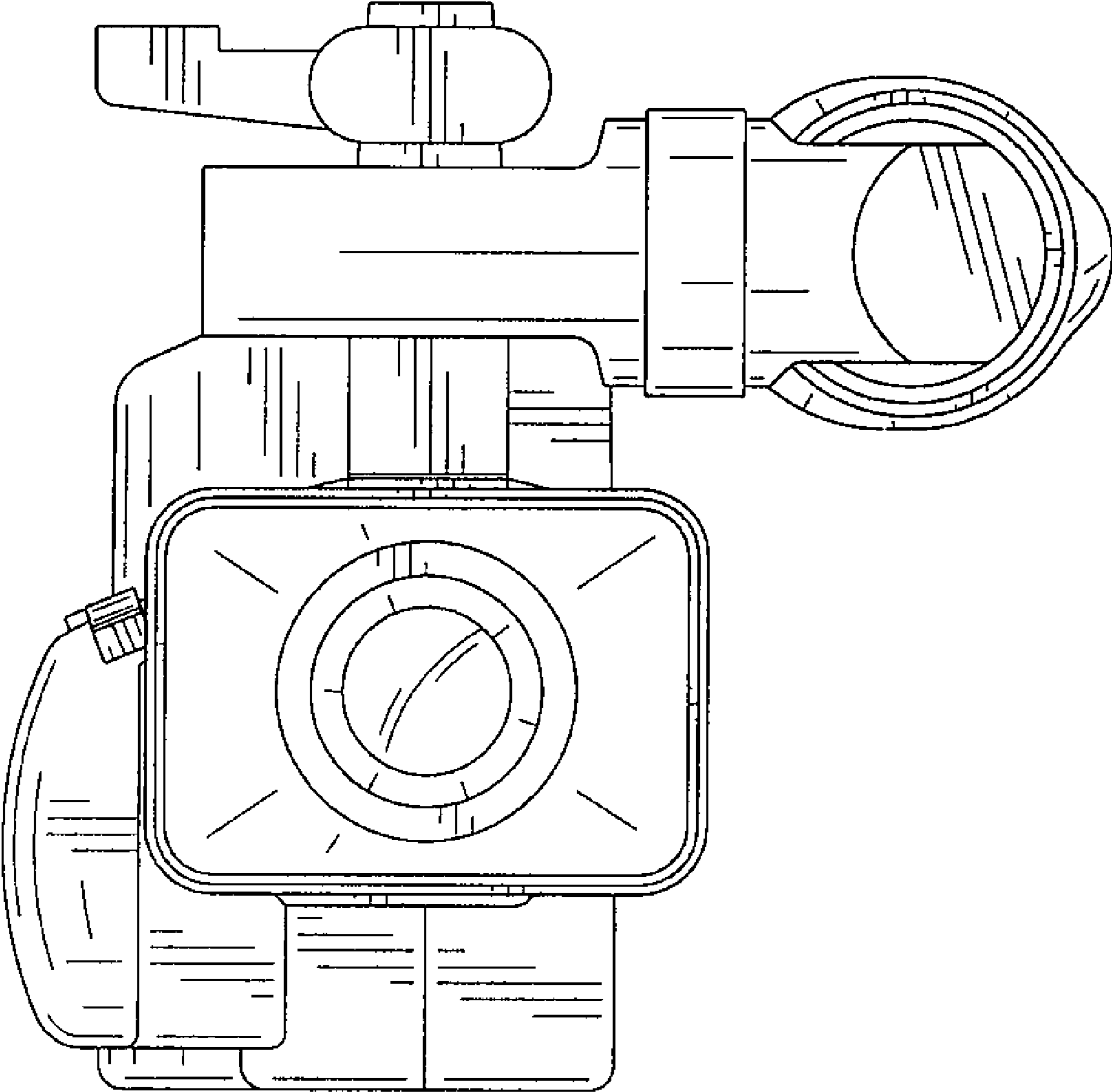


FIG.6

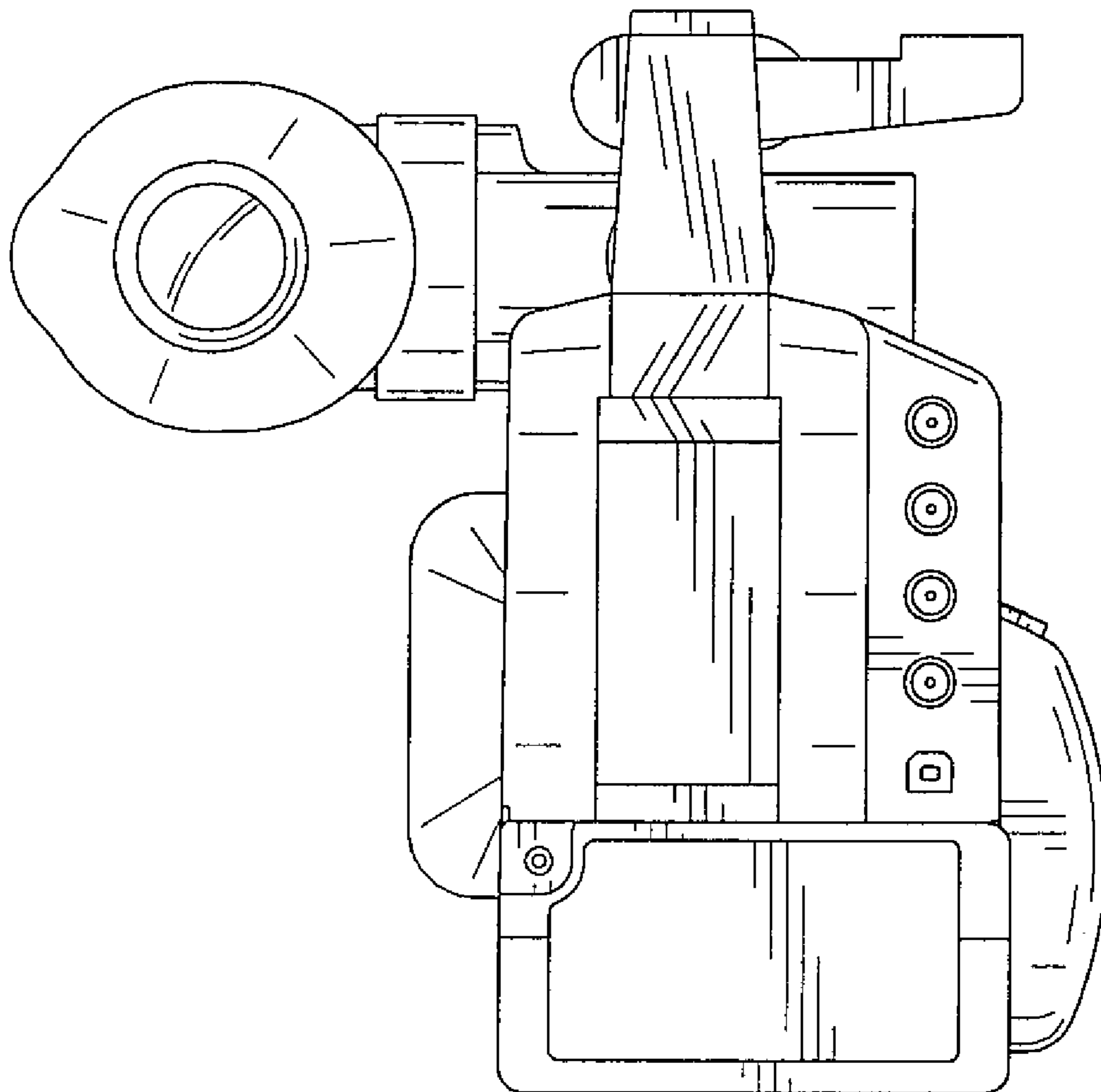


FIG.7

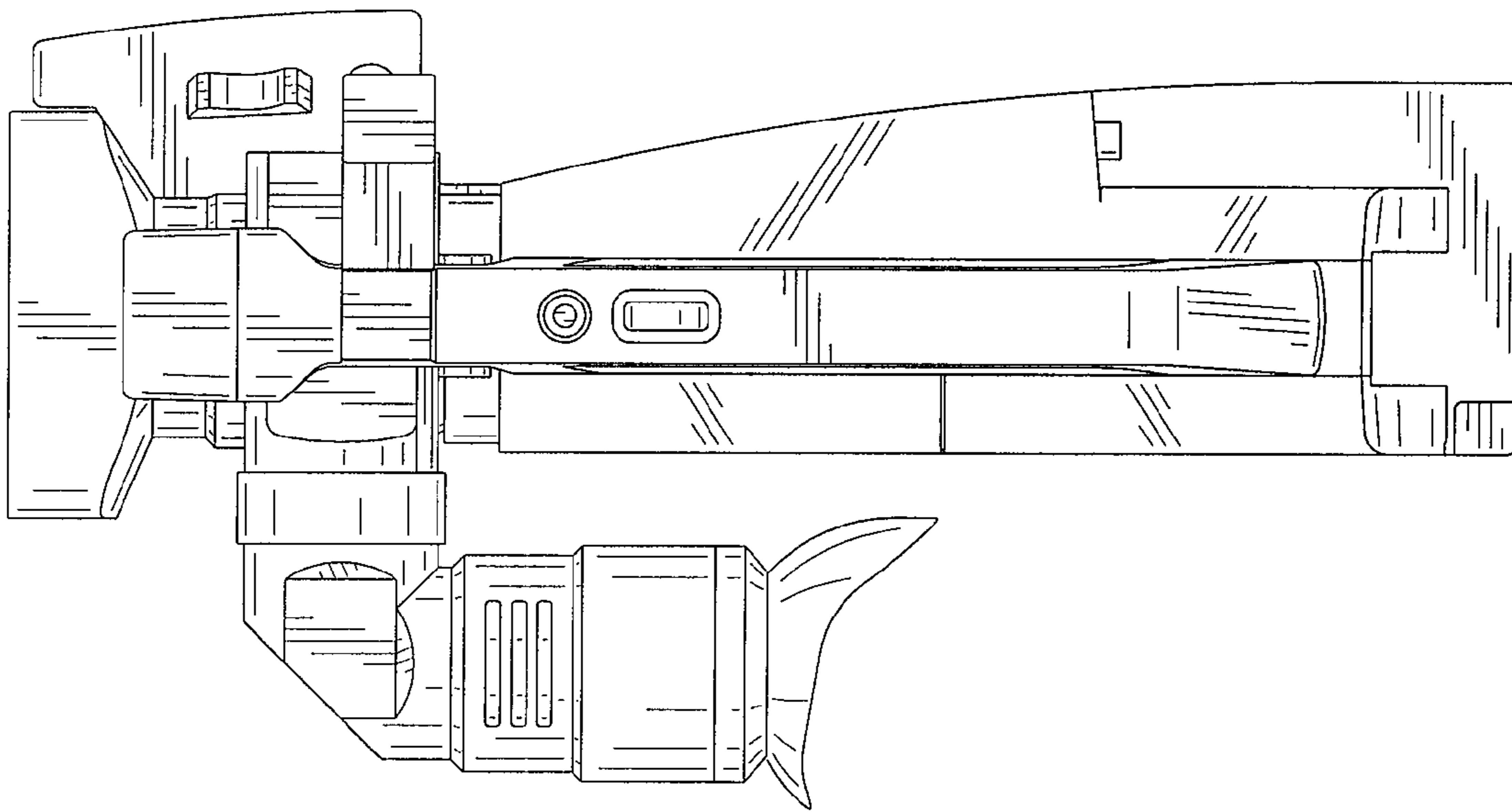


FIG.8

