



US00D589546S

(12) **United States Design Patent**
Levine

(10) **Patent No.:** **US D589,546 S**
(45) **Date of Patent:** **** Mar. 31, 2009**

(54) **MAGNIFYING DEVICE**

6,955,442 B1 10/2005 Chan

(76) Inventor: **Jonathan E. Levine**, 419 Park Ave.
South, Suite 505, New York, NY (US)
10016

(Continued)

(**) Term: **14 Years**

(21) Appl. No.: **29/322,504**

(22) Filed: **Aug. 6, 2008**

(51) **LOC (9) Cl.** **16-06**

(52) **U.S. Cl.** **D16/135**

(58) **Field of Classification Search** D16/130,
D16/134, 135, 136; D3/212; D28/77, 82;
D26/38, 42; 359/742, 798, 802, 803, 806,
359/808, 809, 810, 811, 813, 817; 220/345.4
See application file for complete search history.

(56) **References Cited**

U.S. PATENT DOCUMENTS

D161,173	S	*	12/1950	Gubics	D16/135
D172,723	S	*	7/1954	Polk	D16/135
D196,452	S	*	10/1963	Burlin	D16/135
3,409,347	A	*	11/1968	Vogel	359/808
4,037,940	A	*	7/1977	Yates et al.	359/672
D269,184	S	*	5/1983	Tweedie	D16/135
D270,483	S		9/1983	Gardner et al.		
D275,401	S	*	9/1984	Henkels	D16/135
4,595,970	A		6/1986	Diffrient		
D290,884	S		7/1987	Sano et al.		
D303,848	S		10/1989	Bianchi		
5,169,226	A		12/1992	Friedman		
D366,337	S		1/1996	Yuen		
D382,663	S		8/1997	Barry		
D394,272	S	*	5/1998	Hon	D16/135
5,754,349	A	*	5/1998	Hon	359/813
D397,478	S		8/1998	Booty, Jr.		
5,871,274	A		2/1999	Lee et al.		
D408,567	S		4/1999	Coe		
D416,927	S	*	11/1999	Jim	D16/135
D424,223	S		5/2000	Fun		
D470,262	S		2/2003	Yiu		
6,588,920	B2		7/2003	Agro		
6,822,813	B2	*	11/2004	Jim	359/802

OTHER PUBLICATIONS

U.S. Appl. No. 11/510,083, filed Aug. 25, 2006, Levine, Pending.

(Continued)

Primary Examiner—Paula Greene

(74) *Attorney, Agent, or Firm*—Theodore W. Baker

(57) **CLAIM**

I claim the ornamental design for a magnifying device, as shown and described.

DESCRIPTION

FIG. 1 is a perspective view of a magnifying device in an expanded configuration, as viewed from the top and one side thereof.

FIG. 2 is a top plan view of the magnifying device of FIG. 1 in the expanded configuration.

FIG. 3 is a first side elevation view of the magnifying device of FIG. 1 in the expanded configuration.

FIG. 4 is a front elevation view of the magnifying device of FIG. 1 in the expanded configuration.

FIG. 5 is a bottom plan view of the magnifying device of FIG. 1 in the expanded configuration.

FIG. 6 is a back elevation view of the magnifying device of FIG. 1 in the expanded configuration.

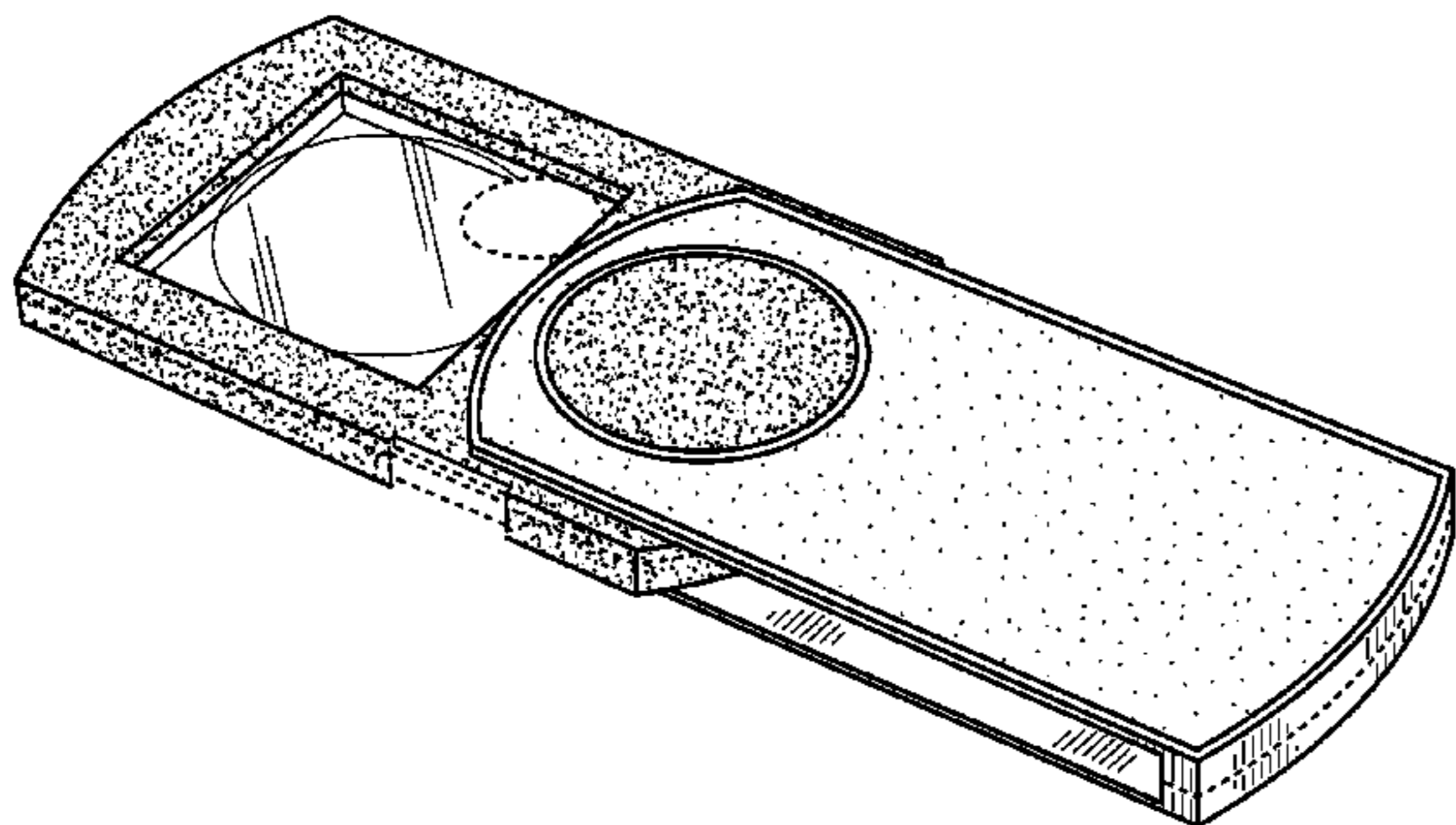
FIG. 7 is a second side elevation view of the magnifying device of FIG. 1 in the expanded configuration.

FIG. 8 is a bottom plan view of the magnifying device of FIG. 1 in a collapsed configuration; and,

FIG. 9 is a top plan view of the magnifying device of FIG. 1 in the collapsed configuration.

The details shown in broken lines are for illustrative purposes only and form no part of the claimed design.

1 Claim, 3 Drawing Sheets



US D589,546 S

Page 2

U.S. PATENT DOCUMENTS

D523,984 S 6/2006 Cai
D526,433 S 8/2006 Li
D530,353 S * 10/2006 Jarosinski et al. D16/135
7,218,463 B1 * 5/2007 Arsenault 359/817
D550,884 S 9/2007 Tufano et al.
D561,217 S * 2/2008 Young et al. D16/135
D561,925 S 2/2008 Levine
D563,013 S 2/2008 Levine
D563,014 S 2/2008 Levine
D563,582 S 3/2008 Levine
7,414,798 B1 * 8/2008 Yip et al. 359/802
D576,334 S 9/2008 Levine
D576,338 S 9/2008 Levine
D578,246 S 10/2008 Levine
D578,703 S 10/2008 Levine
D581,077 S 11/2008 Levine
D581,569 S 11/2008 Levine
D581,570 S 11/2008 Levine
D581,571 S 11/2008 Levine
D581,572 S * 11/2008 Levine D26/63
D586,491 11/2008 Levine
D582,601 S 12/2008 Levine
D585,152 S 1/2009 Levine
D585,578 S 1/2009 Levine

2003/0179572 A1* 9/2003 Schnell 362/191
2008/0137326 A1 6/2008 Levine

OTHER PUBLICATIONS

U.S. Appl. No. 60/873,658, filed Dec. 8, 2006, Levine, Expired.
“Fulcrum 113311-301 Flyweight Travel Booklight,” <http://www.amazon.com/Fulcrum-113311-301-Flyweight-Travel-Booklight/dp/B0006JN7XC>, visited Aug. 17, 2007, 1 page.
“Everest Travel Mag,” http://www.lumatec.com/executive/ev_910.htm, visited Feb. 11, 2008, 1 page.
U.S. Appl. No. 29/327,576, filed Nov. 7, 2008, Levine, Pending.
U.S. Appl. No. 29/327,577, filed Nov. 7, 2008, Levine, Pending.
U.S. Appl. No. 29/327,578, filed Nov. 7, 2008, Levine, Pending.
U.S. Appl. No. 60/878,733, filed Jan. 4, 2007, Levine, Expired.
U.S. Appl. No. 11/734,022, filed Apr. 11, 2007, Levine, Pending.
U.S. Appl. No. 11/945,963, filed Nov. 27, 2007, Levine, Pending.
U.S. Appl. No. 11/954,225, filed Dec. 12, 2007, Levine, Pending.
U.S. Appl. No. 12/126,881, filed May 24, 2008, Levine, Pending.
U.S. Appl. No. 12/186,875, filed Aug. 6, 2008, Levine, Pending.
U.S. Appl. No. 29/327,572, filed Nov. 7, 2008, Levine, Pending.
U.S. Appl. No. 29/327,573, filed Nov. 7, 2008, Levine, Pending.
U.S. Appl. No. 29/327,574, filed Nov. 7, 2008, Levine, Pending.
U.S. Appl. No. 29/327,575, filed Nov. 7, 2008, Levine, Pending.

* cited by examiner

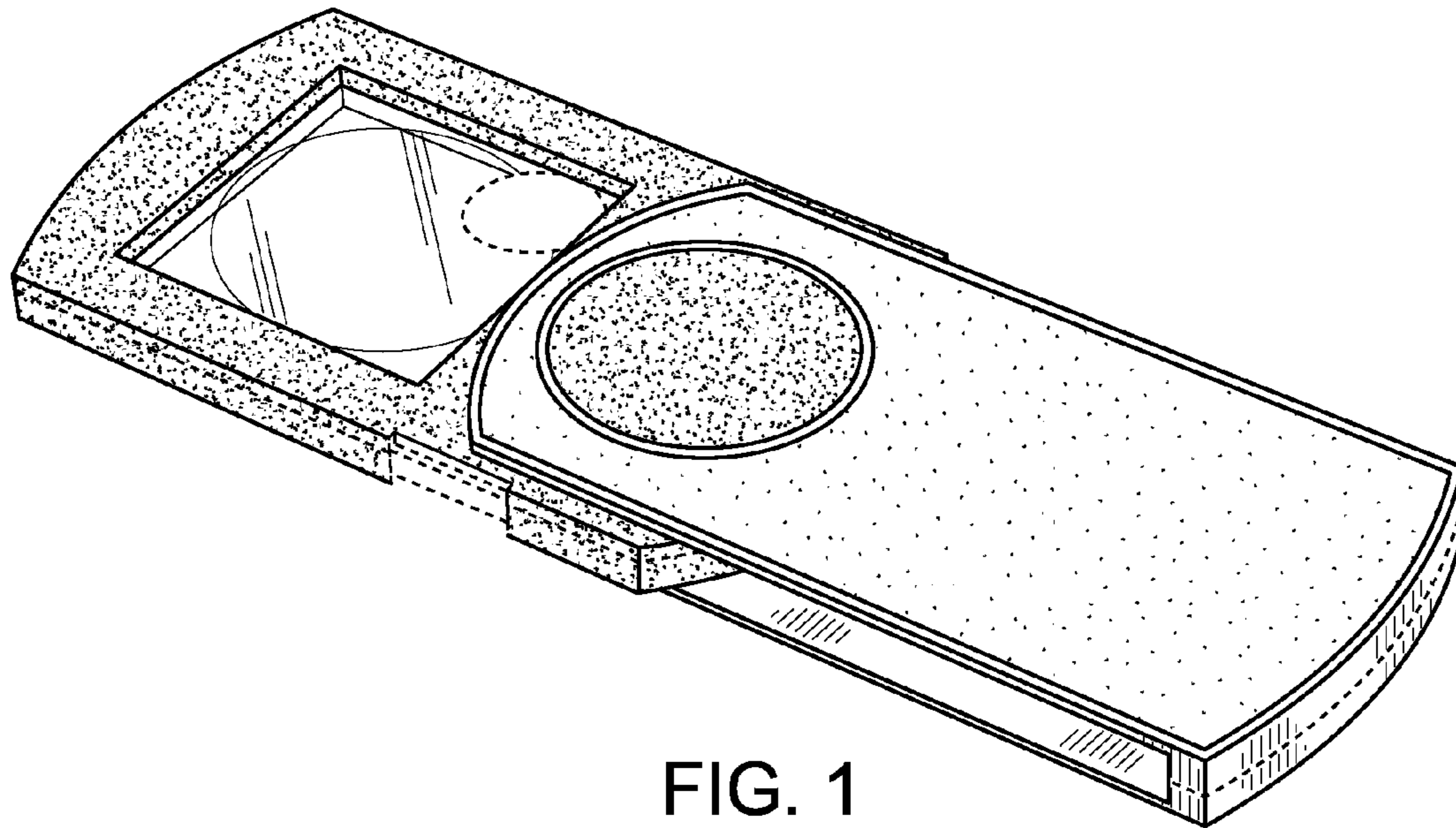


FIG. 1

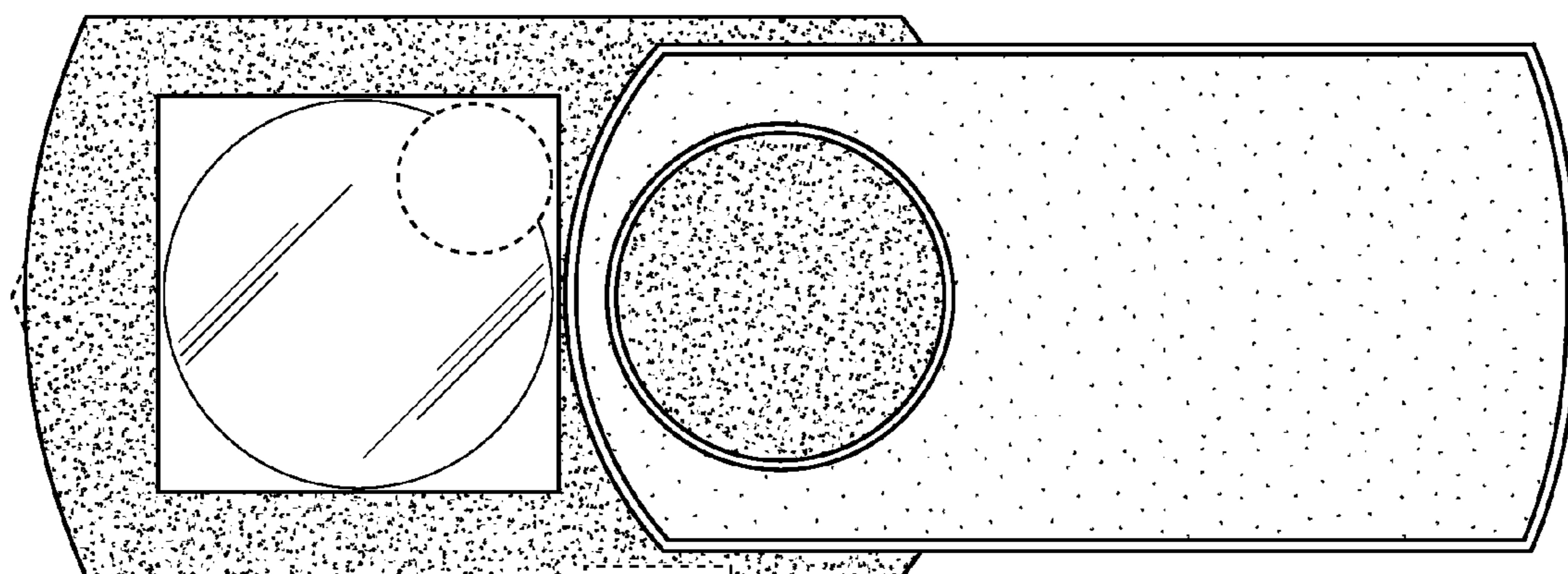


FIG. 2



FIG. 3



FIG. 4

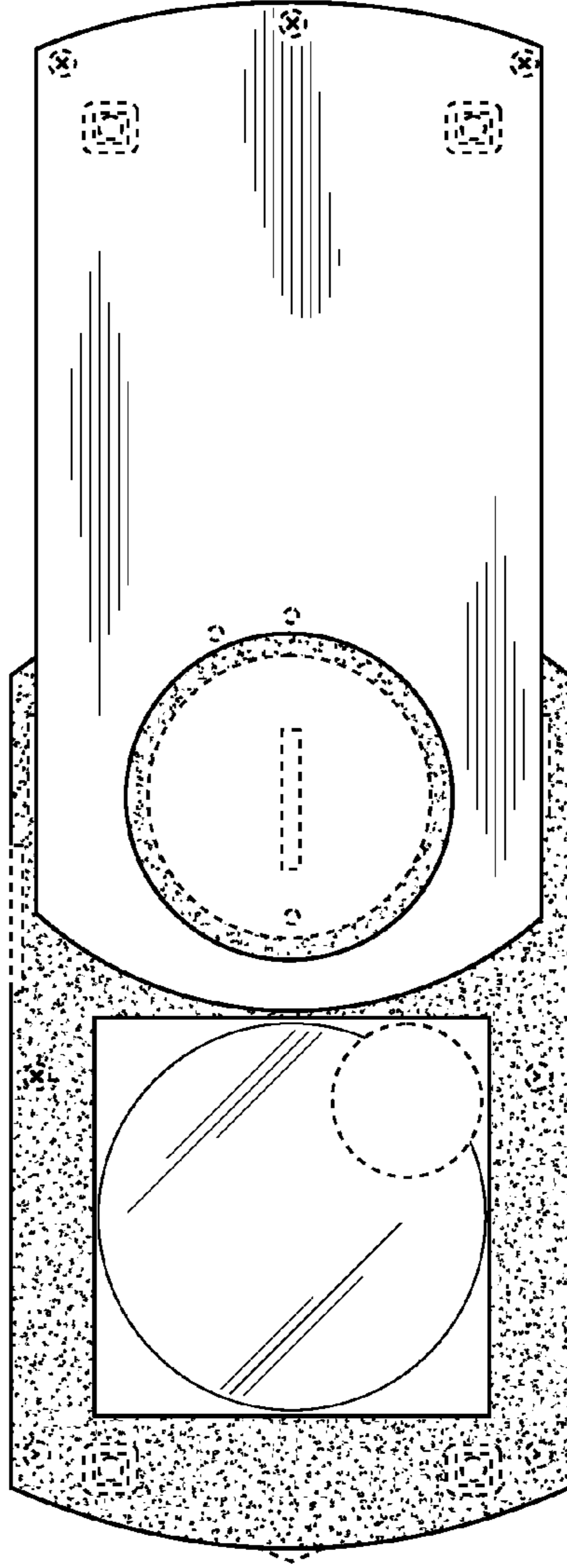


FIG. 5

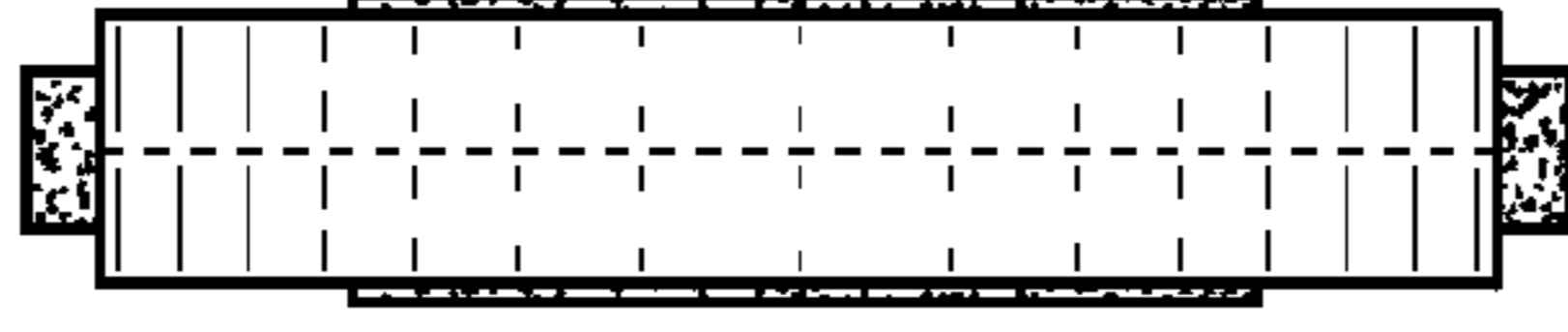


FIG. 6

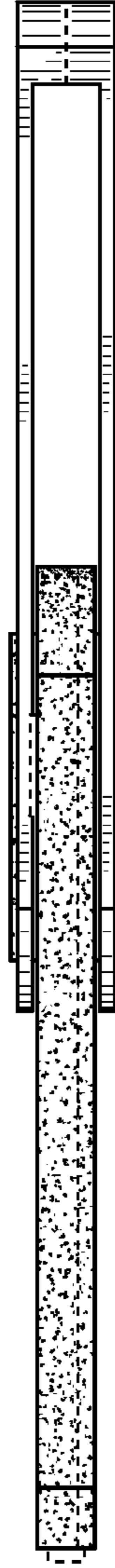


FIG. 7

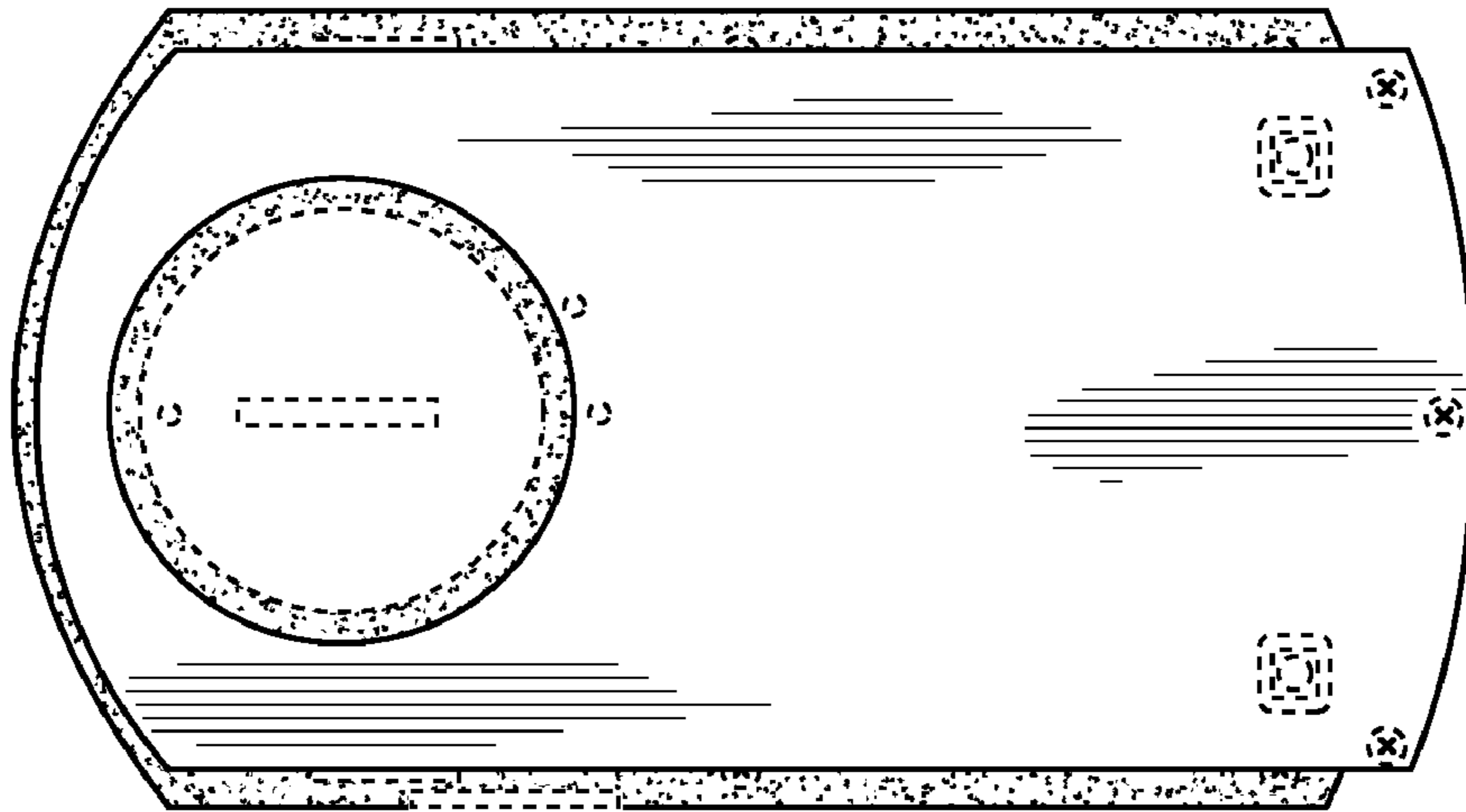


FIG. 8

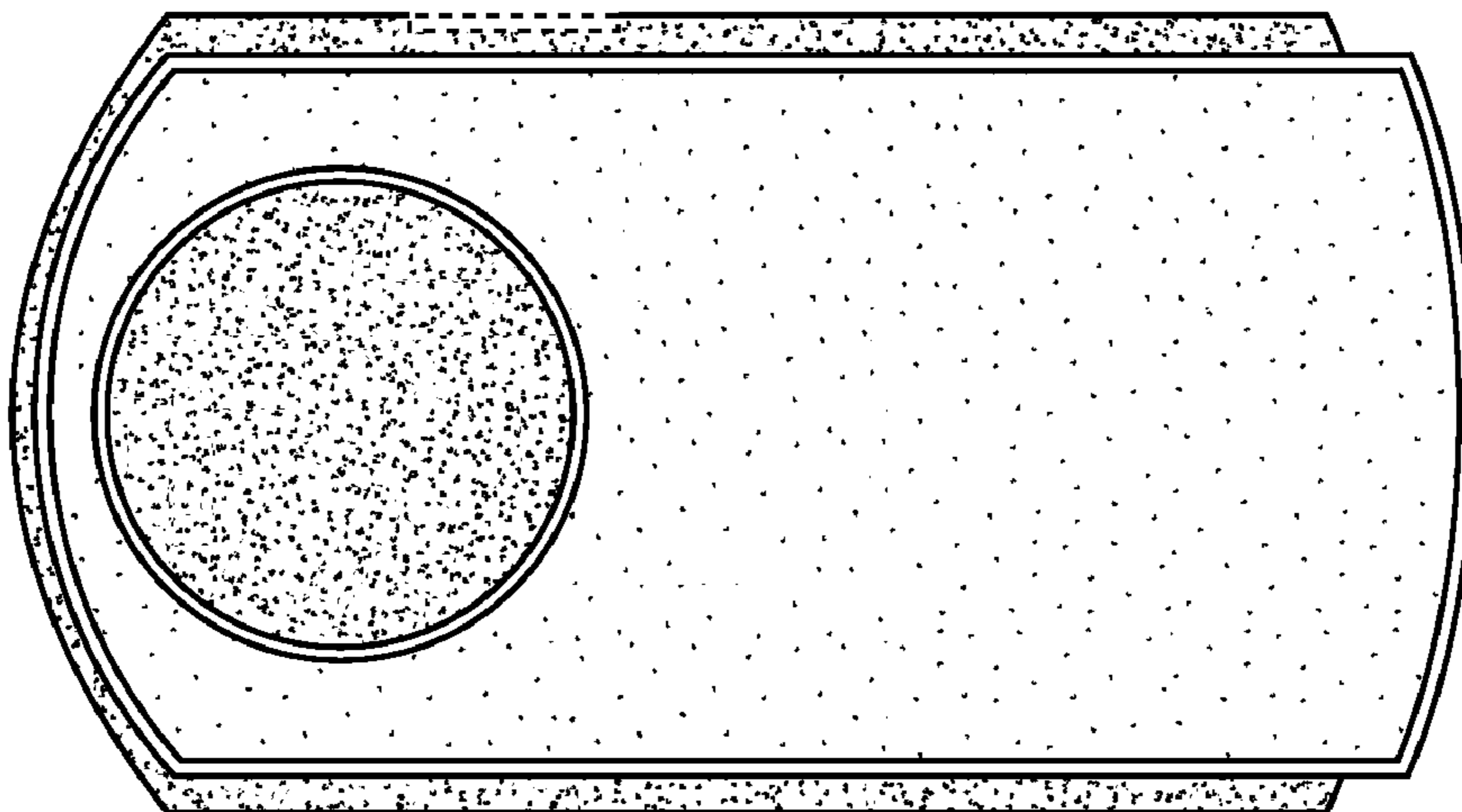


FIG. 9