



US00D589544S

(12) **United States Design Patent**
York

(10) **Patent No.:** **US D589,544 S**
(45) **Date of Patent:** **** Mar. 31, 2009**

(54) **RIFLESCOPE**

(75) Inventor: **Andrew W. York**, Portland, OR (US)

(73) Assignee: **Leupold & Stevens, Inc.**, Beaverton, OR (US)

(**) Term: **14 Years**

(21) Appl. No.: **29/306,956**

(22) Filed: **Apr. 18, 2008**

D443,628 S	6/2001	Koshibe et al.
6,279,259 B1	8/2001	Otteman
6,327,806 B1	12/2001	Paige
6,691,447 B1	2/2004	Otteman
6,811,268 B2	11/2004	Watson
D510,945 S	10/2005	Do
D516,156 S	2/2006	Crandall
7,051,469 B1	5/2006	Pochapsky
7,072,124 B2	7/2006	Wilt et al.

(Continued)

OTHER PUBLICATIONS

U.S. Appl. No. 11/060,444, filed Feb. 16, 2005.

(Continued)

Primary Examiner—T. Chase Nelson

Assistant Examiner—David G Muller

(74) *Attorney, Agent, or Firm*—Stoel Rives LLP

Related U.S. Application Data

(62) Division of application No. 29/223,707, filed on Feb. 16, 2005, now Pat. No. Des. 579,471.

(51) **LOC (9) Cl.** **22-01**

(52) **U.S. Cl.** **D16/132; D22/109**

(58) **Field of Classification Search** D22/108–110,
D22/199; D16/132, 130, 133, 330, 134;
359/399, 823, 744; 42/111, 133, 119, 122
See application file for complete search history.

(57) **CLAIM**

I claim the ornamental design for a riflescope, as shown and described.

(56) **References Cited**

U.S. PATENT DOCUMENTS

2,517,274 A	8/1950	Baker et al.
3,516,736 A	6/1970	Weaver
D232,661 S	9/1974	Thompson et al.
D233,169 S	10/1974	Thompson et al.
D235,685 S	7/1975	Chesnut
D235,800 S	7/1975	Van Exel
D238,513 S	1/1976	Van Exel
D240,333 S	6/1976	Chesnut
4,509,282 A	4/1985	McMillon
4,860,480 A	8/1989	Ruger
4,940,324 A	7/1990	Nichols
5,111,587 A	5/1992	Plank
D344,531 S	2/1994	Nemoto
D346,392 S	4/1994	Tomita
D381,387 S	7/1997	Canaday et al.
D385,899 S	11/1997	Murphy et al.
D417,679 S	12/1999	Cross et al.
D421,286 S	2/2000	Tucker
D427,275 S	6/2000	Gilmore

DESCRIPTION

FIG. 1 is an isometric view of a riflescope in accordance with an embodiment;

FIG. 2 is a left side elevation of the riflescope of FIG. 1, of which the right side elevation (not shown) is a mirror image;

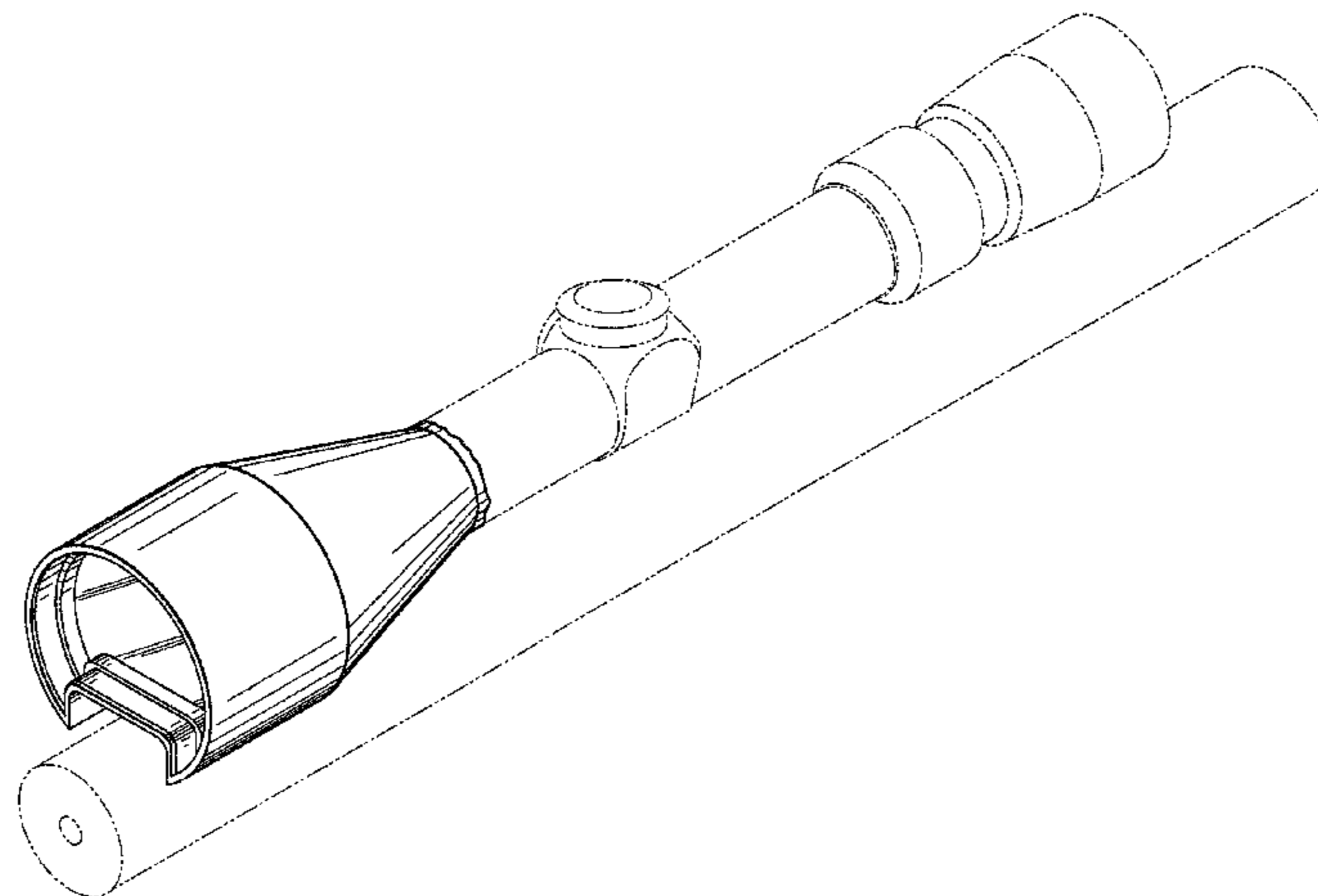
FIG. 3 is an objective end elevation of the riflescope of FIG. 1;

FIG. 4 is a top plan view of the riflescope of FIG. 1; and,

FIG. 5 is a bottom plan view of the riflescope of FIG. 1.

In FIGS. 1–5, the broken lines indicating environmental features of a main tube, adjustment knob turret, and eyepiece module of the riflescope form no part of the claimed design. In FIGS. 1–3, additional broken lines indicate environmental features of a rifle barrel, scope mounting base, and mounting rings, which form no part of the claimed design.

1 Claim, 2 Drawing Sheets



US D589,544 S

Page 2

U.S. PATENT DOCUMENTS

D534,193 S 12/2006 Ono
7,275,343 B2 10/2007 York
D563,501 S * 3/2008 Salva D22/109
D564,001 S * 3/2008 Pernstich et al. D16/132
7,346,400 B2 * 3/2008 Cross et al. 42/119
D567,894 S * 4/2008 Sterling et al. D22/108
7,350,329 B1 * 4/2008 Bell et al. 42/122
7,369,302 B2 * 5/2008 Gaber 359/399
7,375,881 B2 * 5/2008 Regan et al. 359/399
D572,740 S * 7/2008 Kitera D16/132
D573,167 S * 7/2008 Kitera D16/134
D573,625 S * 7/2008 Watanabe D16/134
2002/0039242 A1 4/2002 Sasaki et al.
2006/0179702 A1 8/2006 York
2007/0062091 A1 3/2007 Thomas et al.
2008/0016748 A1 * 1/2008 Murg et al. 42/122
2008/0028663 A1 * 2/2008 Day 42/122

2008/0098640 A1 * 5/2008 Sammut et al. 42/122

OTHER PUBLICATIONS

USPTO, Office Action dated Feb. 27, 2007, U.S. Appl. No. 11/060,444.
Omnitech Partners, Inc., Universal Night Sight Family—UNS-XR®, <http://www.omnitechpartners.com/osti/products/uns-xr.htm>, visited Mar. 7, 2007 (publication date unknown), 1 page.
Redfield, Low Profile Widefield, 1986, 1 page.
Redfield, Low Profile Widefield, 1997, 1 page.
Tasco, EXP Extreme Performance Riflescopes, 2001, 2 pages.
Omnitech Partners, Inc., OSTI Optical Systems Technology Star*Tron Night Vision Products—MUNS Magnum Universal Night Sight, product brochure, copyright 2006 (month unknown), 2 pages.
U.S. Government Accountability Office, Decision: Matter of Optical Systems Technology, Inc., file Nos. B-296516.2; B-296516.3; Mar. 17, 2006, 11 pages.
U.S. Appl. No. 11/809,199, filed May 30, 2007, 15 pages.

* cited by examiner

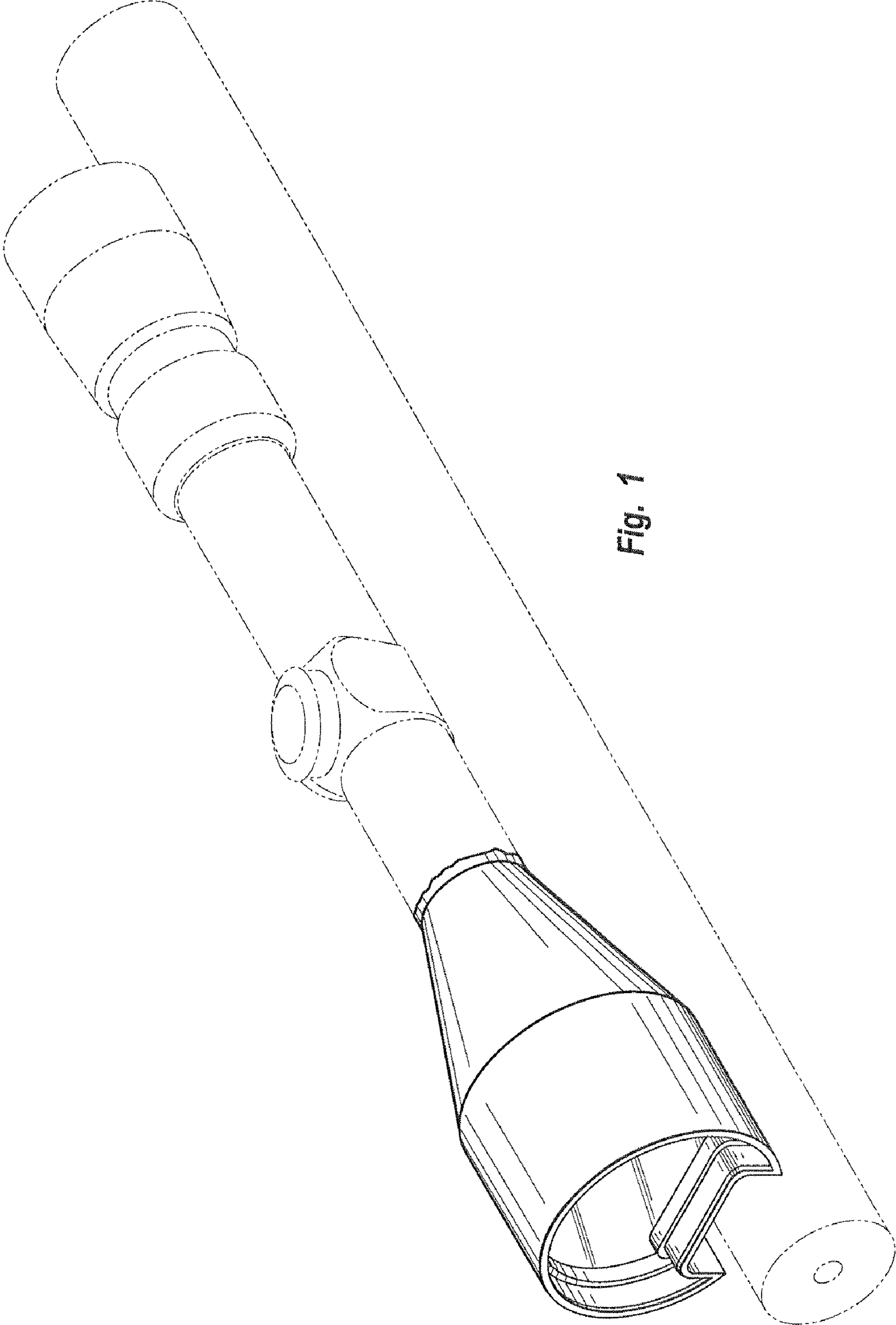


Fig. 1

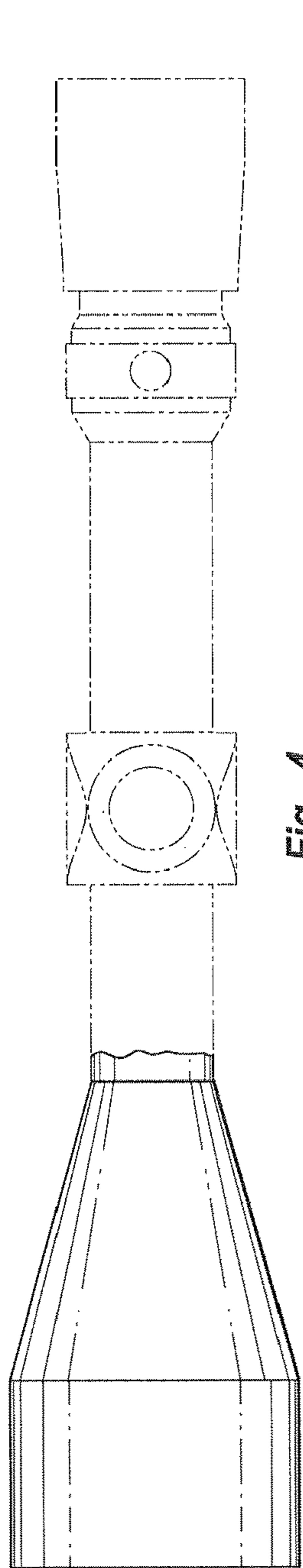


Fig. 4

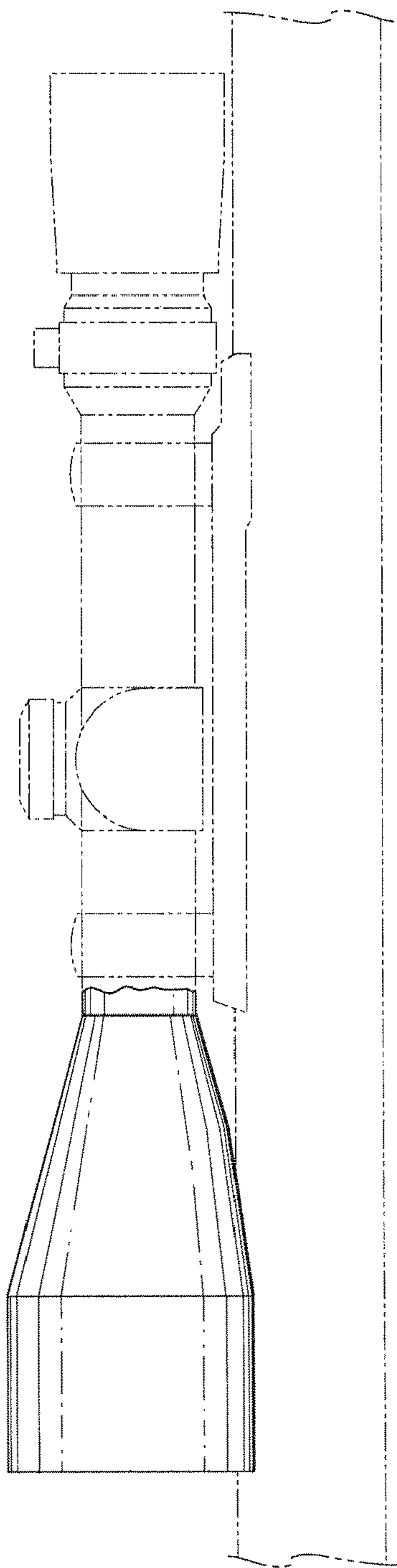


Fig. 2

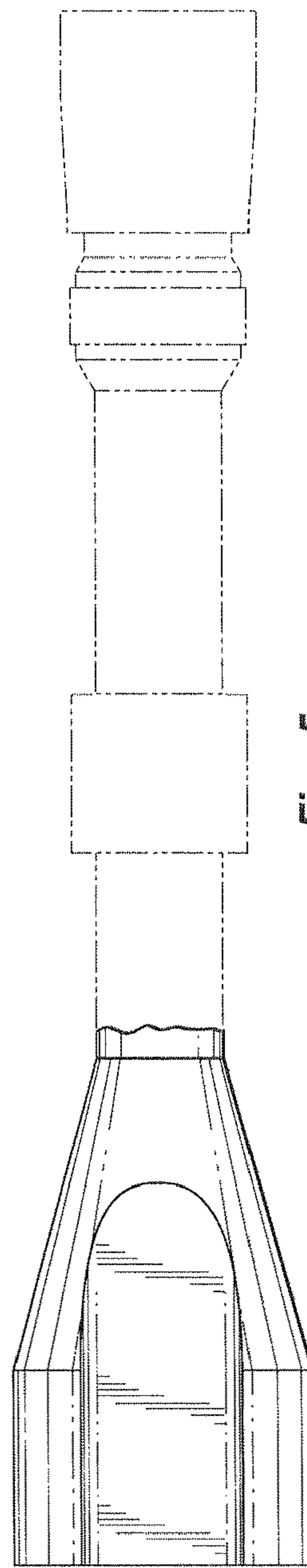


Fig. 5

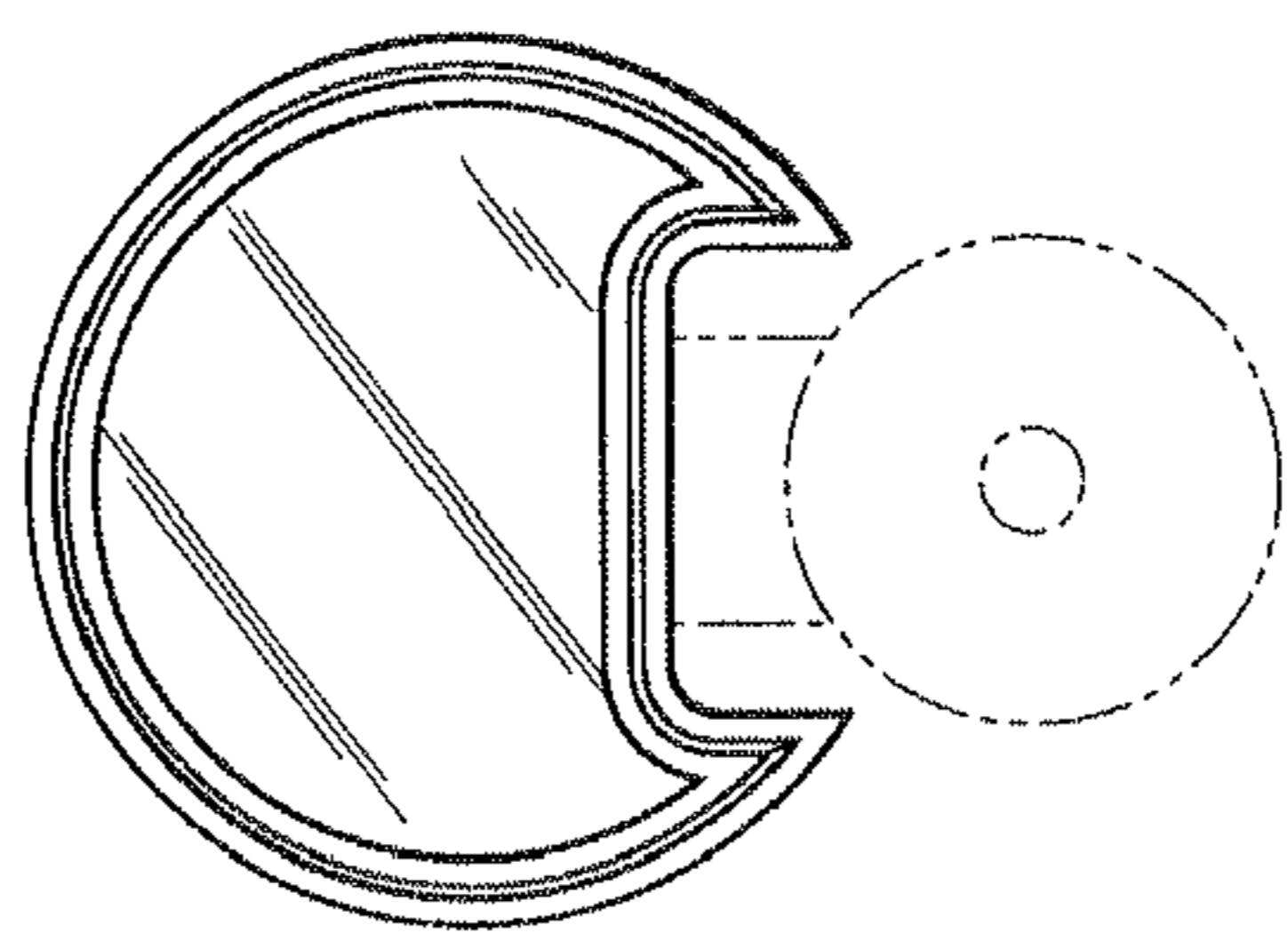


Fig. 3