



US00D589543S

(12) **United States Design Patent**  
**Lin et al.**

(10) **Patent No.:** **US D589,543 S**  
(45) **Date of Patent:** **\*\* Mar. 31, 2009**

(54) **ACTUATOR**

(75) Inventors: **Jin-Cheng Lin**, Taichung (TW);  
**Chia-Chun Wei**, Taichung (TW)

(73) Assignee: **Hiwin Mikrosystem Corp.**, Taichung (TW)

(\*\*) Term: **14 Years**

(21) Appl. No.: **29/307,892**

(22) Filed: **May 19, 2008**

(51) **LOC (9) Cl.** ..... **15-09**

(52) **U.S. Cl.** ..... **D15/143**

(58) **Field of Classification Search** ..... D13/147,  
D13/148, 158; D15/5, 143, 148, 199; D23/233;  
74/89.15, 490.09, 411.5; 297/14, 325, 327;  
310/20, 80; 319/80; 414/560-569

See application file for complete search history.

(56) **References Cited**

**U.S. PATENT DOCUMENTS**

D289,401 S *	4/1987	Yew et al.	.....	D15/5
5,172,600 A *	12/1992	Cissell et al.	.....	74/89.36
D333,666 S *	3/1993	Kawashima et al.	.....	D1/199
D380,217 S *	6/1997	Jermeay et al.	.....	D15/5
D412,918 S *	8/1999	Nagai et al.	.....	D15/199
D467,950 S *	12/2002	Christensen et al.	.....	D15/199
D480,450 S *	10/2003	Saadi et al.	.....	D23/249

6,899,511 B2 *	5/2005	Gurevich et al.	.....	414/749.1
D517,105 S *	3/2006	Negishi	.....	D15/199
D522,090 S *	5/2006	Matsumoto et al.	.....	D23/233
7,141,752 B2 *	11/2006	Hochhalter et al.	.....	219/86.25
2008/0048514 A1 *	2/2008	Hoffmann et al.	.....	310/78

\* cited by examiner

*Primary Examiner*—Sandra Snapp

*Assistant Examiner*—Patricia Palasik

(74) *Attorney, Agent, or Firm*—Charles E. Baxley

(57) **CLAIM**

The ornamental design for an actuator, as shown and described.

**DESCRIPTION**

FIG. 1 is a perspective view of an actuator showing our new design thereof;

FIG. 2 is a front elevational view thereof;

FIG. 3 is a rear elevational view thereof;

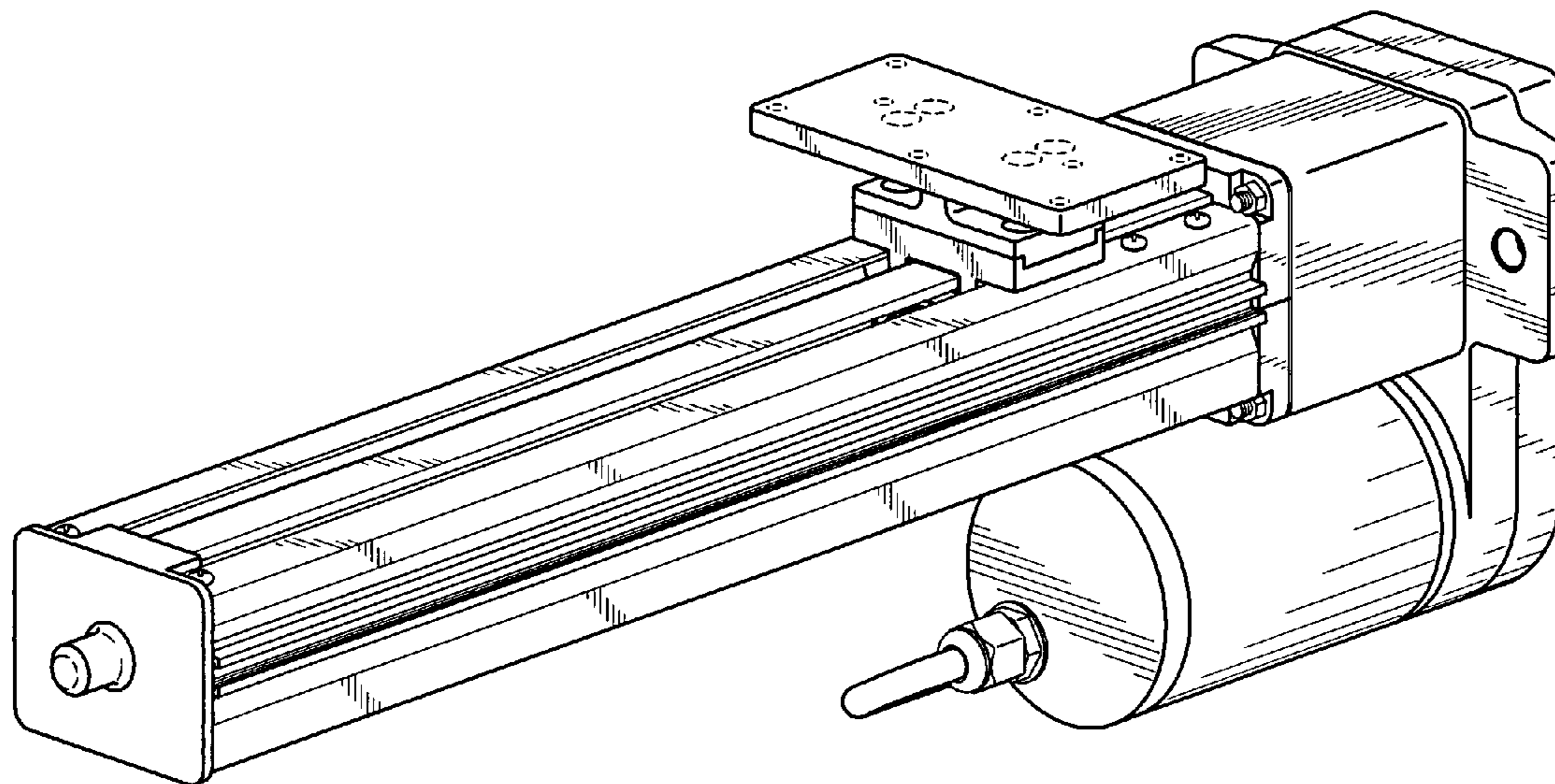
FIG. 4 is a left side elevational view thereof;

FIG. 5 is a right side elevational view thereof; and,

FIG. 6 is a top plan view thereof.

The broken line showing of the actuator is included for the purpose of illustrating portions of the actuator and forms no part of the claimed design.

**1 Claim, 5 Drawing Sheets**



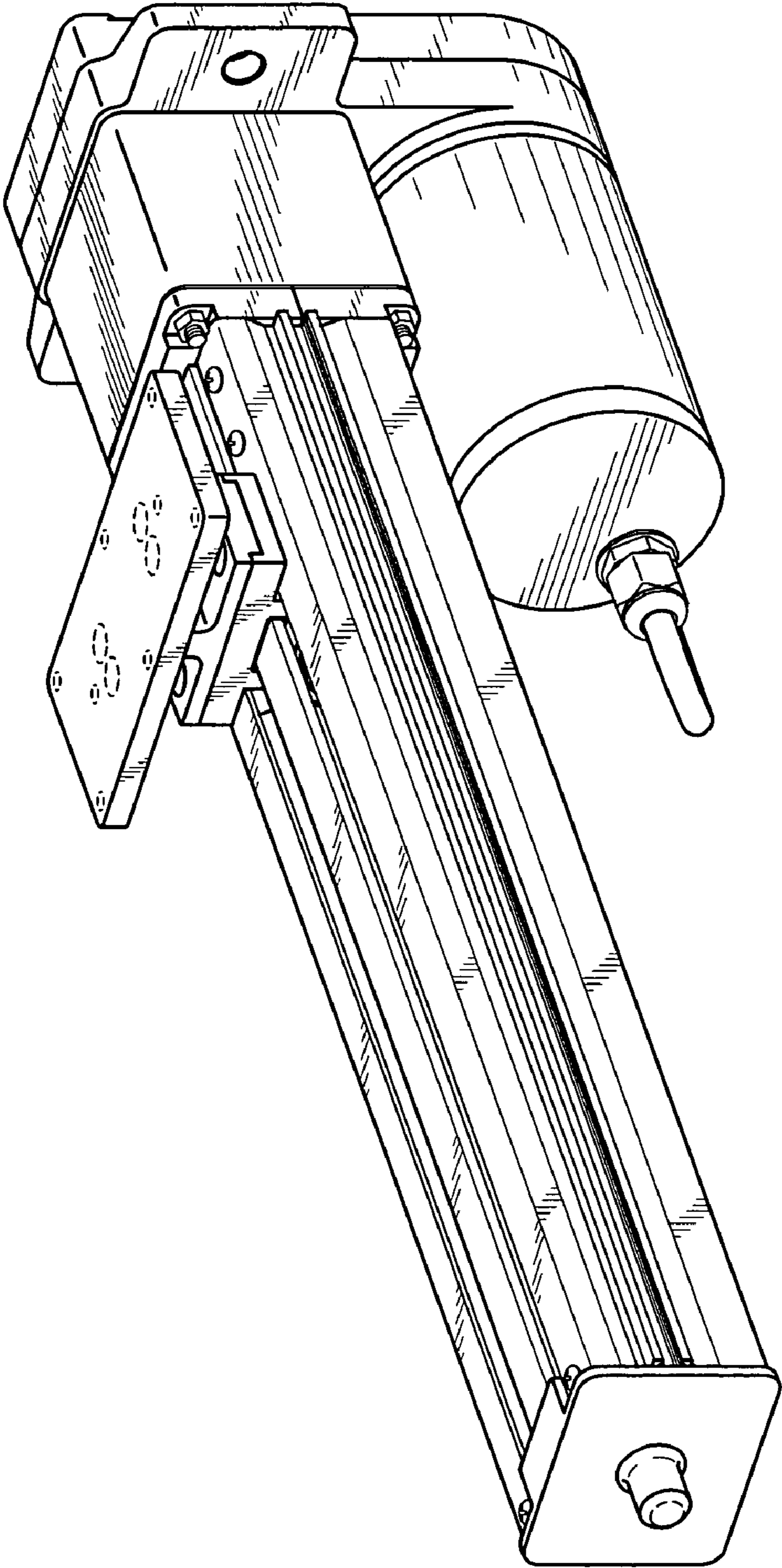


FIG. 1

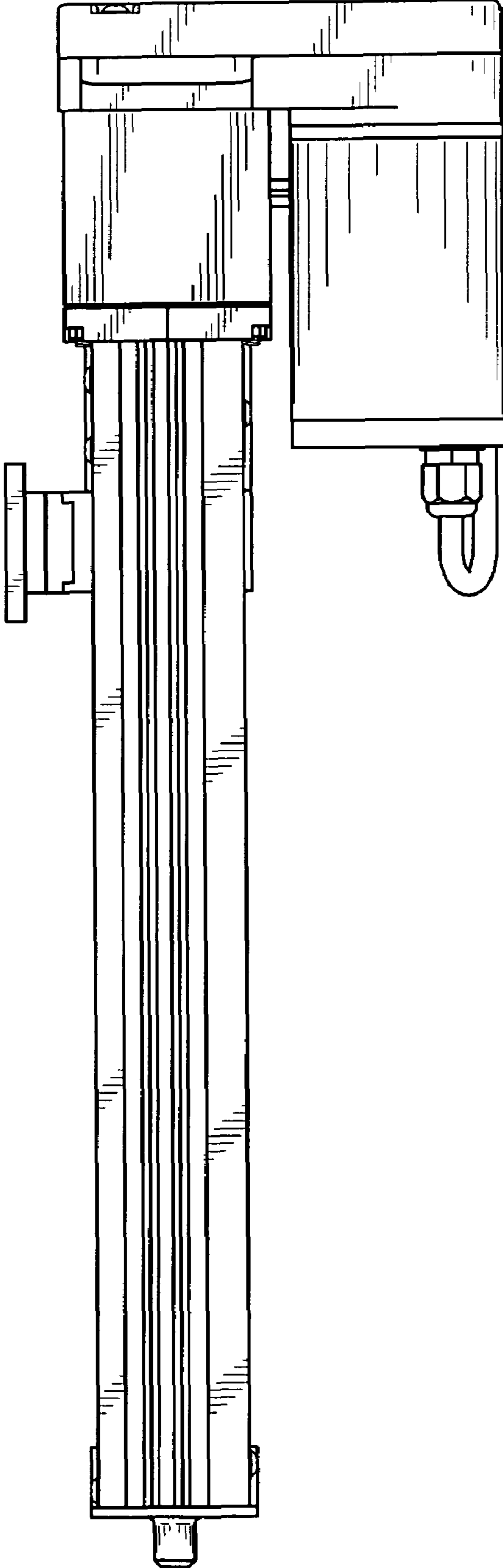


FIG. 2

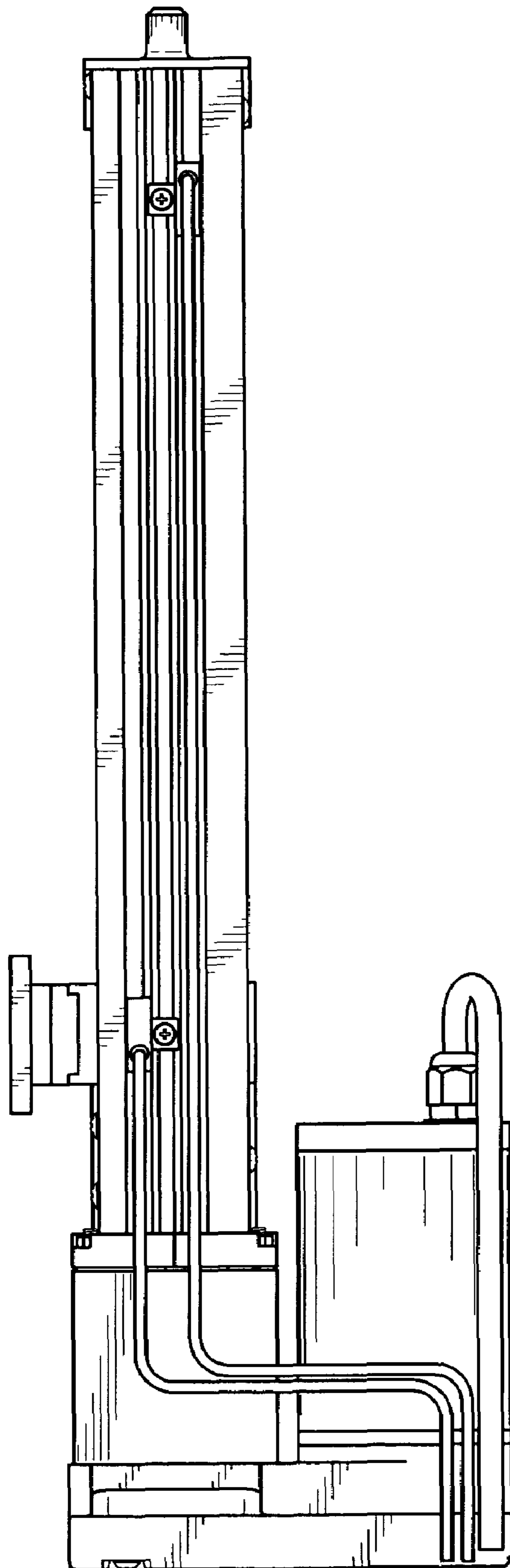


FIG. 3

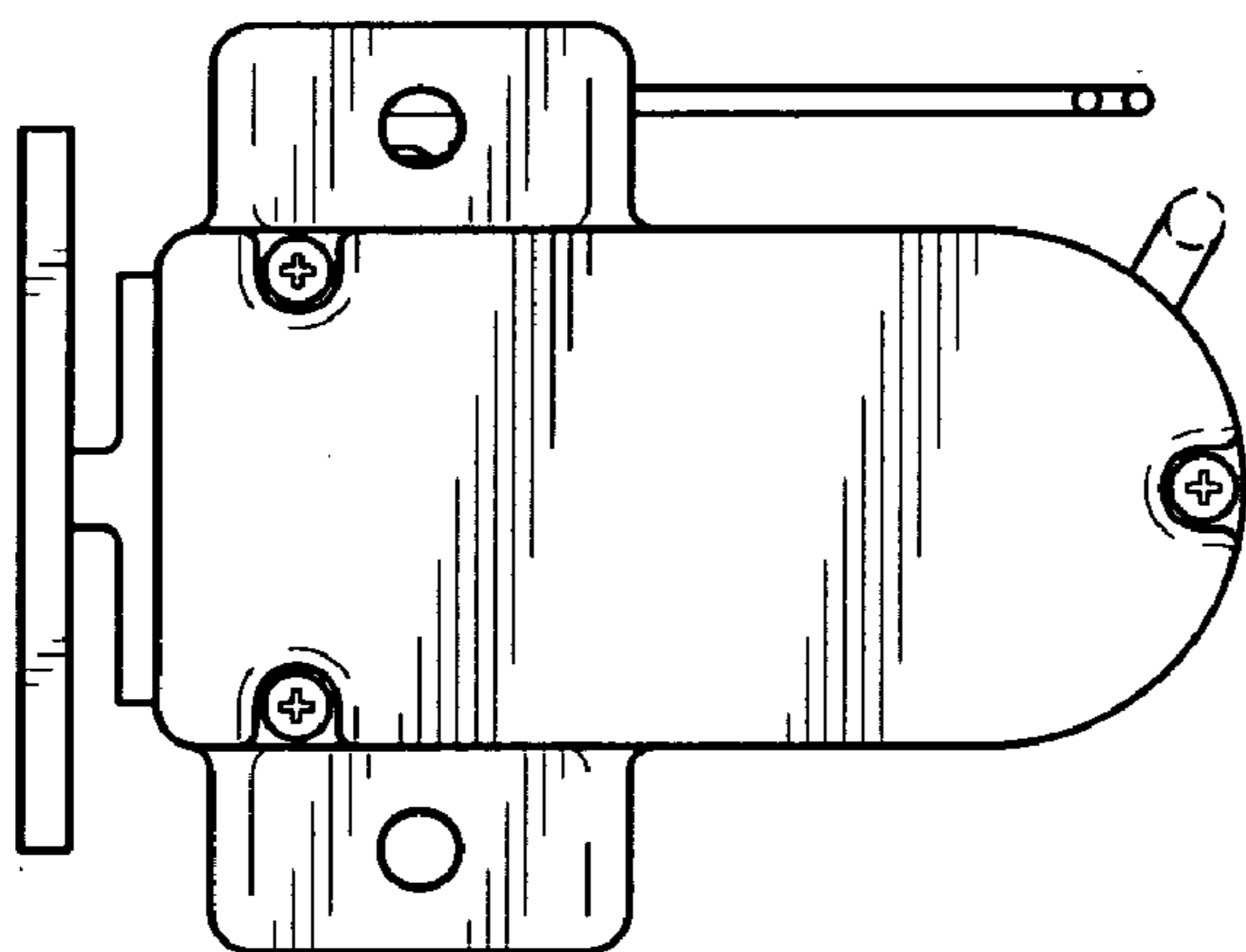


FIG. 5

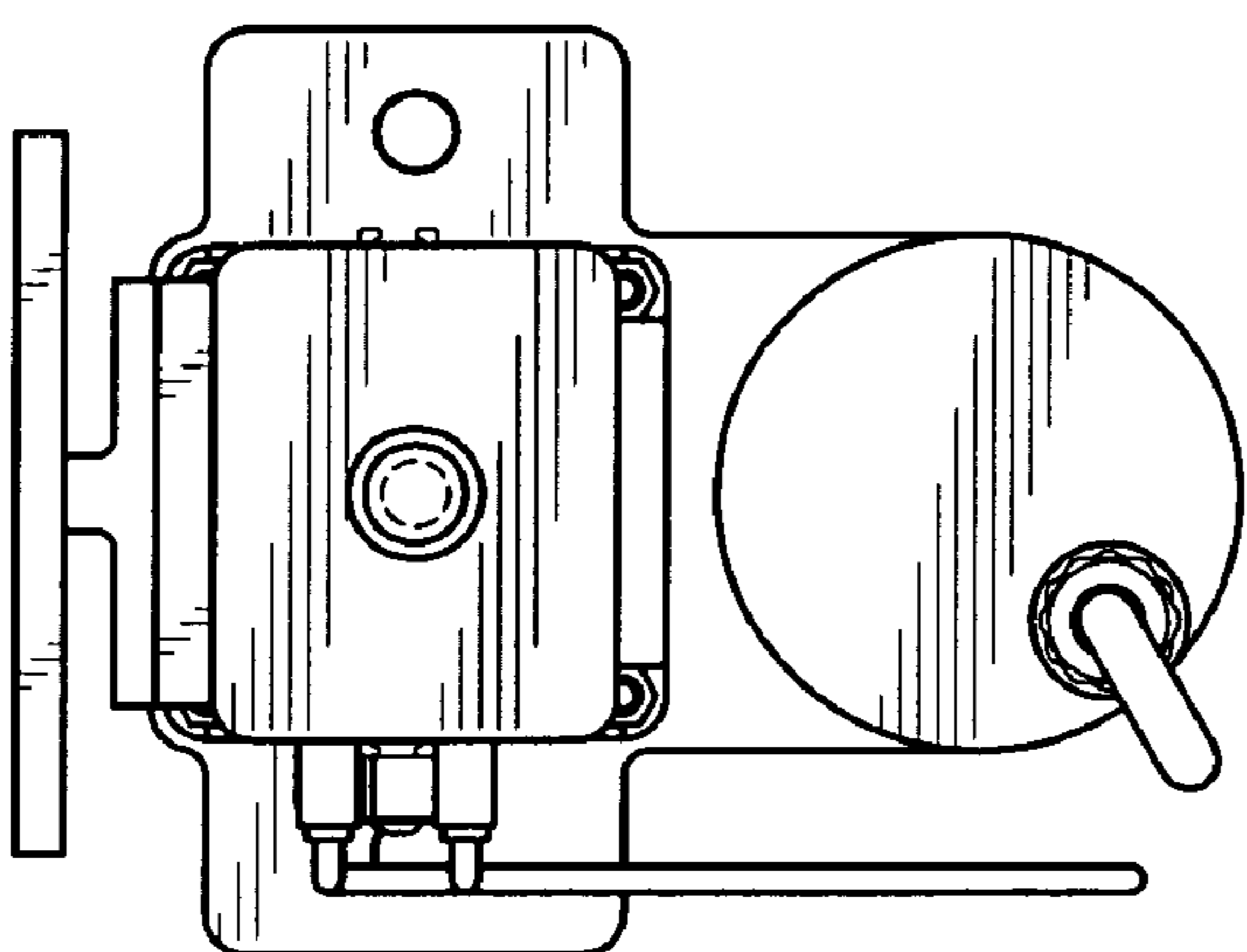


FIG. 4

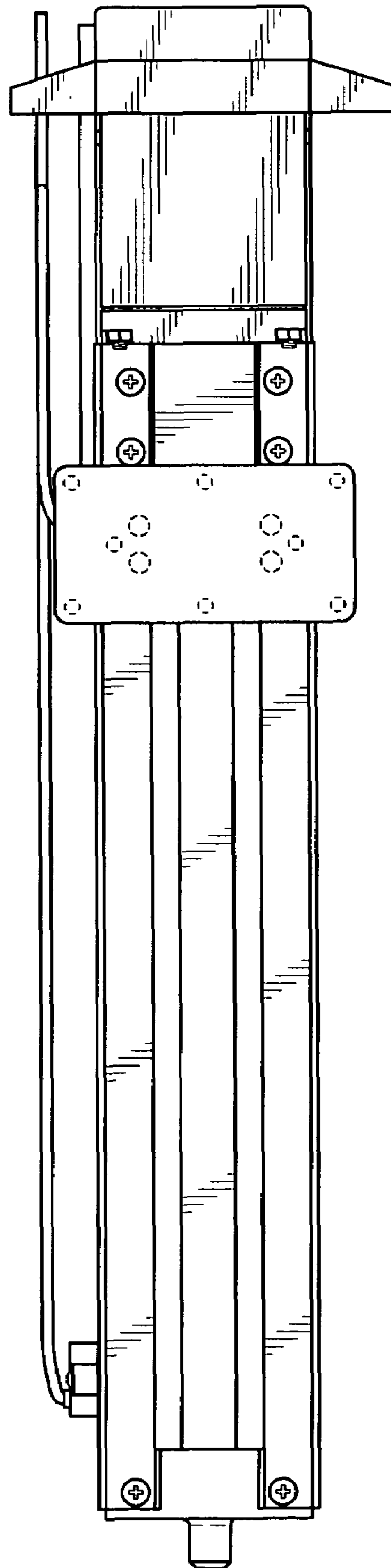


FIG. 6