



US00D589539S

(12) **United States Design Patent**  
**Terada et al.**

(10) **Patent No.:** **US D589,539 S**  
(45) **Date of Patent:** **\*\* Mar. 31, 2009**

(54) **COLD STORAGE SHOWCASE**  
(75) Inventors: **Taiki Terada**, Osaka (JP); **Sou Kumazawa**, Osaka (JP)  
(73) Assignee: **Sanyo Electric Co., Ltd.**, Osaka (JP)  
(\*\*) Term: **14 Years**

D440,432 S \* 4/2001 Topper et al. .... D6/471  
D515,595 S \* 2/2006 Jorgensen ..... D15/81  
D515,596 S \* 2/2006 Jorgensen ..... D15/81  
D516,591 S \* 3/2006 Vanhoof ..... D15/81  
D522,023 S \* 5/2006 Debontridder ..... D15/81  
D522,539 S \* 6/2006 Debontridder ..... D15/81  
D538,308 S \* 3/2007 Debontridder ..... D15/83  
D541,312 S \* 4/2007 Arato ..... D15/81

(21) Appl. No.: **29/309,390**  
(22) Filed: **Aug. 7, 2008**

\* cited by examiner

*Primary Examiner*—Stella M Reid  
*Assistant Examiner*—Shanda C Hill  
(74) *Attorney, Agent, or Firm*—Rabin & Berdo, P.C.

(30) **Foreign Application Priority Data**  
Feb. 18, 2008 (JP) ..... 2008-003461

(57) **CLAIM**

(51) **LOC (9) Cl.** ..... **15-07**  
(52) **U.S. Cl.** ..... **D15/81; D15/83**  
(58) **Field of Classification Search** ..... D15/79,  
D15/81, 83, 84; D6/396, 397, 432, 436,  
D6/449, 470-472; 62/125, 126; 312/3.6,  
312/116, 236, 400-406  
See application file for complete search history.

The ornamental design for a cold storage showcase, as shown and described.

**DESCRIPTION**

(56) **References Cited**

FIG. 1 is a perspective view of a cold storage showcase showing our new design;  
FIG. 2 is a front elevation view thereof;  
FIG. 3 is a rear elevation view thereof;  
FIG. 4 is a top plan view thereof;  
FIG. 5 is a bottom plan view thereof; and,  
FIG. 6 is a left side view thereof, a right side view thereof being a mirror image.

**U.S. PATENT DOCUMENTS**

D147,622 S \* 10/1947 Rideout ..... D6/470  
D209,722 S \* 12/1967 Mangini ..... D6/471  
4,270,819 A \* 6/1981 Ooho ..... 312/116  
D392,295 S \* 3/1998 Johnson ..... D15/81  
D427,210 S \* 6/2000 Tsukida ..... D15/83

**1 Claim, 4 Drawing Sheets**

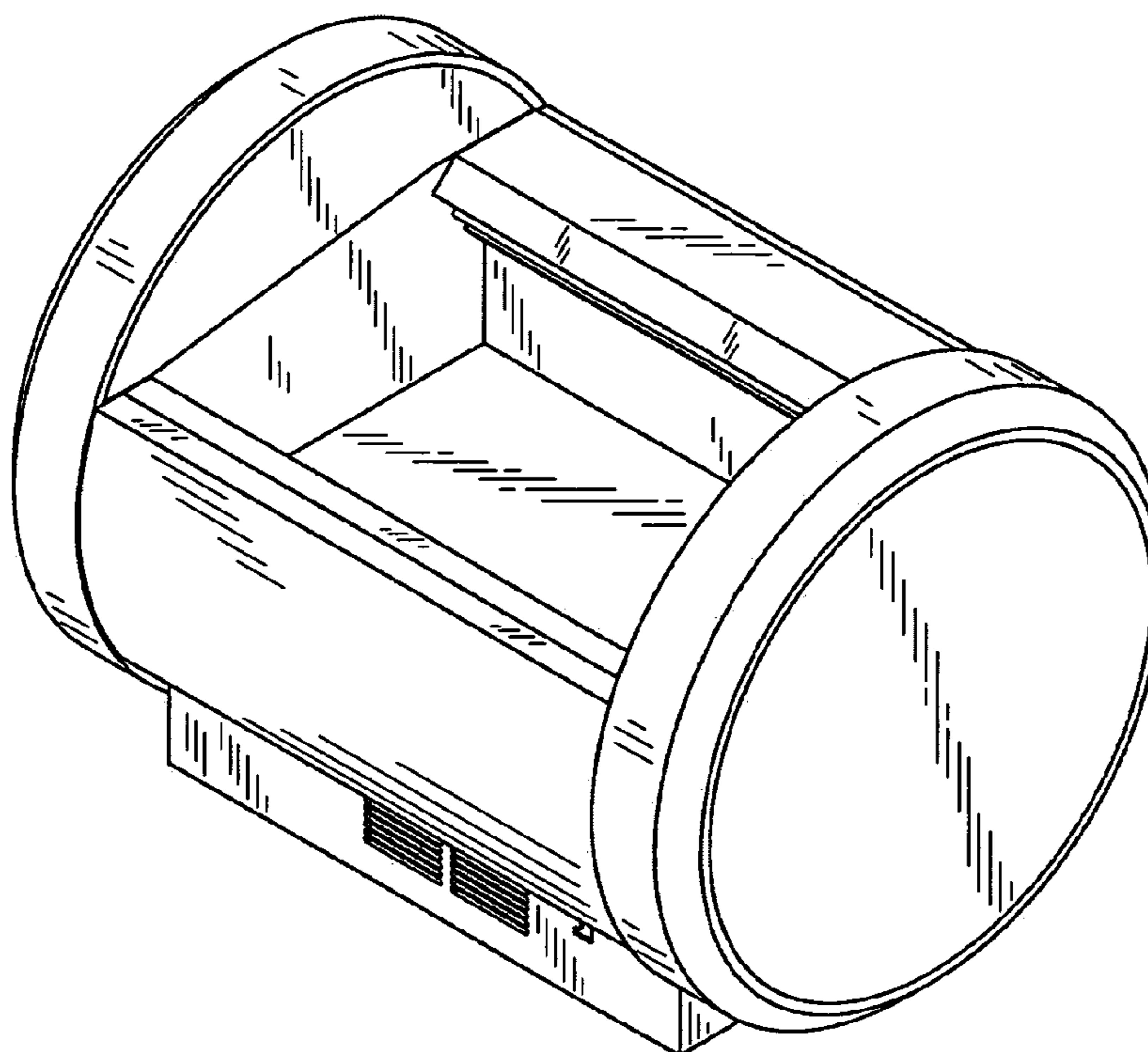


FIG. 1

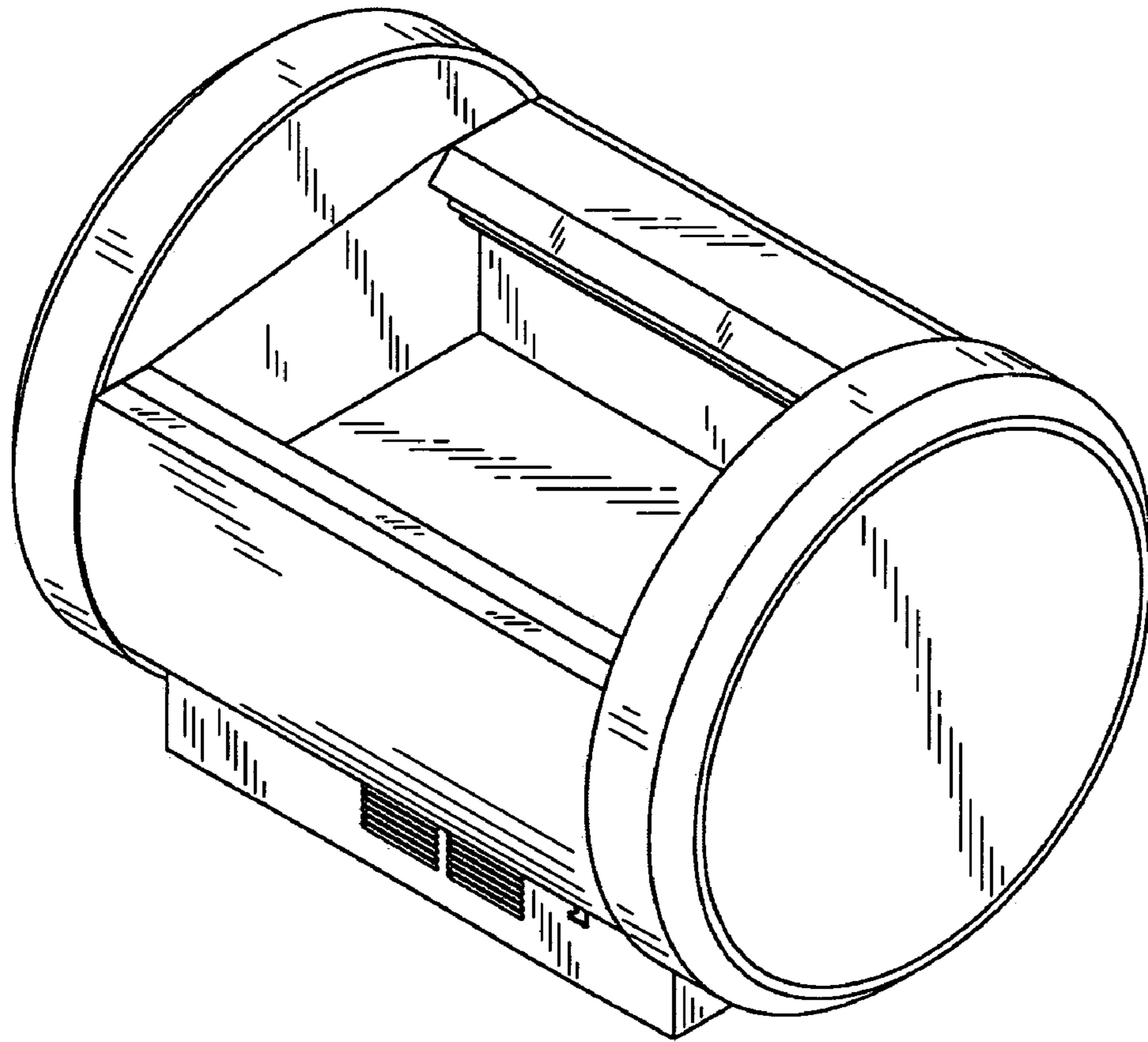


FIG. 2

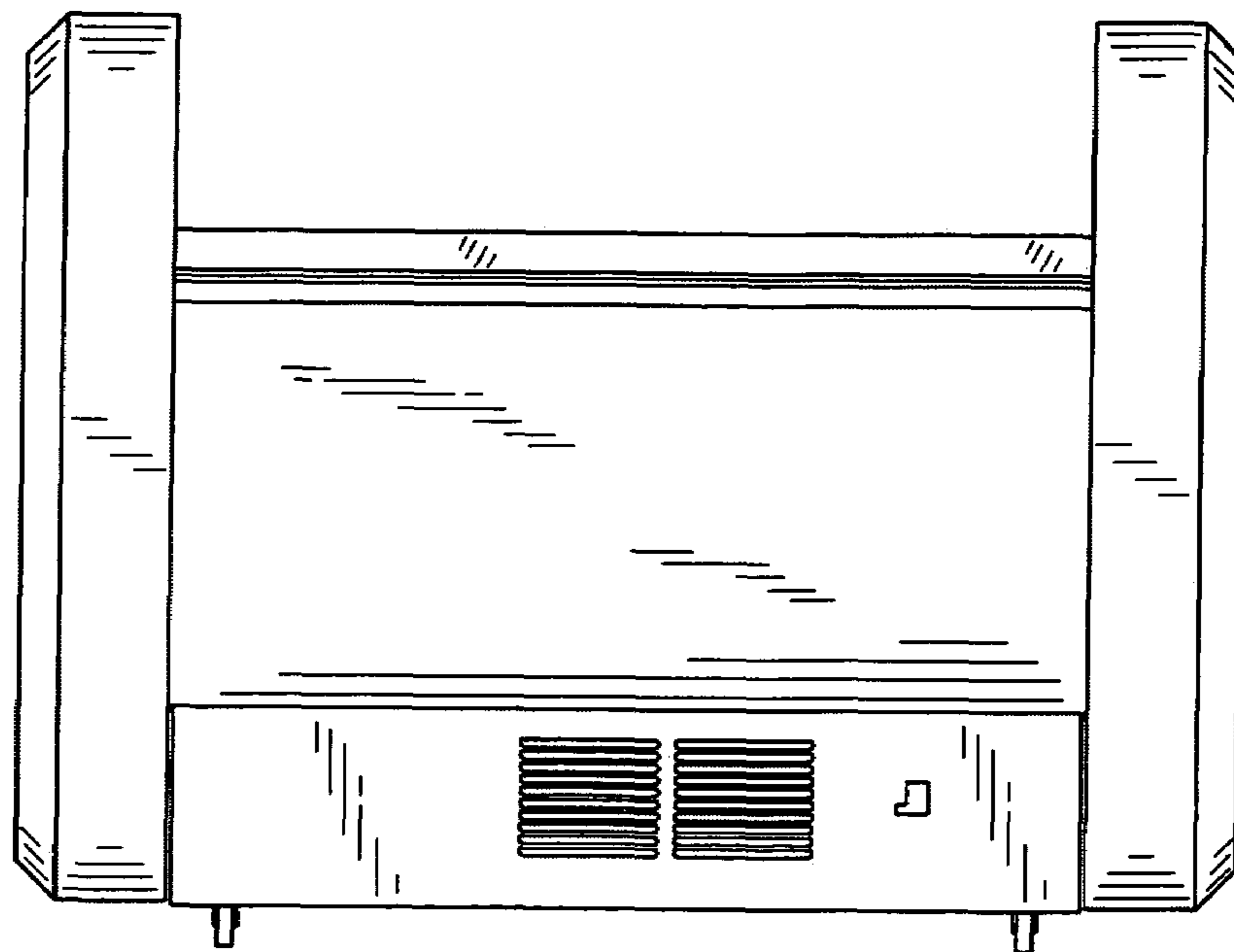


FIG. 3

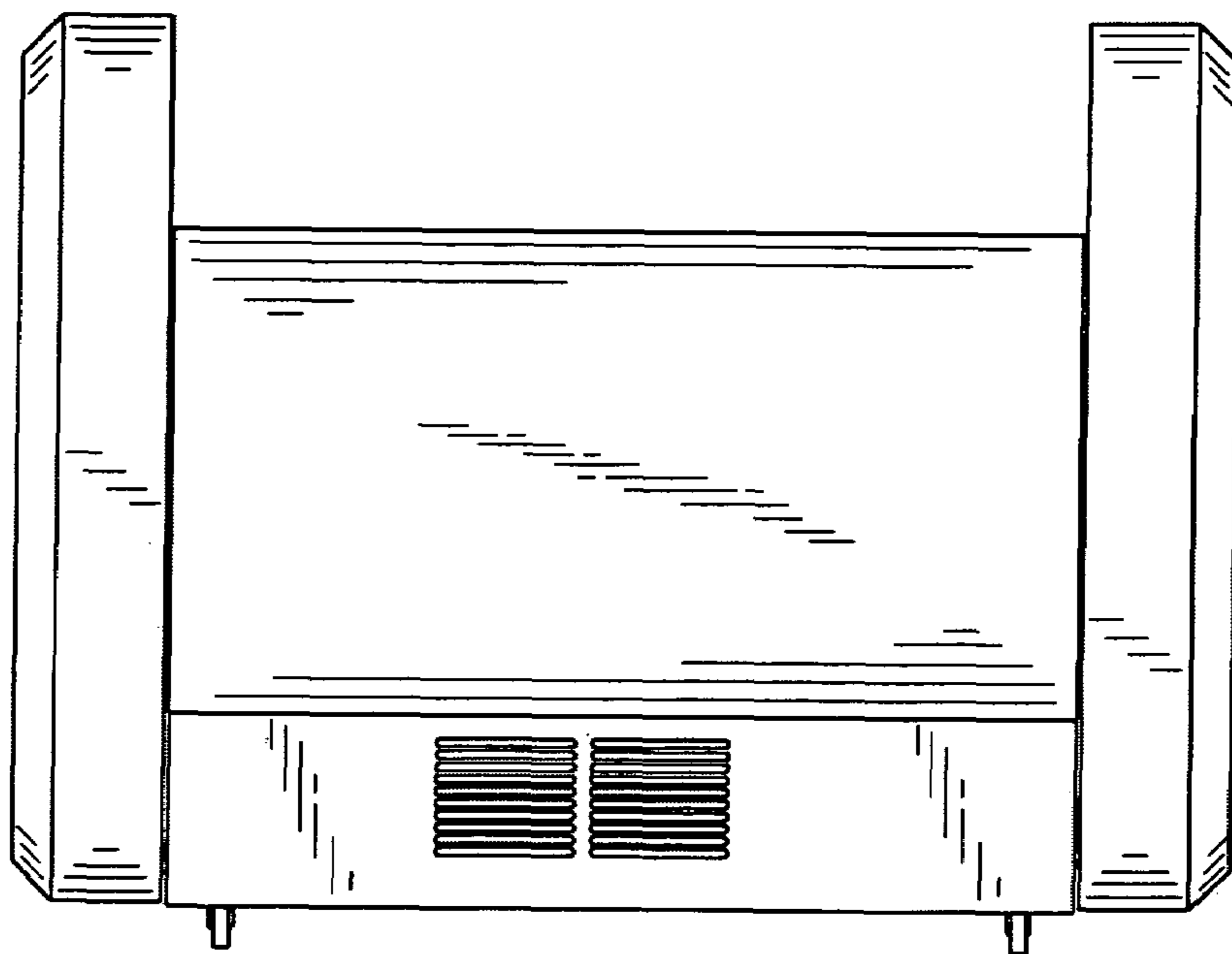


FIG. 4

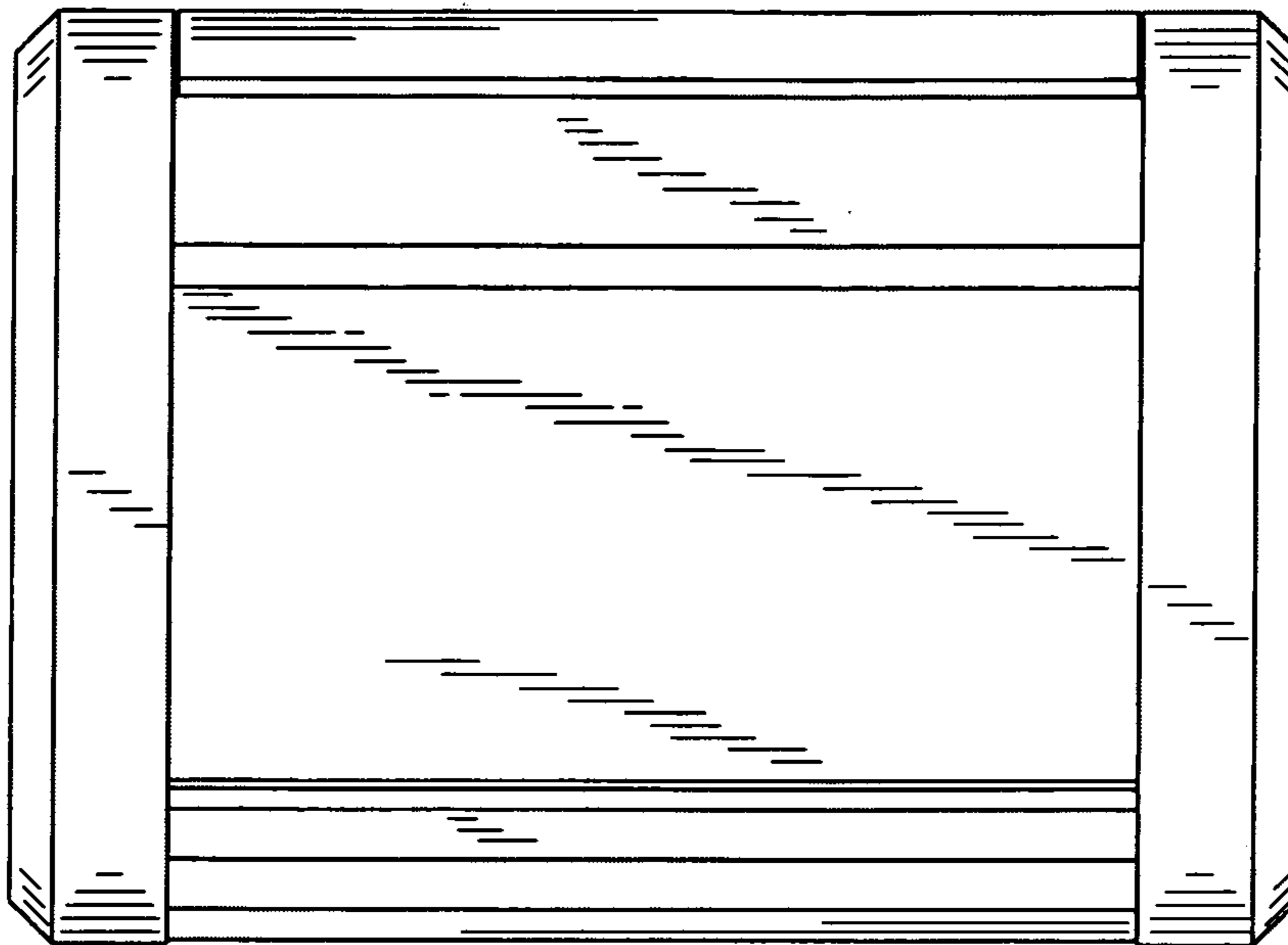


FIG. 5

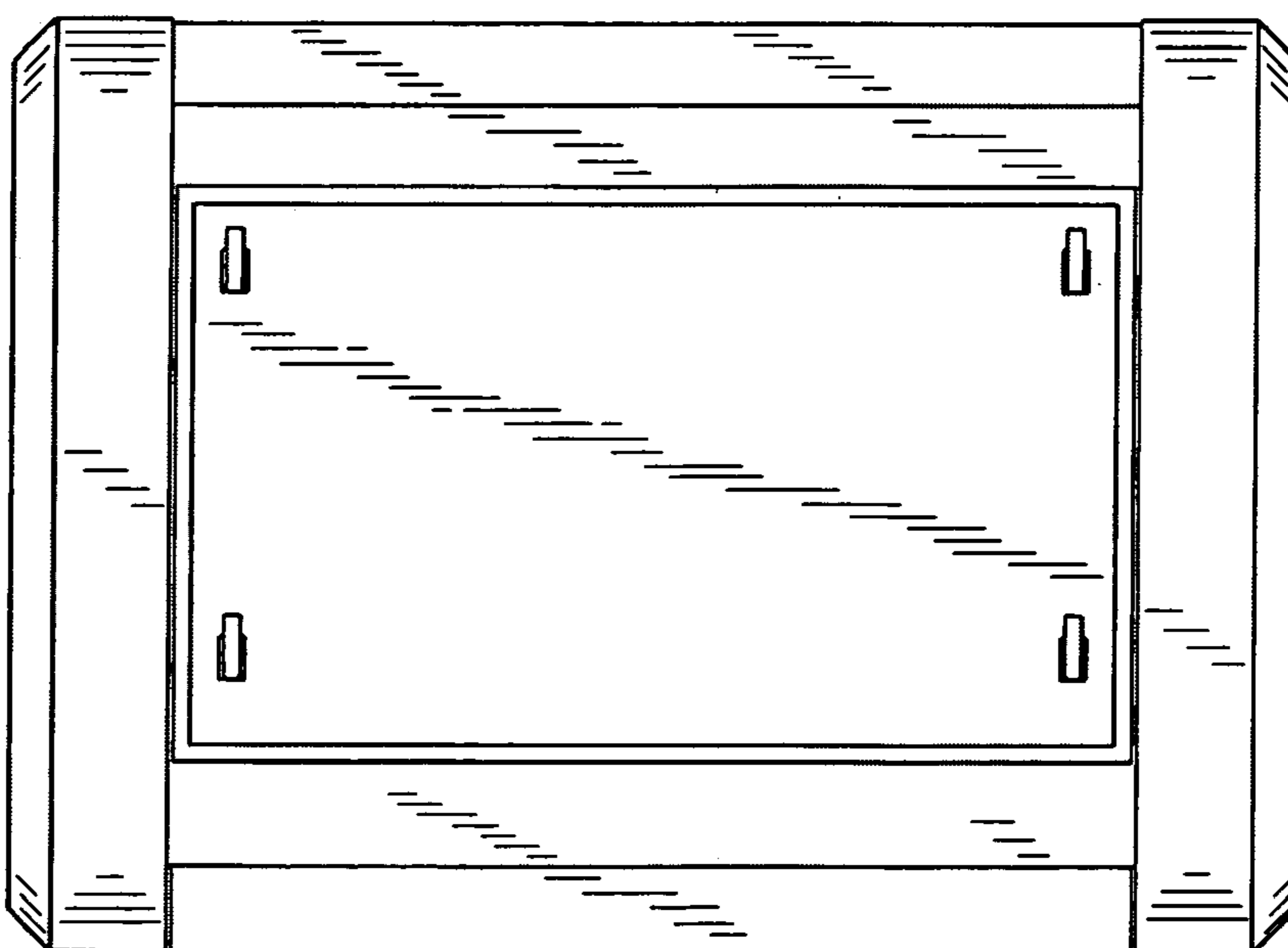


FIG. 6

