



US00D589537S

(12) **United States Design Patent**
Terada et al.

(10) **Patent No.:** **US D589,537 S**
(45) **Date of Patent:** **** Mar. 31, 2009**

(54) **COLD STORAGE SHOWCASE**
(75) Inventors: **Taiki Terada**, Osaka (JP); **Sou Kumazawa**, Osaka (JP)
(73) Assignee: **Sanyo Electric Co., Ltd.**, Osaka (JP)
(**) Term: **14 Years**

D440,432 S * 4/2001 Topper et al. D6/471
D515,595 S * 2/2006 Jorgensen D15/81
D515,596 S * 2/2006 Jorgensen D15/81
D516,591 S * 3/2006 Vanhoof D15/81
D522,023 S * 5/2006 Debontridder D15/81
D522,539 S * 6/2006 Debontridder D15/81
D538,308 S * 3/2007 Debontridder D15/83
D541,312 S * 4/2007 Arato D15/81

(21) Appl. No.: **29/309,388**
(22) Filed: **Aug. 7, 2008**

* cited by examiner

Primary Examiner—Stella M Reid
Assistant Examiner—Shanda C Hill
(74) *Attorney, Agent, or Firm*—Rabin & Berdo, PC

(30) **Foreign Application Priority Data**
Feb. 18, 2008 (JP) 2008-003459

(57) **CLAIM**

(51) **LOC (9) Cl.** **15-07**
(52) **U.S. Cl.** **D15/81; D15/83**
(58) **Field of Classification Search** D15/79,
D15/81, 83, 84; D6/396, 397, 432, 436,
D6/449, 470-472; 62/125, 126; 312/3.6,
312/116, 236, 400-406
See application file for complete search history.

The ornamental design for a cold storage showcase, as shown and described.

DESCRIPTION

(56) **References Cited**
U.S. PATENT DOCUMENTS

D147,622 S * 10/1947 Rideout D6/470
D209,722 S * 12/1967 Mangini D6/471
4,270,819 A * 6/1981 Ooho 312/116
D392,295 S * 3/1998 Johnson D15/81
D427,210 S * 6/2000 Tsukida D15/83

FIG. 1 is a perspective view of a cold storage showcase showing our new design;
FIG. 2 is a front elevation view thereof;
FIG. 3 is a rear elevation view thereof;
FIG. 4 is a top plan view thereof;
FIG. 5 is a bottom plan view thereof; and,
FIG. 6 is a left side view thereof, a right side view thereof being a mirror image.

1 Claim, 5 Drawing Sheets

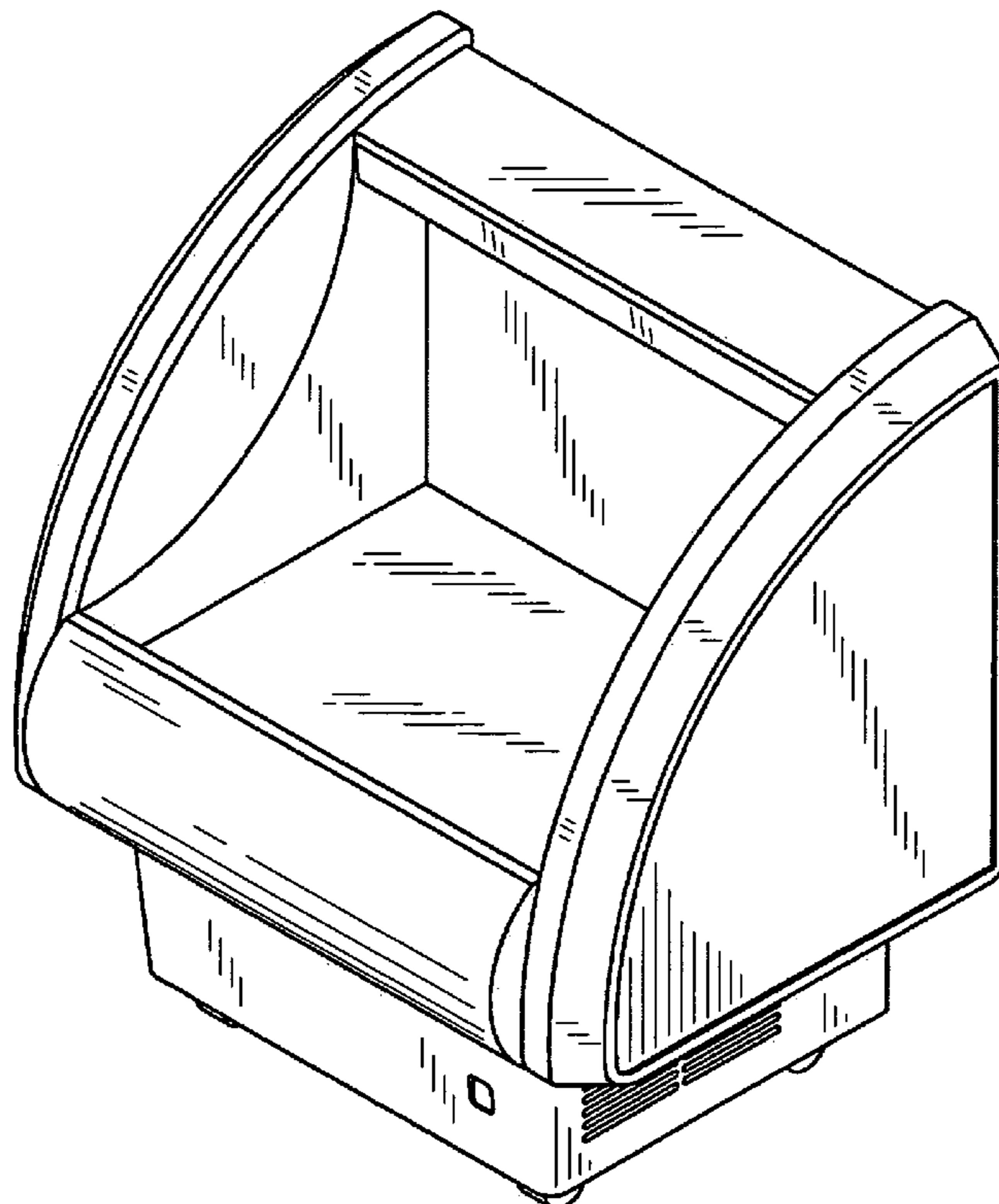


FIG. 1

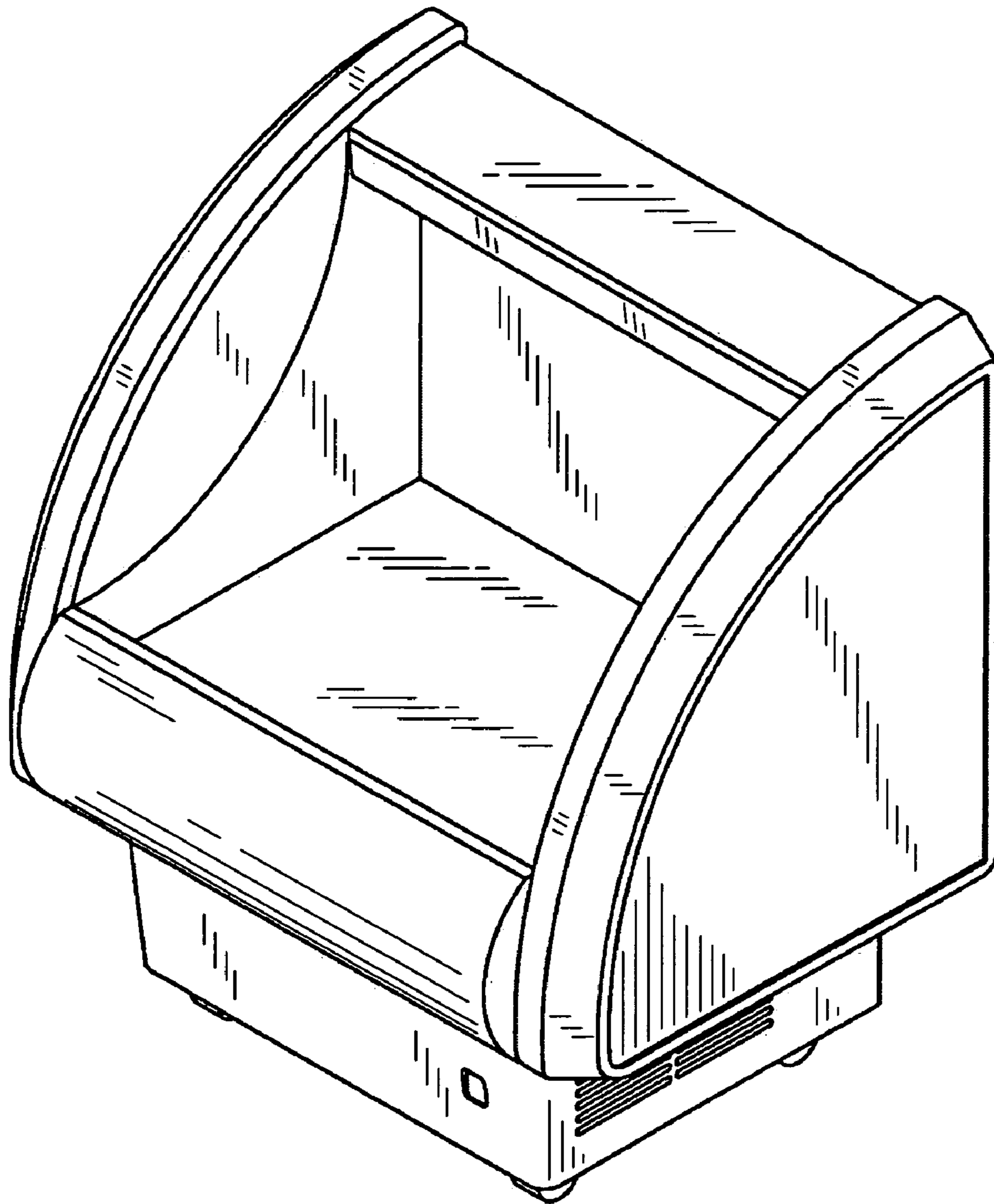


FIG. 2

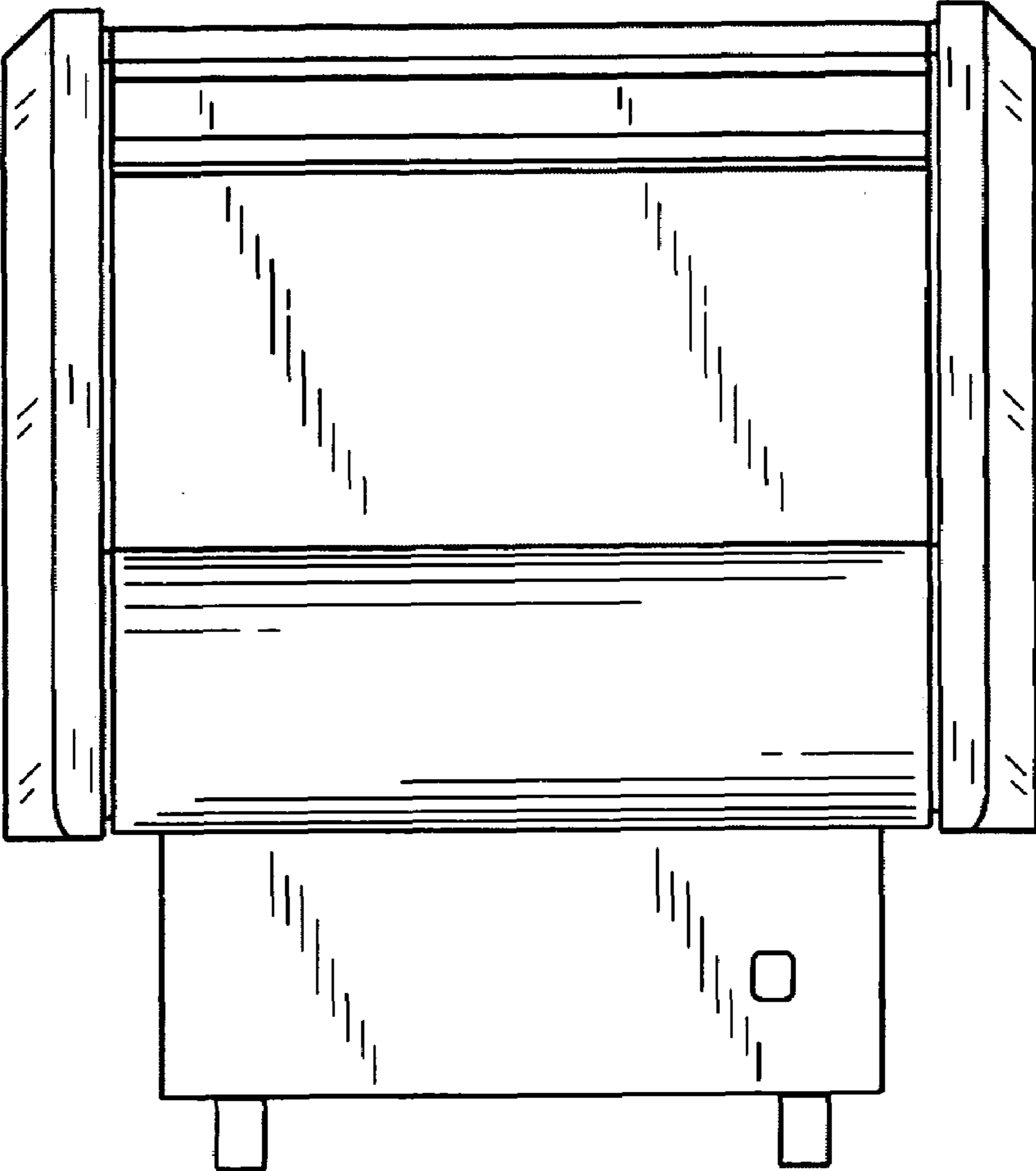


FIG. 3

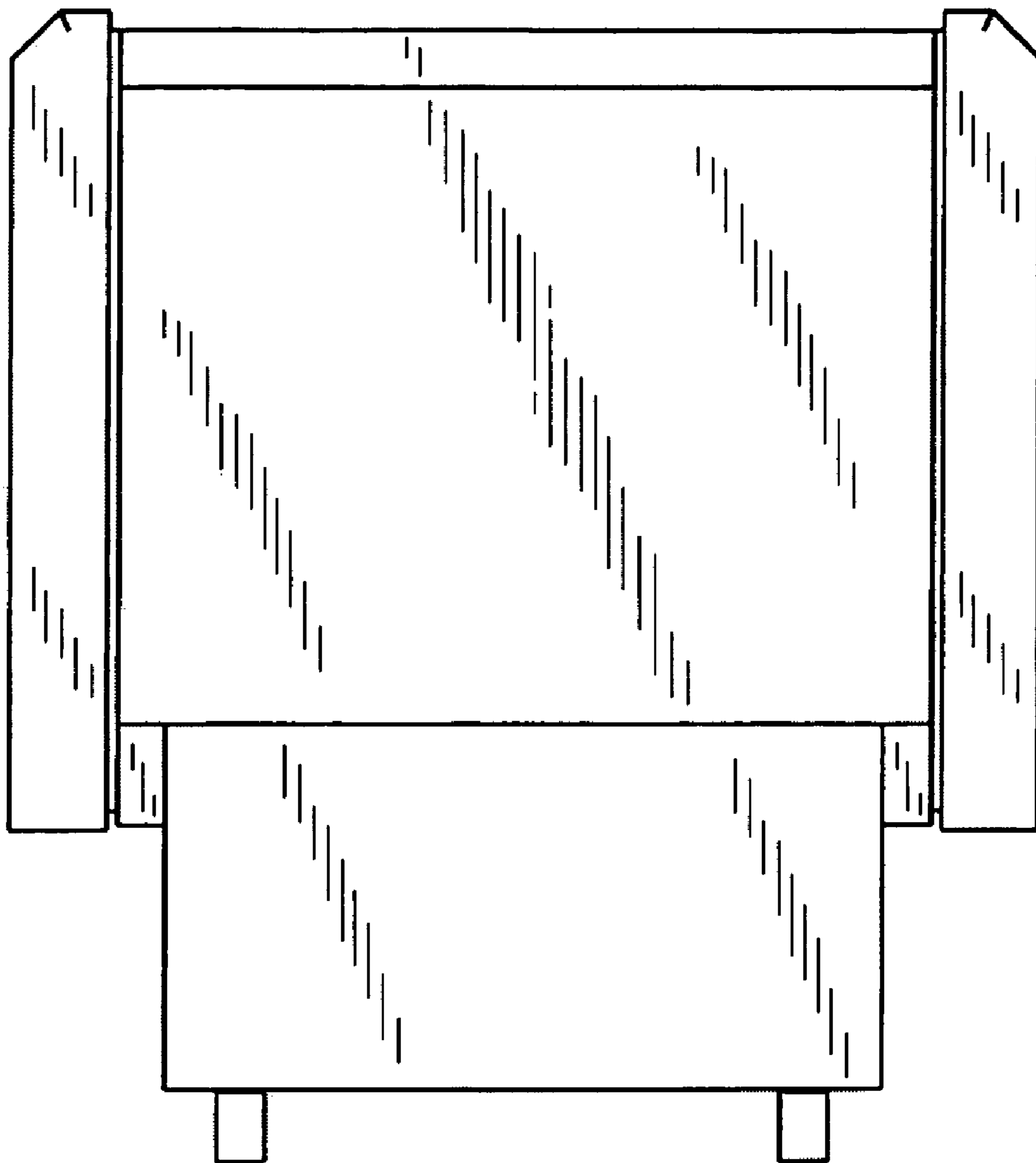


FIG. 4

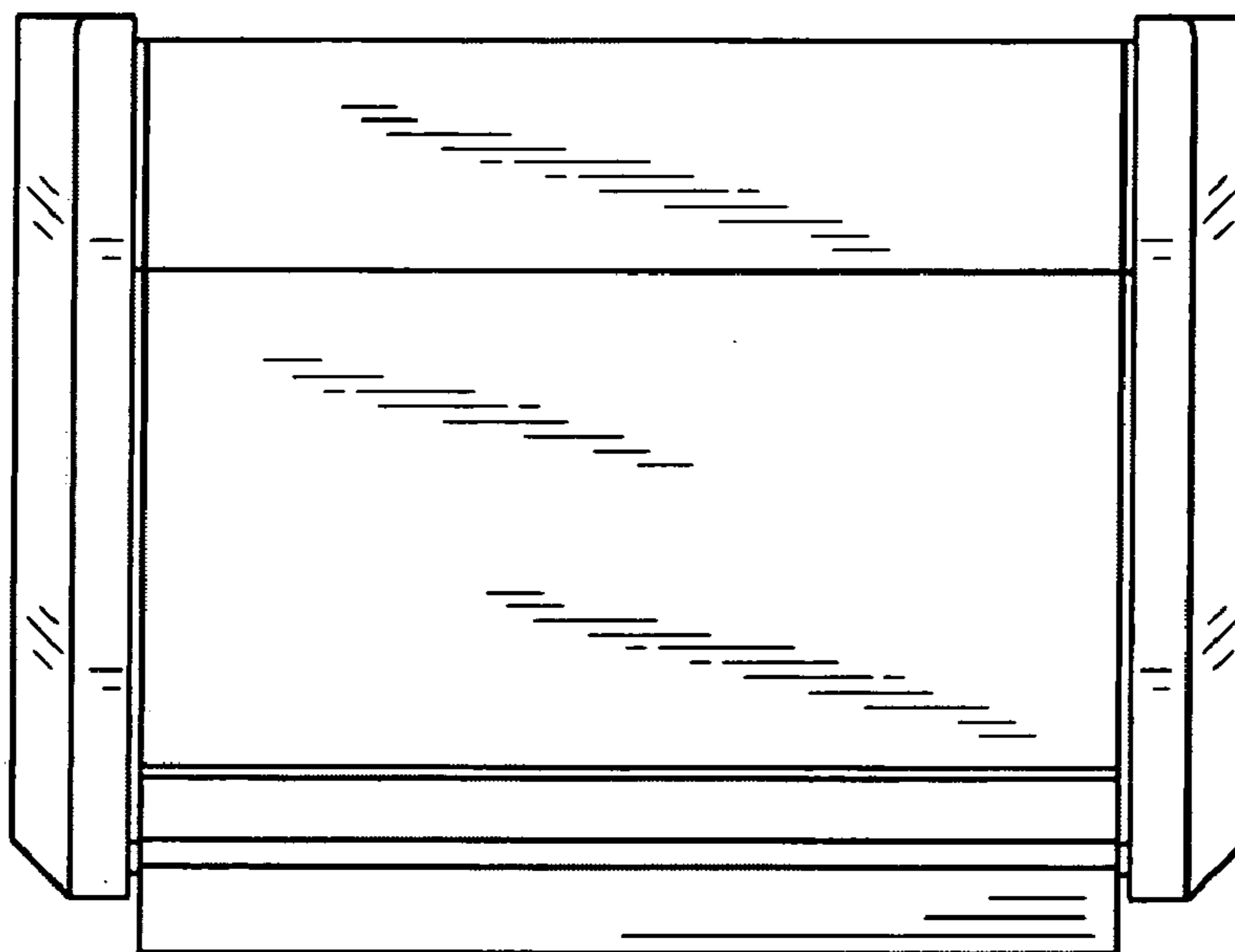


FIG. 5

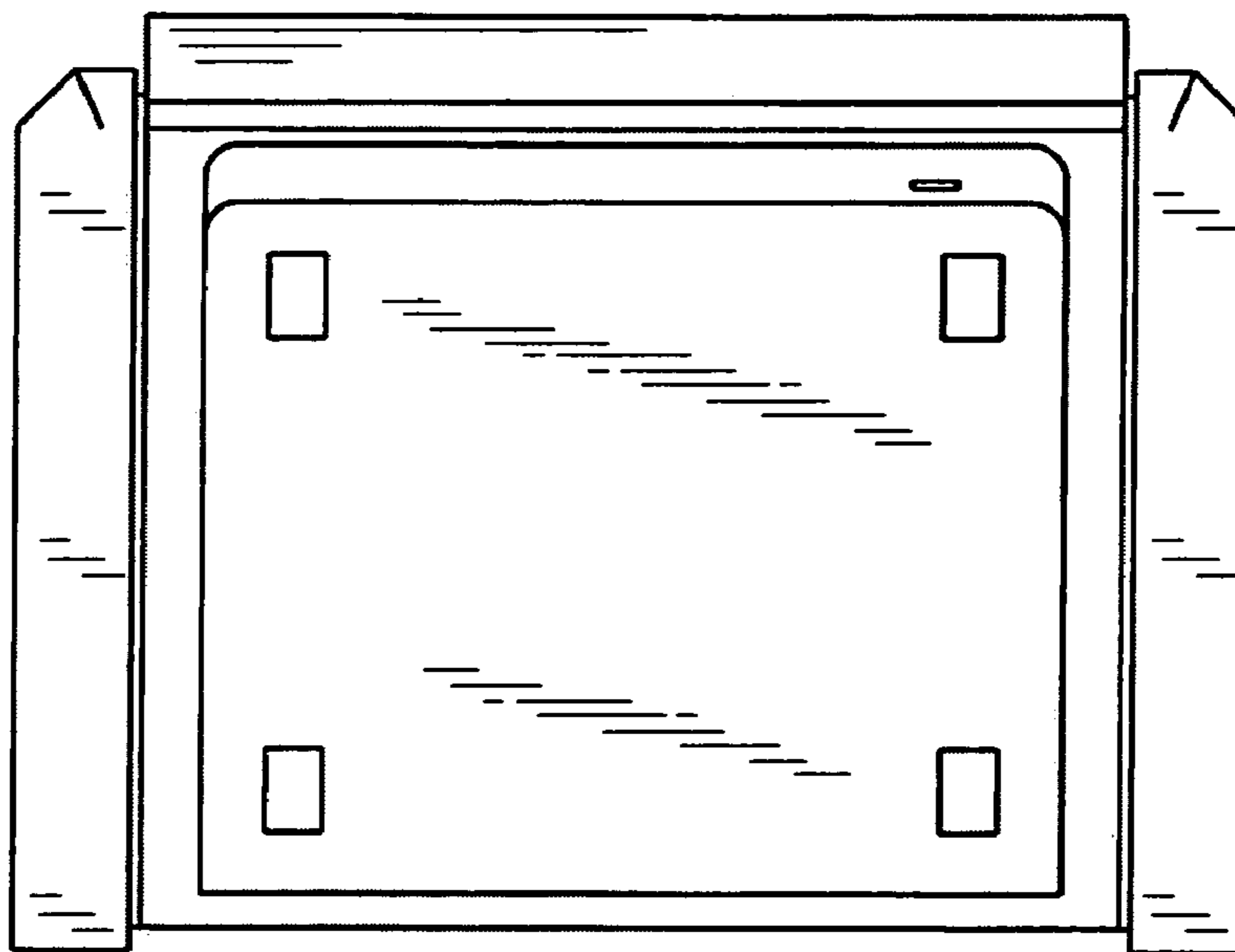


FIG. 6

