



US00D589535S

(12) **United States Design Patent**
Leasure et al.

(10) **Patent No.:** **US D589,535 S**
(45) **Date of Patent:** **** Mar. 31, 2009**

(54) **AIR COMPRESSOR**

(75) Inventors: **Jeremy D. Leasure**, Jackson, TN (US);
Mark A. Etter, Independence, MO
(US); **Robert P. Welsh**, Phoenix, MD
(US); **Stephen J. Vos**, Jackson, TN (US)

(73) Assignee: **Black & Decker Inc.**, Newark, DE (US)

(**) Term: **14 Years**

(21) Appl. No.: **29/324,211**

(22) Filed: **Sep. 9, 2008**

Related U.S. Application Data

(63) Continuation-in-part of application No. 29/275,824,
filed on Jan. 8, 2007, now Pat. No. Des. 579,462, which
is a continuation-in-part of application No. 29/237,
451, filed on Aug. 31, 2005, now abandoned.

(51) **LOC (9) Cl.** **15-02**

(52) **U.S. Cl.** **D15/9**

(58) **Field of Classification Search** D15/7-9;
D23/231, 232, 225; 417/410.1, 359, 415-416,
417/234, 321, 265, 405
See application file for complete search history.

(56) **References Cited**

U.S. PATENT DOCUMENTS

D293,585 S * 1/1988 Morgan D15/9

D352,293 S * 11/1994 Morgan D15/9
D352,294 S * 11/1994 Morgan D15/9
D534,926 S * 1/2007 Beecham D15/9
D557,710 S * 12/2007 Sharp D15/9
D579,462 S * 10/2008 Leasure et al. D15/7

* cited by examiner

Primary Examiner—R. Seifert

(74) *Attorney, Agent, or Firm*—Rhonda L. Barton; Michael P.
Leary

(57) **CLAIM**

The ornamental design for an air compressor, as shown and
described.

DESCRIPTION

FIG. 1 is a right/front perspective view of an air compressor
showing our new design.

FIG. 2 is a front view thereof.

FIG. 3 is a rear view thereof.

FIG. 4 is a right side view thereof.

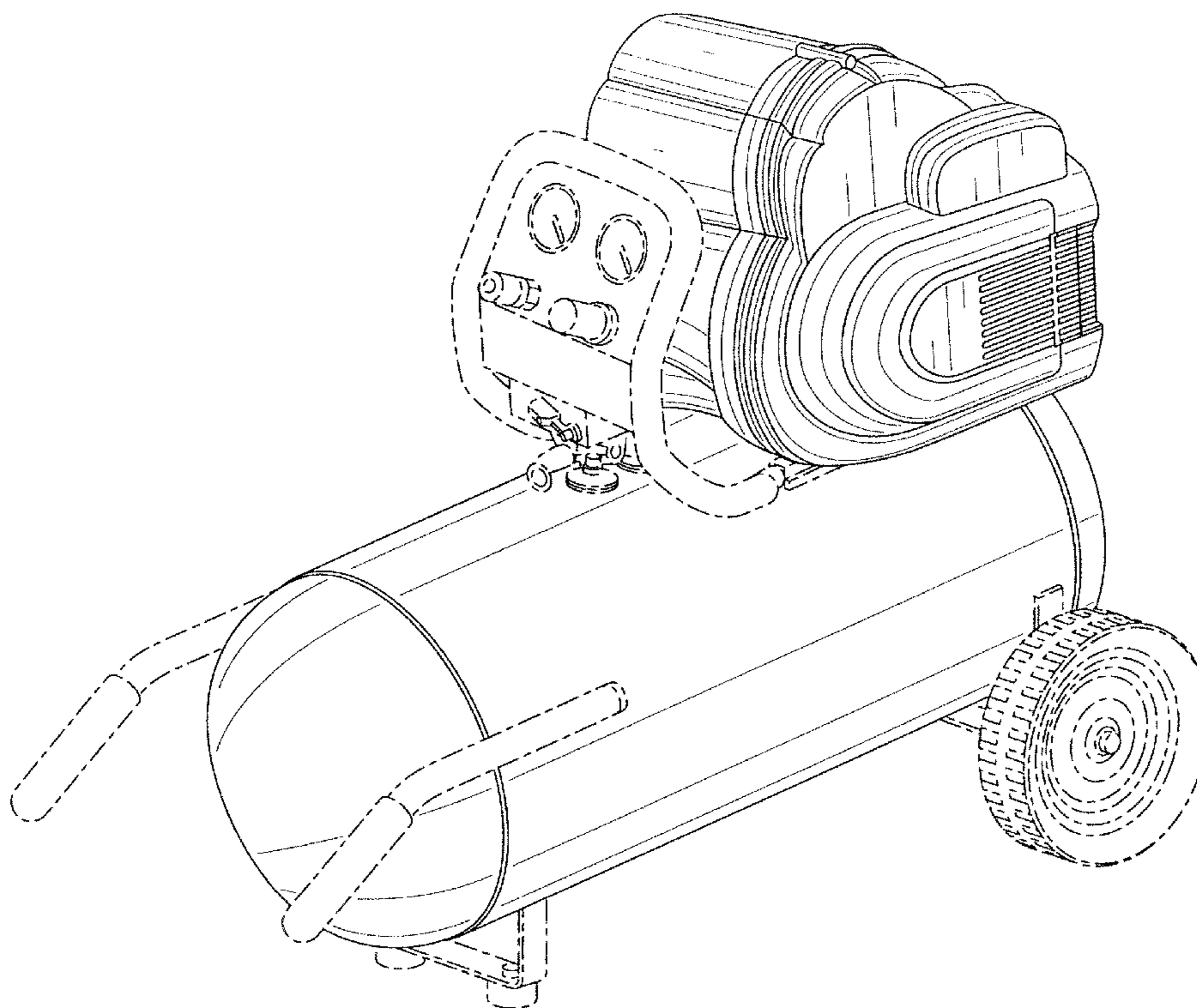
FIG. 5 is a left side view thereof.

FIG. 6 is a top view thereof; and,

FIG. 7 is a bottom view thereof.

The broken lines and the areas within the broken lines form no
part of the claimed ornamental design.

1 Claim, 7 Drawing Sheets



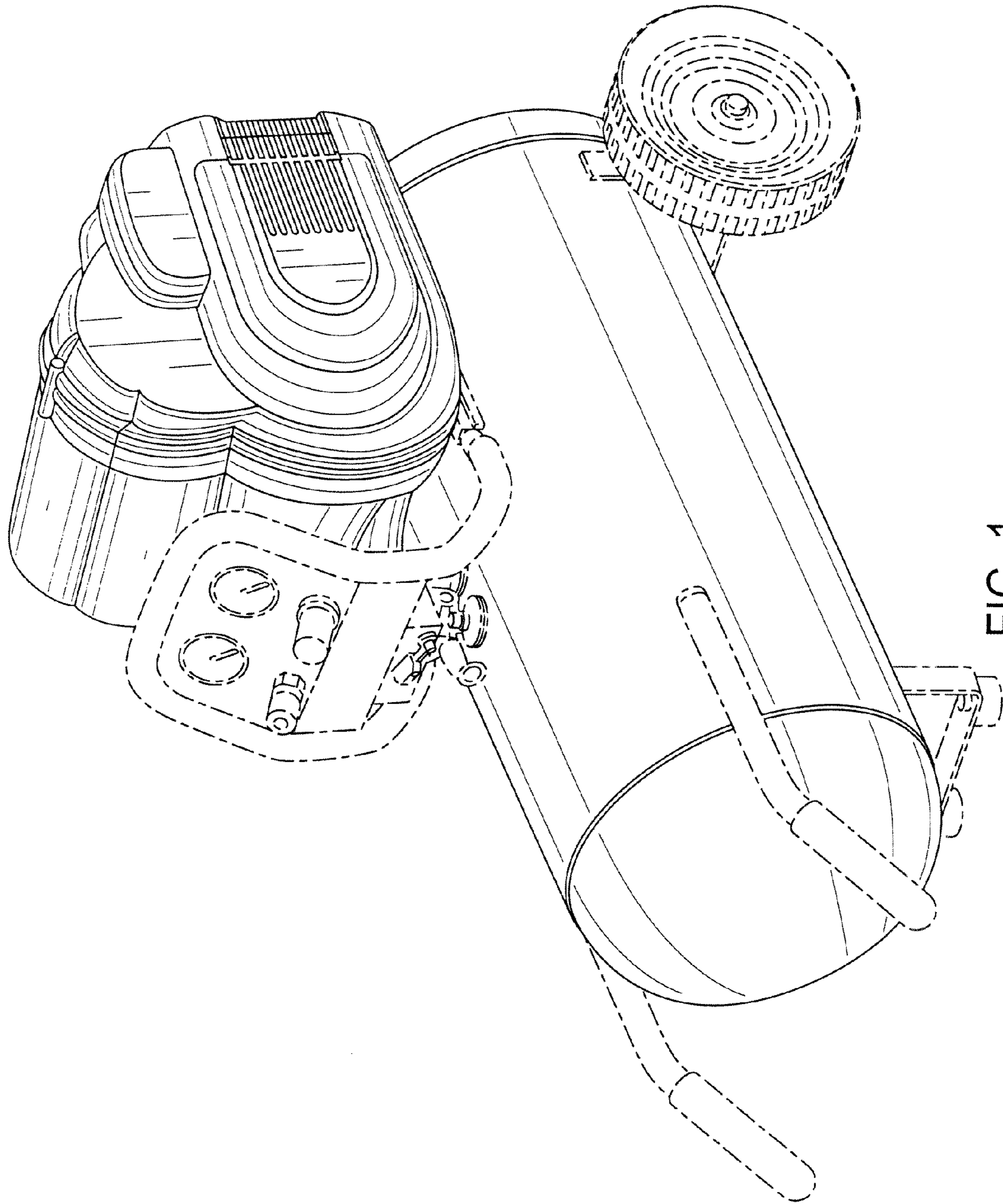


FIG. 1

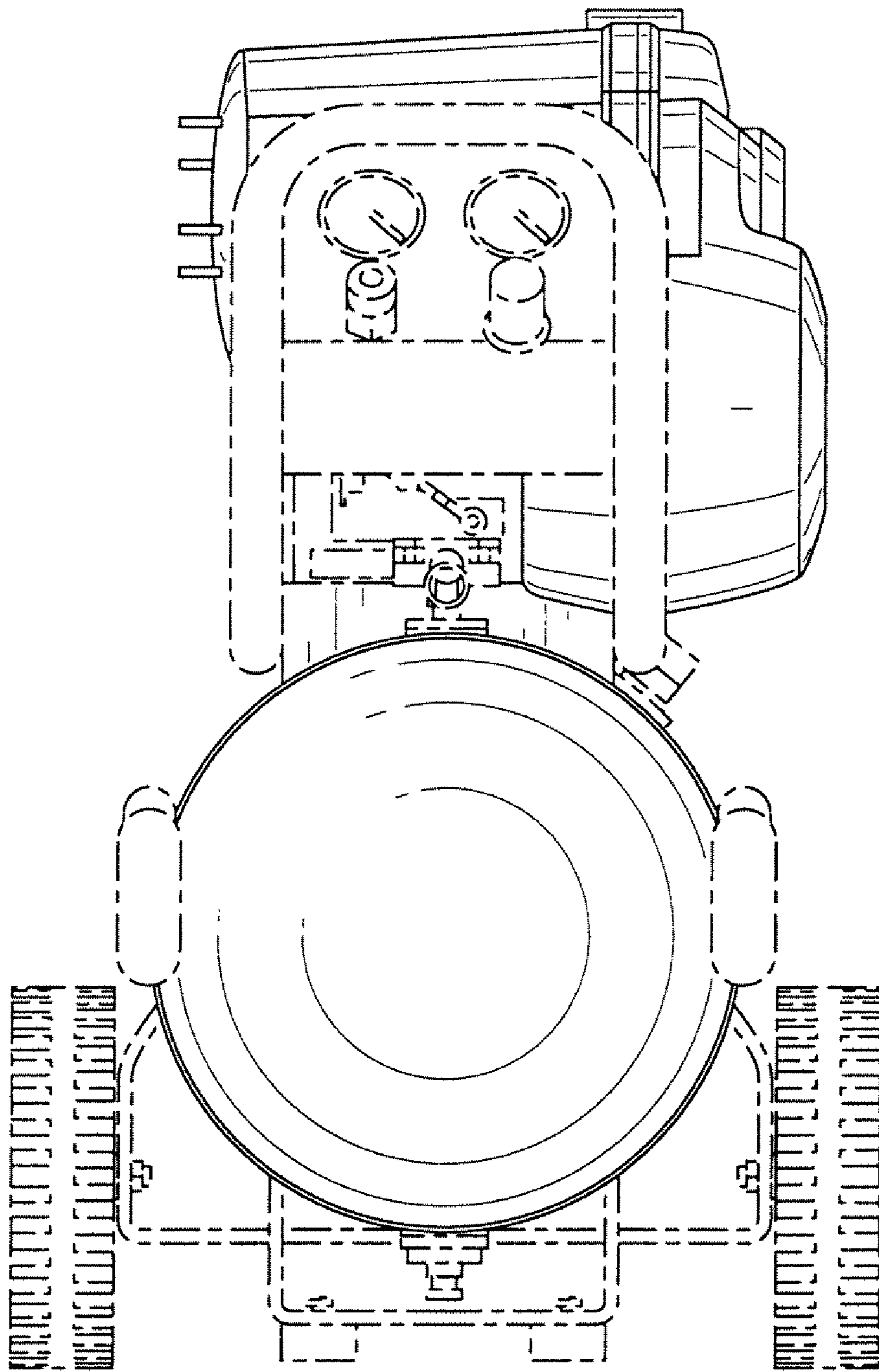


FIG. 2

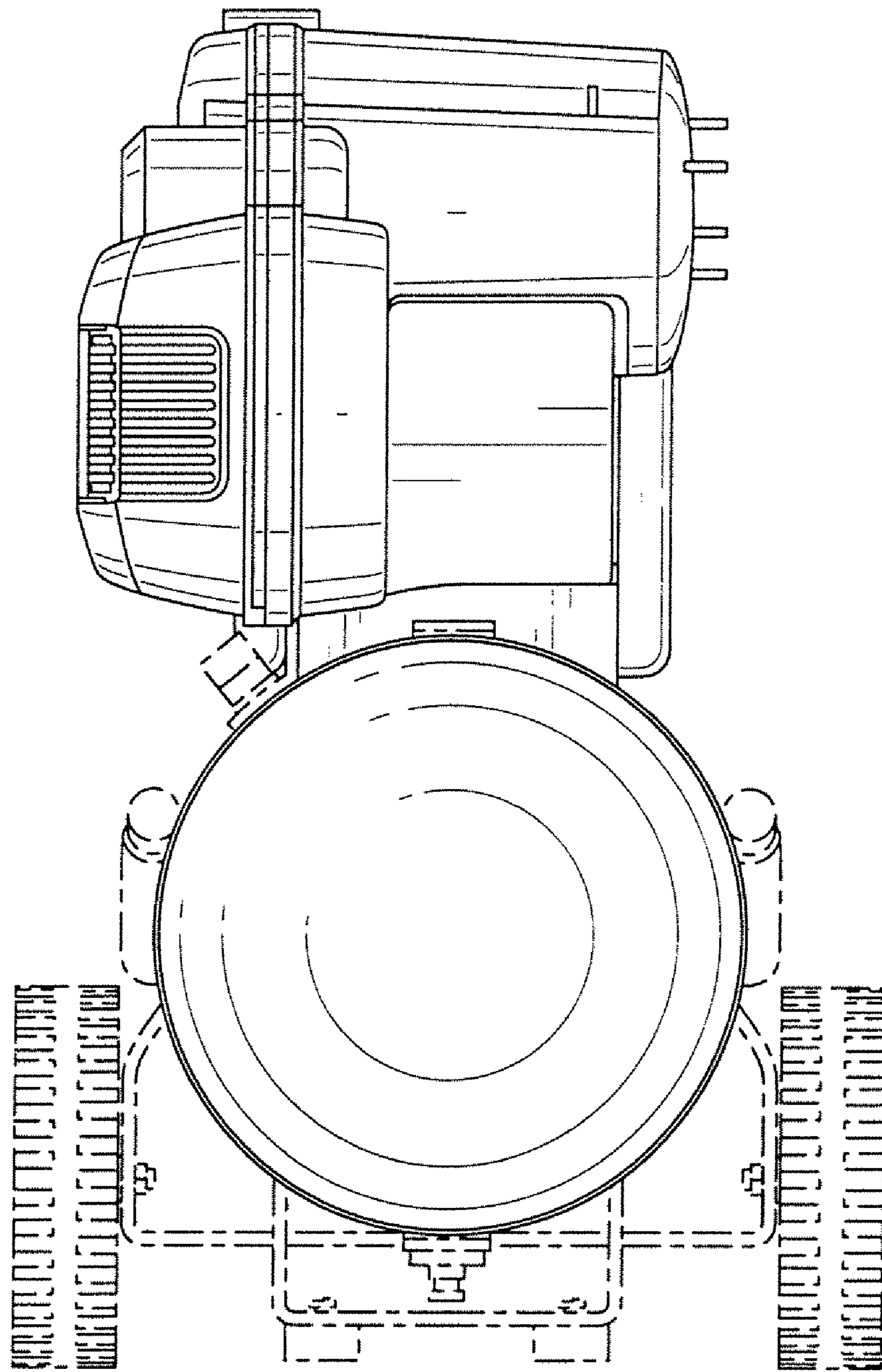


FIG. 3

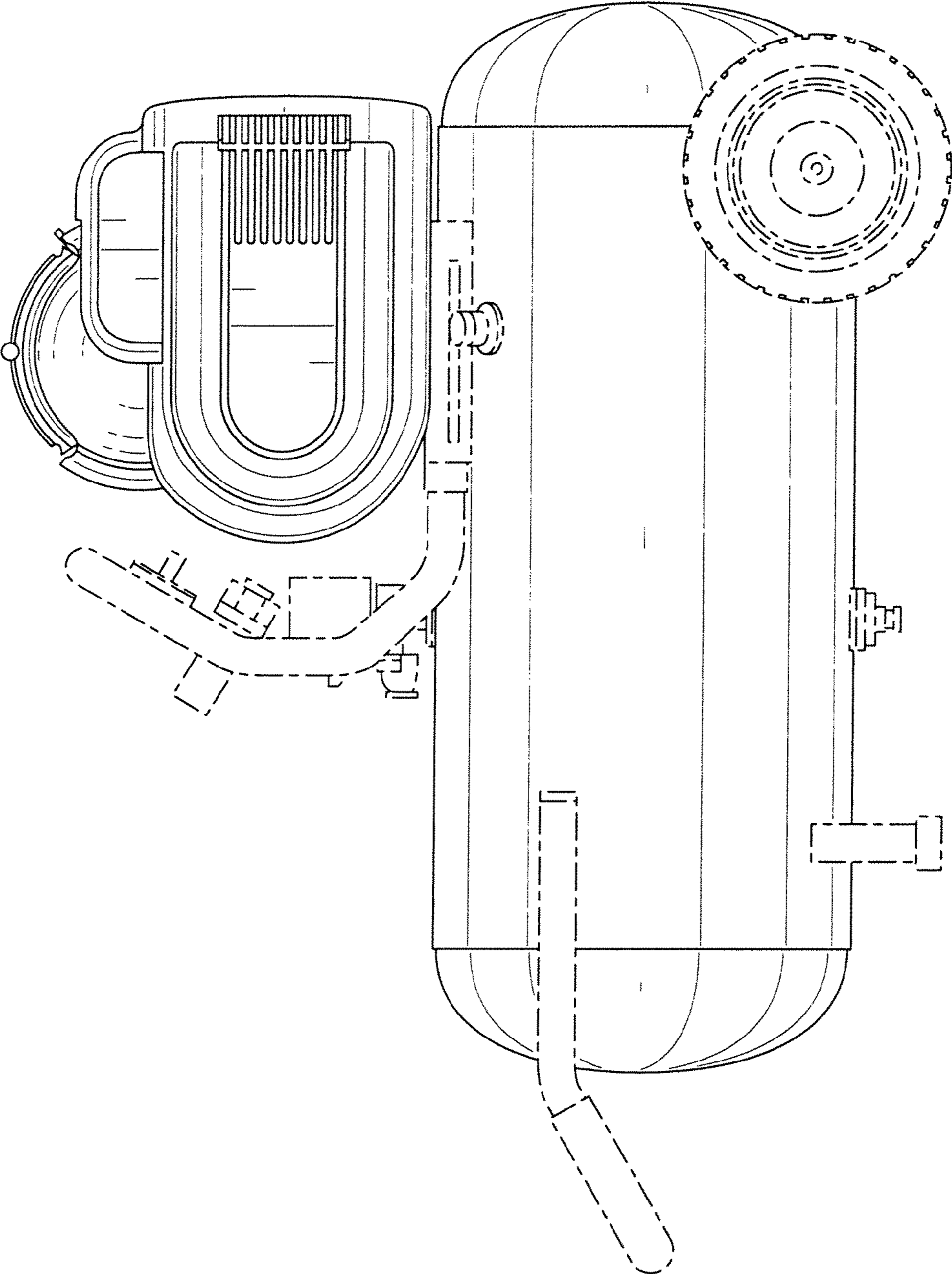


FIG. 4

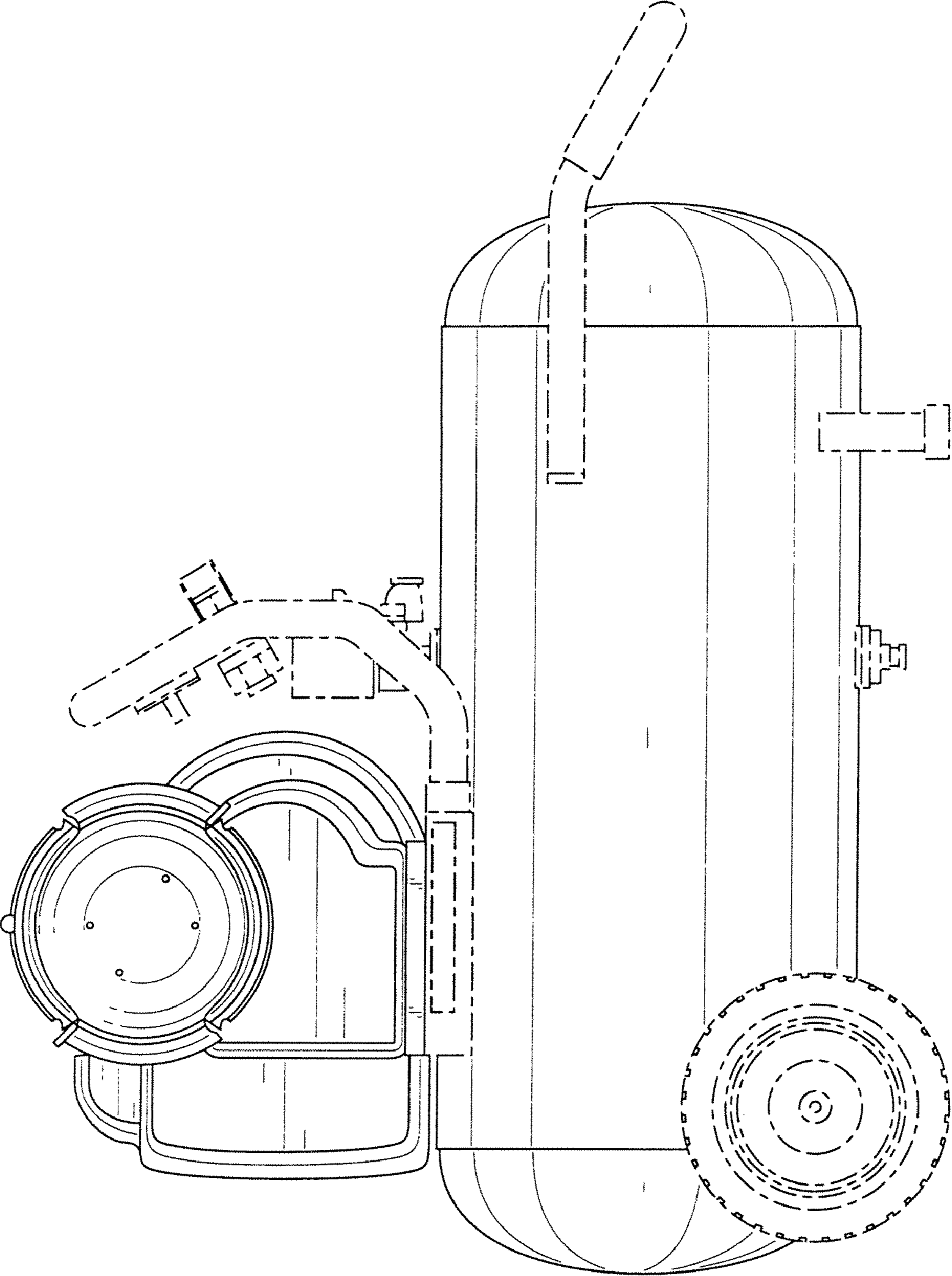


FIG. 5

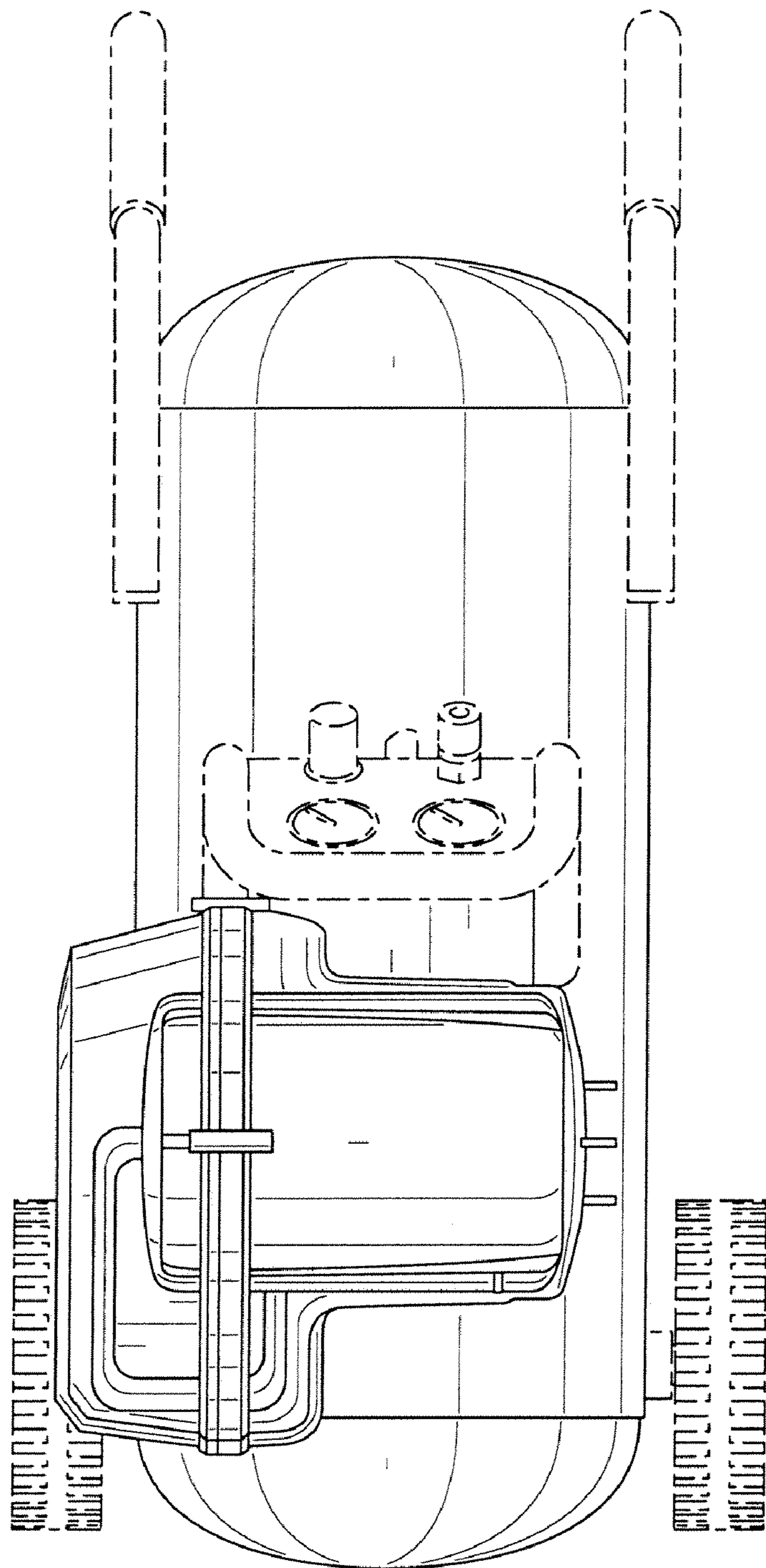


FIG. 6

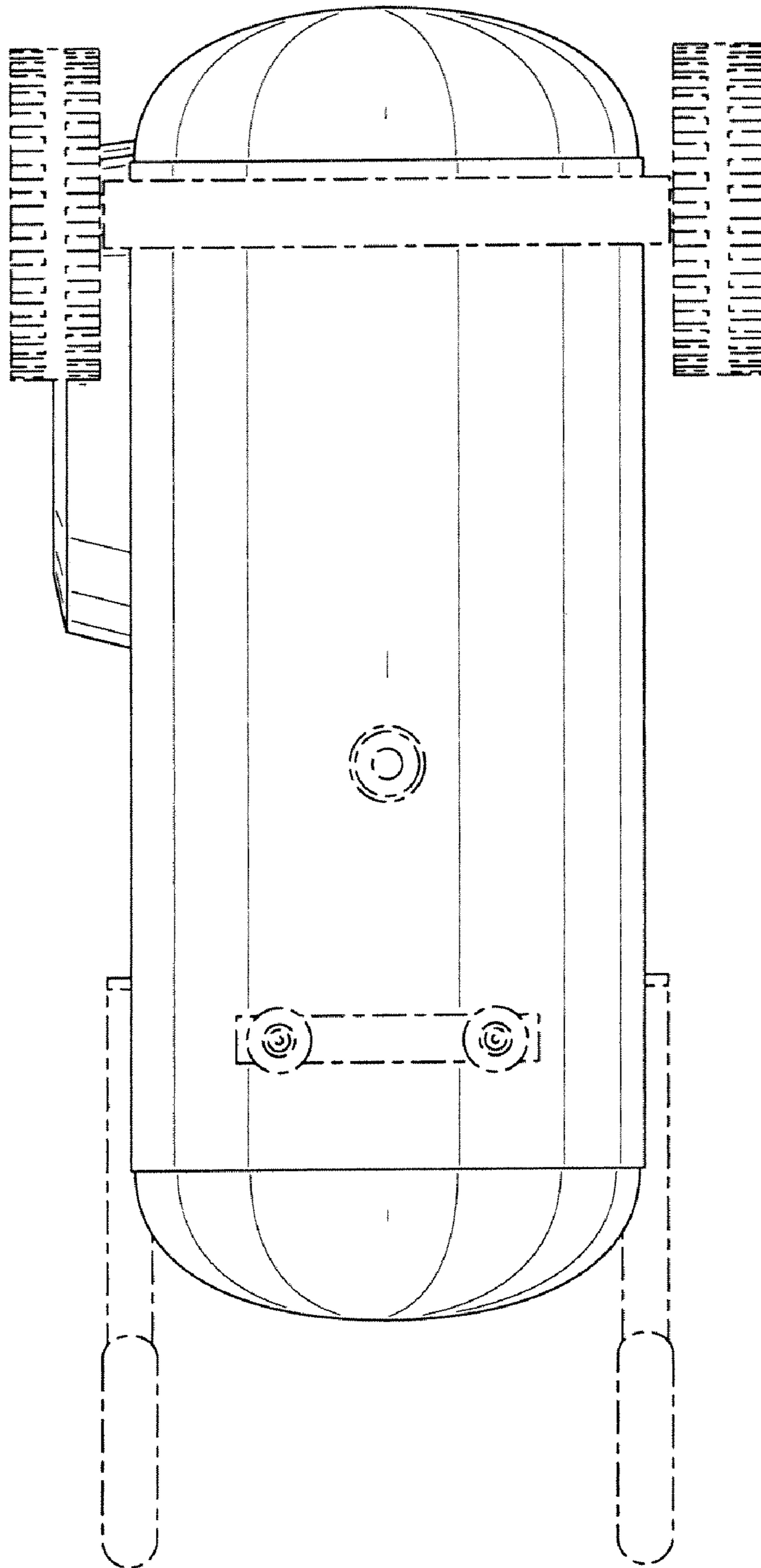


FIG. 7