



US00D589534S

(12) **United States Design Patent**
Chu

(10) **Patent No.:** **US D589,534 S**
(45) **Date of Patent:** **** Mar. 31, 2009**

(54) **CAP FOR AIR COMPRESSOR**

D575,802 S * 8/2008 Chu D15/9

(76) Inventor: **Henry C. Chu**, 133N. Lemon St.,
Orange, CA (US) 92866

* cited by examiner

Primary Examiner—R. Seifert

(74) *Attorney, Agent, or Firm*—Charles E. Baxley

(**) Term: **14 Years**

(21) Appl. No.: **29/308,247**

(57) **CLAIM**

(22) Filed: **Jun. 5, 2008**

The ornamental design for a cap for air compressor, as shown and described.

(51) **LOC (9) Cl.** **15-02**

DESCRIPTION

(52) **U.S. Cl.** **D15/9**

(58) **Field of Classification Search** D15/7-9;
D23/231, 232, 225; 417/410.1, 359, 415-416,
417/234, 321, 265, 405

FIG. 1 is a front perspective view of a cap for air compressor showing my new design;

FIG. 2 is a front elevational view thereof;

FIG. 3 is a rear elevational view thereof;

See application file for complete search history.

FIG. 4 is a top plan view thereof;

FIG. 5 is a bottom plan view thereof;

FIG. 6 is a left side elevational view thereof;

(56) **References Cited**

U.S. PATENT DOCUMENTS

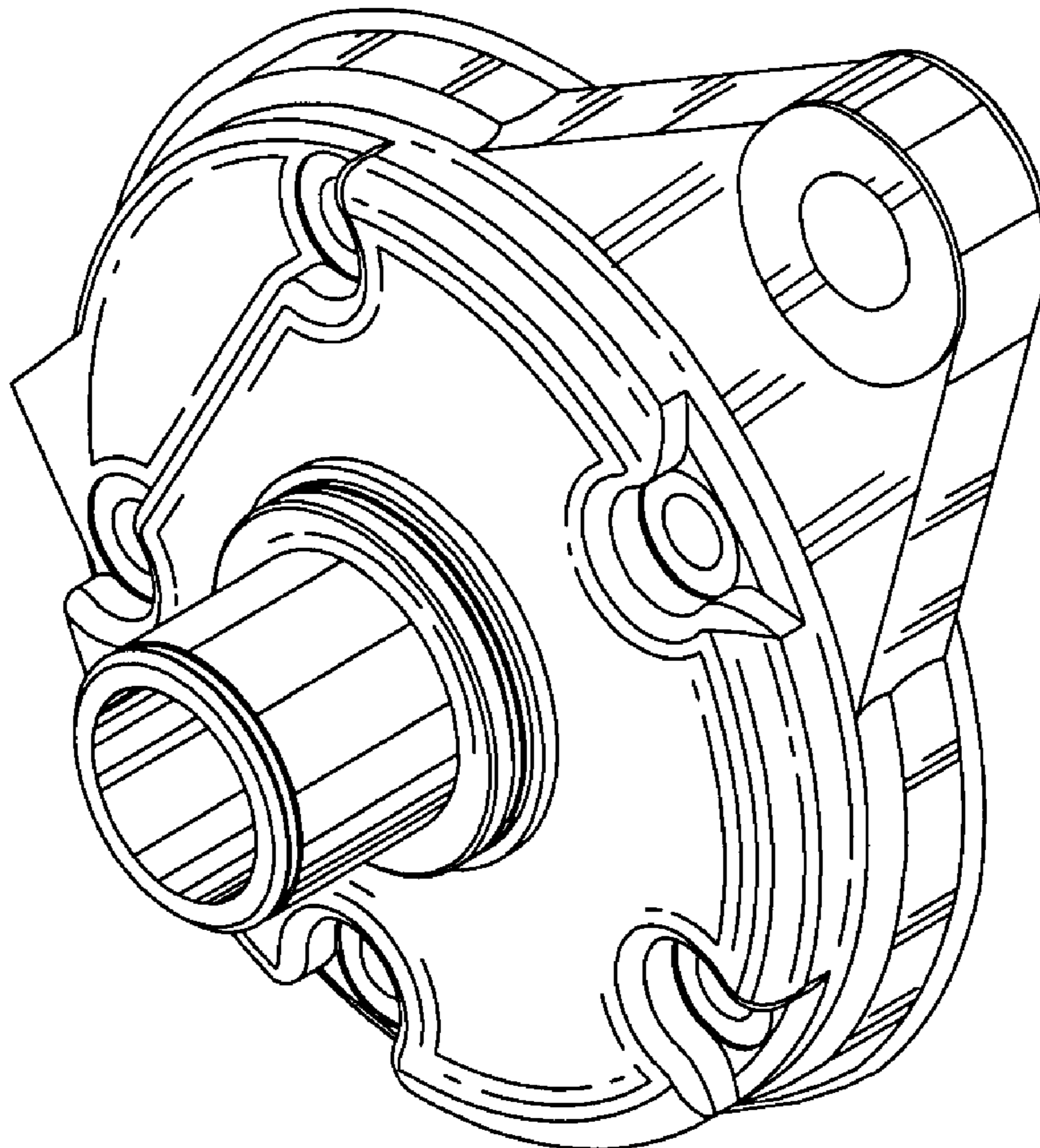
D529,049 S *	9/2006	Chu	D15/9
D529,050 S *	9/2006	Chu	D15/9
D555,670 S *	11/2007	Hwang	D15/9
D556,783 S *	12/2007	Chu	D15/9
D556,785 S *	12/2007	Chu	D15/9
D557,287 S *	12/2007	Chu	D15/9
D574,854 S *	8/2008	Chu	D15/9
D574,855 S *	8/2008	Chu	D15/9
D574,858 S *	8/2008	Chu	D15/9

FIG. 7 is a right side elevational view thereof;

FIG. 8 is a rear elevational view thereof; and,

FIG. 9 is a rear elevational view thereof, the bulges depicted by means of broken lines being for illustrative purposes only and forming no part of the claimed design.

1 Claim, 5 Drawing Sheets



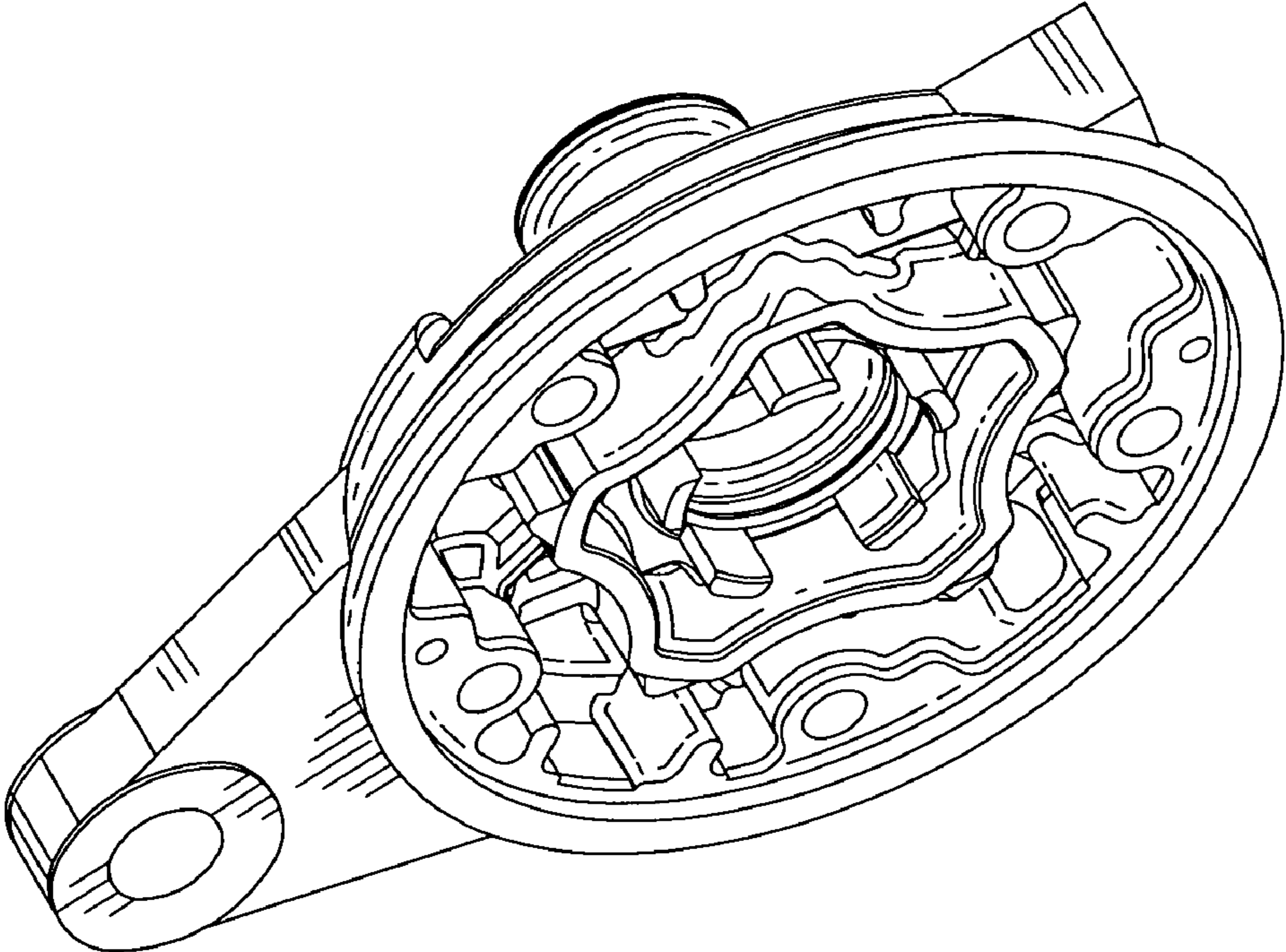


FIG. 1

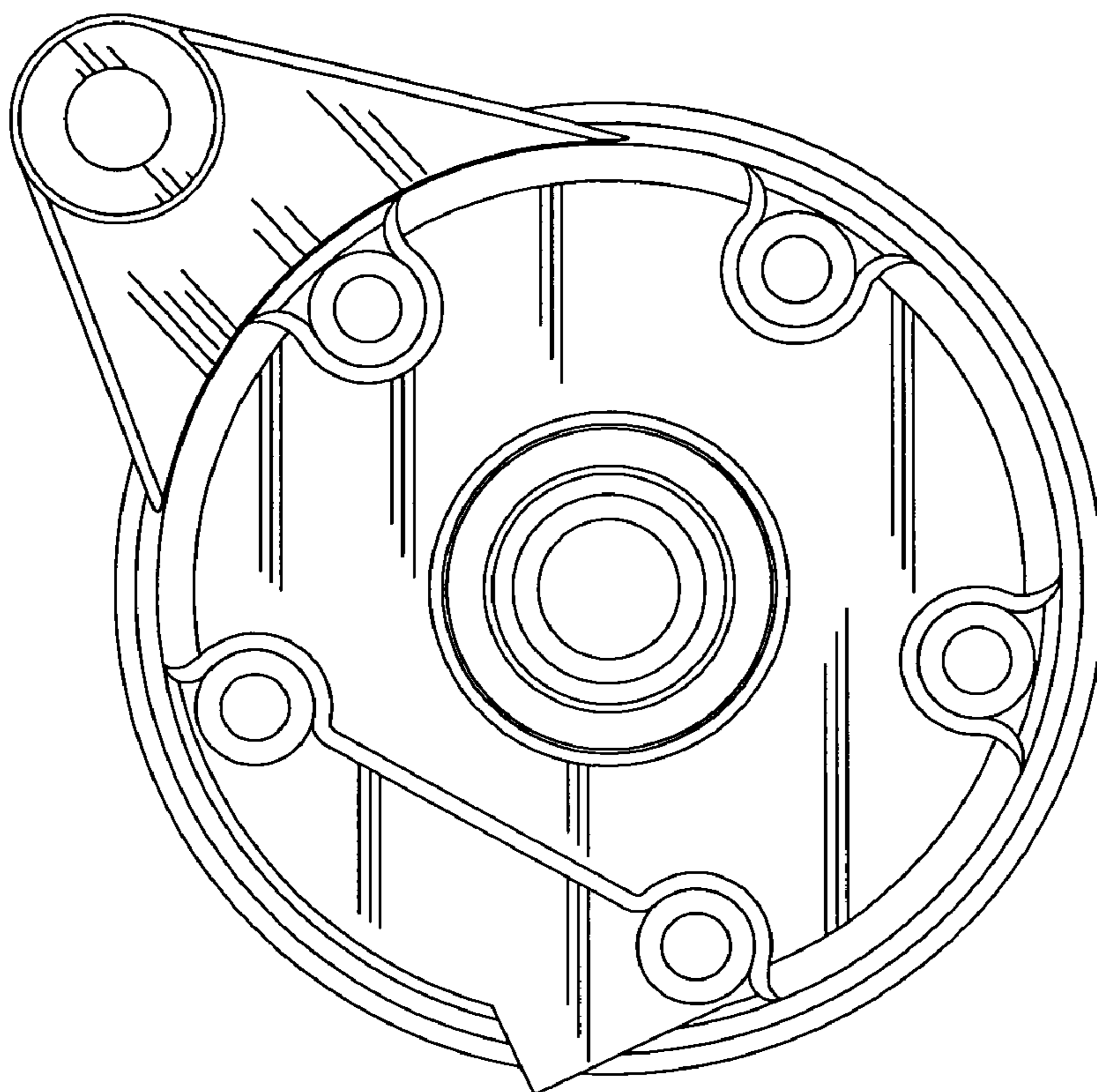


FIG. 3

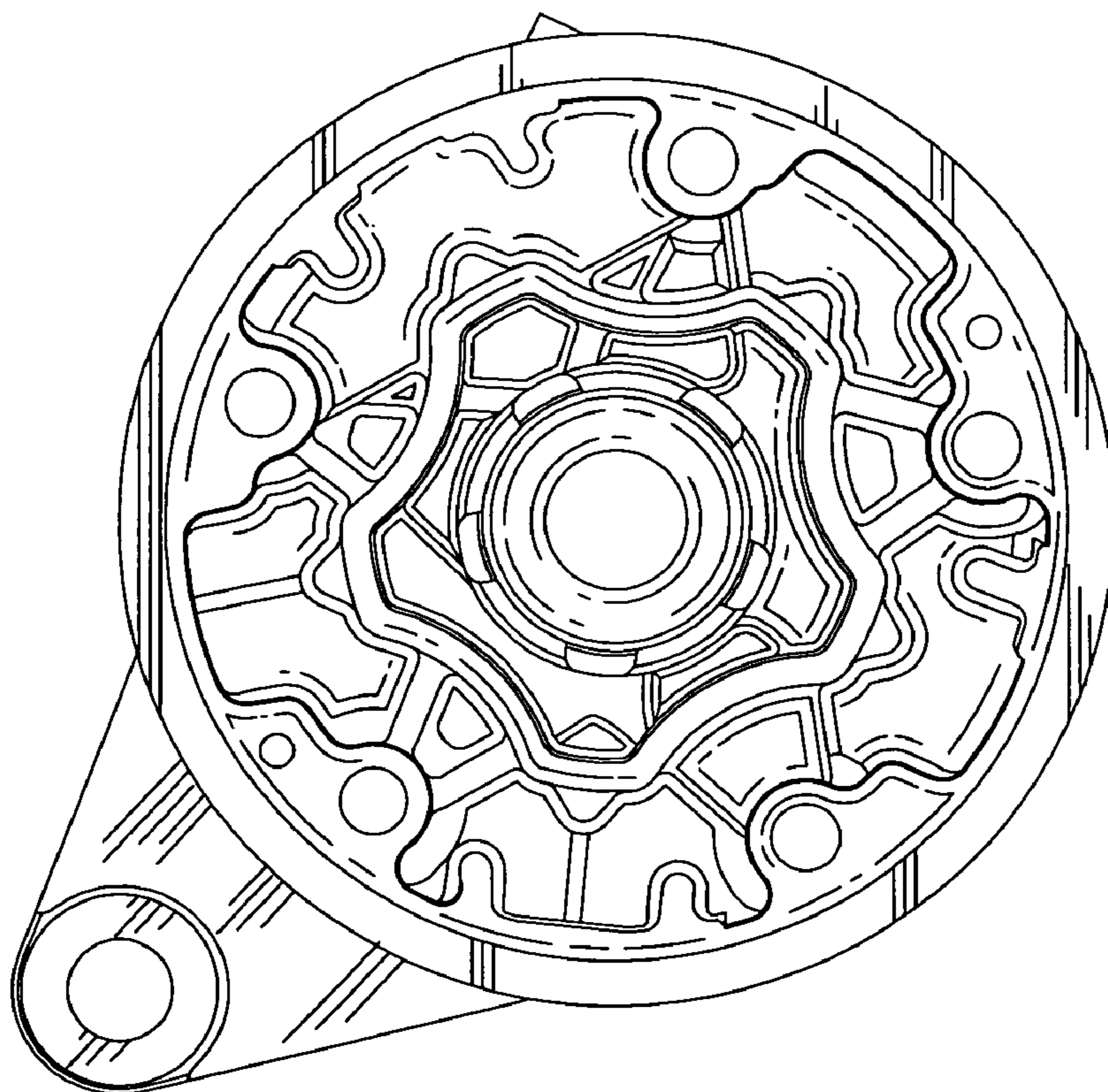


FIG. 2

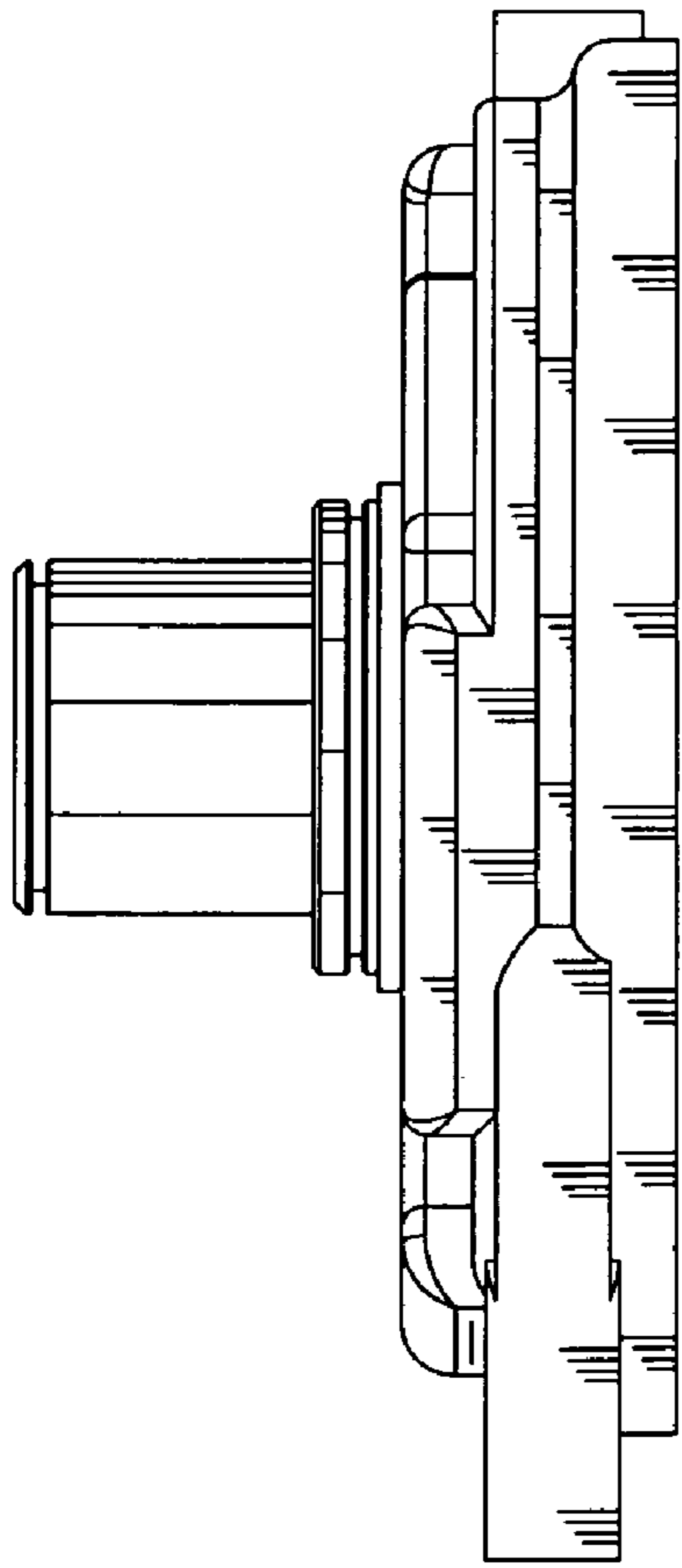


FIG. 4

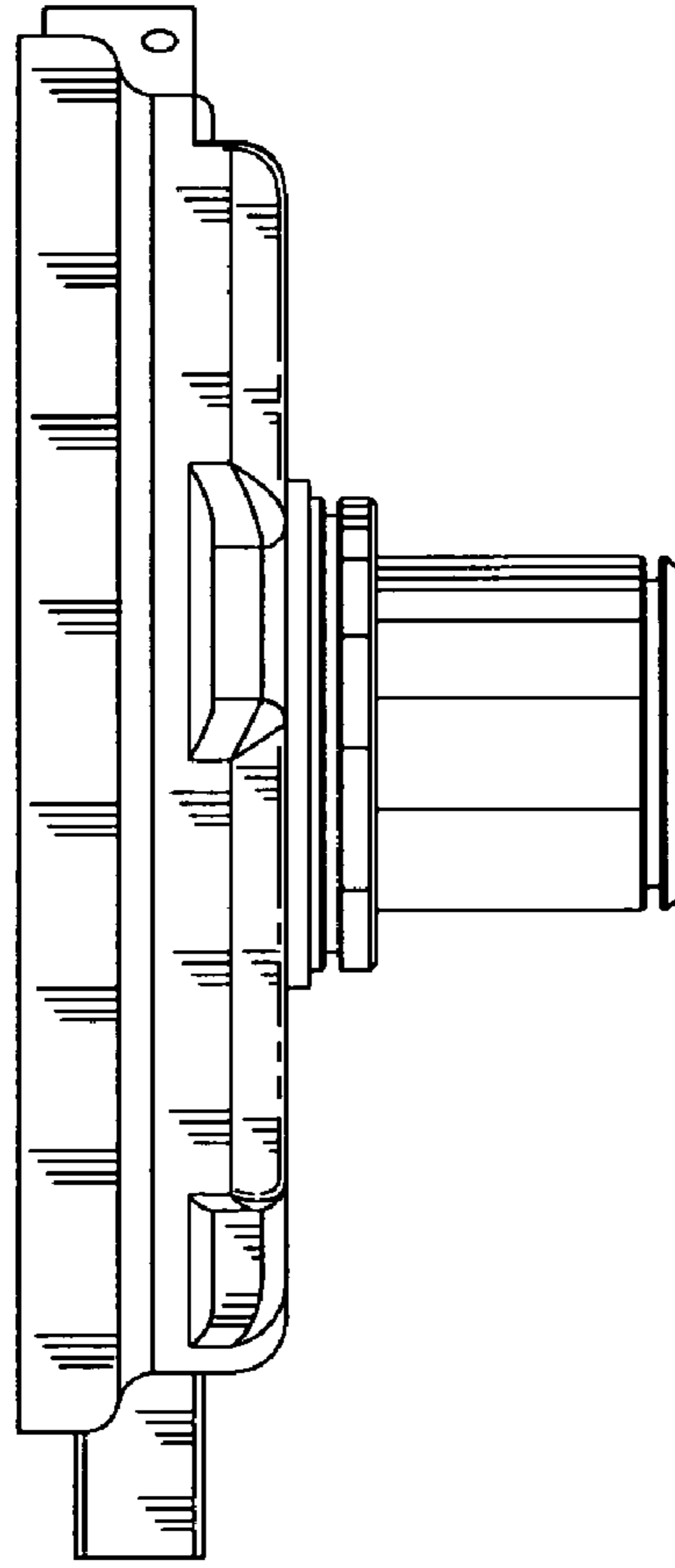


FIG. 5

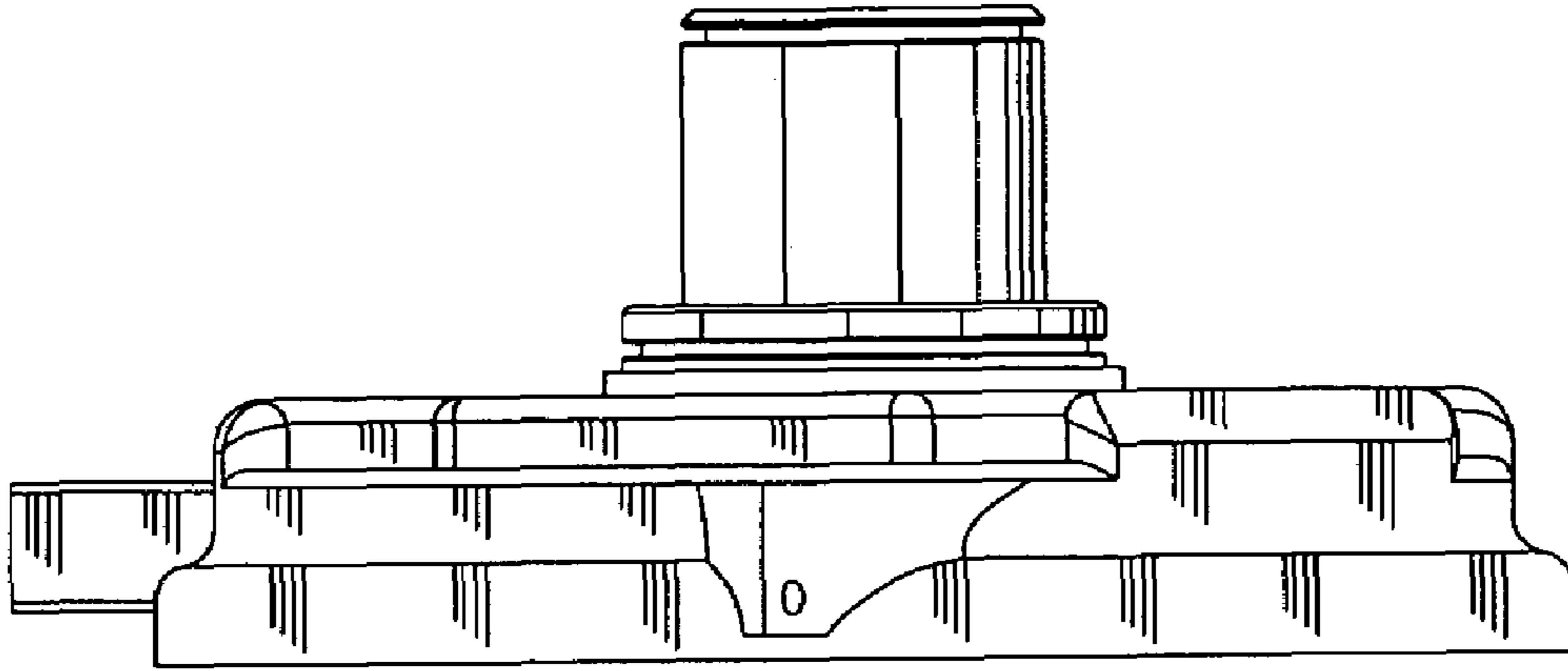


FIG. 7

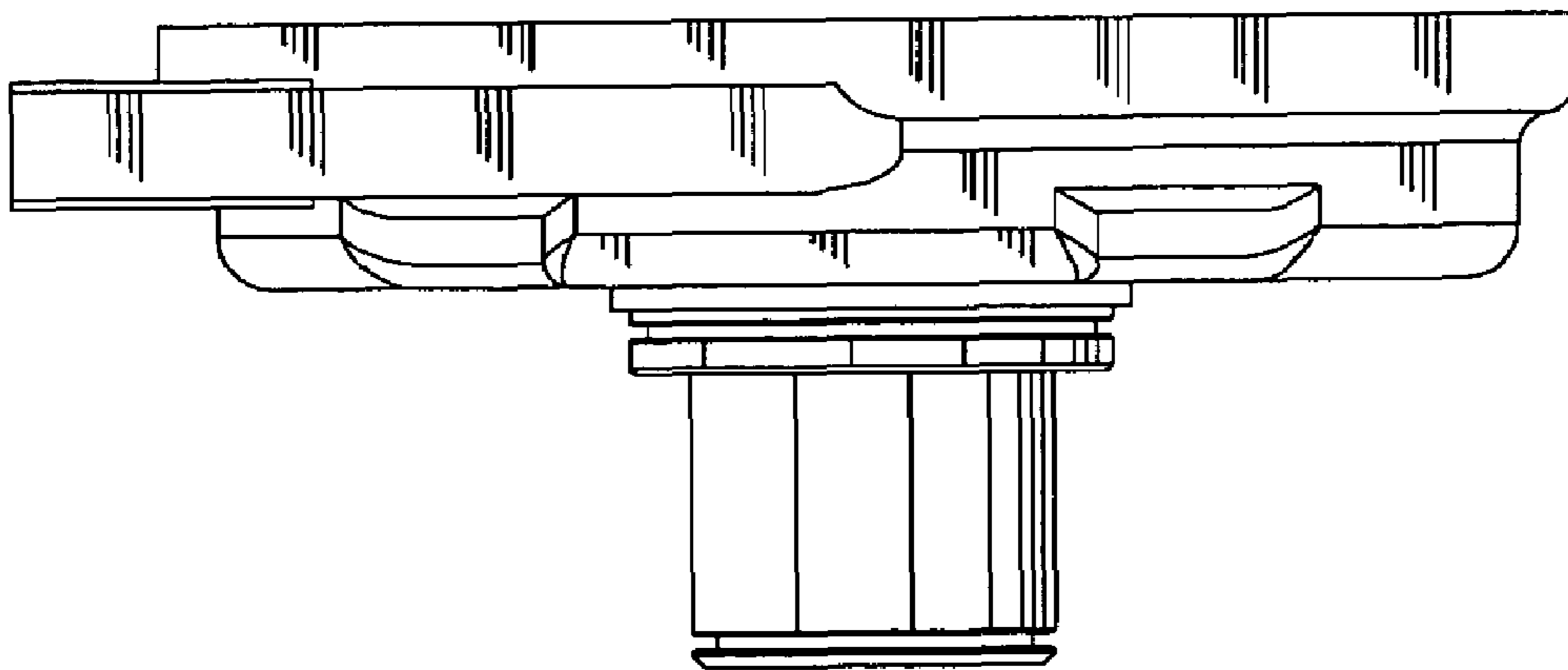


FIG. 6

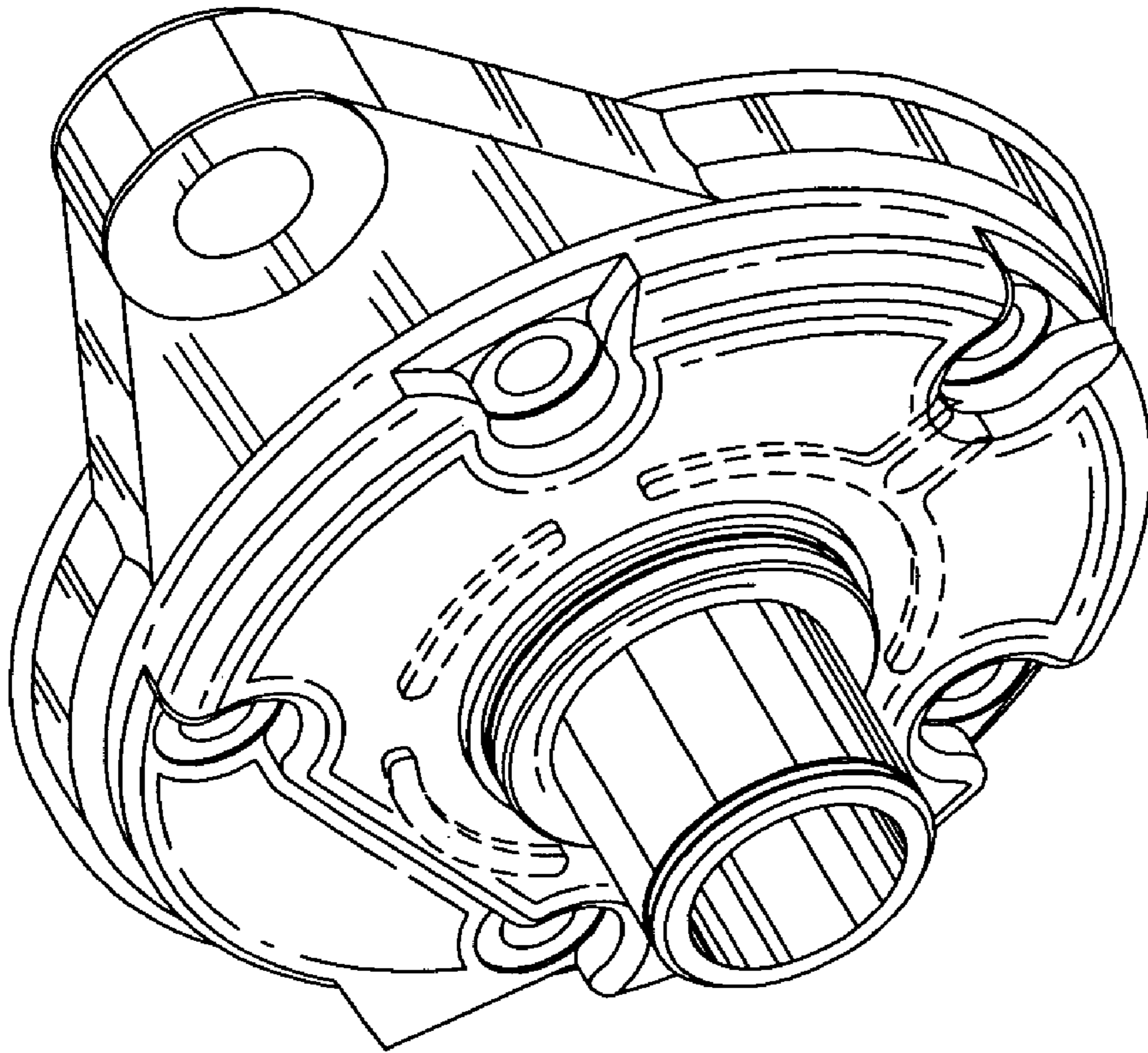


FIG. 9

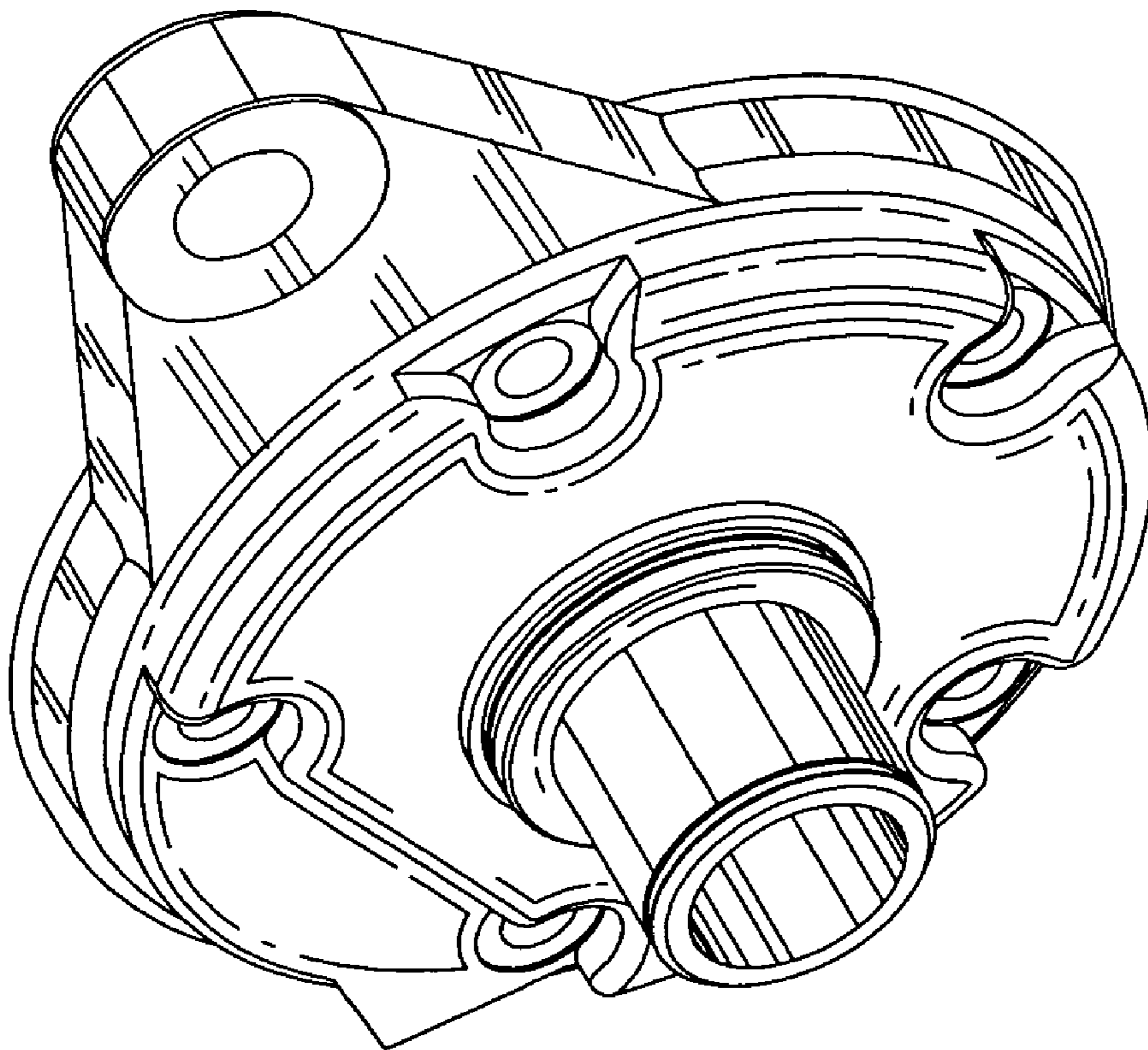


FIG. 8